



US00D909156S

(12) **United States Design Patent** (10) **Patent No.:** **US D909,156 S**
Chen (45) **Date of Patent:** **** Feb. 2, 2021**

(54) **BAR SET STAND**
(71) Applicant: **Yueqing Chengwei Electronic Commerce Co., Ltd., Yueqing (CN)**
(72) Inventor: **Kaiwei Chen, Yueqing (CN)**
(**) Term: **15 Years**
(21) Appl. No.: **29/750,344**
(22) Filed: **Sep. 14, 2020**
(51) **LOC (13) Cl.** **06-04**
(52) **U.S. Cl.**
USPC **D7/701**
(58) **Field of Classification Search**
USPC D7/701, 707, 708, 637-641; D3/313;
D6/512, 552, 672, 569, 682.2, 552.2, 525,
D6/527, 528, 534, 535, 553
CPC A47G 23/0641; A47G 23/06; A47G 23/02;
A47G 23/0208; A47G 23/0241; A47B
73/00; A47B 73/006; A47B 73/008; A47F
5/16; A47F 7/28; A47F 7/283; B25H 3/04
See application file for complete search history.

(56) **References Cited**
U.S. PATENT DOCUMENTS
D127,900 S * 6/1941 Block D6/699
D198,098 S * 4/1964 Kaneko D6/569
D231,594 S * 5/1974 Demers D7/701
D253,084 S * 10/1979 Berger D6/682.4
D253,154 S * 10/1979 Kriesten D6/682.2

4,947,991 A * 8/1990 Snell A47B 13/16
206/427
D329,359 S * 9/1992 Eggen D19/77
D381,515 S * 7/1997 Haynes D24/224
D505,841 S * 6/2005 Fiedeler D6/525
D634,541 S * 3/2011 Gutierrez D3/313
D649,416 S * 11/2011 Tietjen D7/707
D786,029 S * 5/2017 Pannell D7/708
D817,728 S * 5/2018 Brown D7/701

* cited by examiner

Primary Examiner — Terry A Wallace
(74) *Attorney, Agent, or Firm* — ZANIP

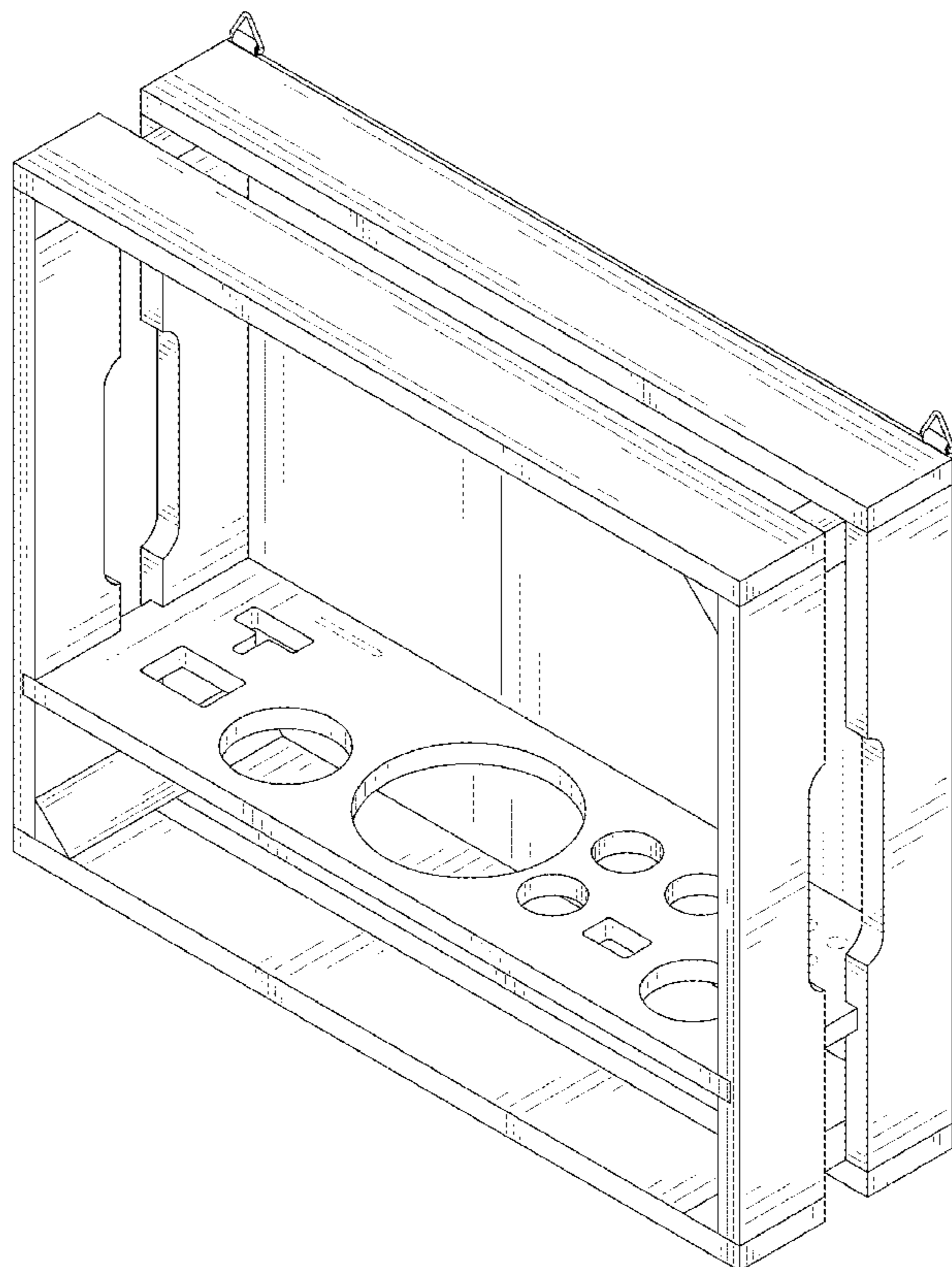
(57) **CLAIM**

The ornamental design for a bar set stand, as shown and described.

DESCRIPTION

FIG. 1 is a front and top perspective view of a bar set stand, showing my new design;
FIG. 2 is a rear and bottom perspective view thereof;
FIG. 3 is a front elevational view thereof;
FIG. 4 is a rear elevational view thereof;
FIG. 5 is a left side elevational view thereof;
FIG. 6 is a right side elevational view thereof;
FIG. 7 is a top plan view thereof; and,
FIG. 8 is a bottom plan view thereof.
The dashed broken lines in the figures illustrate portions of the article that form no part of the claimed design.

1 Claim, 8 Drawing Sheets



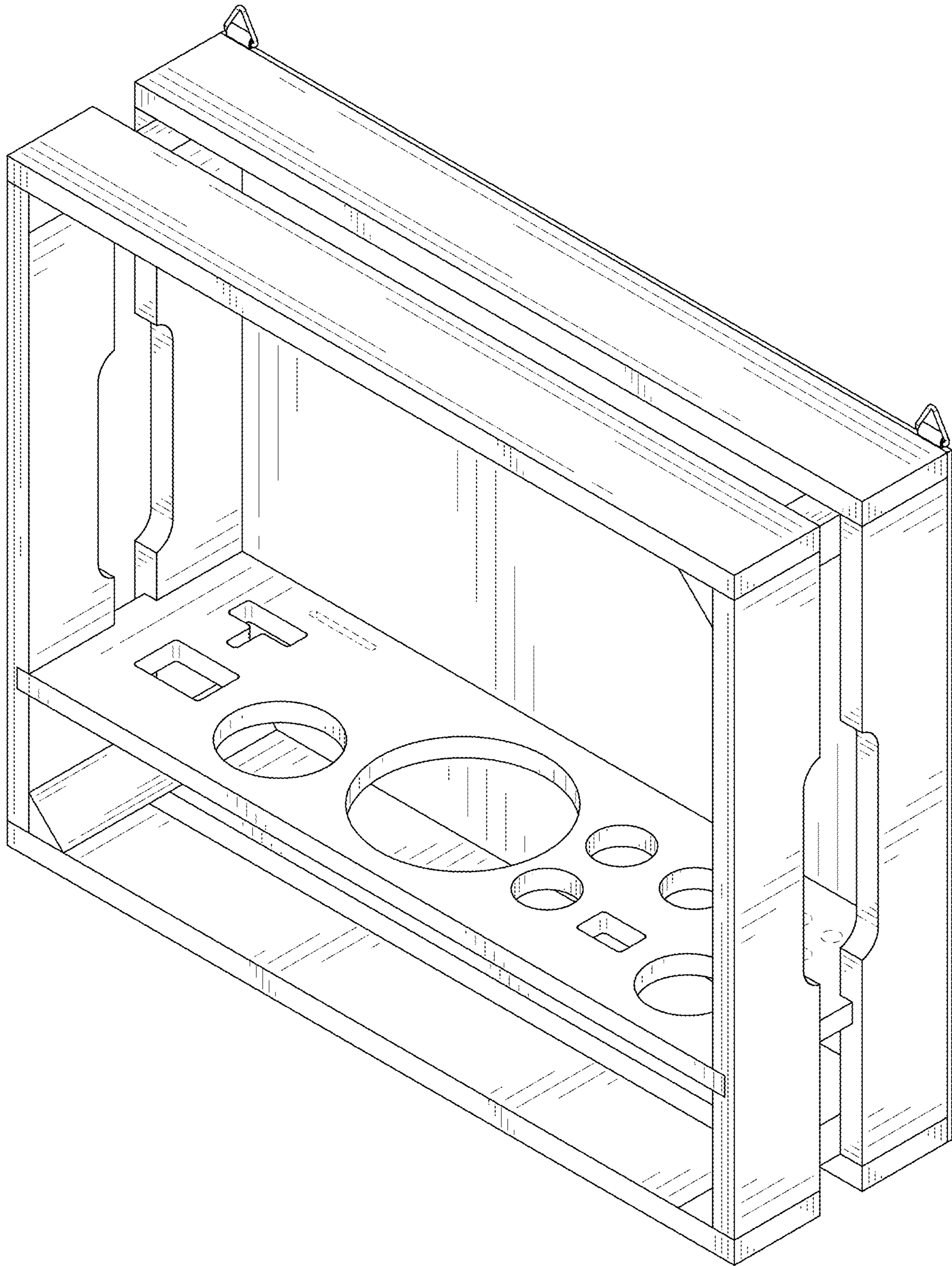


FIG. 1

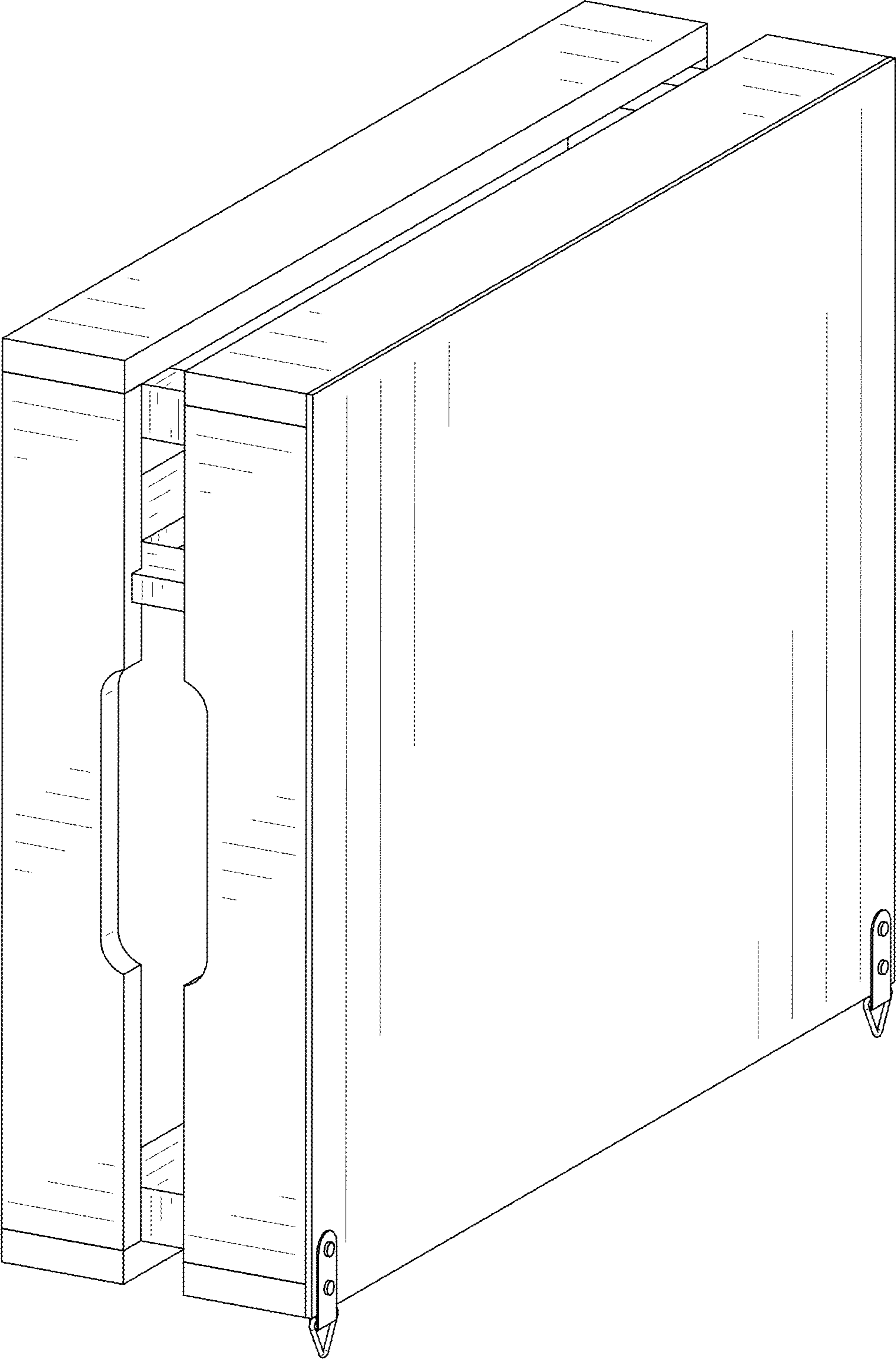


FIG. 2

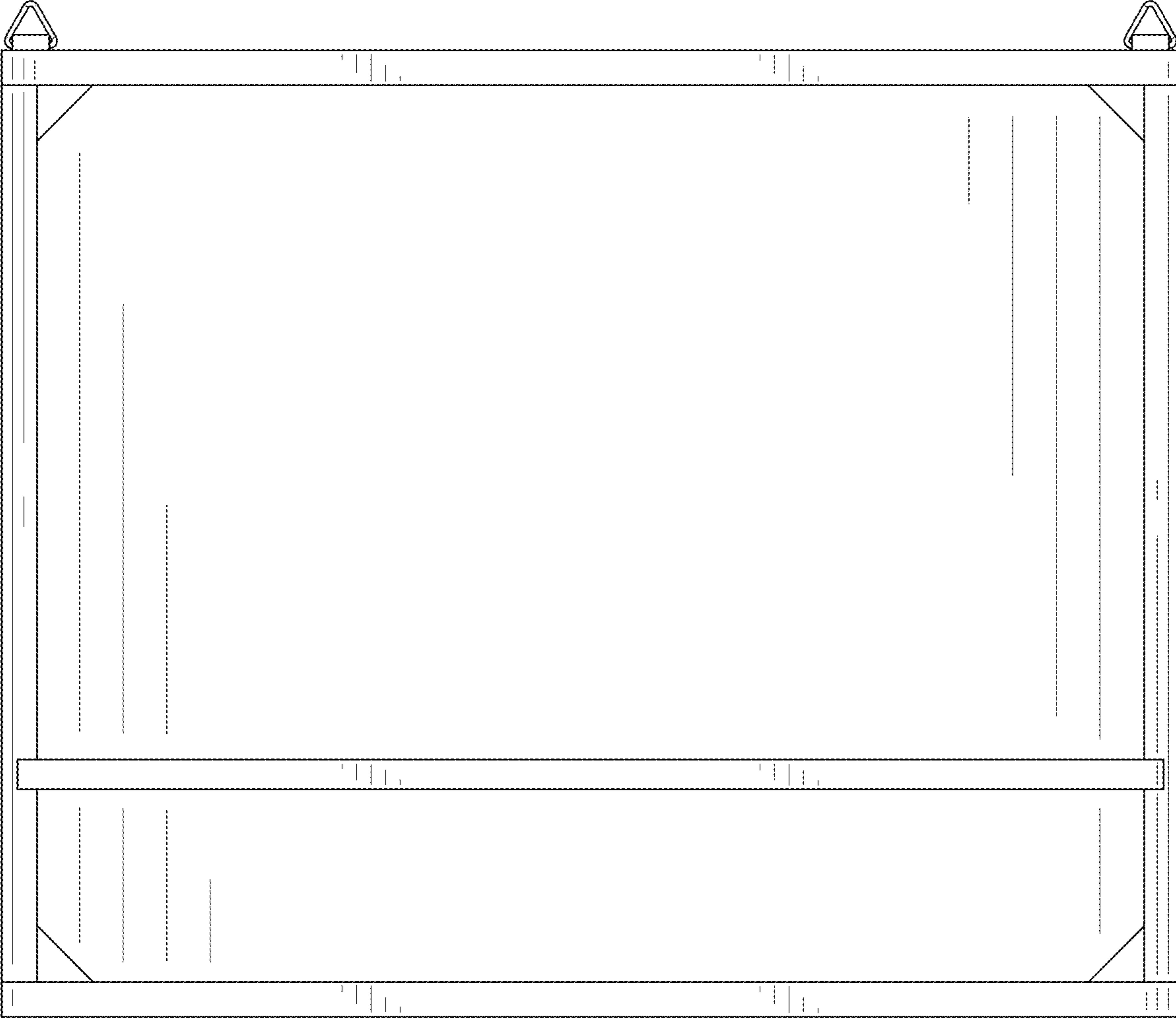


FIG. 3



FIG. 4

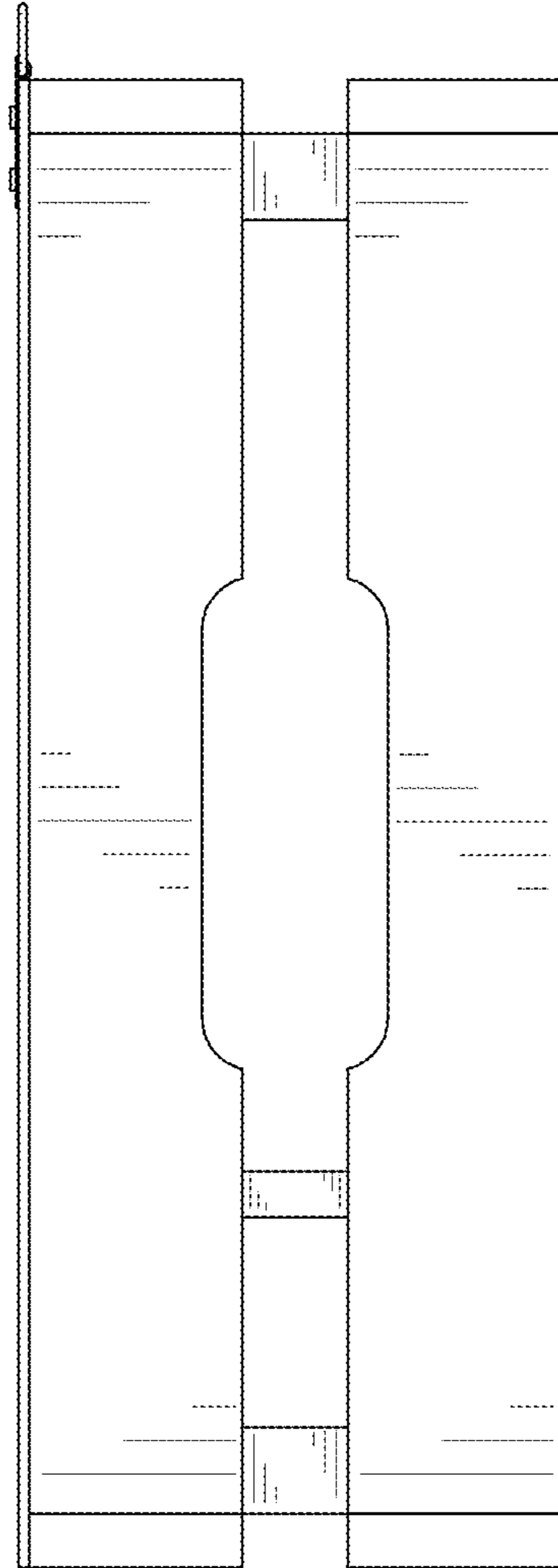


FIG. 5

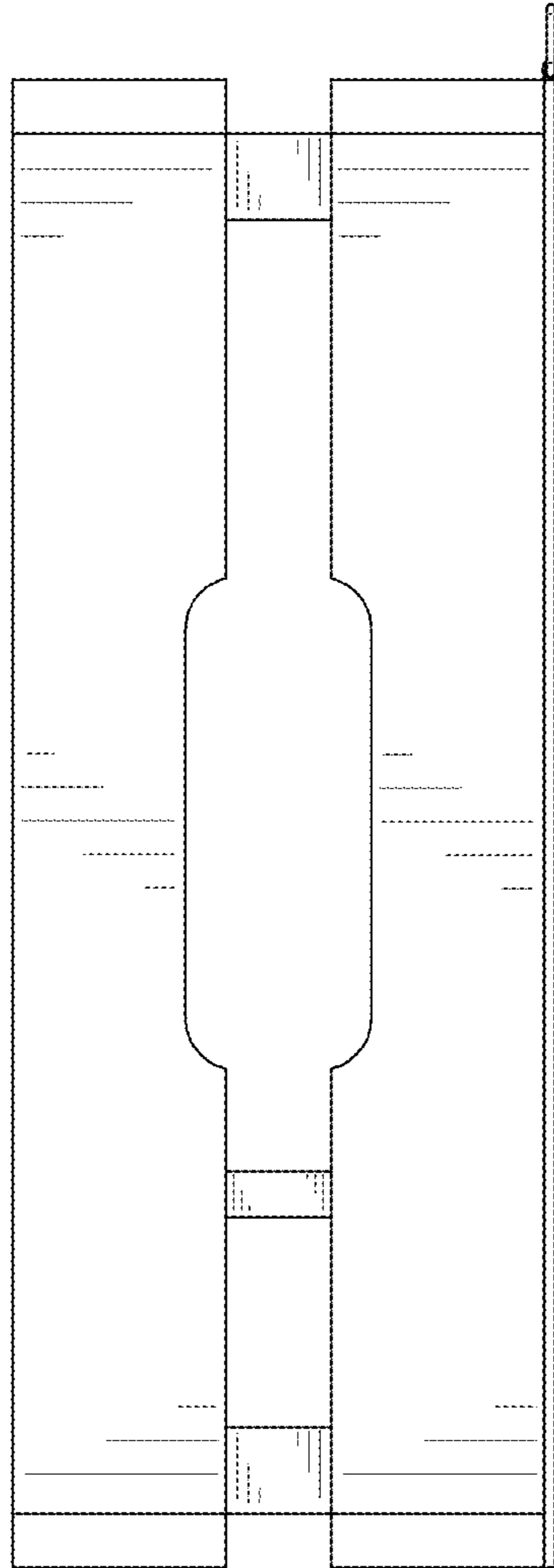


FIG. 6

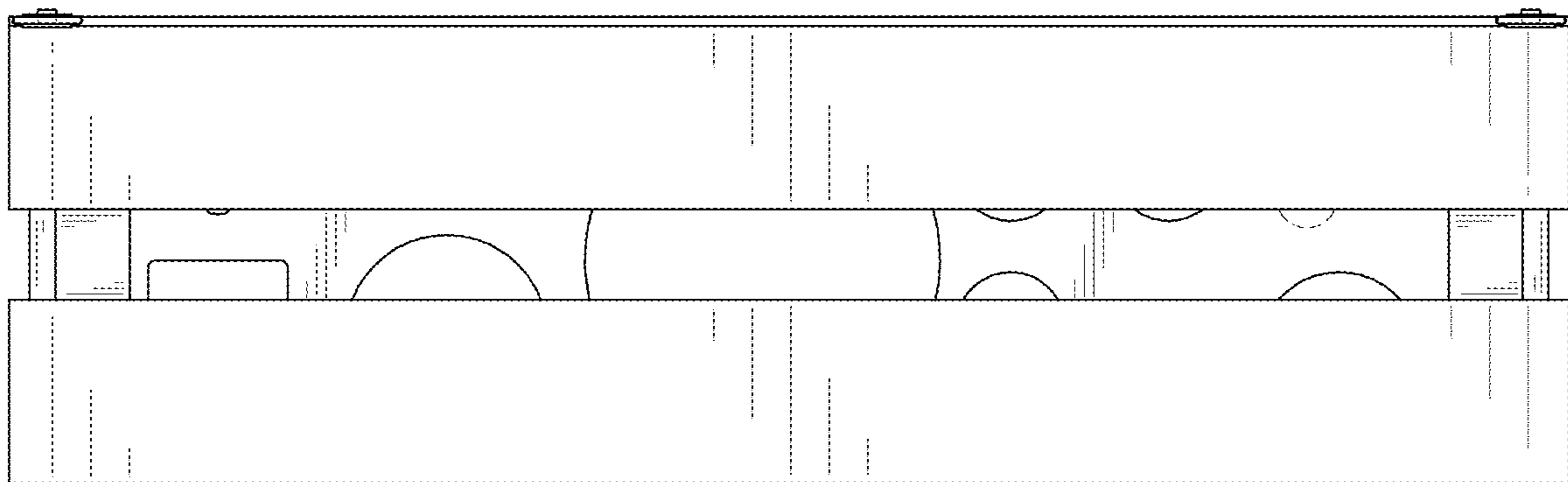


FIG. 7

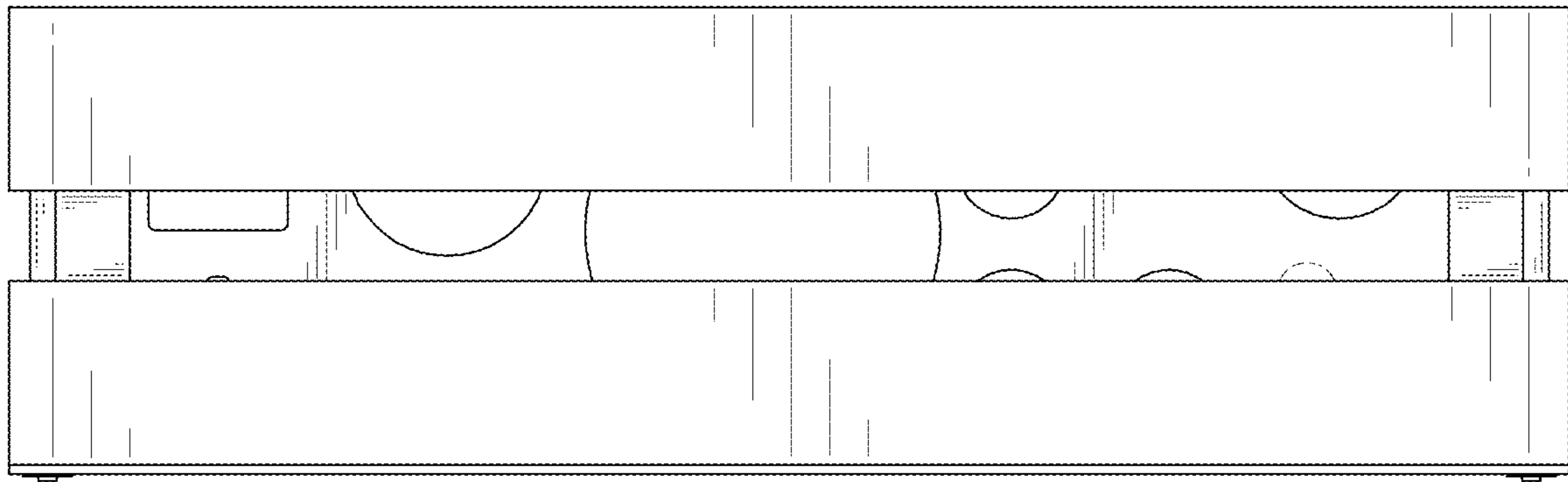


FIG. 8