



US00D909153S

(12) **United States Design Patent** (10) **Patent No.:** **US D909,153 S**  
**Pham** (45) **Date of Patent:** **\*\* Feb. 2, 2021**

(54) **TWO SIDED CHOPPING BOARD WITH STORAGE BOXES**

(71) Applicant: **Liem Pham**, Paxton, CA (US)

(72) Inventor: **Liem Pham**, Paxton, CA (US)

(\*\*) Term: **15 Years**

(21) Appl. No.: **29/699,503**

(22) Filed: **Jul. 26, 2019**

(51) **LOC (13) Cl.** ..... **07-04**

(52) **U.S. Cl.**  
 USPC ..... **D7/698**

(58) **Field of Classification Search**  
 USPC ..... D7/543, 549, 550.1, 586, 693, 698-699;  
 D32/55-57  
 CPC ..... A47B 77/02; A47J 47/00; A47J 47/005;  
 A47J 47/20; B25H 1/00; B25H 1/04;  
 B25H 1/12; B26D 7/0006; B26D 7/018;  
 B26D 7/20; B23D 21/00; B23K 37/04;  
 B23K 37/053; B23Q 16/001  
 See application file for complete search history.

(56) **References Cited**

**U.S. PATENT DOCUMENTS**

D267,463 S \* 1/1983 Thompson ..... D6/664  
 D283,777 S \* 5/1986 Morin ..... D6/406.6  
 5,363,755 A \* 11/1994 Liang ..... A47B 77/02  
 241/273.2  
 6,006,502 A \* 12/1999 Smith ..... B25H 1/04  
 206/225  
 6,026,972 A \* 2/2000 Makowski ..... A47J 47/005  
 220/495.08  
 6,341,770 B1 \* 1/2002 Landherr ..... A47J 47/005  
 269/289 R  
 D587,031 S \* 2/2009 Pourounidis ..... A47J 47/005  
 D7/698  
 D655,939 S \* 3/2012 Tracy ..... D7/698

8,251,357 B2 \* 8/2012 Young ..... A47J 47/005  
 269/15  
 D694,593 S \* 12/2013 Shofet ..... D7/698  
 D852,010 S \* 6/2019 Banovic ..... D7/693  
 D883,044 S \* 5/2020 Poon ..... D7/698  
 2015/0076974 A1 \* 3/2015 Schreiter ..... B25H 1/12  
 312/140.4

\* cited by examiner

*Primary Examiner* — Ricky Pham

(57) **CLAIM**

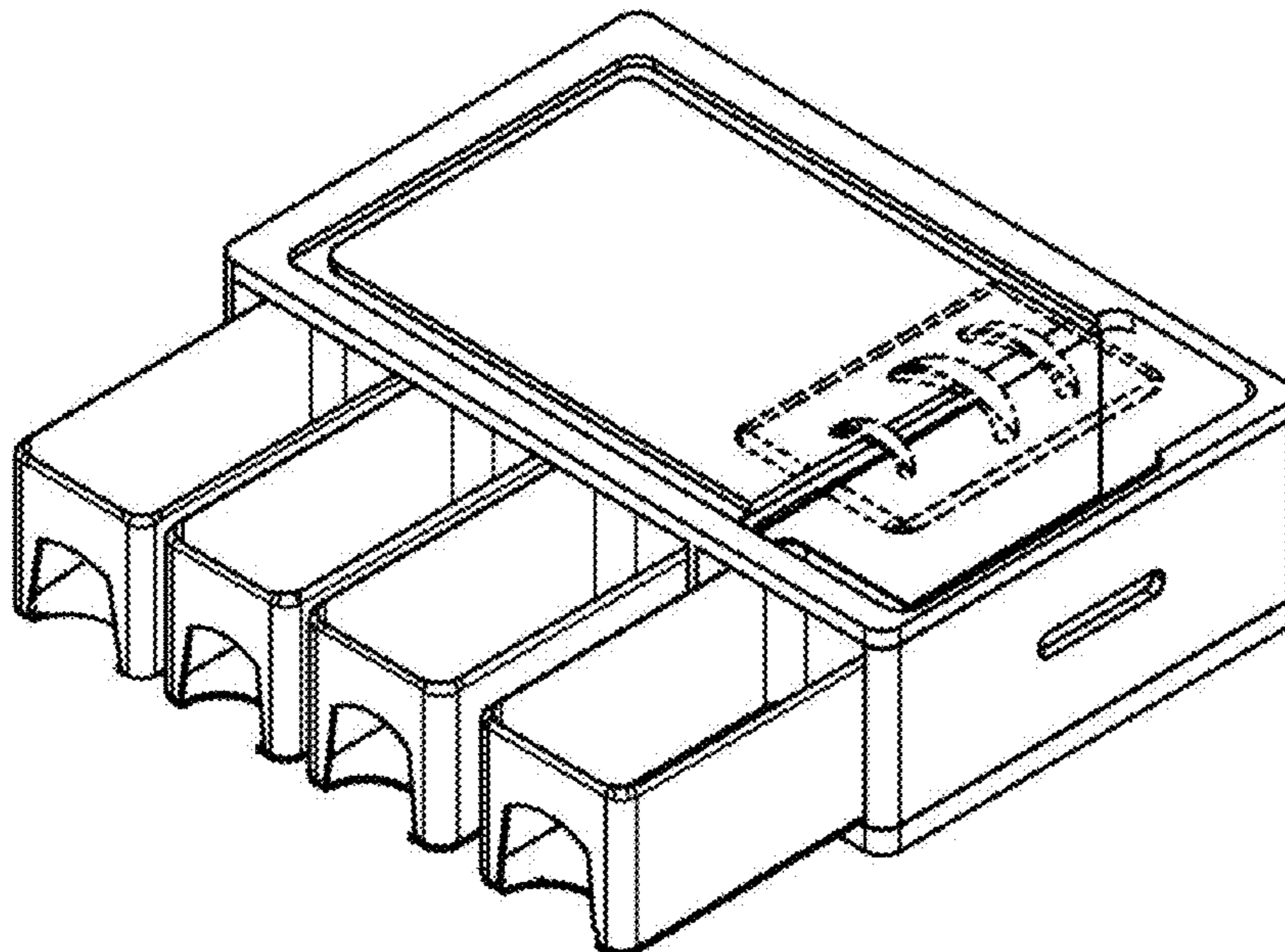
I claim the ornamental design for a two sided chopping board with storage boxes, as shown and described.

**DESCRIPTION**

FIG. 1 is a perspective view of a two sided chopping board with storage boxes, showing my new design;  
 FIG. 2 is perspective view thereof;  
 FIG. 3 is a front elevational view thereof;  
 FIG. 4 is alternate position perspective view thereof;  
 FIG. 5 is a left side elevational view thereof;  
 FIG. 6 is a right side elevational view thereof;  
 FIG. 7 is a rear elevational view thereof;  
 FIG. 8 is a top plan view thereof; and,  
 FIG. 9 is a bottom elevational view thereof.

The broken lines shown in the drawings are for illustrative purposes only and form no part of the claimed design.  
 Present invention relates to design of a chopping board which can be used by both sides, there is space for putting up to 4 identical removable boxes inside chopping board, same chopping board also facilitates cavity to fit vegetable grater/cutter at top right side.

**1 Claim, 6 Drawing Sheets**



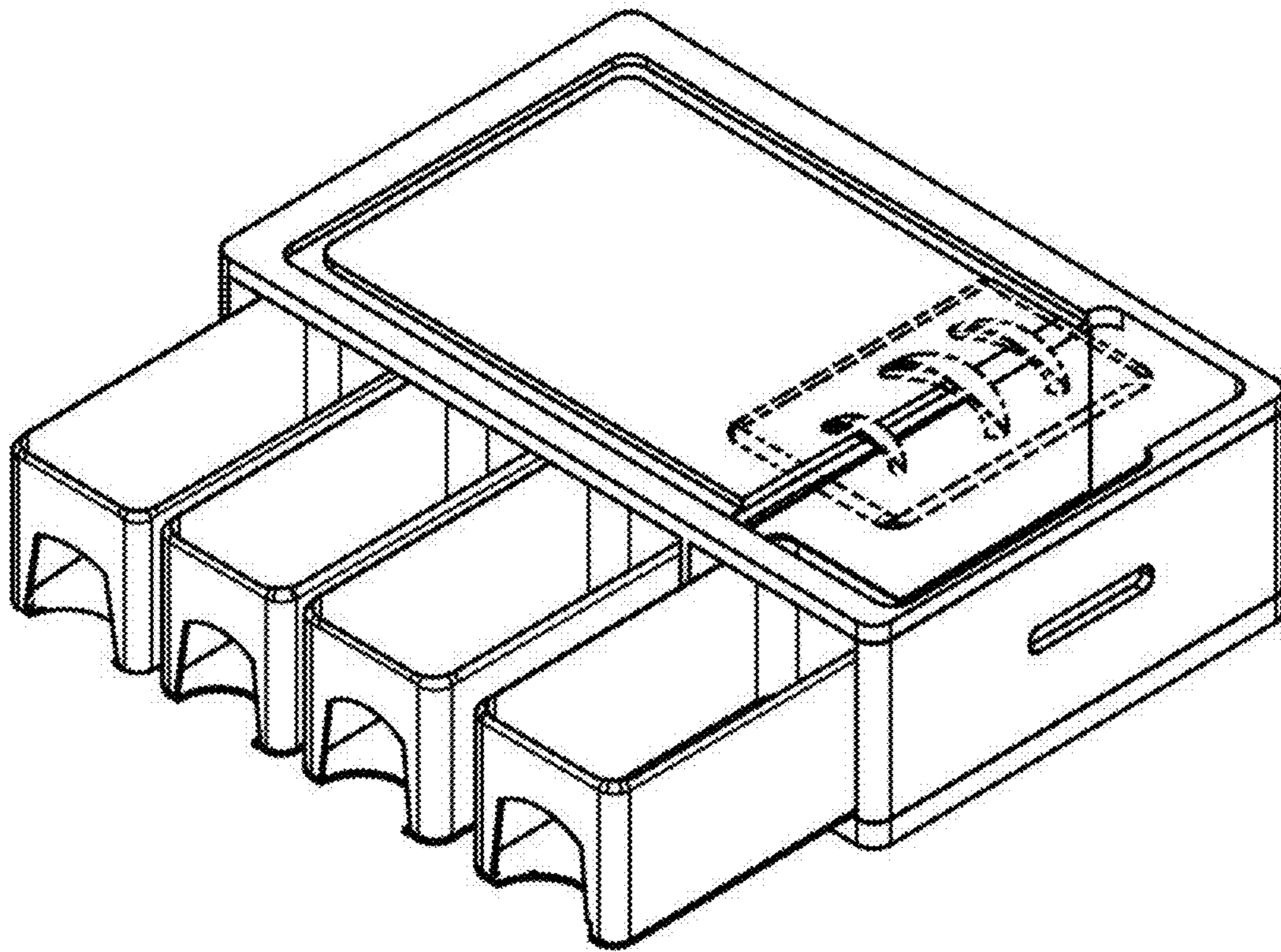


FIG. 1



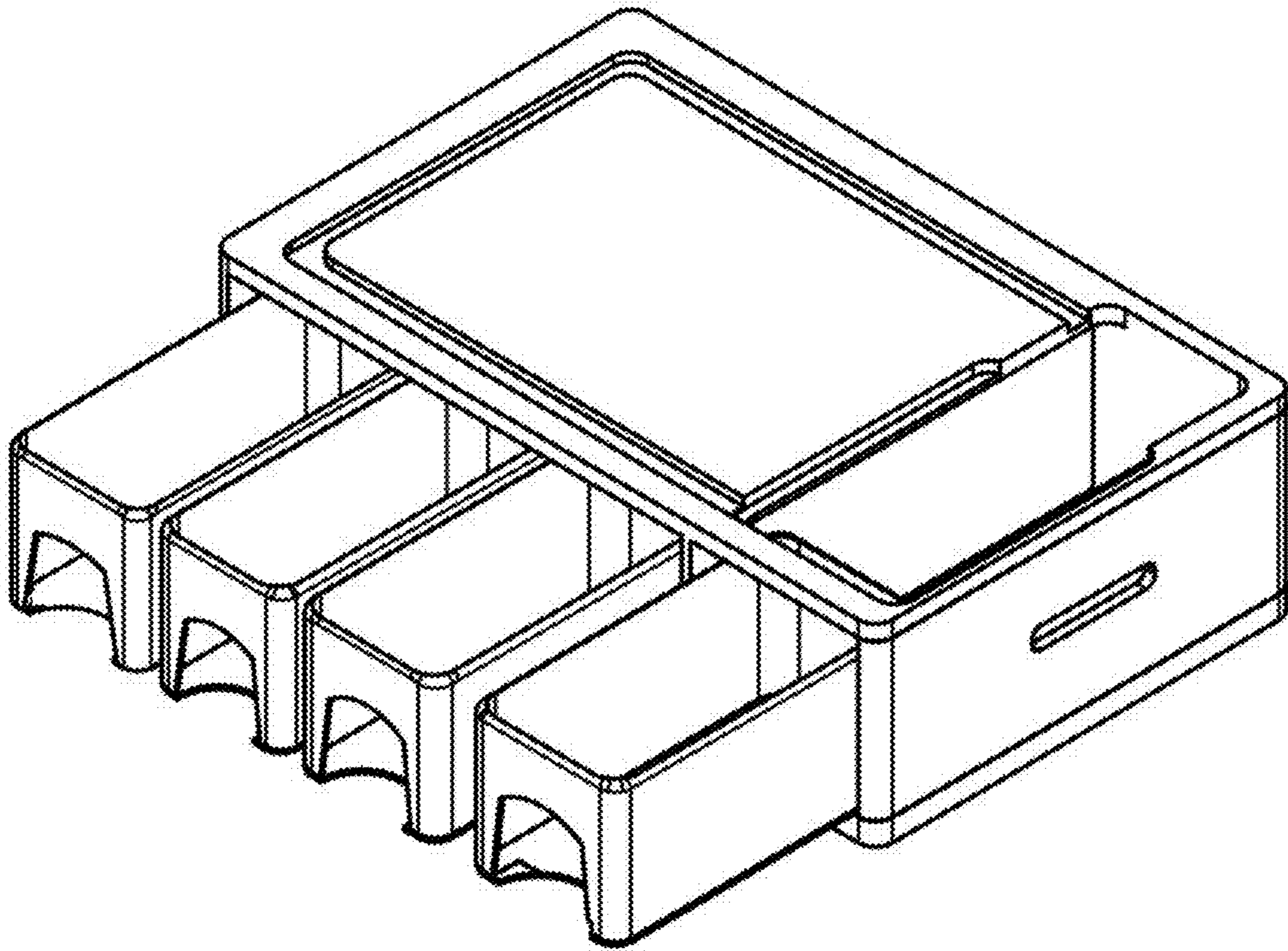


FIG. 2

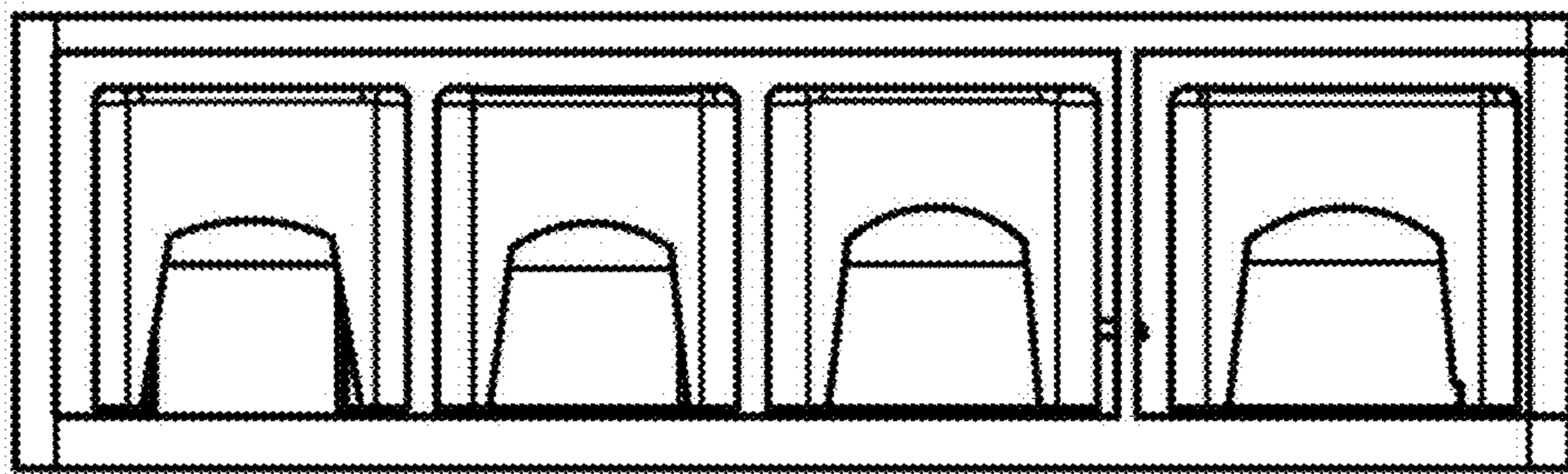


FIG. 3

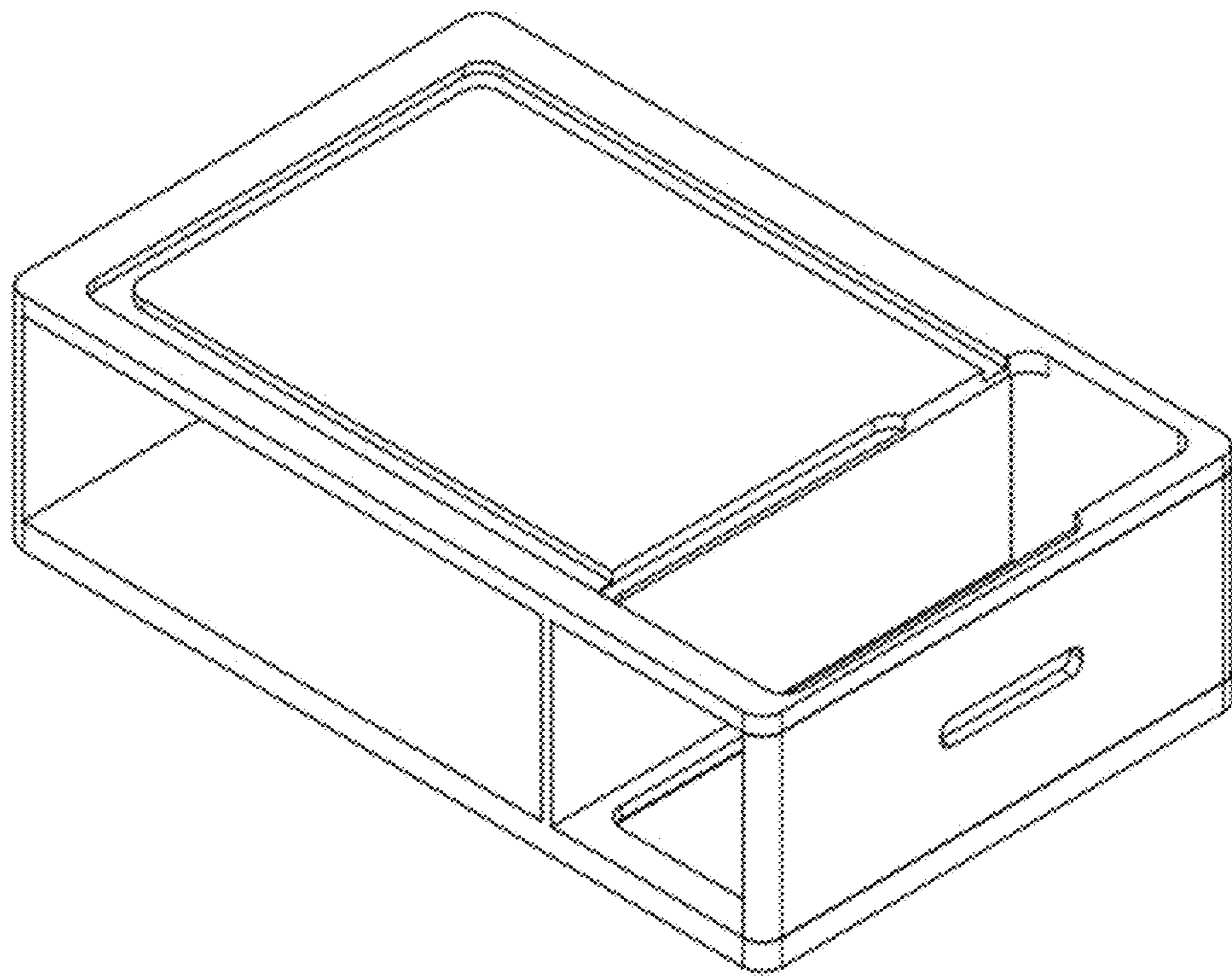


FIG. 4

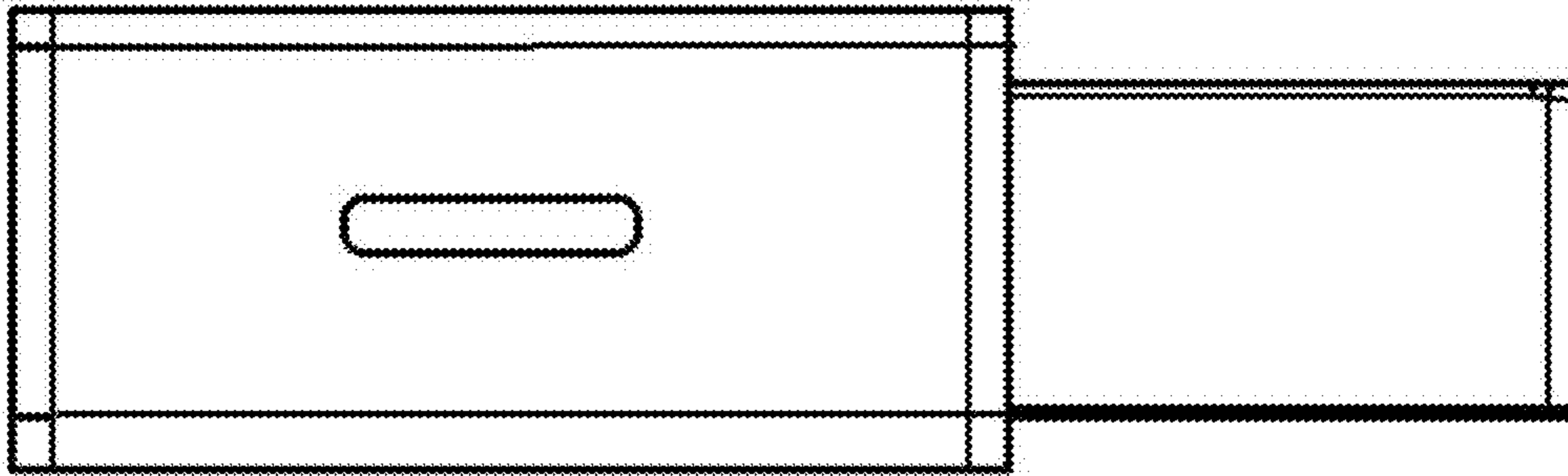


FIG. 5

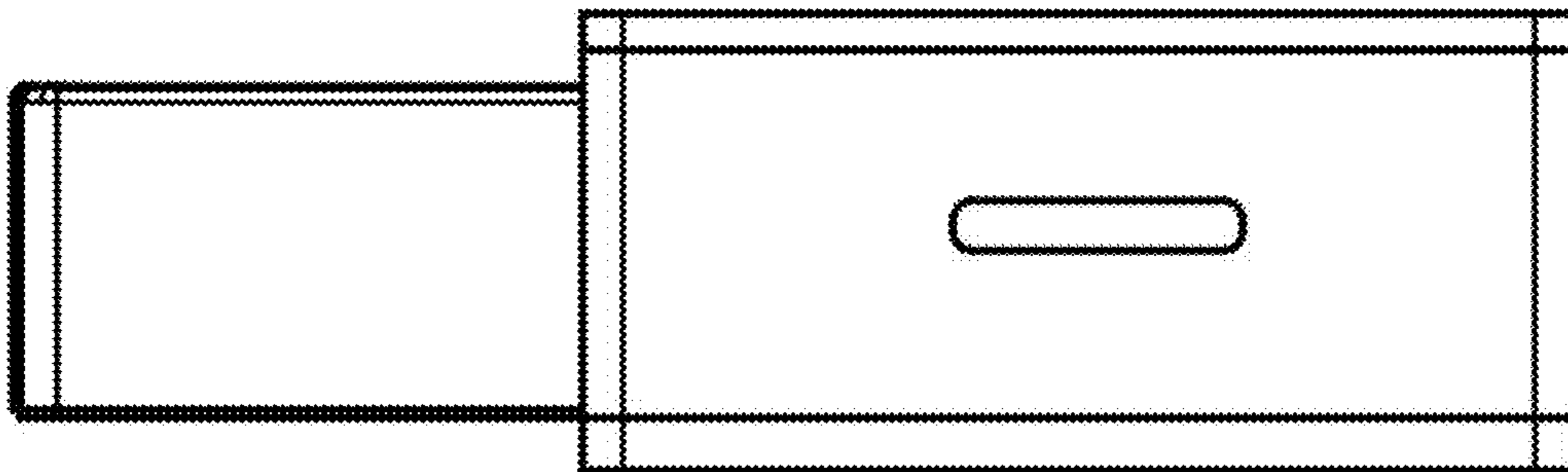


FIG. 6



FIG. 7

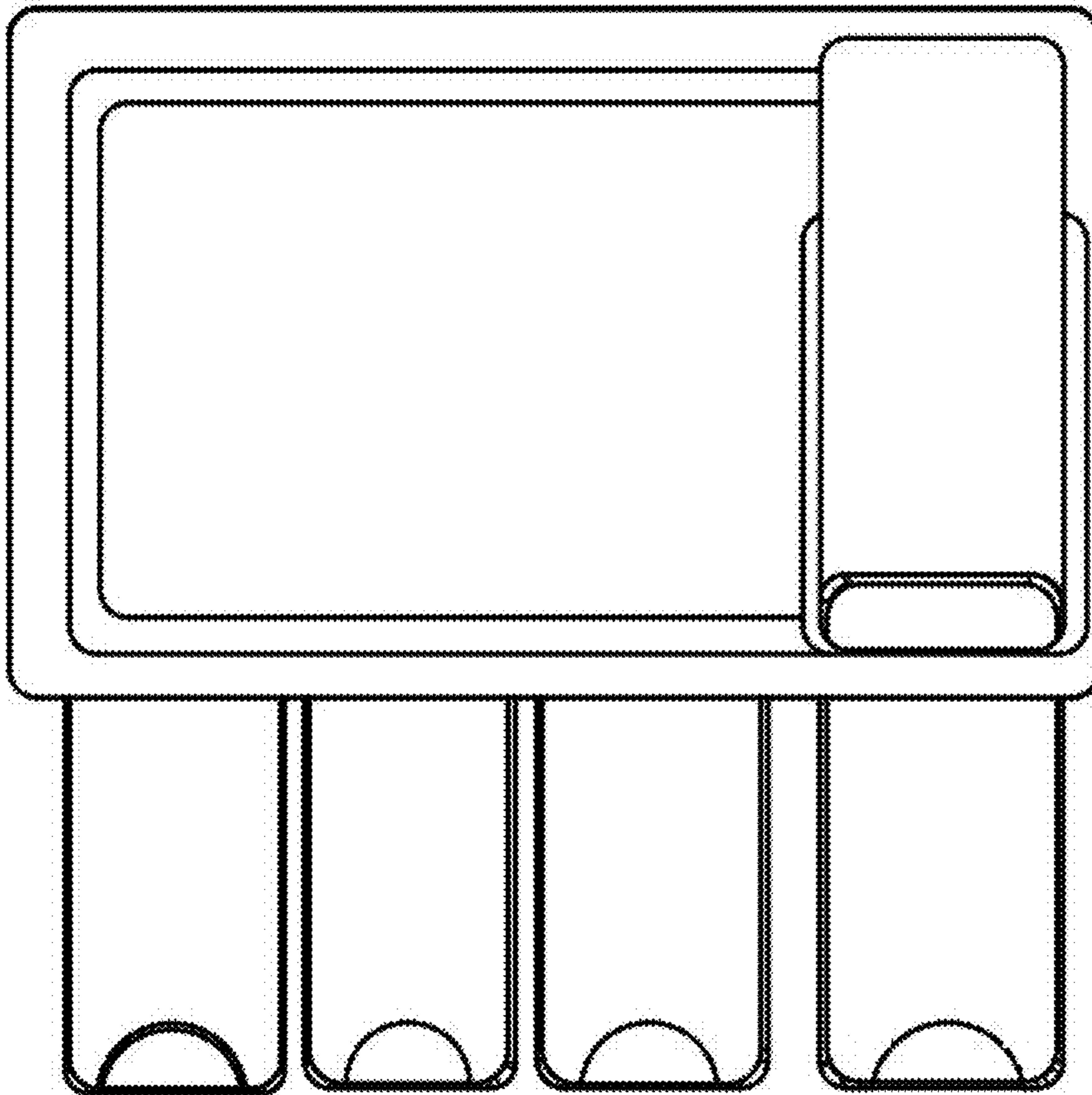


FIG. 8

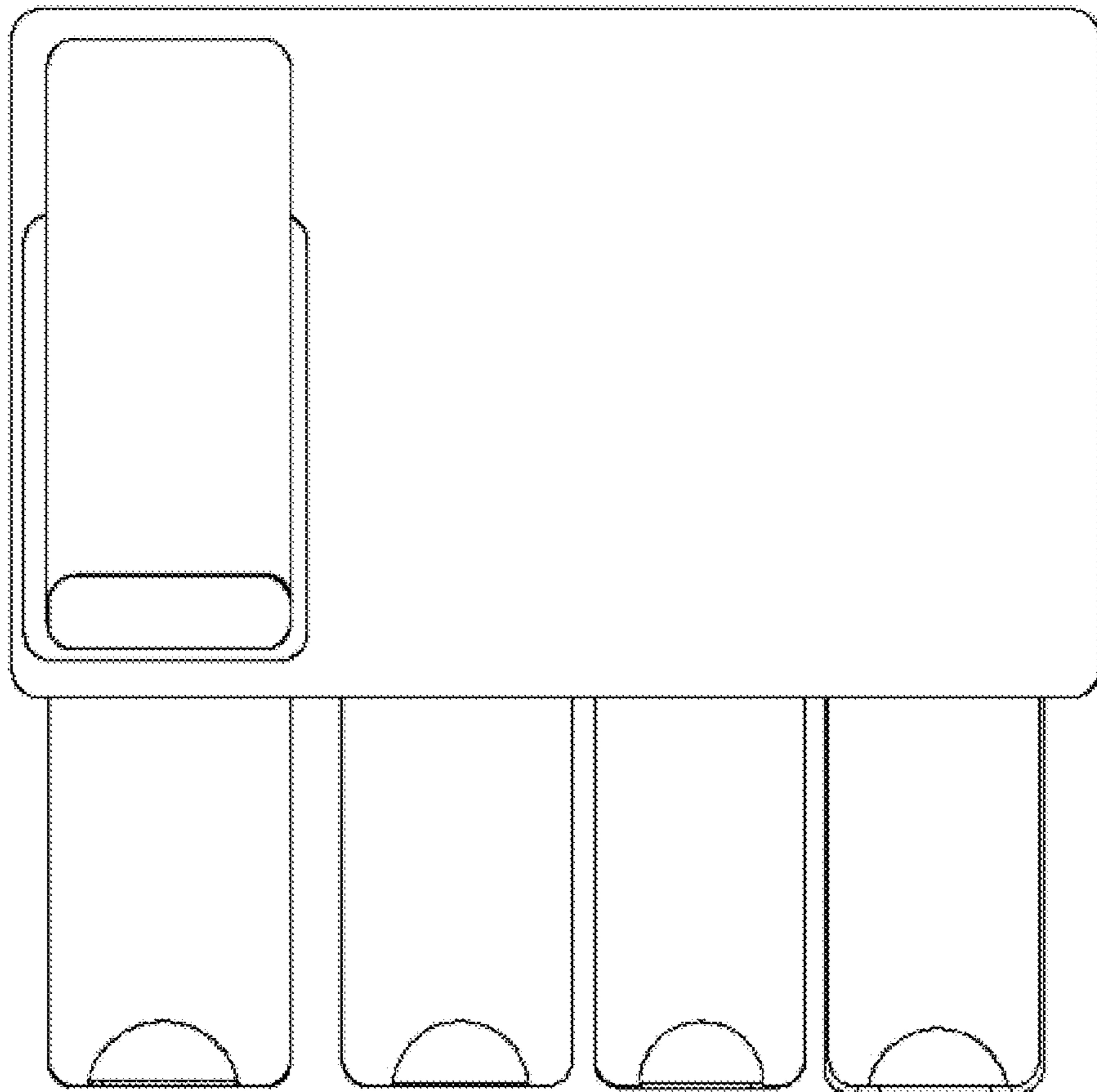


FIG. 9