

US00D909151S

(12) **United States Design Patent** (10) **Patent No.:** **US D909,151 S**
Glanville (45) **Date of Patent:** **** Feb. 2, 2021**

(54) **COOKING UTENSIL**

(71) Applicant: **Pit Barrel Cooker Co, LLC**,
Louisville, KY (US)
(72) Inventor: **Noah E Glanville**, Prospect, KY (US)
(**) Term: **15 Years**

(21) Appl. No.: **29/699,735**

(22) Filed: **Jul. 29, 2019**

(51) **LOC (13) Cl.** **07-06**

(52) **U.S. Cl.**
USPC **D7/686**

(58) **Field of Classification Search**

USPC D7/680-697; D8/40
CPC A47J 43/283; A47G 21/10; A47G 21/103;
A47G 21/106; B81C 99/002; B25B 9/00;
B25B 9/02; B25J 7/00

See application file for complete search history.

(56) **References Cited**

U.S. PATENT DOCUMENTS

D481,915 S *	11/2003	Mezger-Boehringer	D7/686
D546,141 S *	7/2007	Broome	D7/686
D628,029 S *	11/2010	Rothman	D7/686
D673,819 S *	1/2013	Staib	D7/686
D711,696 S *	8/2014	Difante	D7/686
D759,441 S *	6/2016	Schuler	D7/686
D773,240 S *	12/2016	Zemel	D7/393
D863,901 S *	10/2019	Knittig	D7/686
2006/0157996 A1 *	7/2006	McRorie, III	A47G 21/10 294/16
2009/0134055 A1 *	5/2009	Spellman	A47G 21/10 206/553
2018/0360273 A1 *	12/2018	Bergin	A47J 43/283

FOREIGN PATENT DOCUMENTS

CN 201830075889 * 2/2018

OTHER PUBLICATIONS

Stainless Steel Salad Tongs BBQ Kitchen Cooking Food Serving Utensil tong. Online, published date unknown. Retrieved on Nov. 4, 2020 from URL: <https://www.ebay.com/itm/STAINLESS-STEEL-SALAD-TONGS-BBQ-Kitchen-Cooking-Food-Serving-Utensil-tong-/233628884193> (Year: 2020).*

* cited by examiner

Primary Examiner — Janice Hallmark

Assistant Examiner — Omeed Agilee

(74) *Attorney, Agent, or Firm* — Reilly Intellectual Property Law Firm

(57) **CLAIM**

The ornamental design for a cooking utensil, as shown and described.

DESCRIPTION

FIG. 1 is a perspective view of a cooking utensil, showing my new design;

FIG. 2 is a front view of FIG. 1;

FIG. 3 is a rear view of FIG. 1;

FIG. 4 is a side view of FIG. 1;

FIG. 5 is an opposite side view of FIG. 4;

FIG. 6 is a top view of FIG. 1;

FIG. 7 is a front view of FIG. 1 showing the design in a closed orientation;

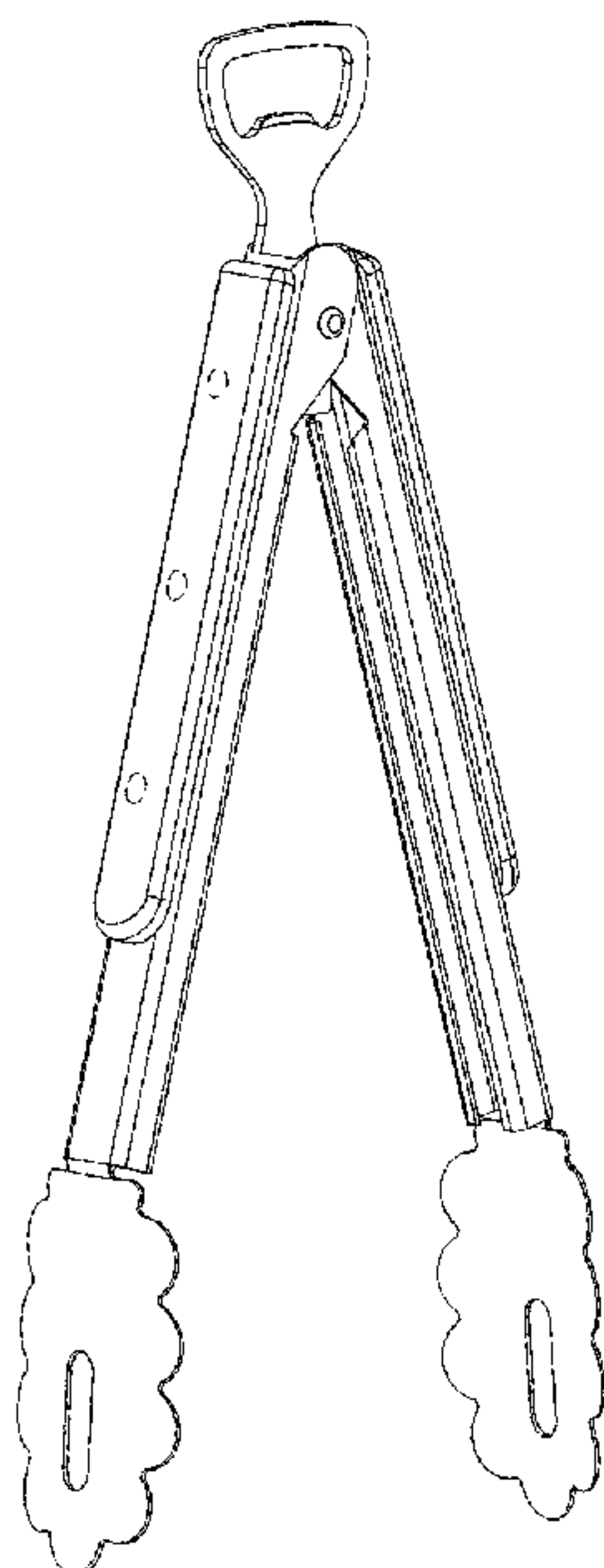
FIG. 8 is a rear view of FIG. 7;

FIG. 9 is a side view of FIG. 7; and,

FIG. 10 is a bottom view of FIG. 1.

The broken line portion of FIGS. 1, 4, 5, 6, 9 and 10 is included to show environment that form no part of the claim design.

1 Claim, 10 Drawing Sheets



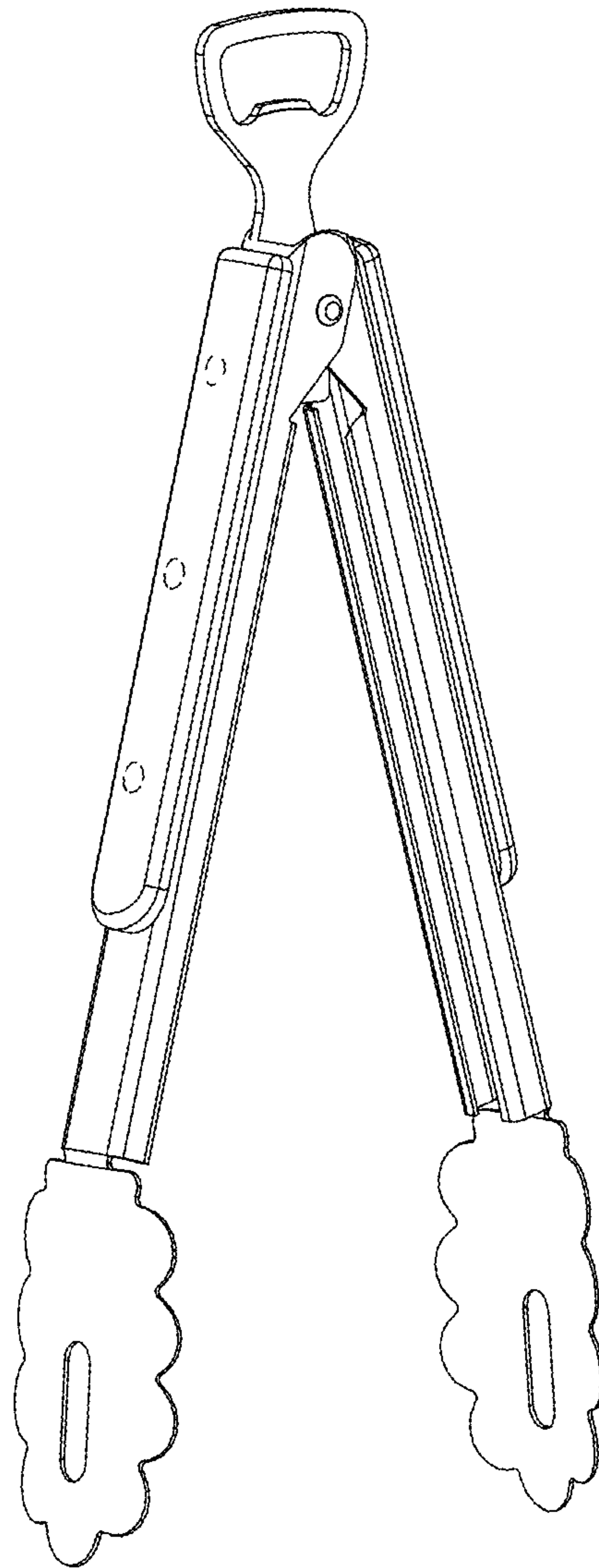


Fig. 1

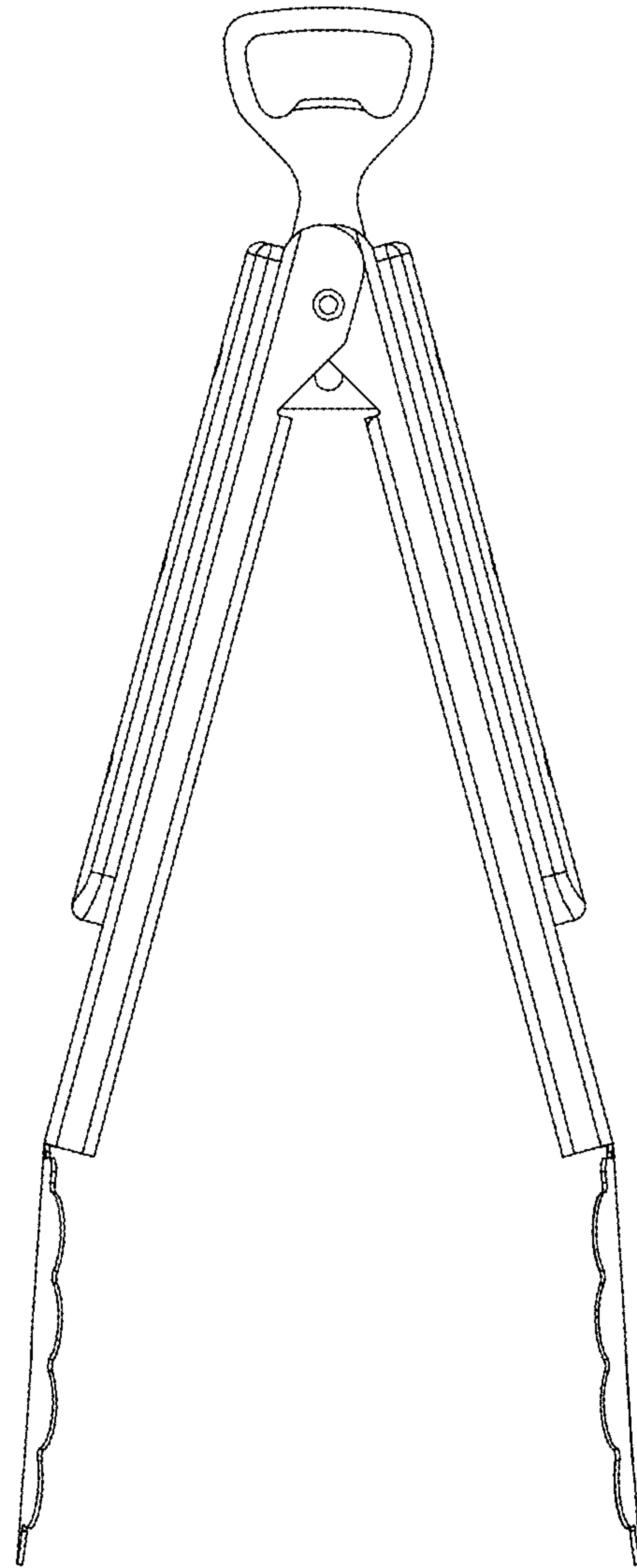


Fig. 2

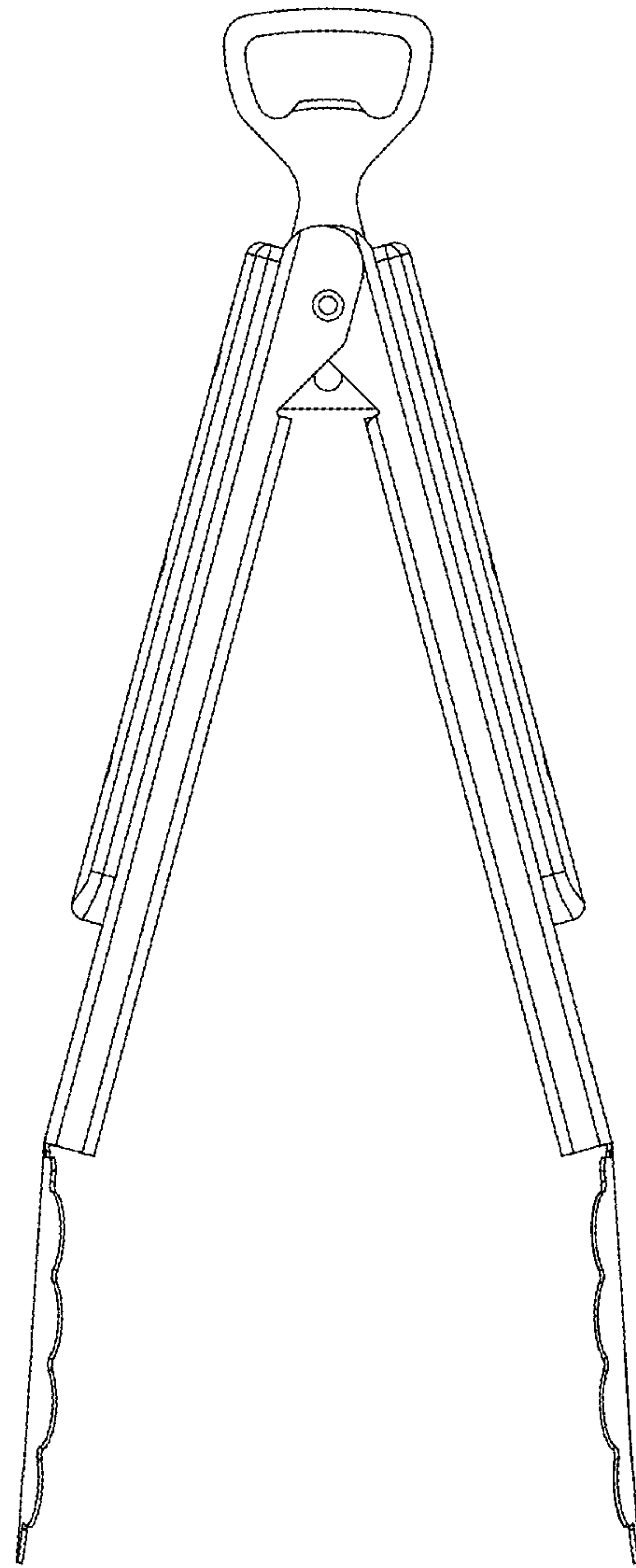


Fig. 3

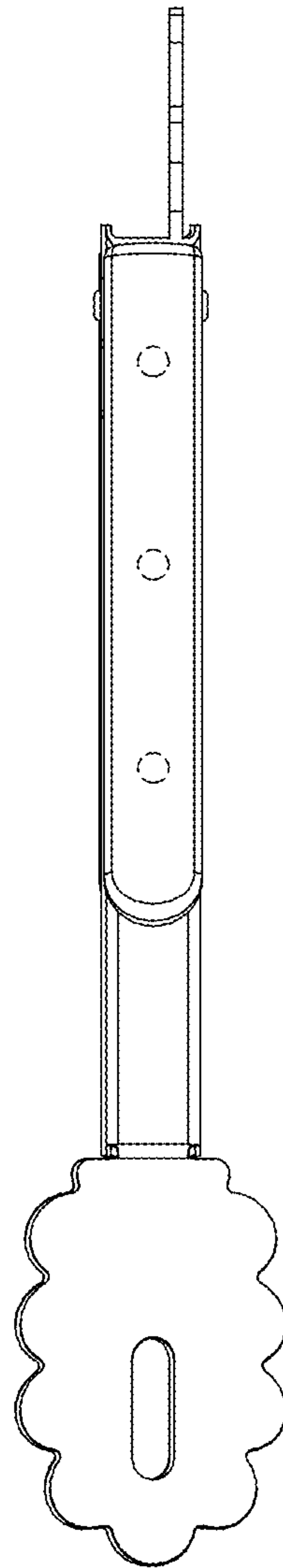


Fig. 4

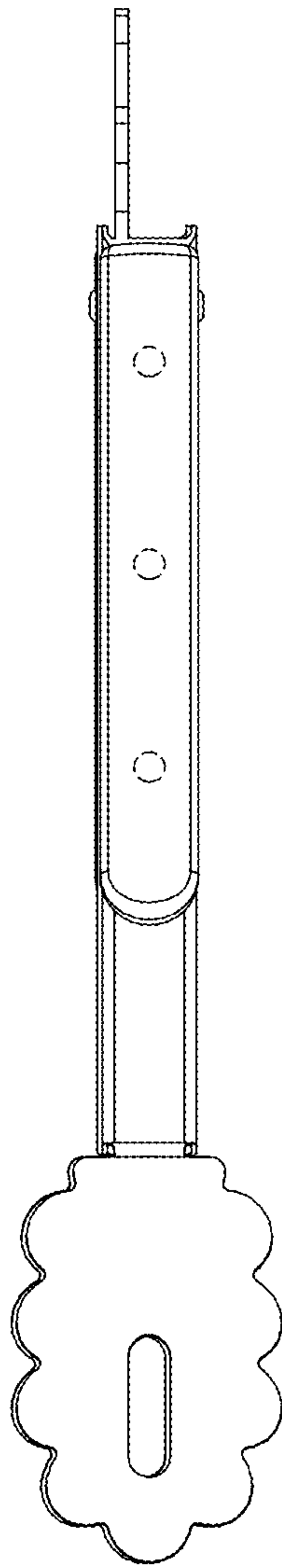


Fig. 5

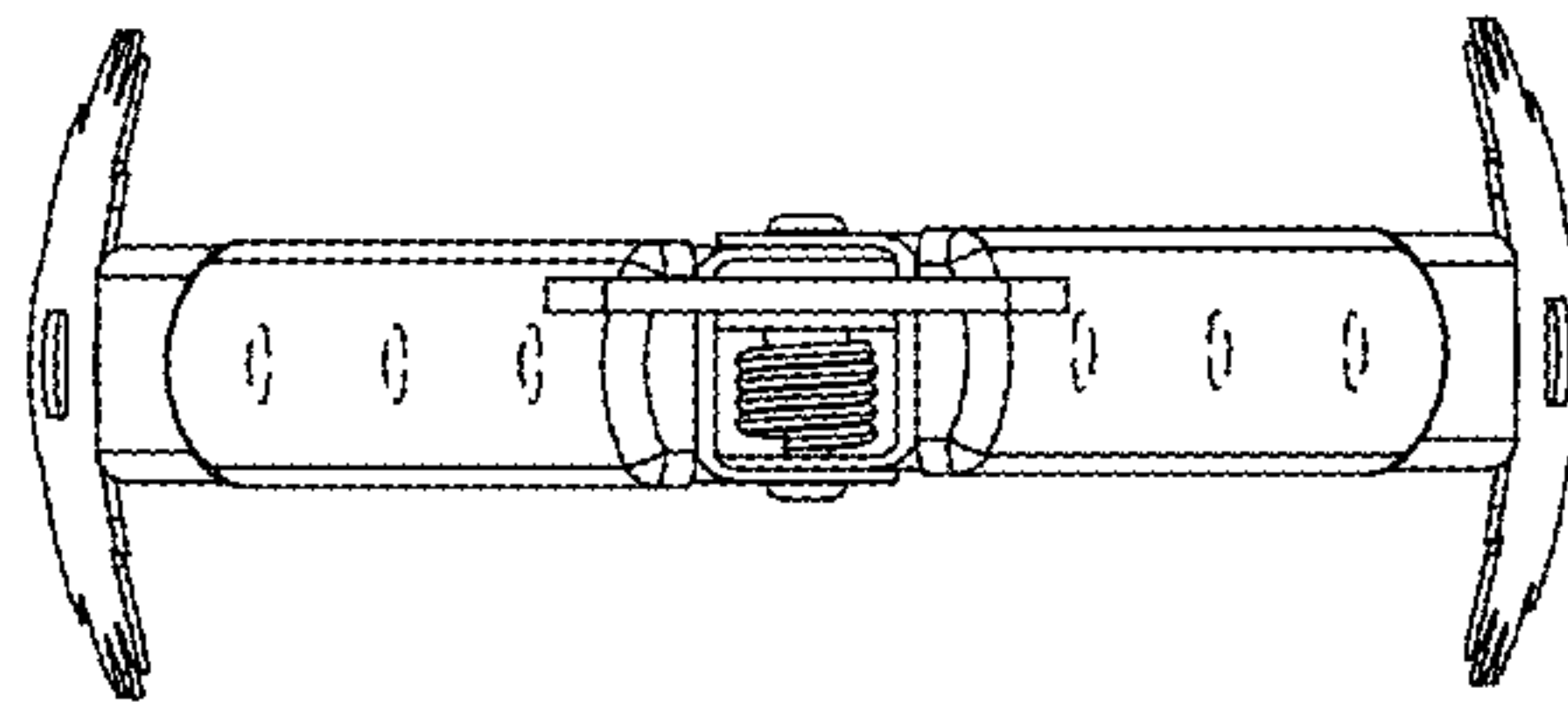


Fig. 6

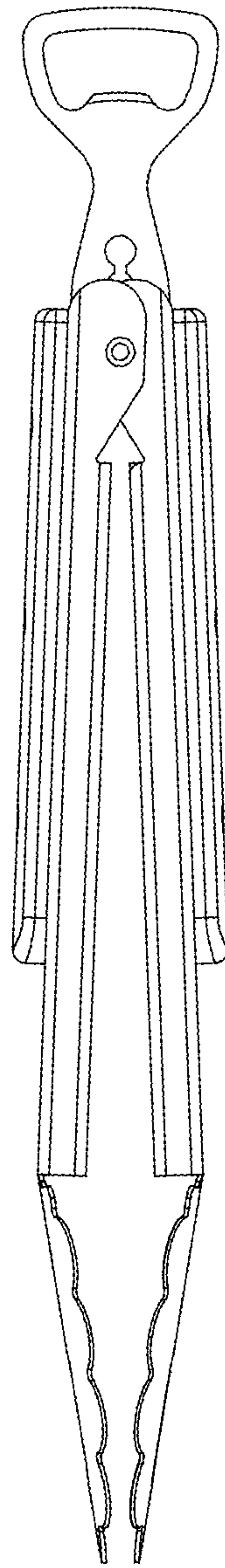


Fig. 7

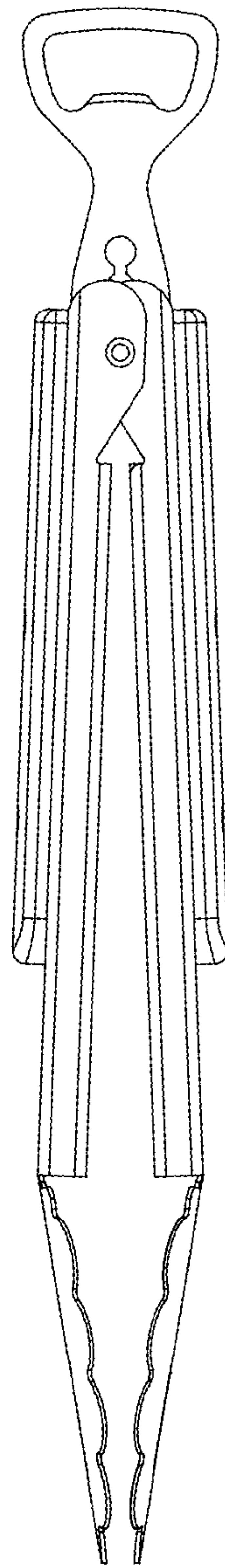


Fig. 8

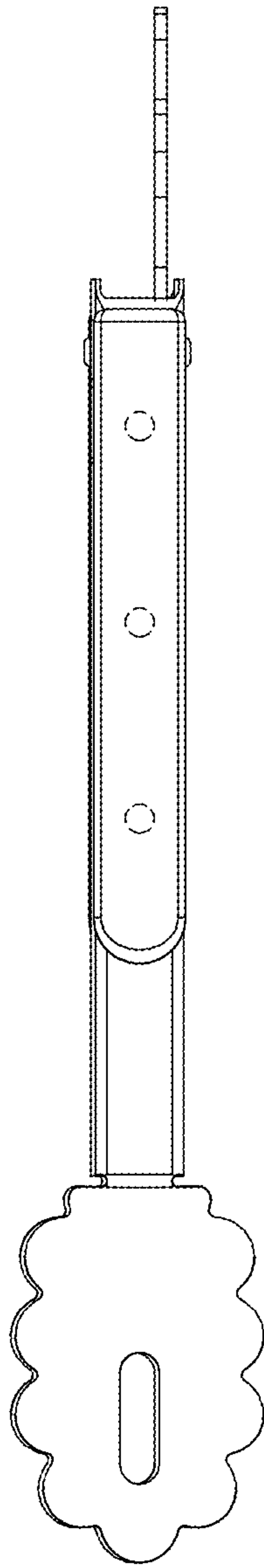


Fig. 9

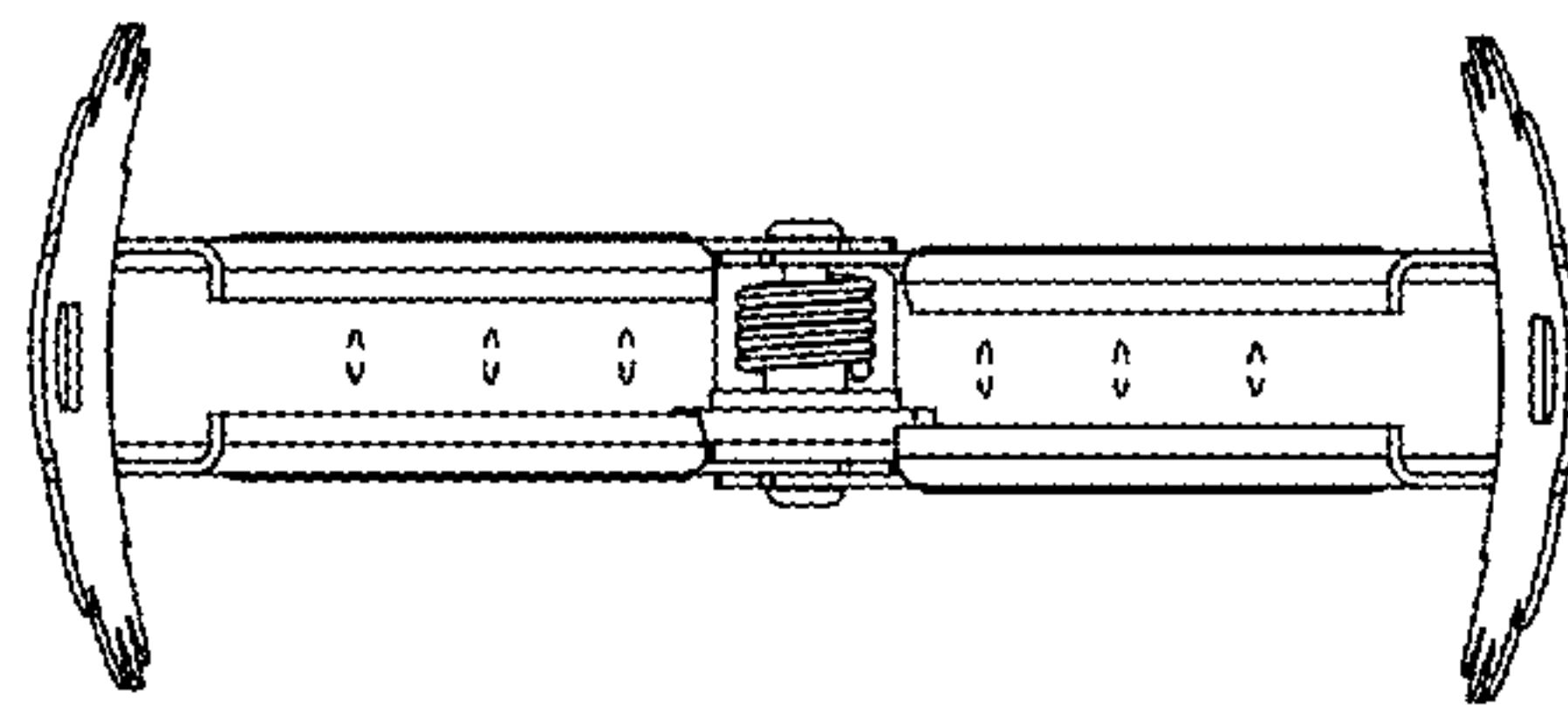


Fig. 10