



US00D909147S

(12) **United States Design Patent** (10) **Patent No.:** **US D909,147 S**
Lacotta et al. (45) **Date of Patent:** **** Feb. 2, 2021**

(54) **SPOON**
(71) Applicants: **Paul Lacotta**, Tenafly, NJ (US); **Lance Hazelton**, Maplewood, NJ (US); **Phillip Shook**, Brooklyn, NY (US)
(72) Inventors: **Paul Lacotta**, Tenafly, NJ (US); **Lance Hazelton**, Maplewood, NJ (US); **Phillip Shook**, Brooklyn, NY (US)
(73) Assignee: **Helen of Troy Limited**, St. Michael (BB)

D234,017 S * 12/1974 Hubert D7/653
D301,533 S * 6/1989 Zimmerman D7/647
D482,578 S * 11/2003 Kortleven D7/692
D491,419 S * 6/2004 White D7/653
D617,156 S * 6/2010 Griffith D7/688
D618,070 S * 6/2010 Jalet D7/691
D676,286 S * 2/2013 Lion D7/653
D706,586 S * 6/2014 Kestenbaum D7/688
D838,430 S * 1/2019 Catania D1/106
2004/0092981 A1 * 5/2004 Barlow A61B 17/244
606/161
2008/0206408 A1 * 8/2008 Amit A47G 19/16
426/82

(**) Term: **15 Years**
(21) Appl. No.: **29/702,407**
(22) Filed: **Aug. 19, 2019**
(51) **LOC (13) Cl.** **07-03**
(52) **U.S. Cl.**
USPC **D7/653; D7/401.2**
(58) **Field of Classification Search**
USPC D1/106; D7/368, 401.2, 642-645,
D7/647-648, 653-664, 669, 675-677,
D7/683, 688-689, 691, 692; D8/107,
D8/300-301; D22/117-118
CPC ... A01D 9/02; A01D 9/04; A01D 9/06; A47G
19/16; A47G 19/28; A47G 21/00; A47G
21/004; A47G 21/005; A47G 21/02;
A47G 21/023; A47G 21/04; A47G 21/06;
A47G 21/08; A47J 43/28; A47J 43/281;
A47J 43/282; A61B 17/244; A61F 13/10;
A61J 7/0023; B25G 1/00; B25G 1/01;
B25G 1/02; B25G 3/00; B65D 75/56;
B65D 75/563; B65D 75/566; B67B 7/00;
B67B 7/724; B67B 7/73
See application file for complete search history.

(56) **References Cited**
U.S. PATENT DOCUMENTS
2,425,917 A * 8/1947 Brignola A61F 11/006
606/161
D156,370 S * 12/1949 Randall D7/648

OTHER PUBLICATIONS

StarPack Premium Silicone Mixing Spoon. Date first available on Amazon. com Oct. 31, 2018. <https://www.amazon.com/dp/B07HDZ7G5D/> (Year: 2018).*
<https://www.oxo.com/categories/cooking-and-baking/silicone-small-spoon.html>, publicly available prior to Aug. 19, 2019.

* cited by examiner

Primary Examiner — Ricky Pham
(74) *Attorney, Agent, or Firm* — Rankin, Hill & Clark LLP

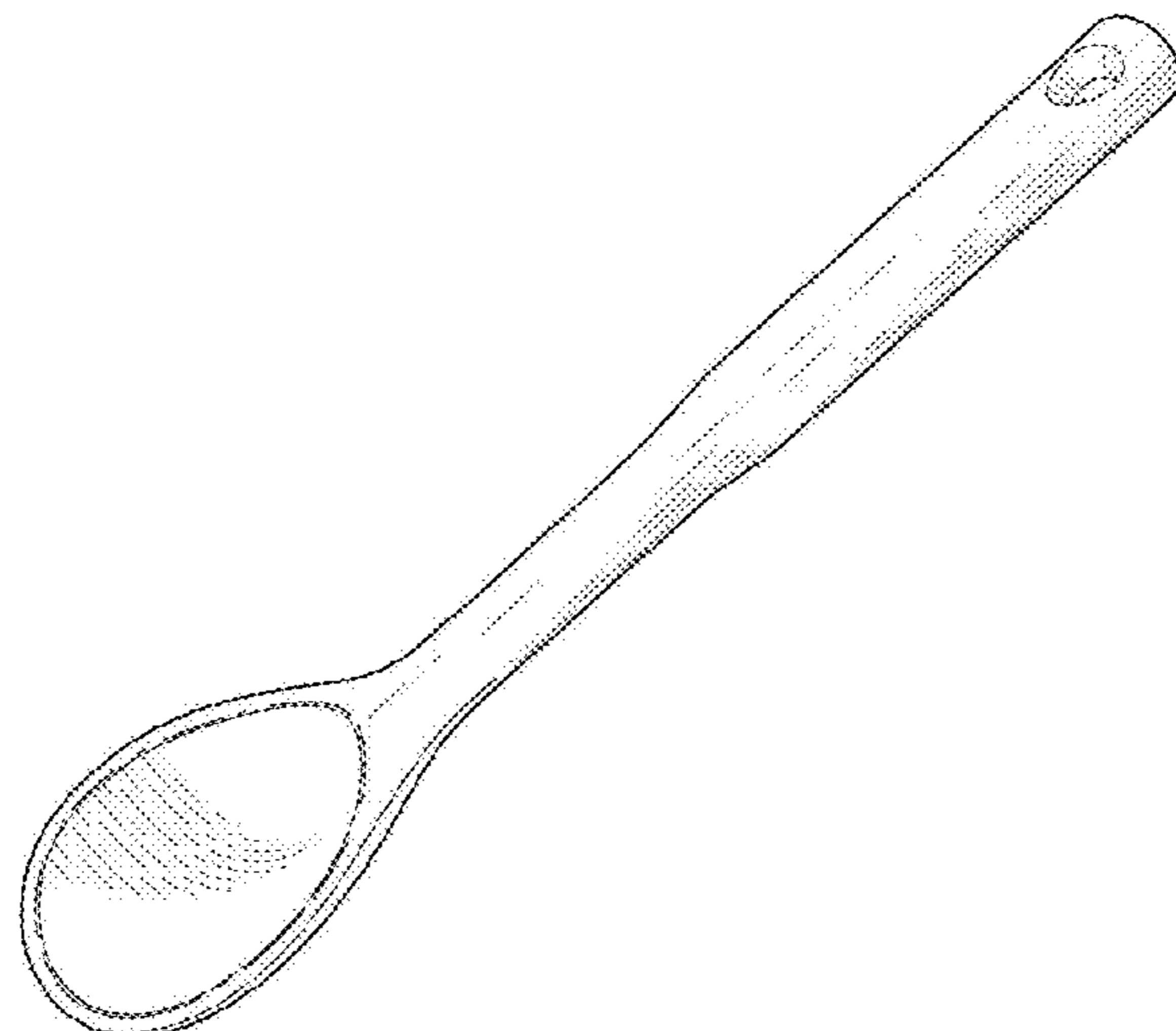
(57) **CLAIM**

The ornamental design for a spoon, as shown, and described.

DESCRIPTION

FIG. 1 is a perspective view of a spoon;
FIG. 2 is a front view thereof;
FIG. 3 is a rear view thereof;
FIG. 4 is a right elevation view thereof, the left elevation view being a mirror image thereof;
FIG. 5 is a top plan view thereof; and,
FIG. 6 is a bottom plan view thereof.

1 Claim, 6 Drawing Sheets



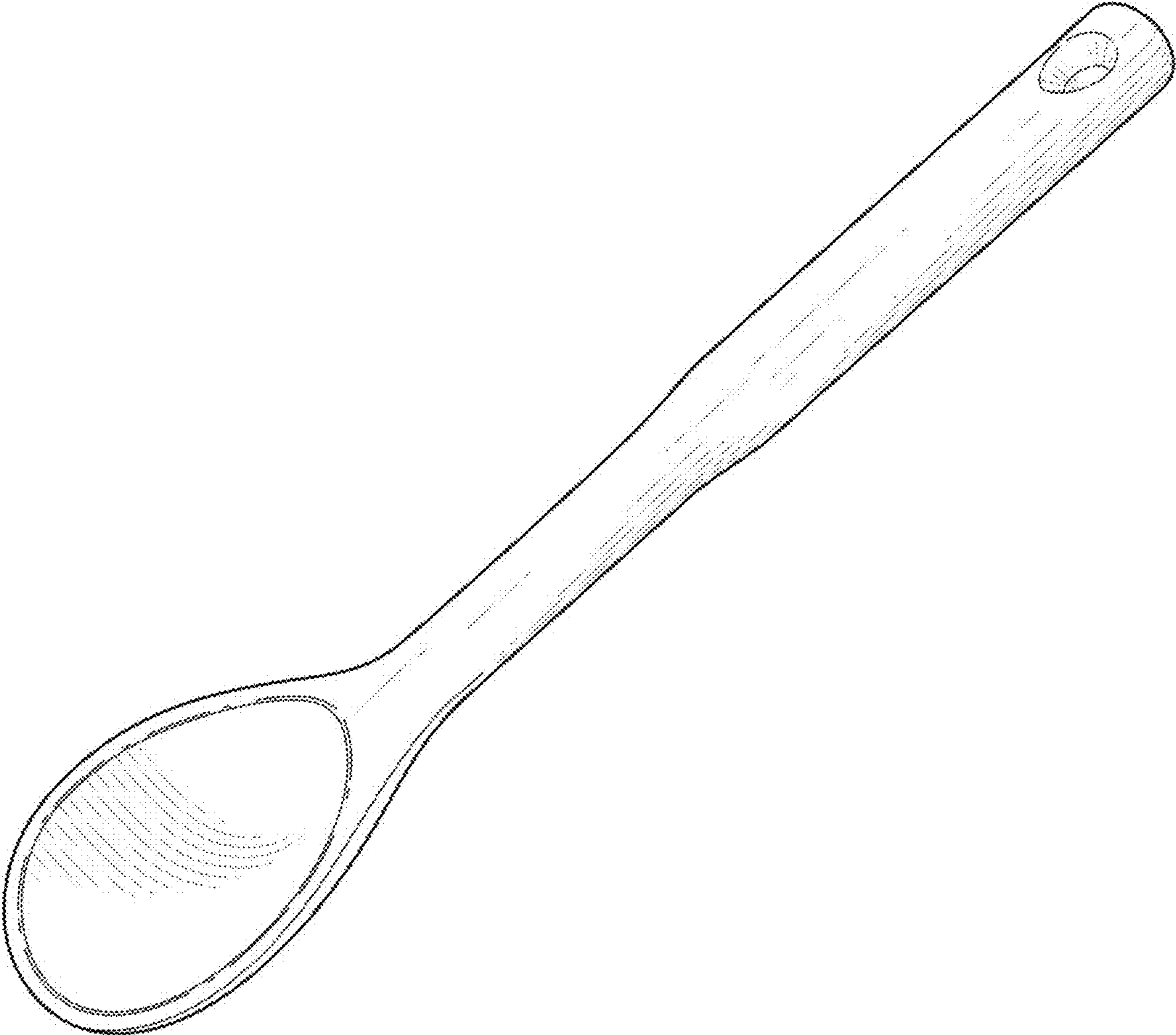


FIG. 1

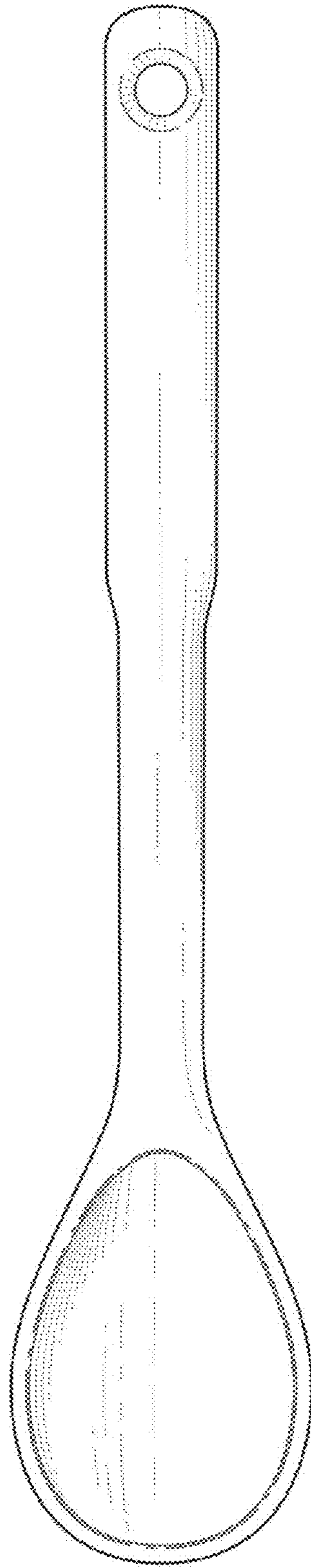


FIG. 2

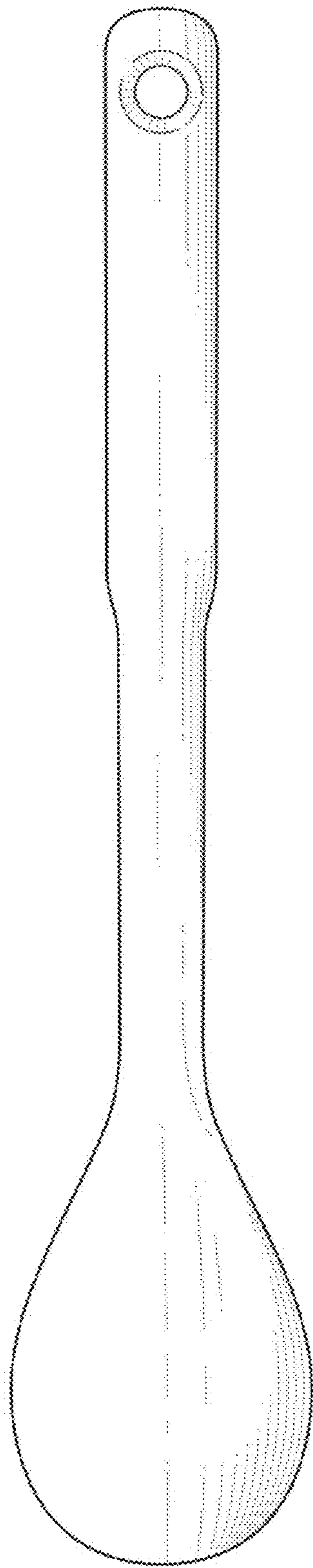


FIG. 3

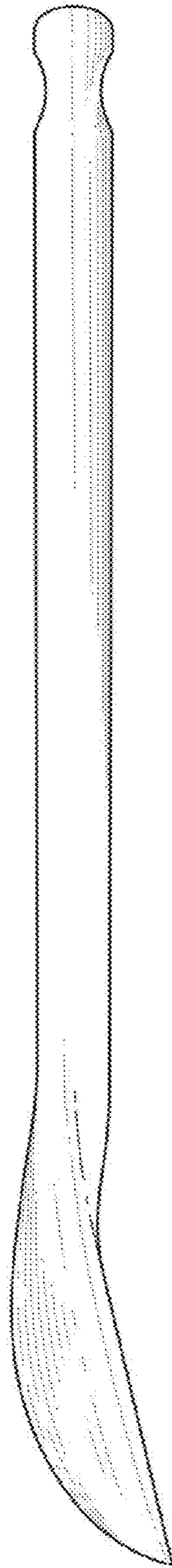


FIG. 4

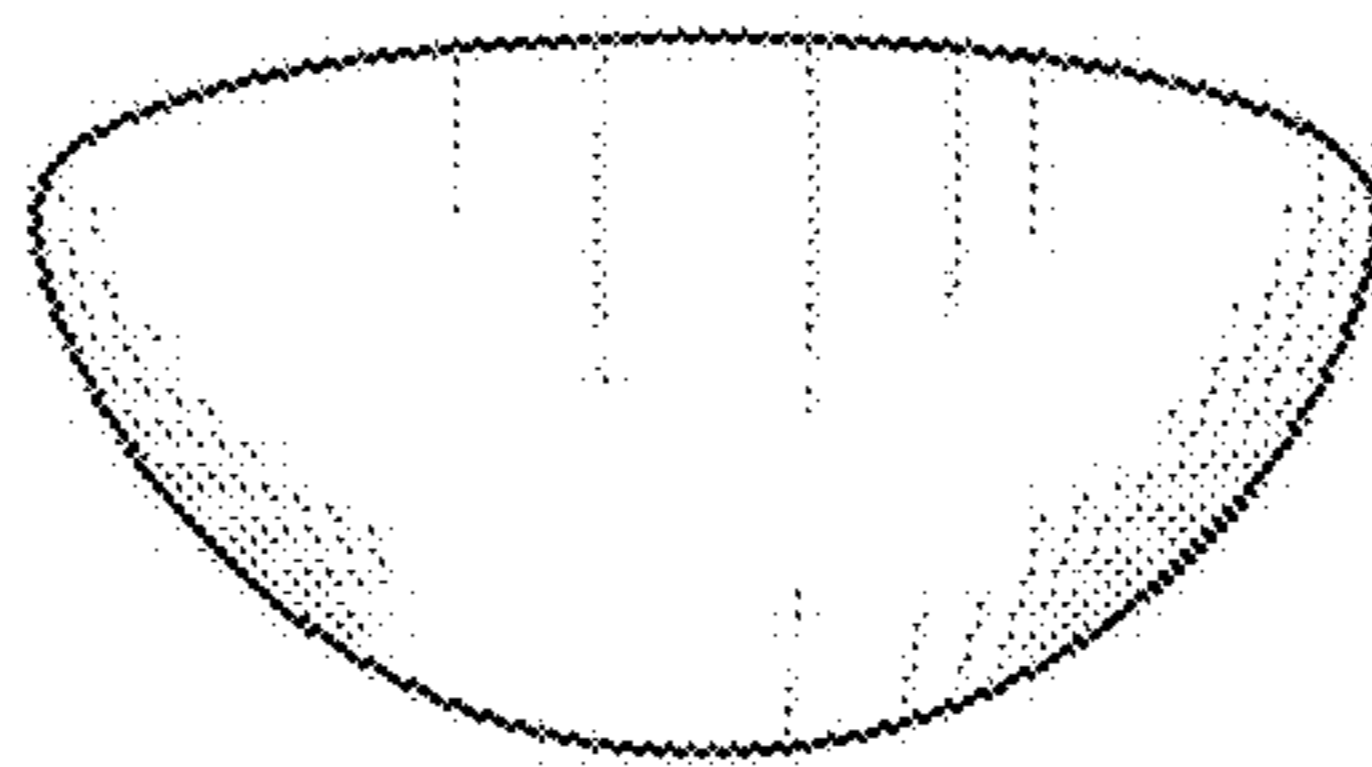


FIG. 5

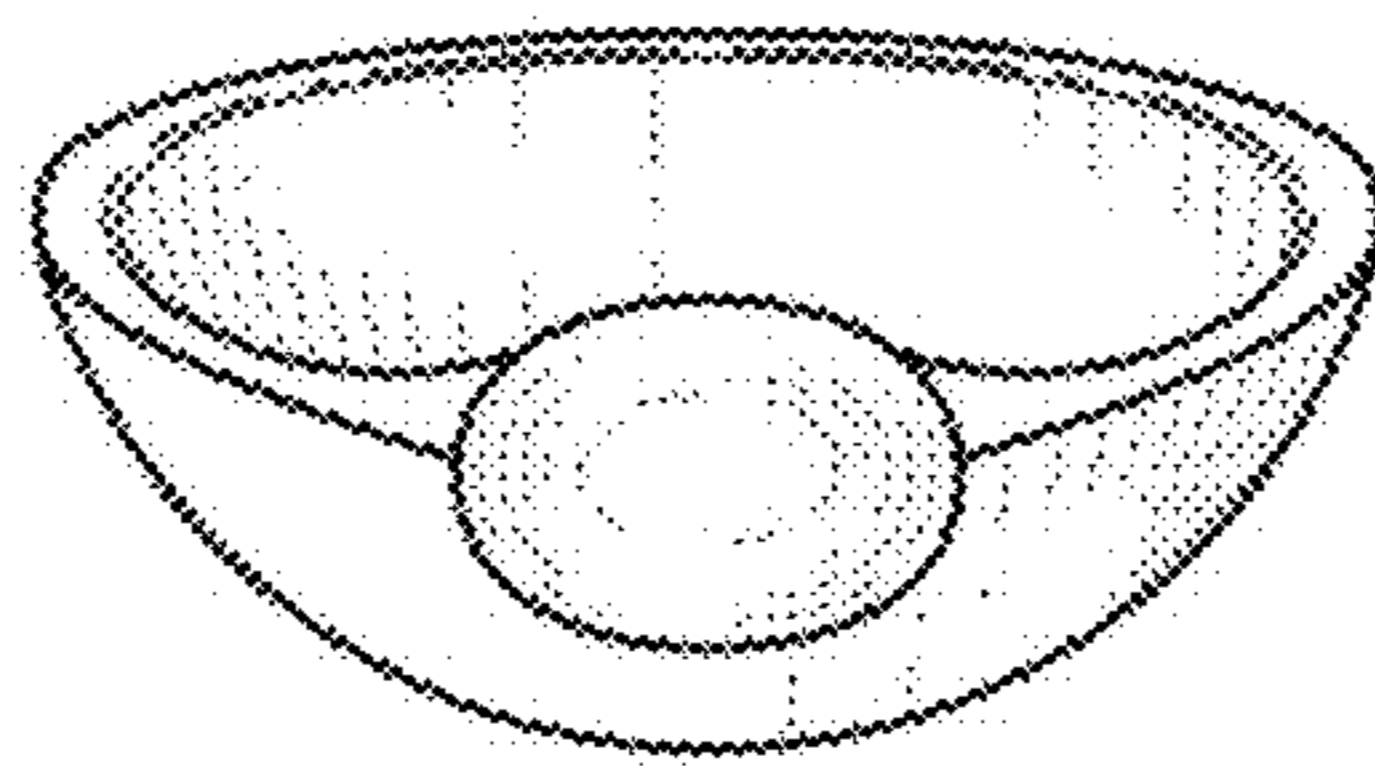


FIG. 6