

US00D909146S

(12) **United States Design Patent** (10) **Patent No.:** **US D909,146 S**  
**Kokubo** (45) **Date of Patent:** **\*\* Feb. 2, 2021**

- (54) **VALVE CONTAINER**
- (71) Applicant: **KOKUBO & CO., LTD.**, Wakayama (JP)
- (72) Inventor: **Yoshiaki Kokubo**, Wakayama (JP)
- (73) Assignee: **KOKUBO & CO., LTD.**, Wakayama (JP)
- (\*\*) Term: **15 Years**
- (21) Appl. No.: **29/664,574**
- (22) Filed: **Sep. 26, 2018**
- (30) **Foreign Application Priority Data**  
Apr. 19, 2018 (JP) ..... 2018-008583
- (51) **LOC (13) Cl.** ..... **09-07**
- (52) **U.S. Cl.**  
USPC ..... **D7/629; D7/396.1**
- (58) **Field of Classification Search**  
USPC ..... D7/601, 602, 612, 629, 701, 703, 396.1, D7/402; D9/434, 435, 436, 439, 443, D9/447, 449, 450; D19/99, 102, 106  
CPC . B65D 1/26; B65D 5/24; B65D 81/34; B65D 81/3438; B65D 81/3453; B65D 2581/34; B65D 2581/3437; B65D 43/02  
See application file for complete search history.

- (56) **References Cited**  
U.S. PATENT DOCUMENTS  
4,976,370 A \* 12/1990 Cassel ..... B65D 1/22 220/792  
D415,386 S \* 10/1999 Stucke, Jr. .... D7/392  
5,974,686 A \* 11/1999 Nomura ..... A47J 36/027 219/735  
D573,846 S \* 7/2008 Moghavem ..... D7/629  
D590,666 S \* 4/2009 Wang ..... D7/629  
D610,878 S \* 3/2010 Kim ..... D7/629  
D673,807 S \* 1/2013 Grider ..... D7/391

- D733,489 S \* 7/2015 Nelson ..... D7/391
- D735,524 S \* 8/2015 Holding ..... D7/392.1
- D760,035 S \* 6/2016 Kim ..... D7/629
- D814,883 S \* 4/2018 Day ..... D7/629
- D870,507 S \* 12/2019 Whaley ..... D7/391
- 2003/0116572 A1\* 6/2003 Klock ..... B65D 51/1683 220/367.1
- 2004/0182860 A1\* 9/2004 Wu ..... B65D 51/1683 220/203.05

\* cited by examiner

*Primary Examiner* — Susan E Krakower  
*Assistant Examiner* — Andrew Kerr  
(74) *Attorney, Agent, or Firm* — Culpepper IP, LLC;  
Kerry S. Culpepper

(57) **CLAIM**

The ornamental design for a valve container, as shown and described.

**DESCRIPTION**

FIG. 1 is a front elevation view of a valve container, showing my new design;  
FIG. 2 is a rear elevation view thereof;  
FIG. 3 is a right side elevation view thereof;  
FIG. 4 is a left side elevation view thereof;  
FIG. 5 is a top plan view thereof;  
FIG. 6 is a bottom plan view thereof;  
FIG. 7 is a cross-sectional view along lines 1-1 of FIG. 1;  
FIG. 8 is a cross-sectional view along lines 2-2 of FIG. 3;  
FIG. 9 is a front elevation view thereof shown separately to show aspects of the design that are not visible when combined.  
FIG. 10 is a rear elevation view thereof;  
FIG. 11 is a right side elevation view thereof;  
FIG. 12 is a left side elevation view thereof;  
FIG. 13 is a top plan view thereof; and,  
FIG. 14 is a bottom plan view thereof.  
The broken lines in the drawings depict portions of the valve container that form no part of the claimed design.

**1 Claim, 7 Drawing Sheets**

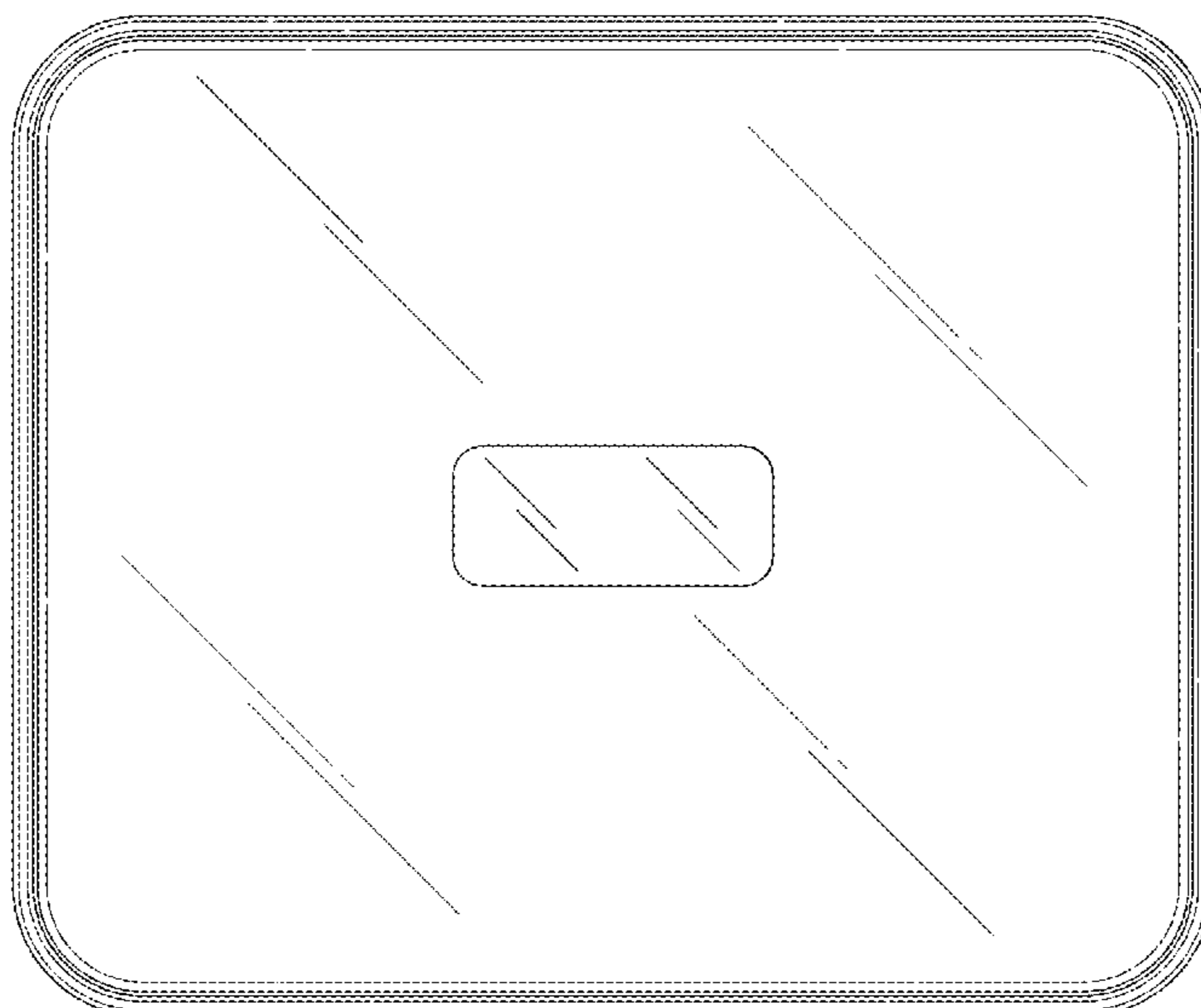


FIG. 1

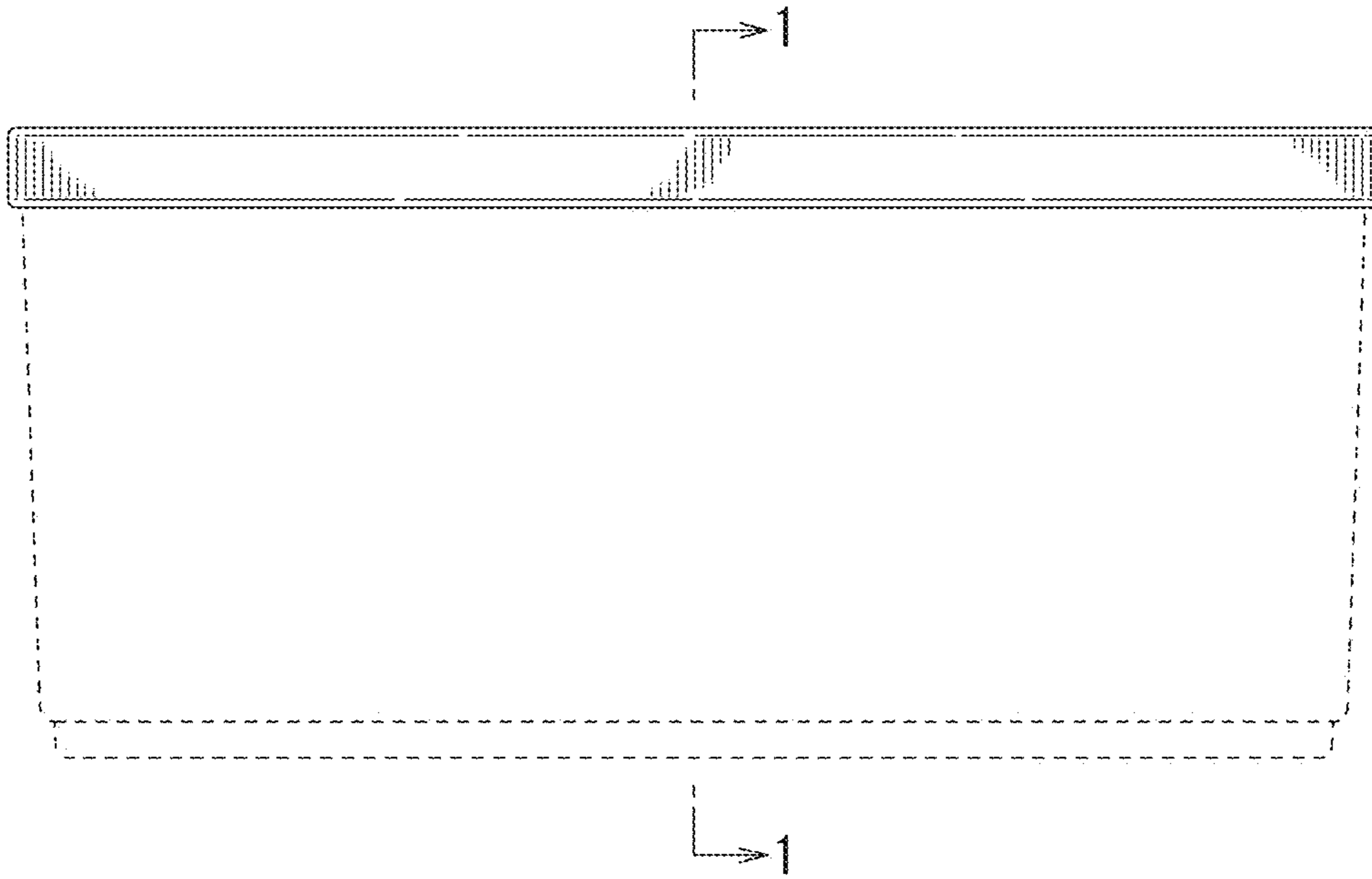


FIG. 2

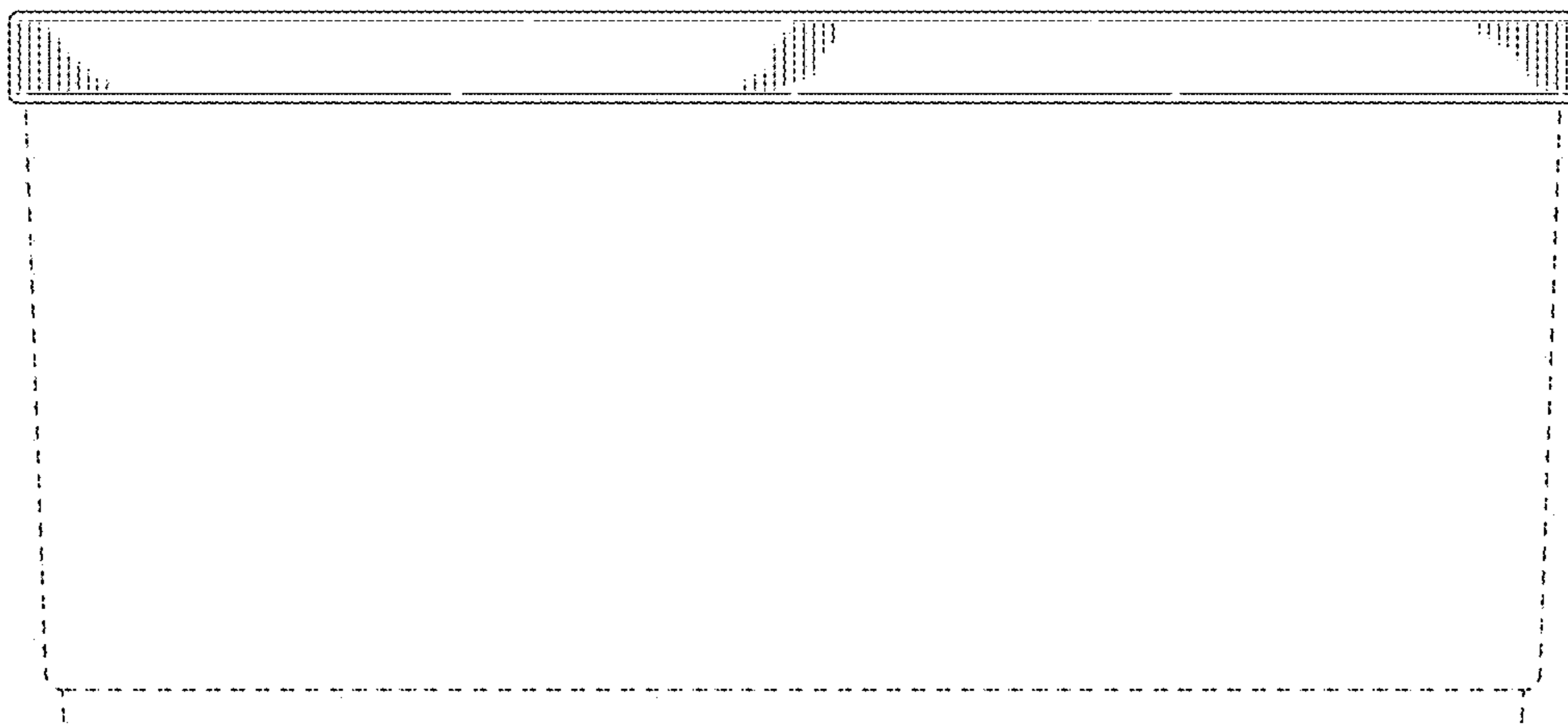


FIG. 3

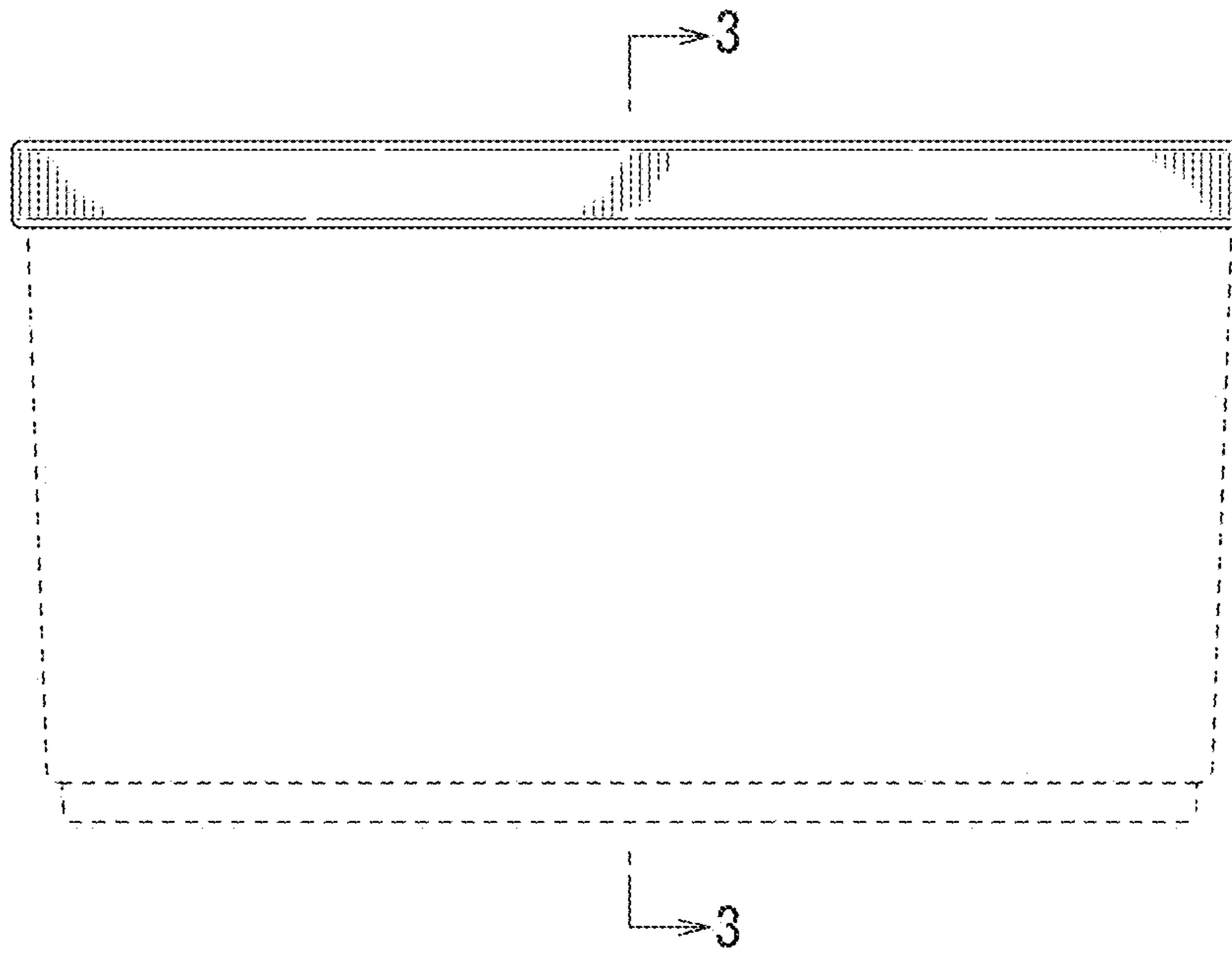


FIG. 4

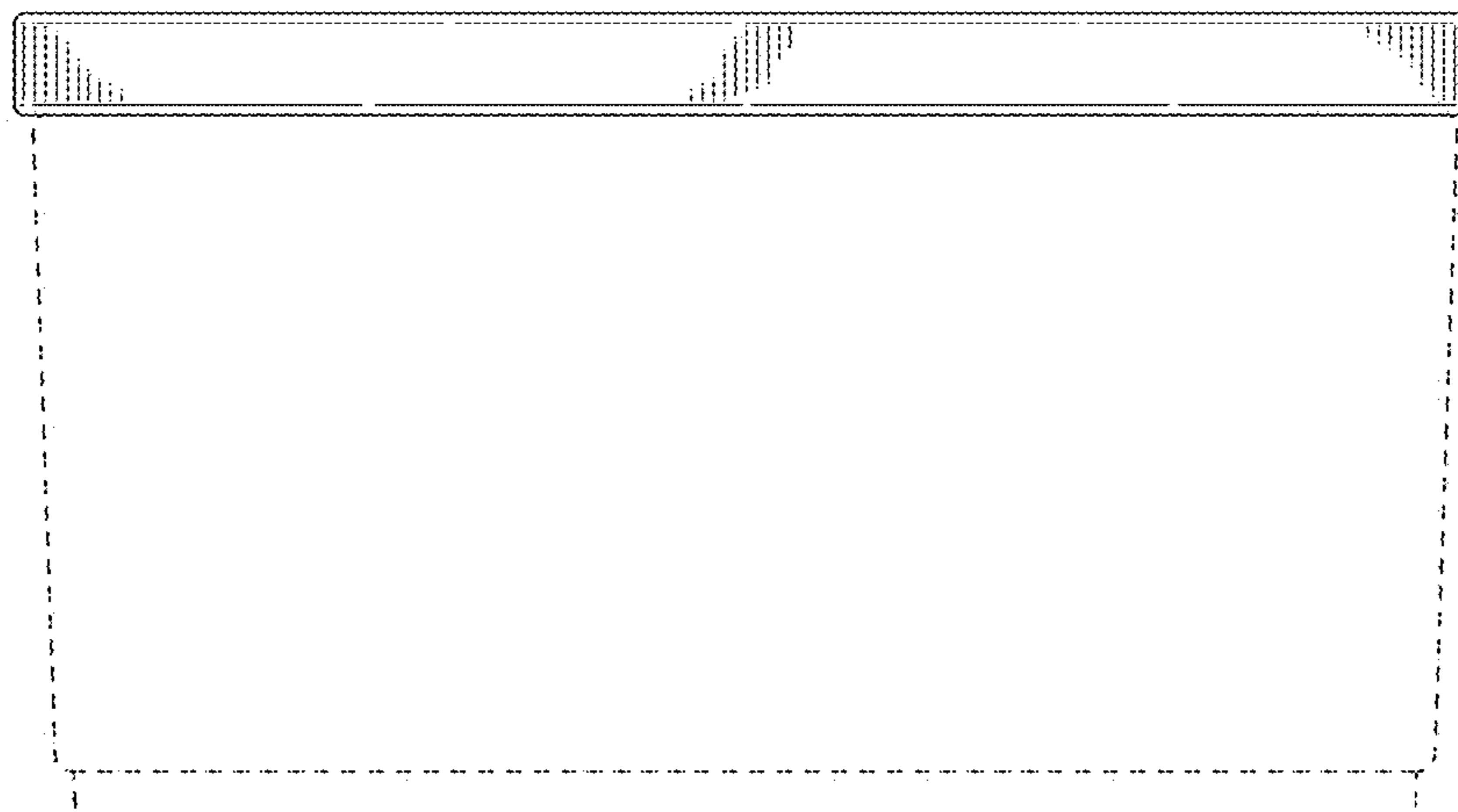


FIG. 5

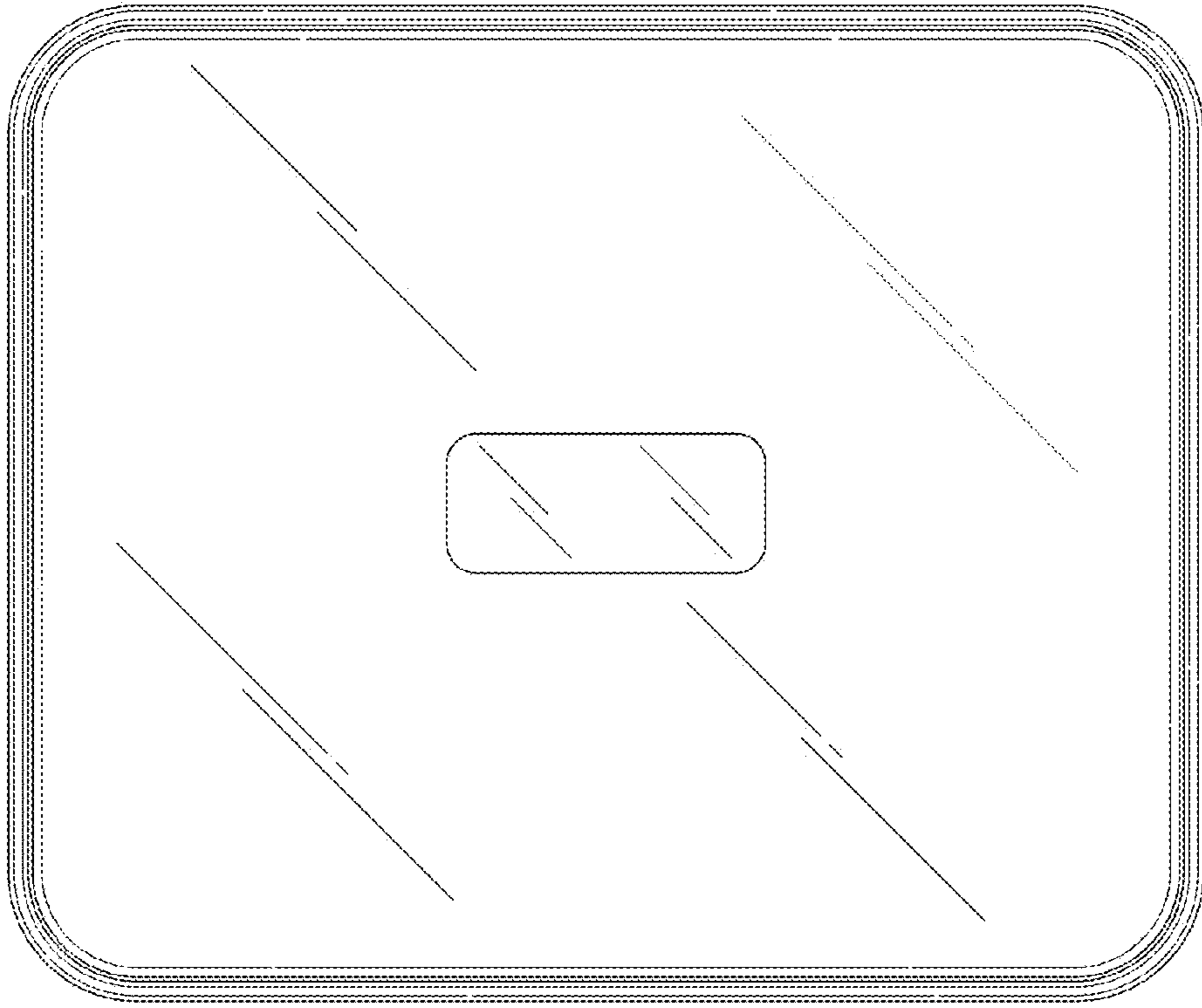


FIG. 6

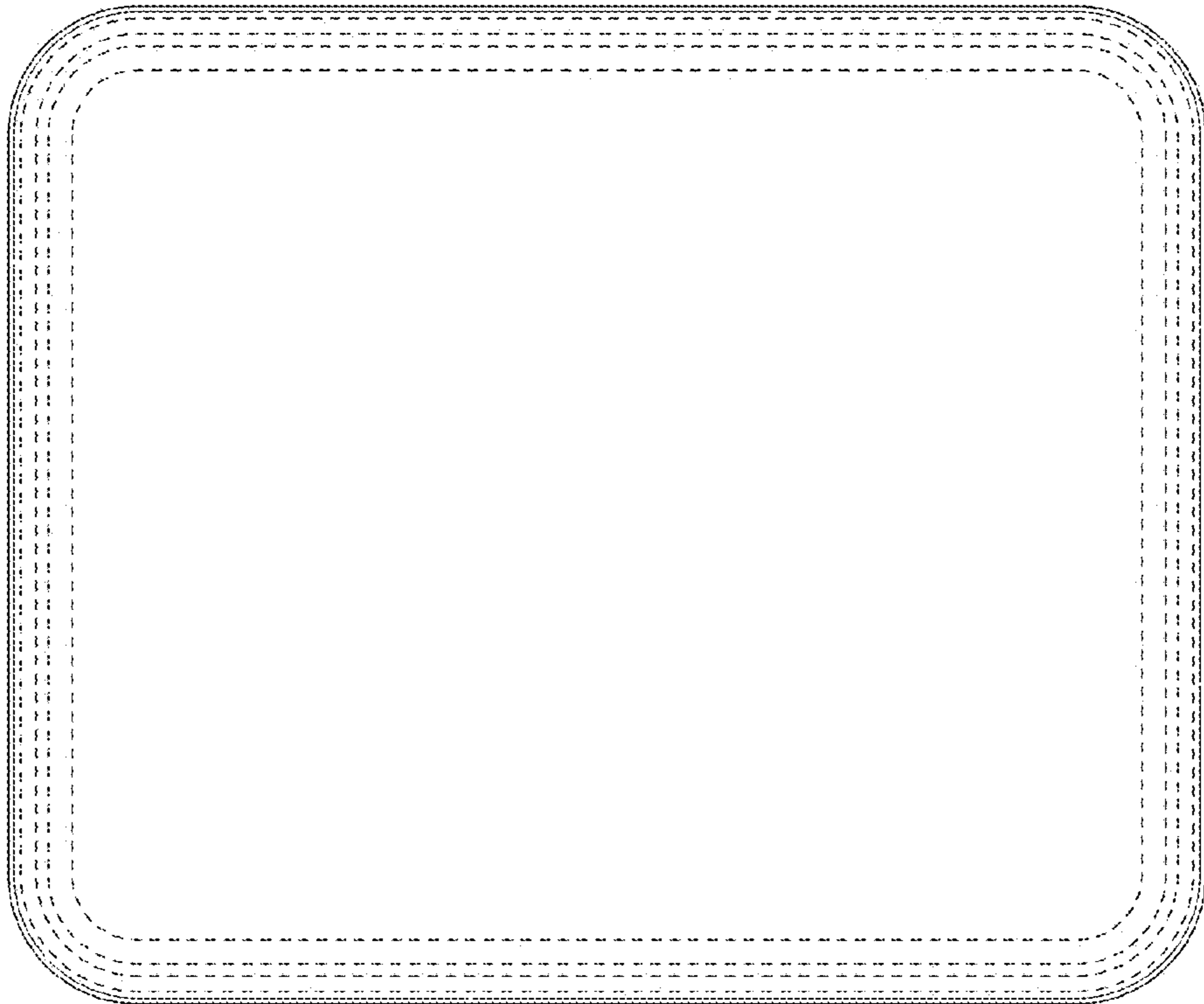


FIG. 7

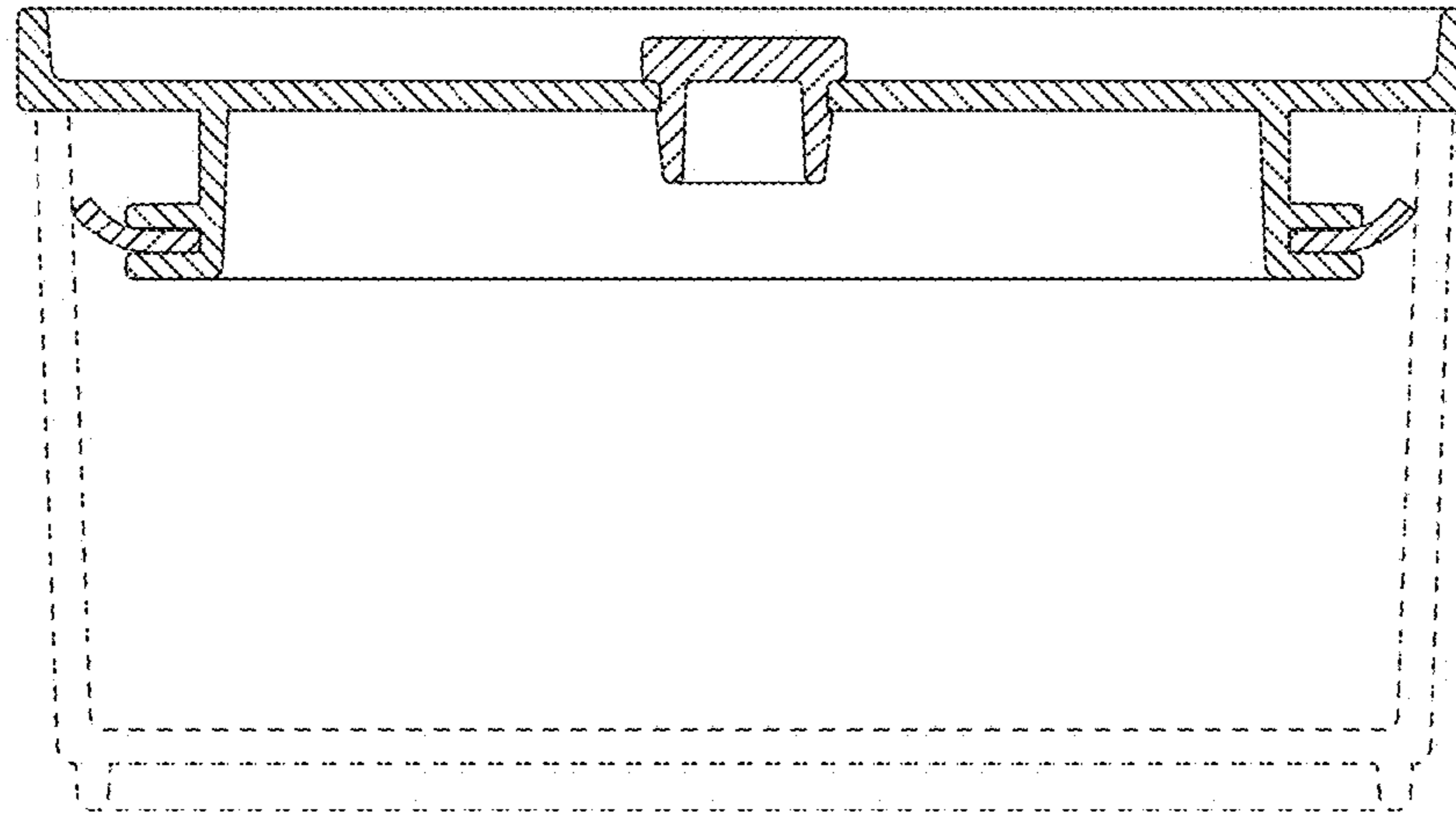


FIG. 8

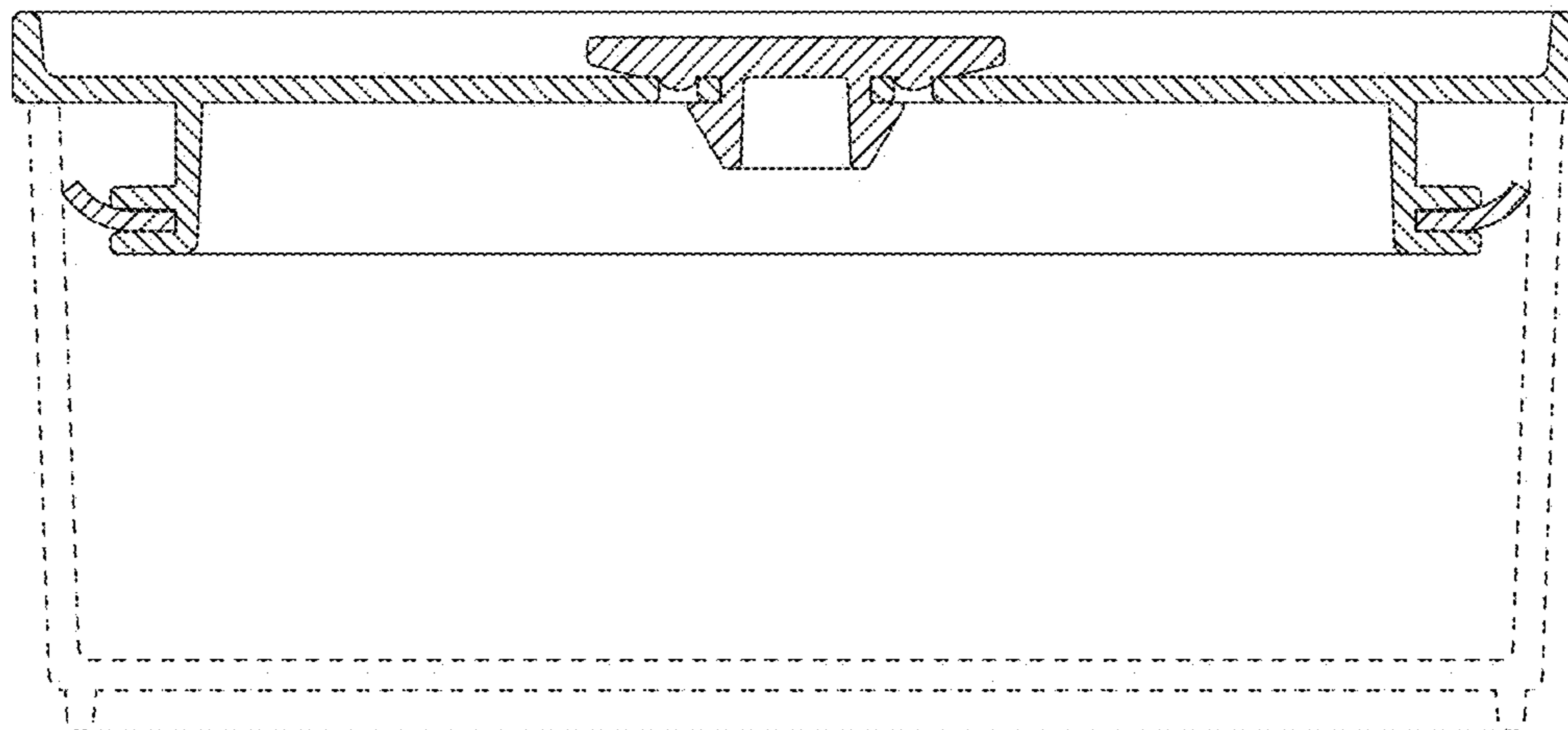


FIG. 9

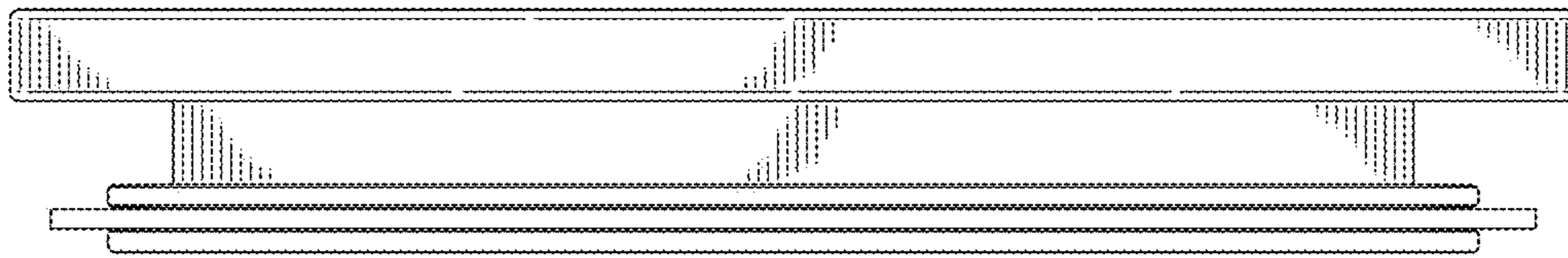


FIG. 10

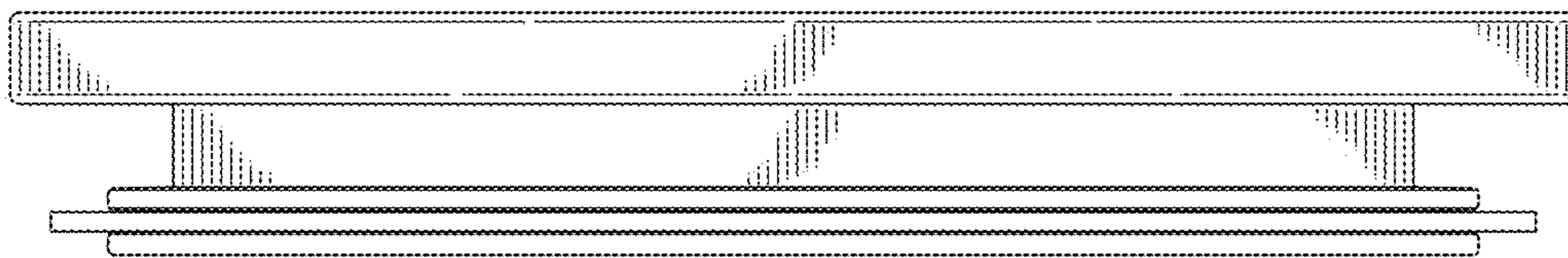


FIG. 11

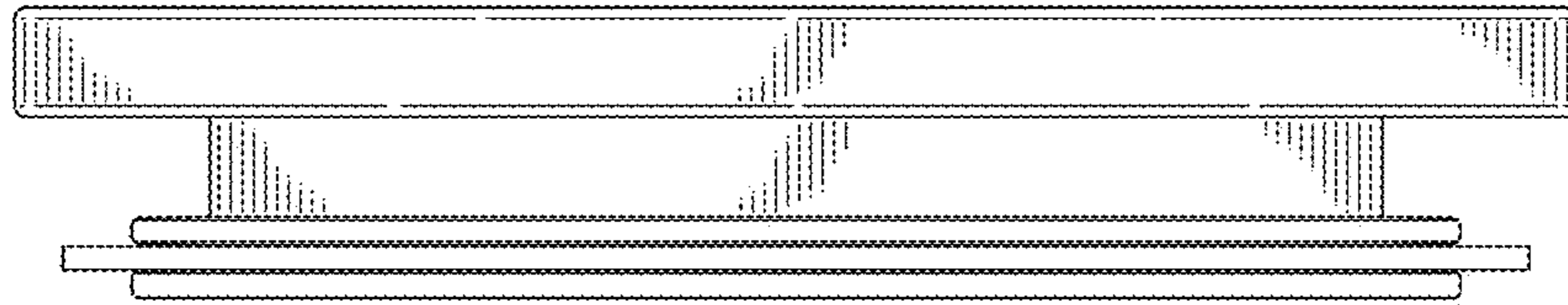


FIG. 12

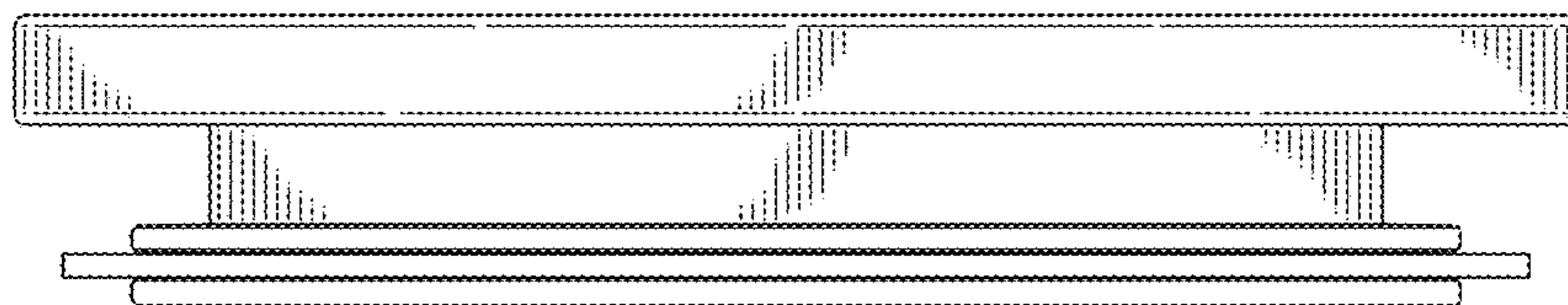


FIG. 13

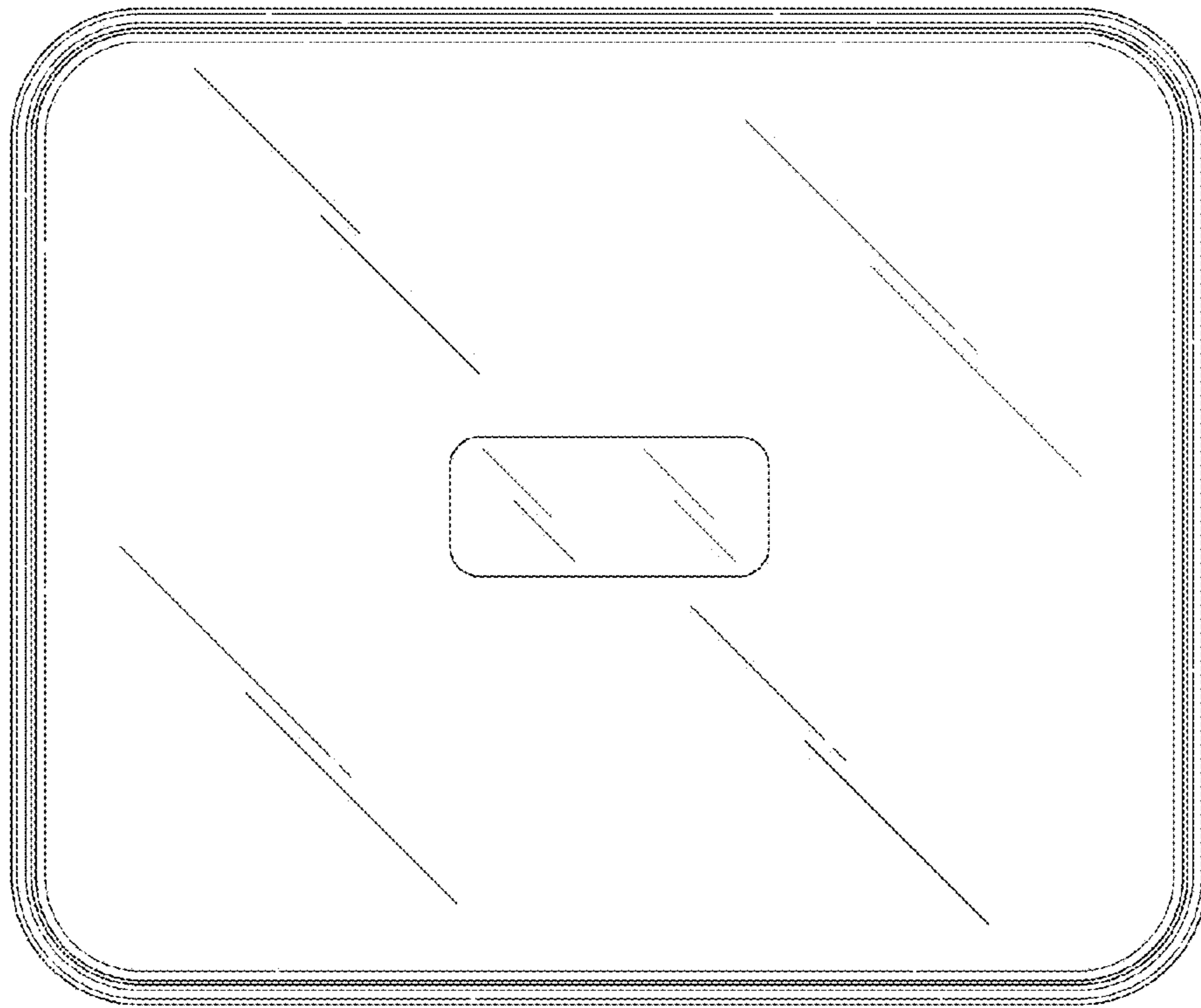


FIG. 14

