



US00D909145S

(12) **United States Design Patent**
Pisarevsky

(10) **Patent No.:** **US D909,145 S**

(45) **Date of Patent:** **** Feb. 2, 2021**

(54) **INSULATING SLEEVE**

(71) Applicant: **Arie Pisarevsky**, Montreal (CA)

(72) Inventor: **Arie Pisarevsky**, Montreal (CA)

(**) Term: **15 Years**

(21) Appl. No.: **29/698,723**

(22) Filed: **Jul. 18, 2019**

(51) **LOC (13) Cl.** **07-01**

(52) **U.S. Cl.**

USPC **D7/608**; D7/624.2

(58) **Field of Classification Search**

USPC D7/605, 607, 608, 619.1, 624.2; D9/444

CPC F25D 31/007; F25D 31/008; F25D 31/002;

F25D 31/006; F25D 3/08; A47G 23/0241;

A47G 23/0216; A47G 23/0258; A47G

23/0266; B65D 81/38; B65D 81/3876;

B65D 81/3879; B65D 81/3881; B65D

81/3886; B65D 81/3869; B65D 81/3897;

B65D 81/3883; B65D 81/3888; B65D

81/389; B65D 81/3893; B65D 81/3895

See application file for complete search history.

(56) **References Cited**

U.S. PATENT DOCUMENTS

4,540,611 A * 9/1985 Henderson B65D 23/08

150/901

D442,833 S * 5/2001 Shuman D7/608

D597,382 S * 8/2009 Bognar D7/608
D703,492 S * 4/2014 Schmidt D7/608
9,245,430 B1 * 1/2016 Berg G08B 7/068
D829,056 S * 9/2018 Wall D7/608
2013/0075412 A1 * 3/2013 Schminke B65D 81/3876
220/739

* cited by examiner

Primary Examiner — Terry A Wallace

(57) **CLAIM**

The ornamental design for an insulating sleeve, as shown and described.

DESCRIPTION

FIG. 1 is a top perspective view of an insulating sleeve showing my new design;

FIG. 2 is a front view thereof;

FIG. 3 is a back view thereof;

FIG. 4 is a top view thereof;

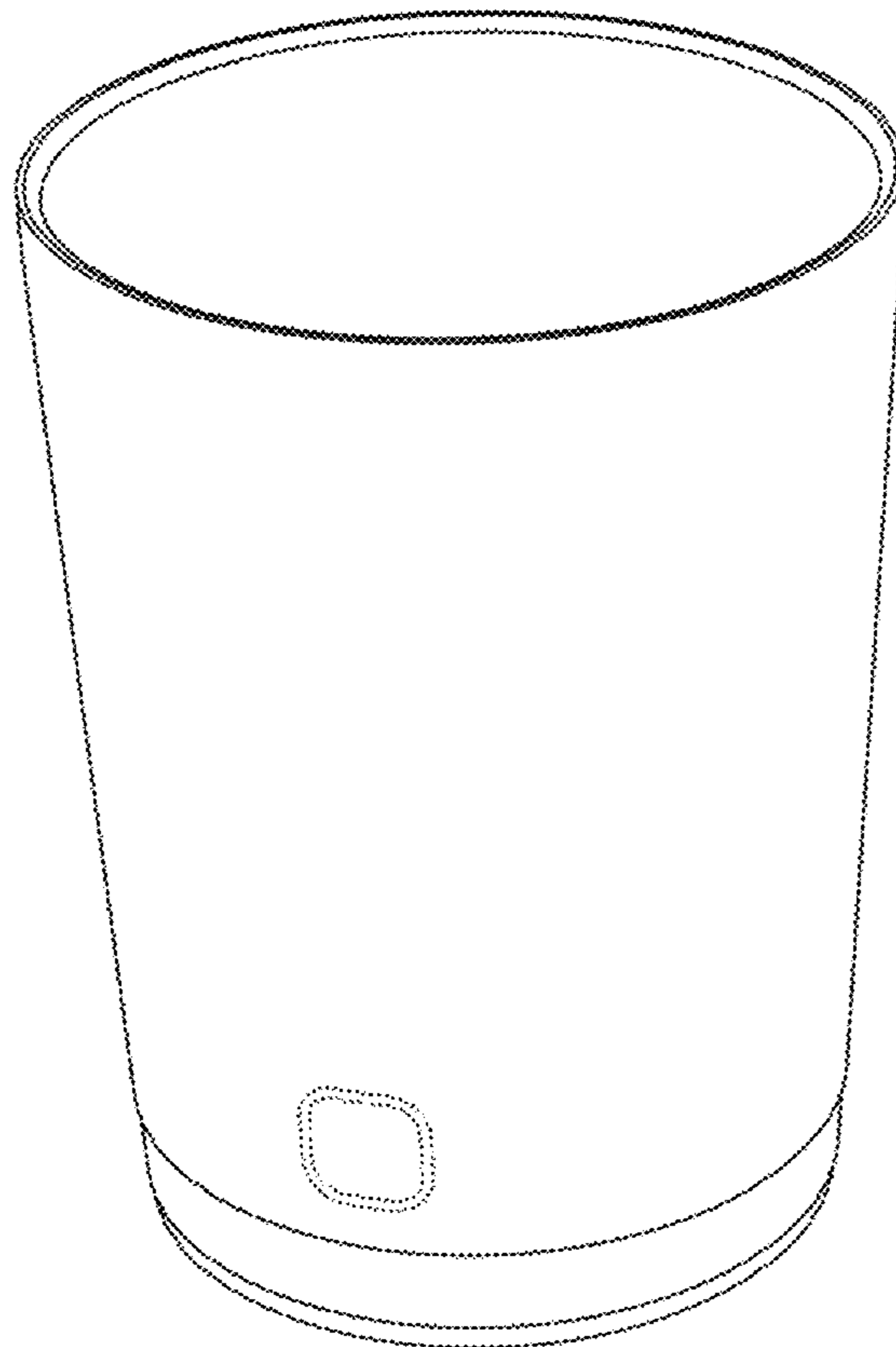
FIG. 5 is a bottom view thereof;

FIG. 6 is a bottom perspective view thereof; and,

FIG. 7 is a top perspective view thereof shown in use.

All broken lines in the drawings are for illustrative purposes only and form no part of the claimed design.

1 Claim, 6 Drawing Sheets



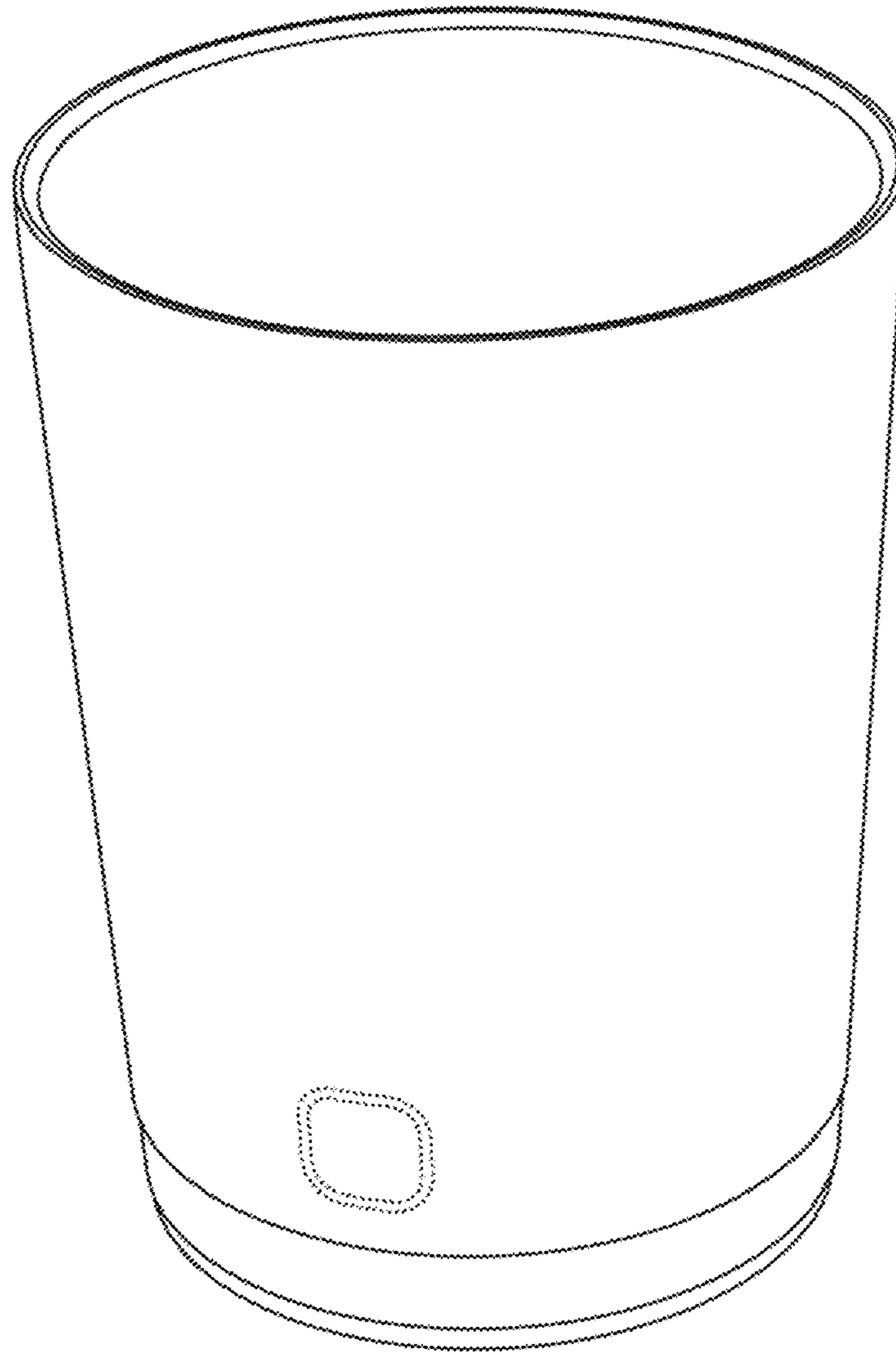


Fig.1

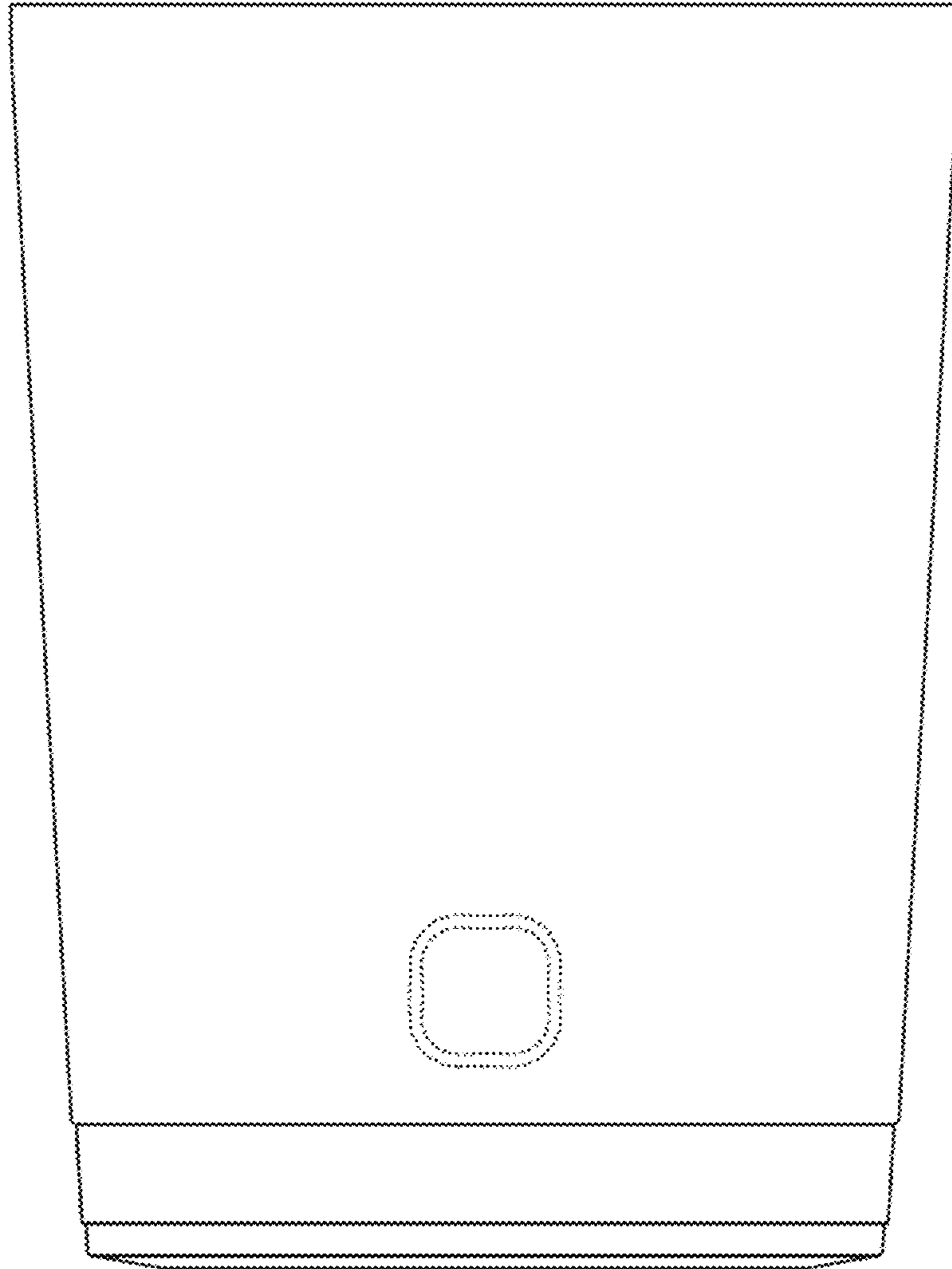


Fig.2

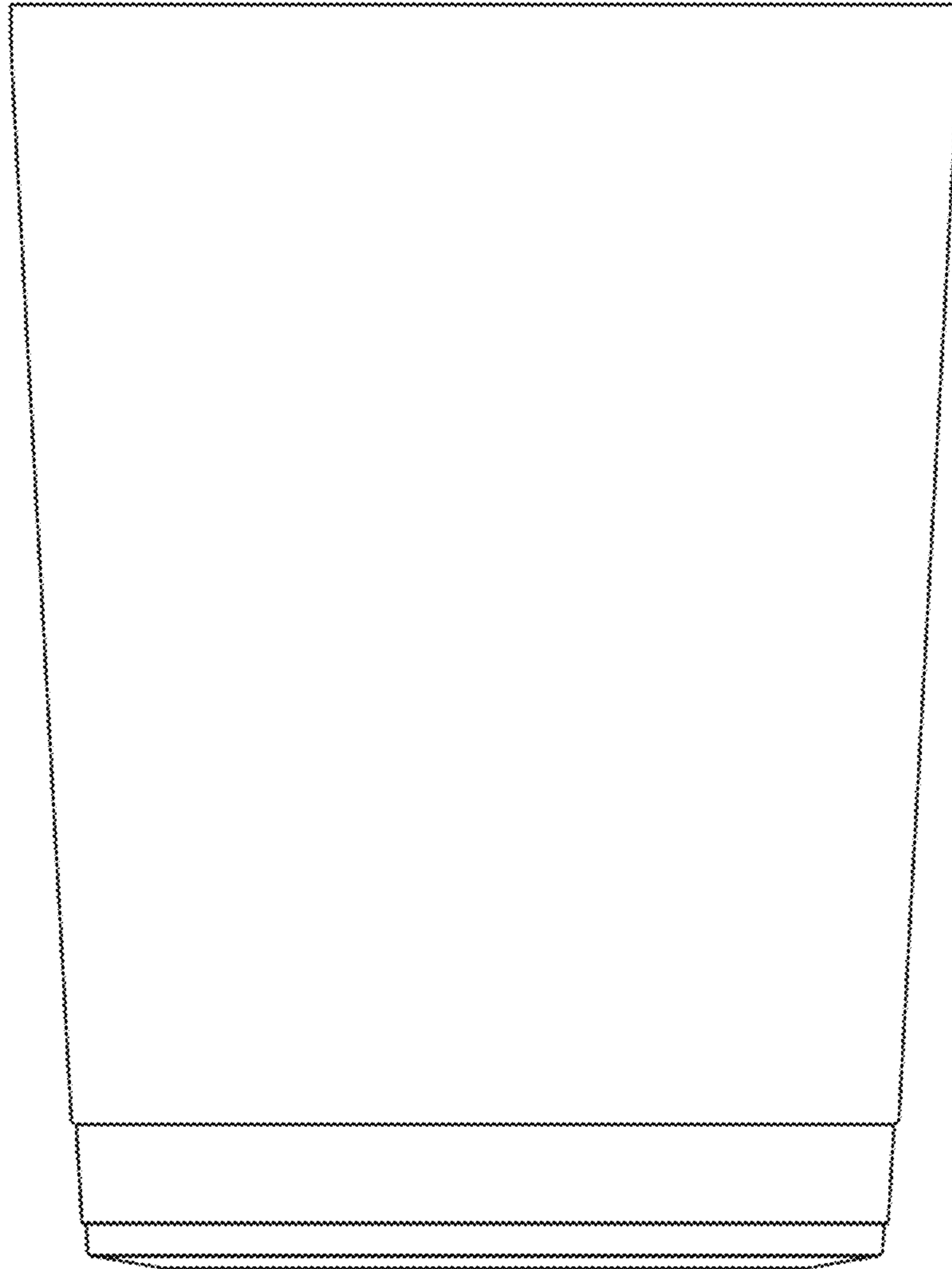


Fig.3

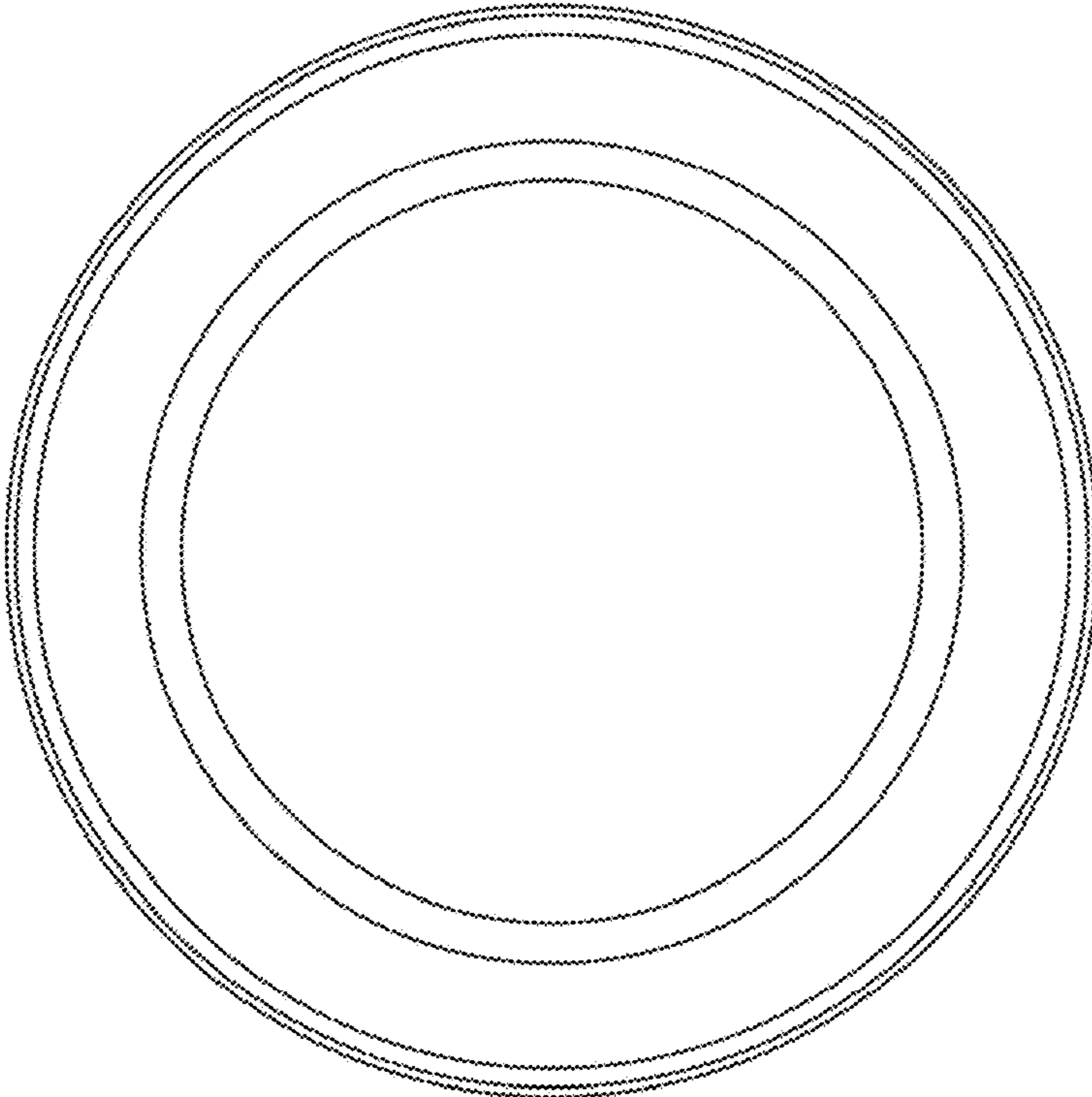


Fig.4

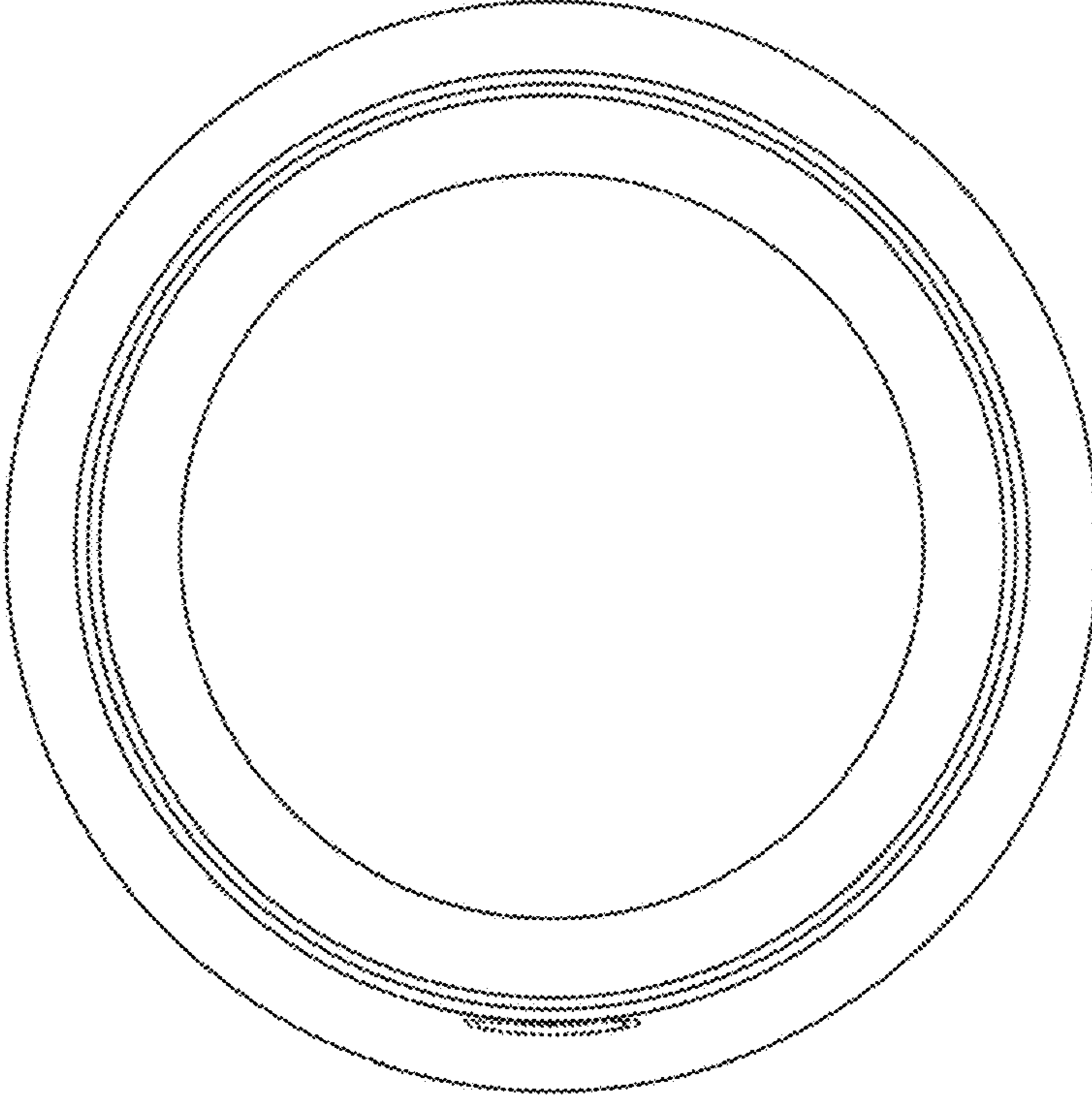


Fig.5

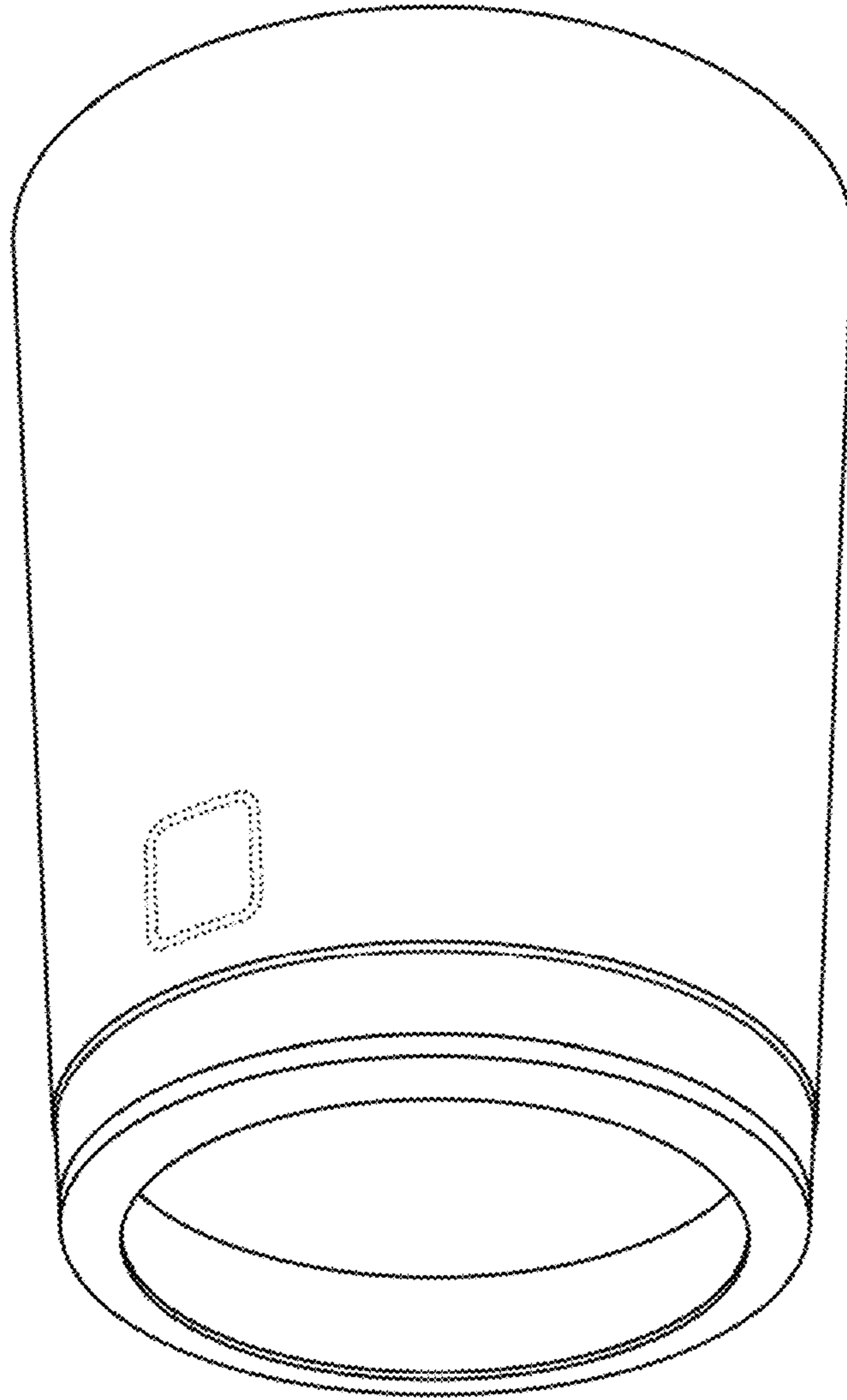


Fig.6

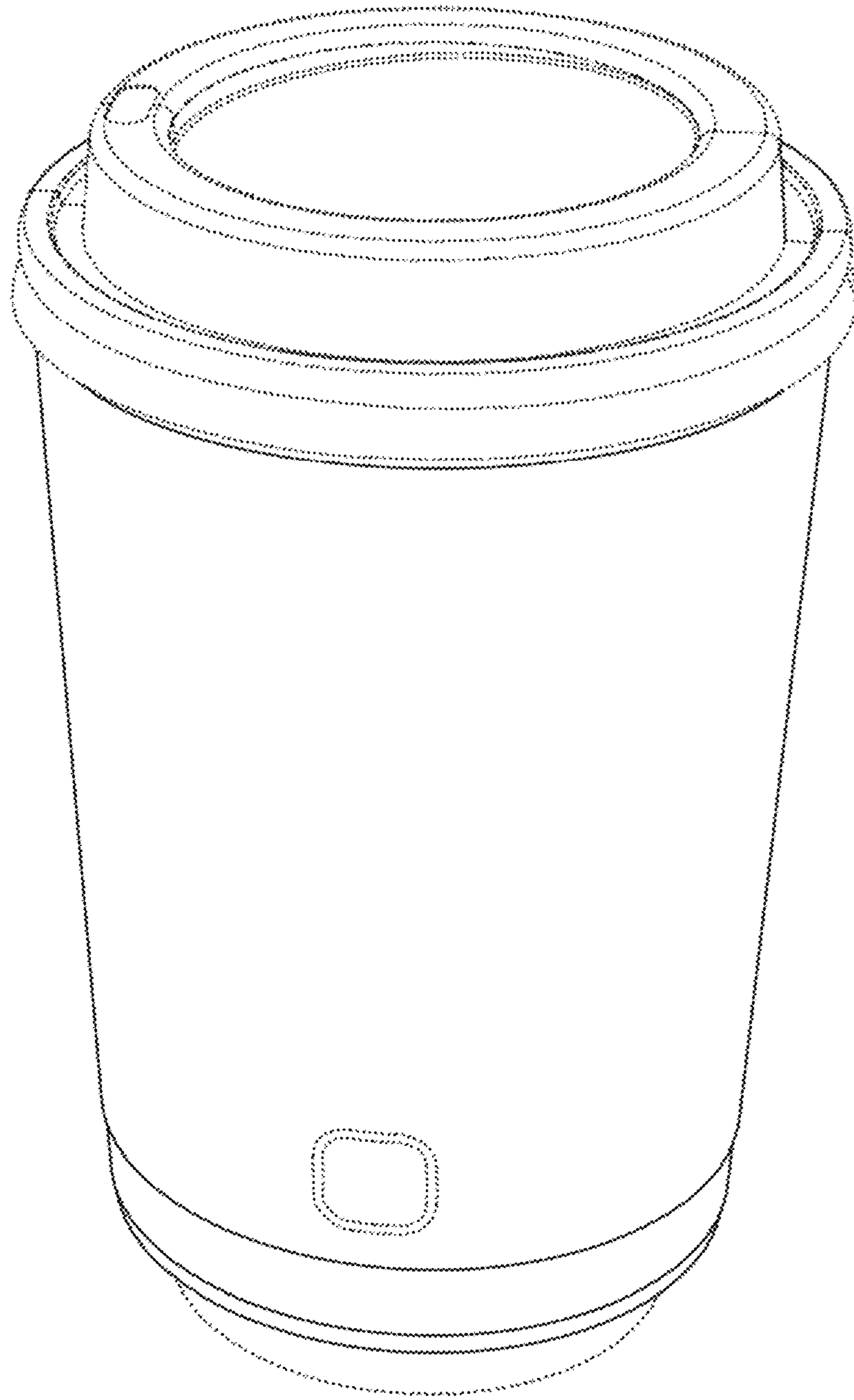


Fig.7