



US00D909142S

(12) **United States Design Patent**
Hartley et al.

(10) **Patent No.:** **US D909,142 S**

(45) **Date of Patent:** **** Feb. 2, 2021**

(54) **CONTAINER BASE**
(71) Applicant: **The Decor Corporation Pty. Ltd.,**
Dandenong South (AU)
(72) Inventors: **Toby Hartley,** Keysborough (AU);
George Kotsiopoulos, Keysborough
(AU); **Alexander Schoenmakers,**
Keysborough (AU); **Justin Armistead,**
Keysborough (AU)

D644,886 S * 9/2011 Samartgis D7/602
D717,121 S * 11/2014 Carlson D7/602
D717,122 S * 11/2014 Carlson D7/602
D759,478 S * 6/2016 Fife D9/425
D810,285 S * 2/2018 Adams D24/123
D811,213 S * 2/2018 Pickard D9/425
D815,495 S * 4/2018 Barea D7/602
10,611,548 B2 * 4/2020 Pickard B65D 1/34
2009/0120937 A1 * 5/2009 Vovan B65D 43/0206
220/266

* cited by examiner

(73) Assignee: **The Decor Corporation Pty. Ltd.,**
Dandenong South (AU)

Primary Examiner — Susan E Krakower

Assistant Examiner — Andrew Kerr

(**) Term: **15 Years**

(74) *Attorney, Agent, or Firm* — Stevens & Showalter
LLP

(21) Appl. No.: **29/700,127**

(22) Filed: **Jul. 31, 2019**

(30) **Foreign Application Priority Data**

Feb. 5, 2019 (AU) 201910608

(51) **LOC (13) Cl.** **07-07**

(52) **U.S. Cl.**
USPC **D7/602**

(58) **Field of Classification Search**
USPC D7/601, 602, 603, 612, 629, 630,
D7/538–542, 396.6; D9/414, 424, 431,
D9/559, 575; D19/102
CPC B65D 1/00; B65D 8651/10; B65D 1/26;
B65D 1/34; B65D 1/36
See application file for complete search history.

(56) **References Cited**

U.S. PATENT DOCUMENTS

D458,085 S * 6/2002 Kim D7/602
D644,885 S * 9/2011 Samartgis D7/602

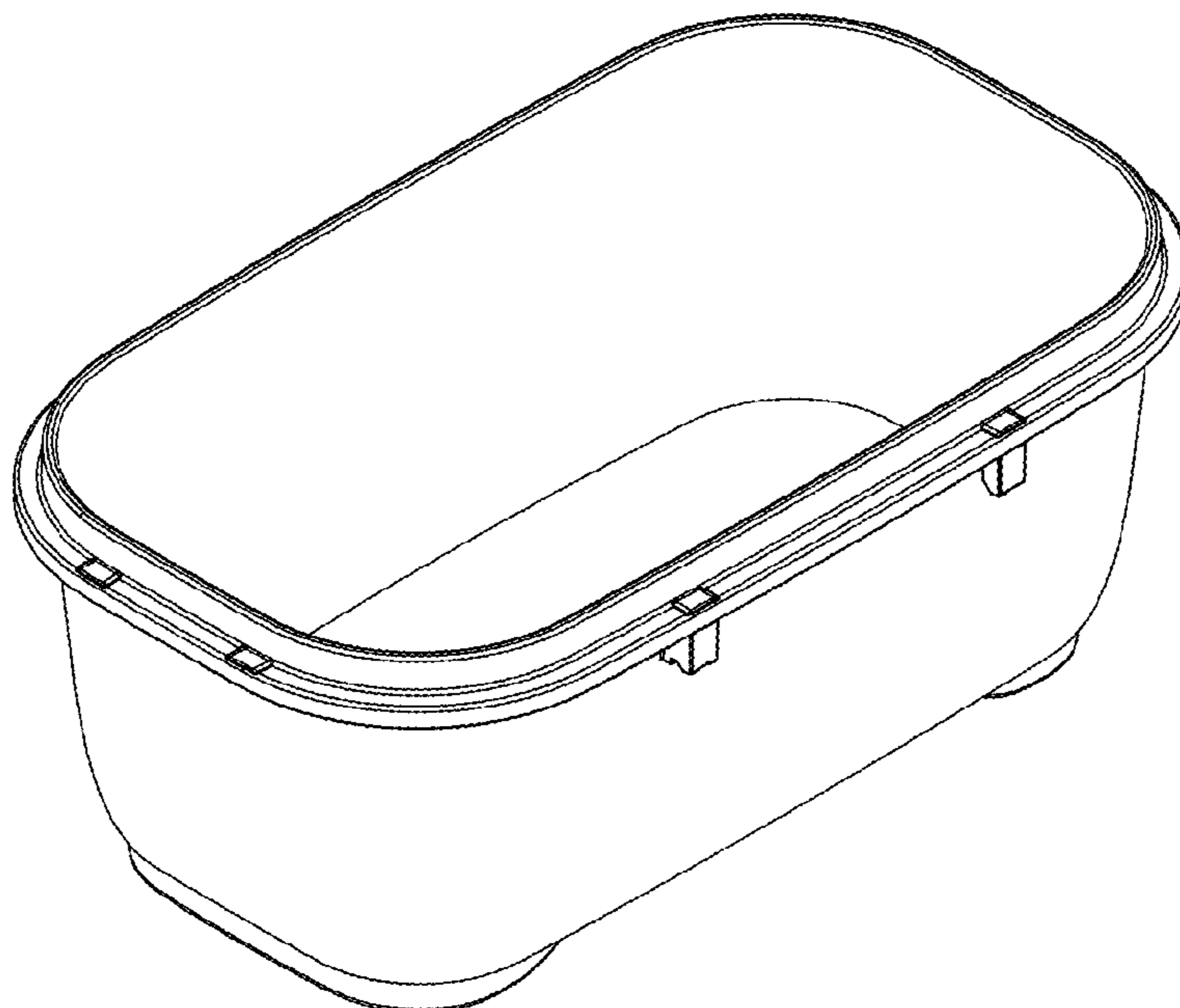
(57) **CLAIM**

The ornamental design for a container base, as shown and described.

DESCRIPTION

FIG. 1 is a top front perspective view of a container base showing our new design;
FIG. 2 is a bottom rear perspective view thereof;
FIG. 3 is a top plan view thereof;
FIG. 4 is a bottom plan view thereof;
FIG. 5 is a front elevation view thereof;
FIG. 6 is a rear elevation view thereof;
FIG. 7 is left side elevation view thereof; and,
FIG. 8 is a right side elevation view thereof.

1 Claim, 4 Drawing Sheets



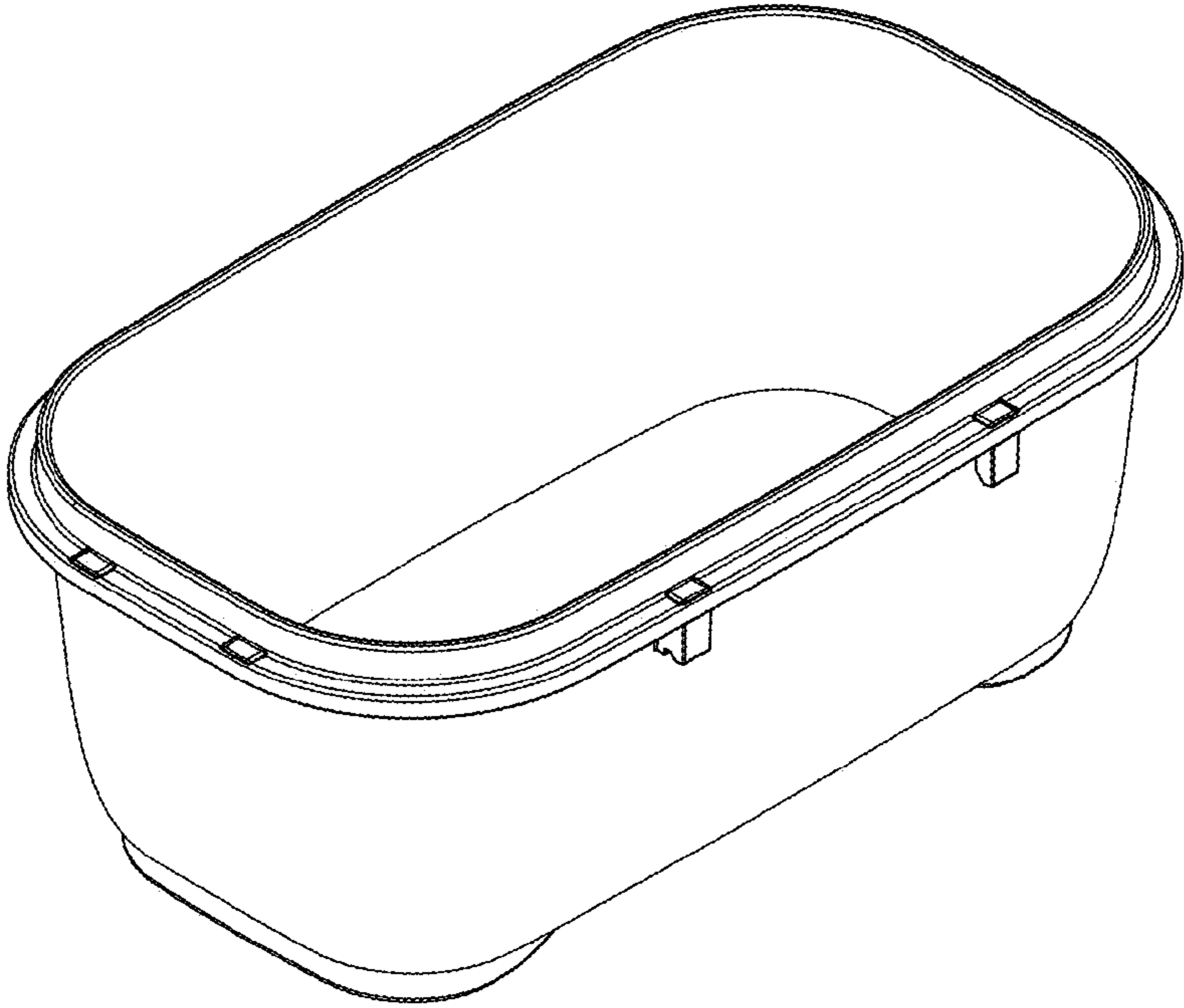


Figure 1

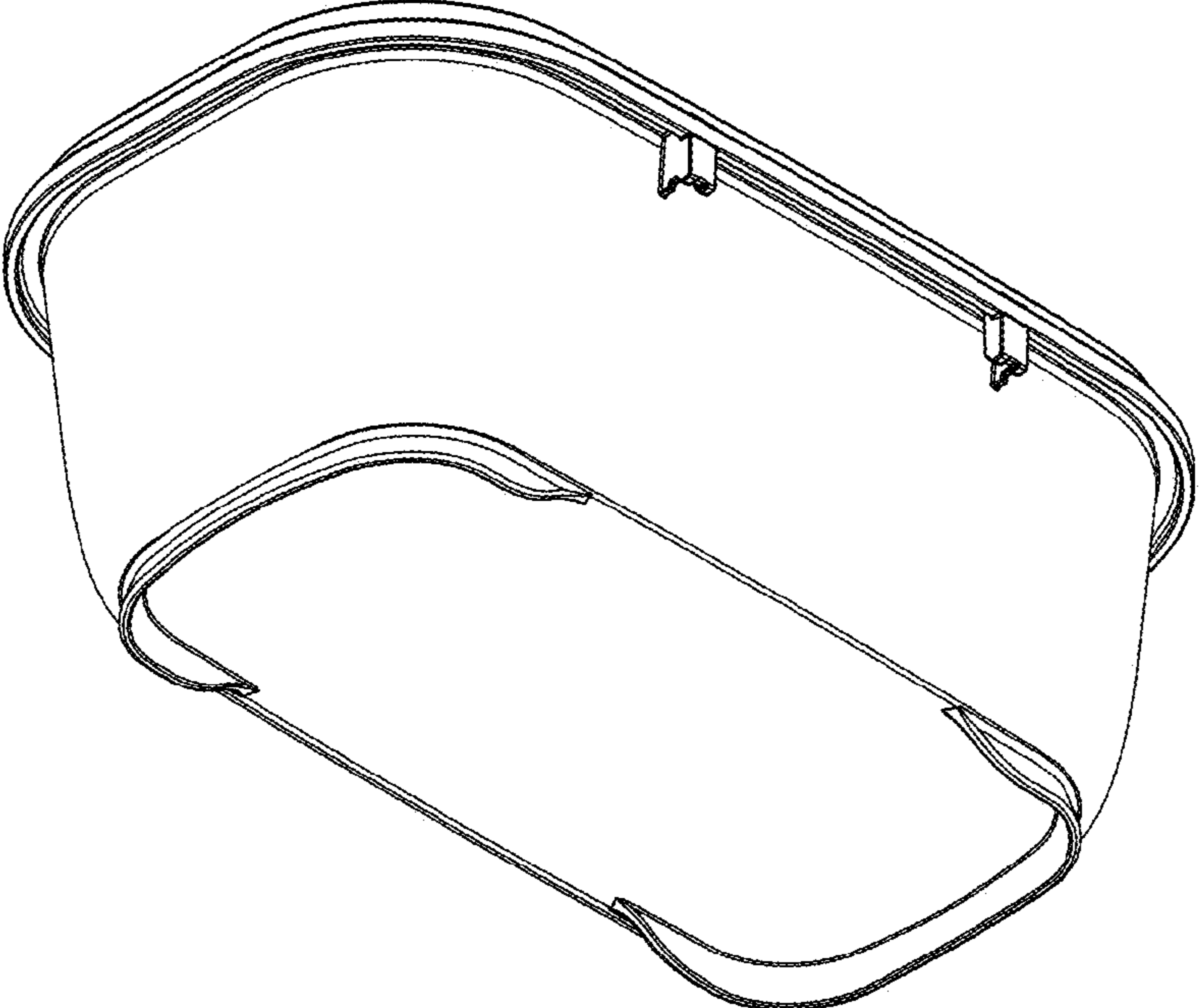


Figure 2

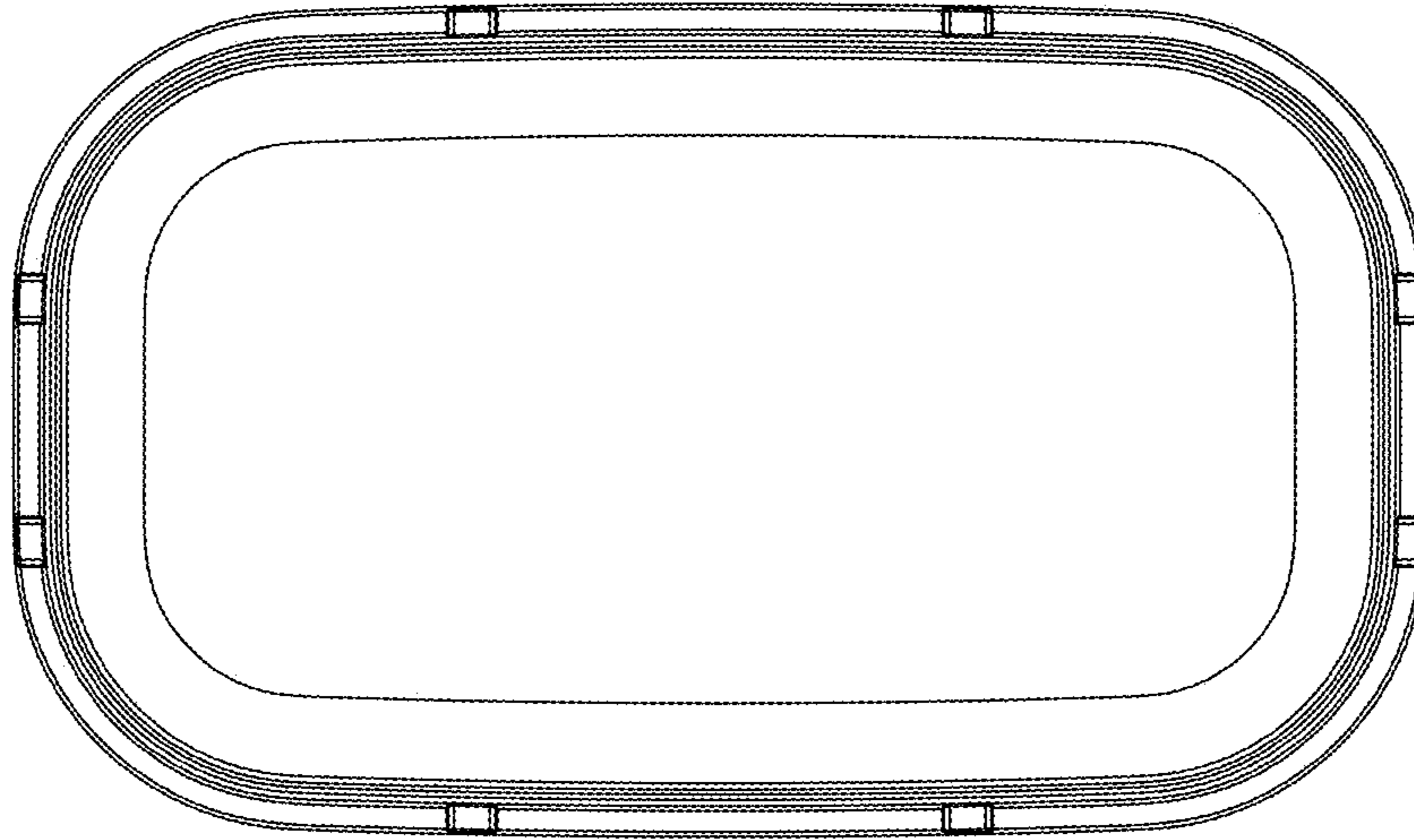


Figure 3

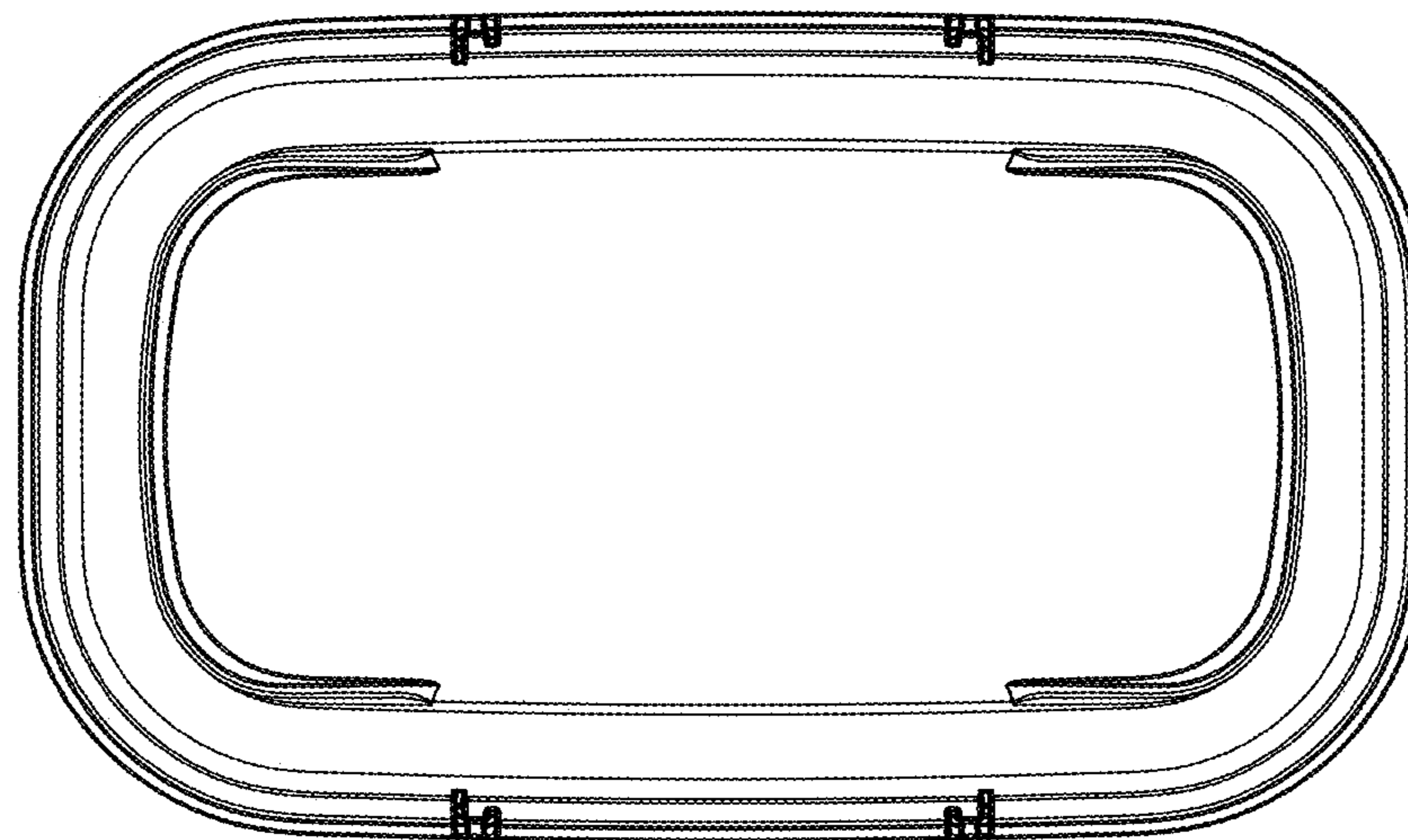


Figure 4

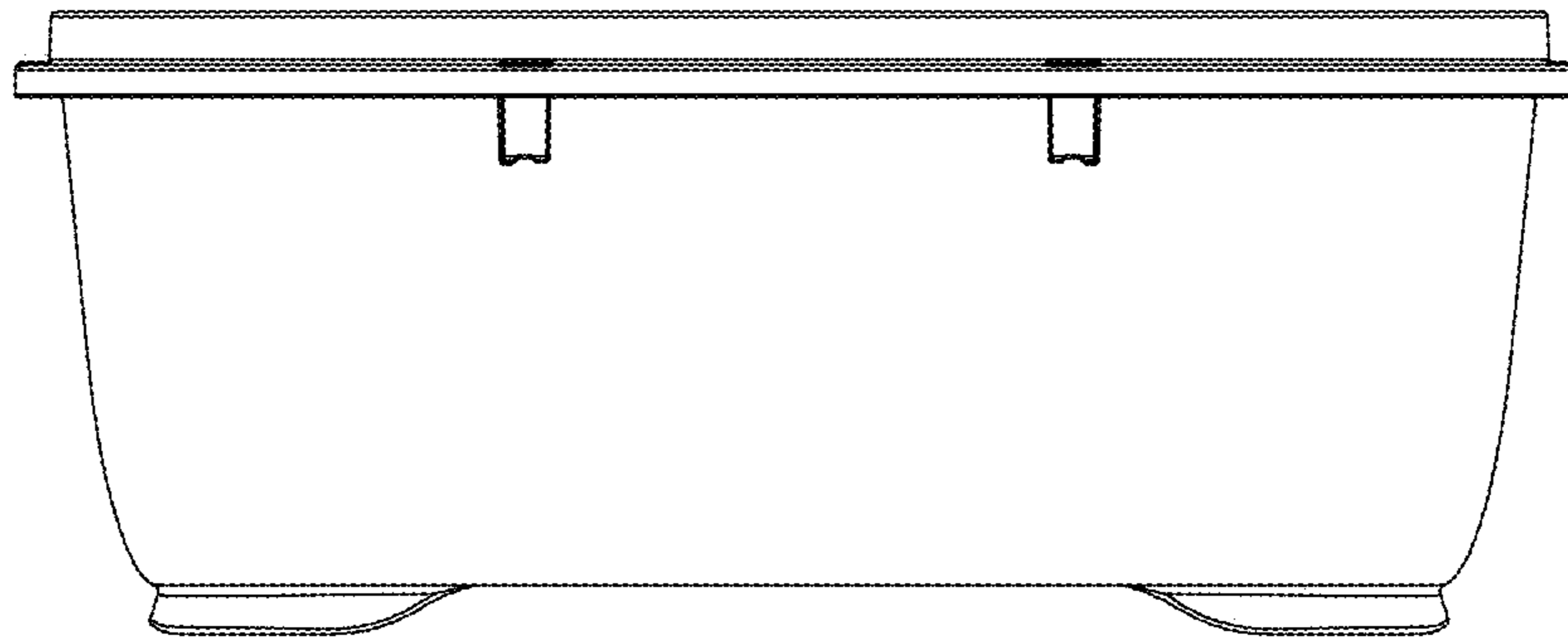


Figure 5

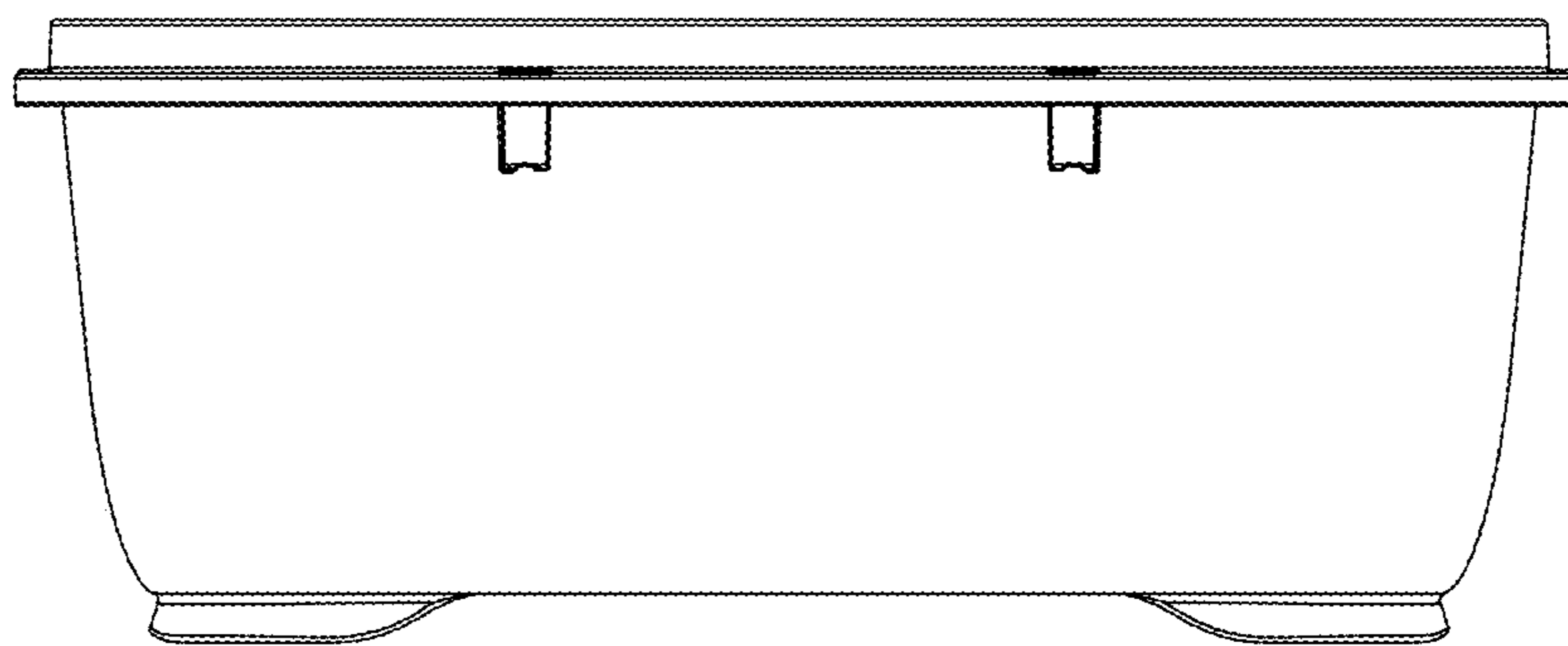


Figure 6

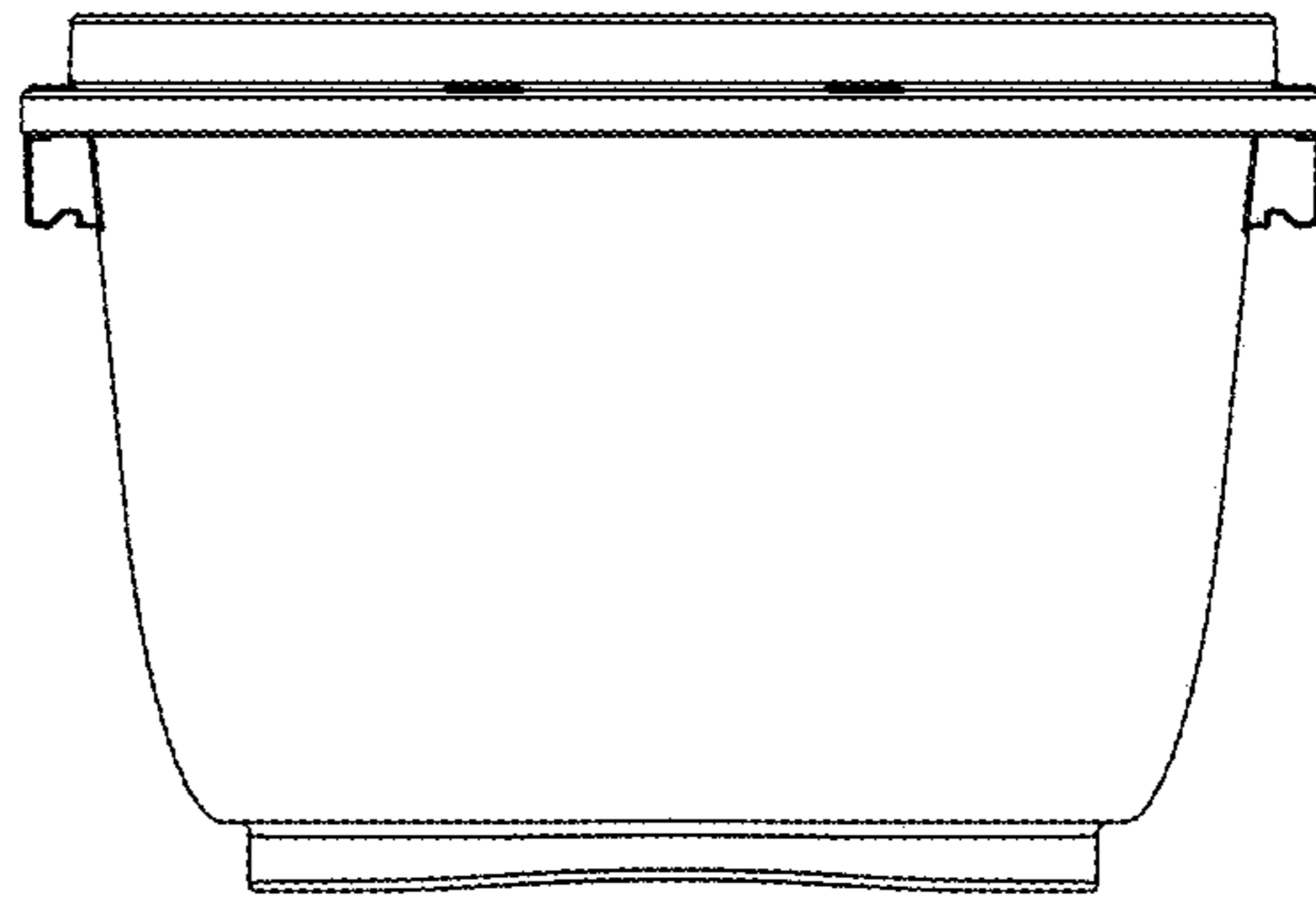


Figure 7

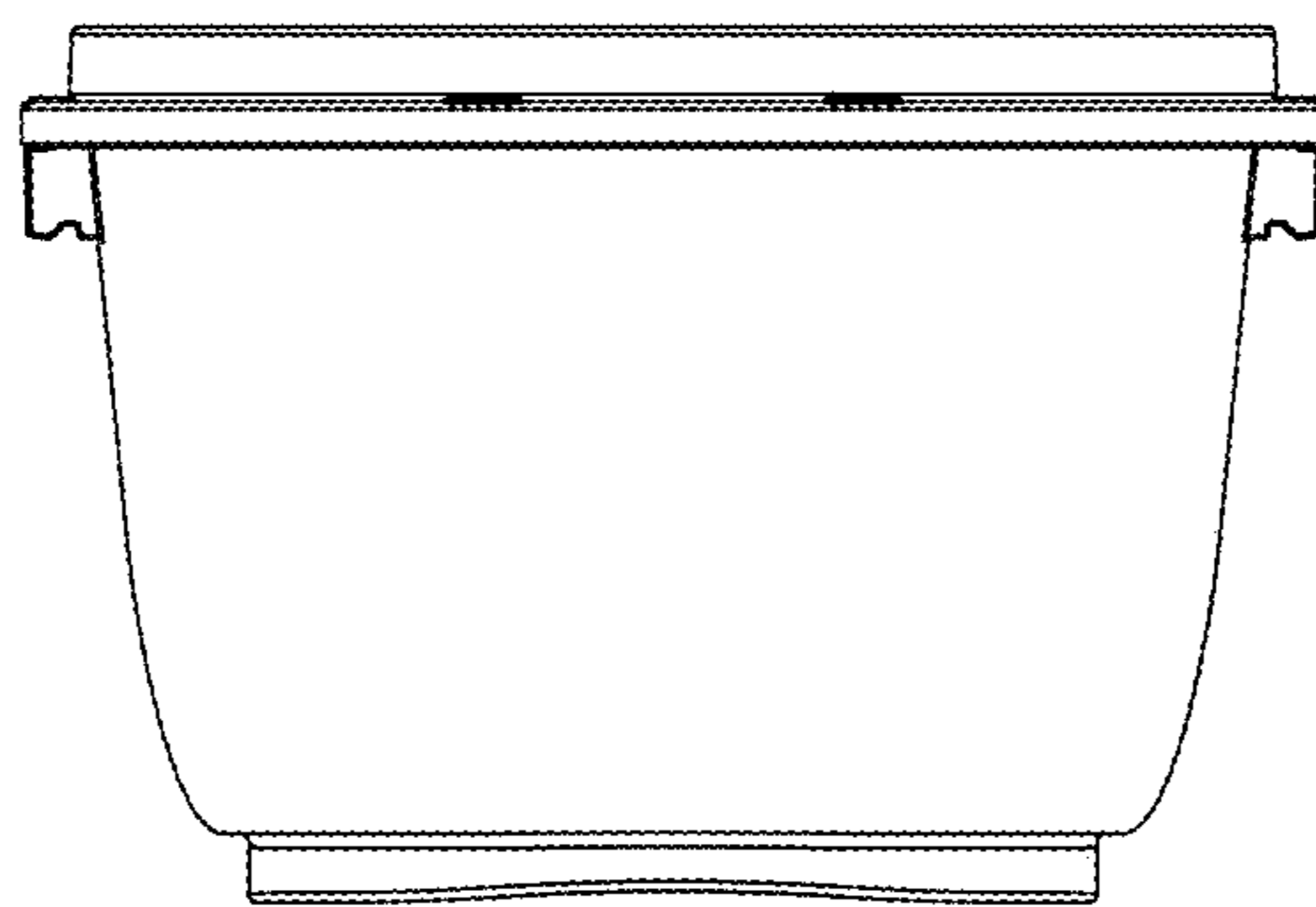


Figure 8