



US00D909141S

(12) **United States Design Patent** (10) **Patent No.:** **US D909,141 S**
Hartley et al. (45) **Date of Patent:** **** Feb. 2, 2021**

(54) **CONTAINER BASE**
 (71) Applicant: **The Decor Corporation Pty. Ltd.,**
 Dandenong South (AU)
 (72) Inventors: **Toby Hartley,** Keysborough (AU);
George Kotsiopoulos, Keysborough
 (AU); **Alexander Schoenmakers,**
 Keysborough (AU); **Justin Armistead,**
 Keysborough (AU)

D644,886 S * 9/2011 Samartgis D7/602
 D717,121 S * 11/2014 Carlson D7/602
 D717,122 S * 11/2014 Carlson D7/602
 D759,478 S * 6/2016 Fife D9/425
 D810,285 S * 2/2018 Adams D24/123
 D811,213 S * 2/2018 Pickard D9/425
 D815,495 S * 4/2018 Barea D7/602
 10,611,548 B2 * 4/2020 Pickard B65D 1/34
 2009/0120937 A1 * 5/2009 Vovan B65D 43/0206
 220/266

* cited by examiner

(73) Assignee: **The Decor Corporation Pty. Ltd.,**
 Dandenong South (AU)

Primary Examiner — Susan E Krakower

Assistant Examiner — Andrew Kerr

(**) Term: **15 Years**

(74) *Attorney, Agent, or Firm* — Stevens & Showalter
LLP

(21) Appl. No.: **29/700,111**

(22) Filed: **Jul. 31, 2019**

(30) **Foreign Application Priority Data**

Feb. 5, 2019 (AU) 201910606

(51) **LOC (13) Cl.** **07-07**

(52) **U.S. Cl.**
USPC **D7/602**

(58) **Field of Classification Search**
USPC D7/601, 602, 603, 612, 629, 630,
D7/538–542, 396.6; D9/414, 424, 431,
D9/559, 575; D19/102
CPC ... B65D 1/00; B65D 1/26; B65D 1/34; B65D
1/36
See application file for complete search history.

(56) **References Cited**

U.S. PATENT DOCUMENTS

D458,085 S * 6/2002 Kim D7/602
D644,885 S * 9/2011 Samartgis D7/602

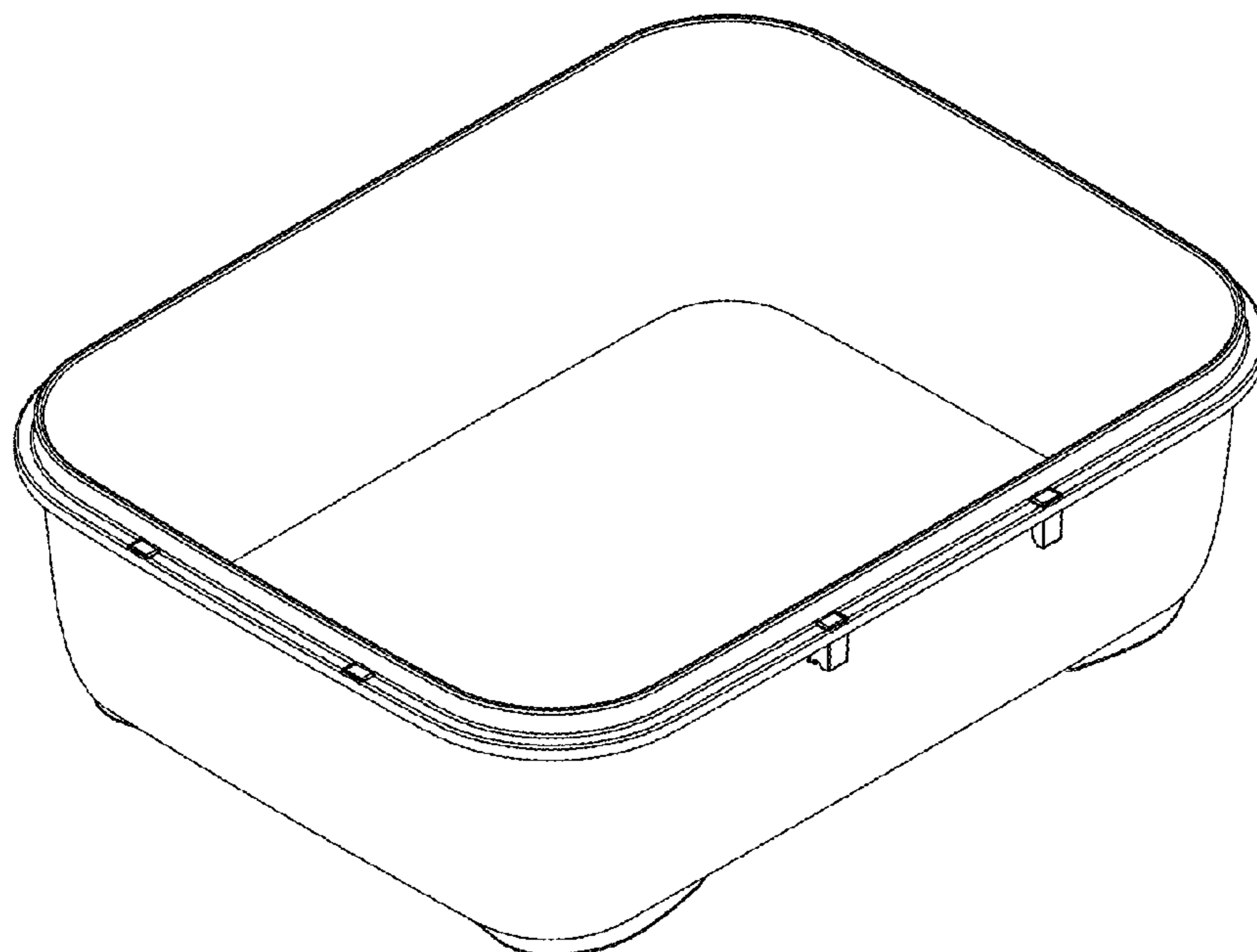
(57) **CLAIM**

The ornamental design for a container base, as shown and described.

DESCRIPTION

FIG. 1 is a top front perspective view of a container base showing our new design;
 FIG. 2 is a bottom rear perspective view thereof;
 FIG. 3 is a top plan view thereof;
 FIG. 4 is a bottom plan view thereof;
 FIG. 5 is a front elevation view thereof;
 FIG. 6 is a rear elevation view thereof;
 FIG. 7 is left side elevation view thereof; and,
 FIG. 8 is a right side elevation view thereof.

1 Claim, 4 Drawing Sheets



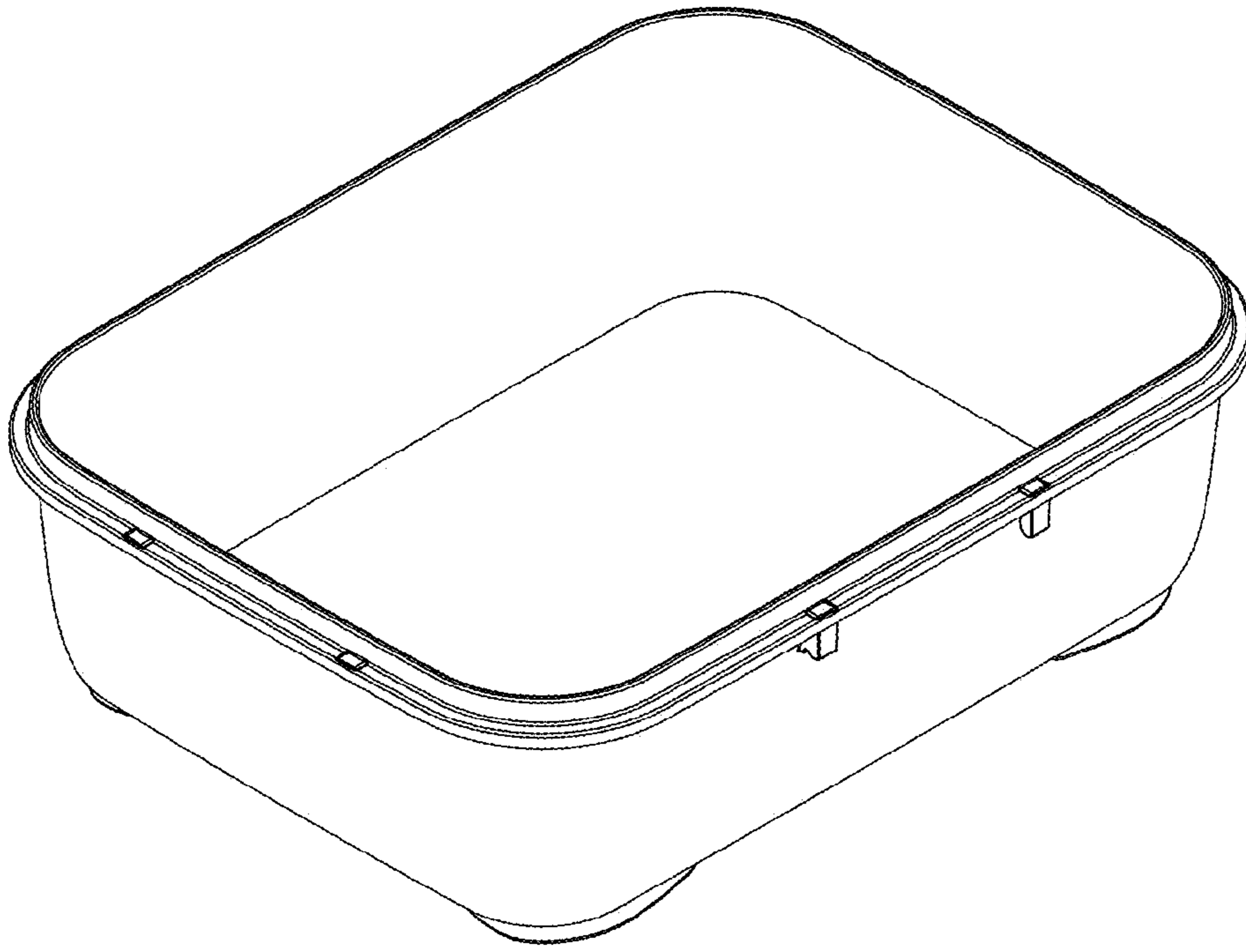


Figure 1

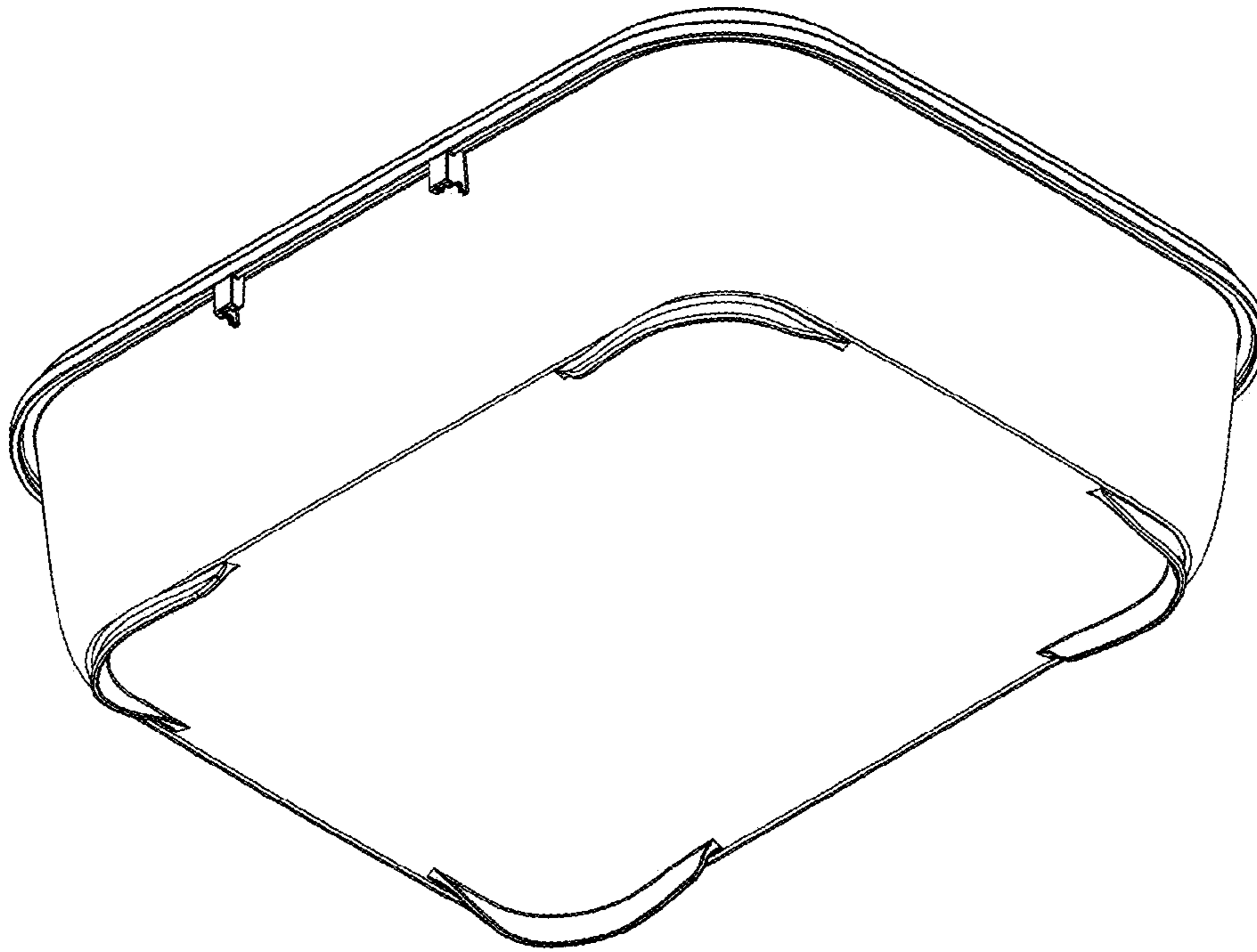


Figure 2

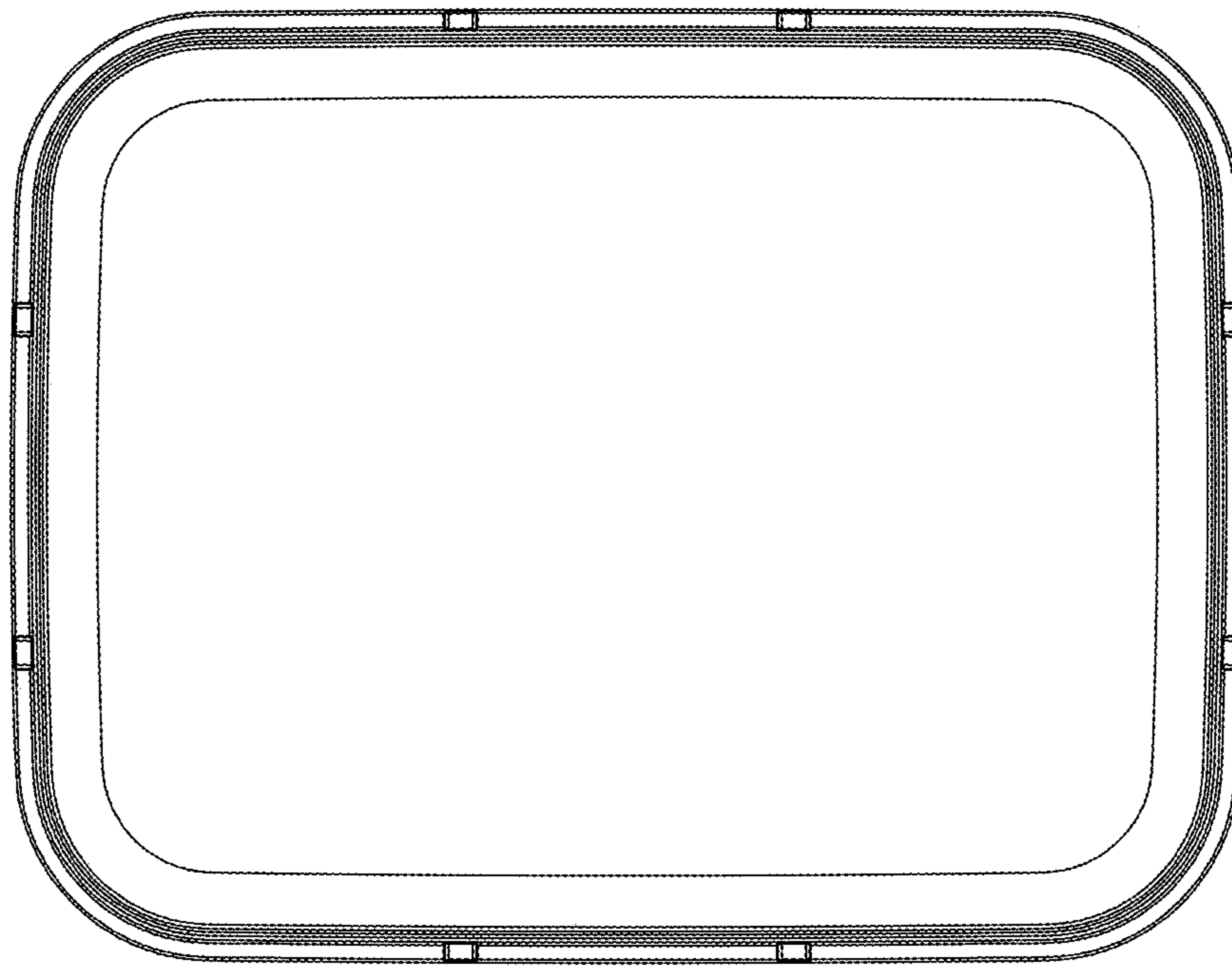


Figure 3

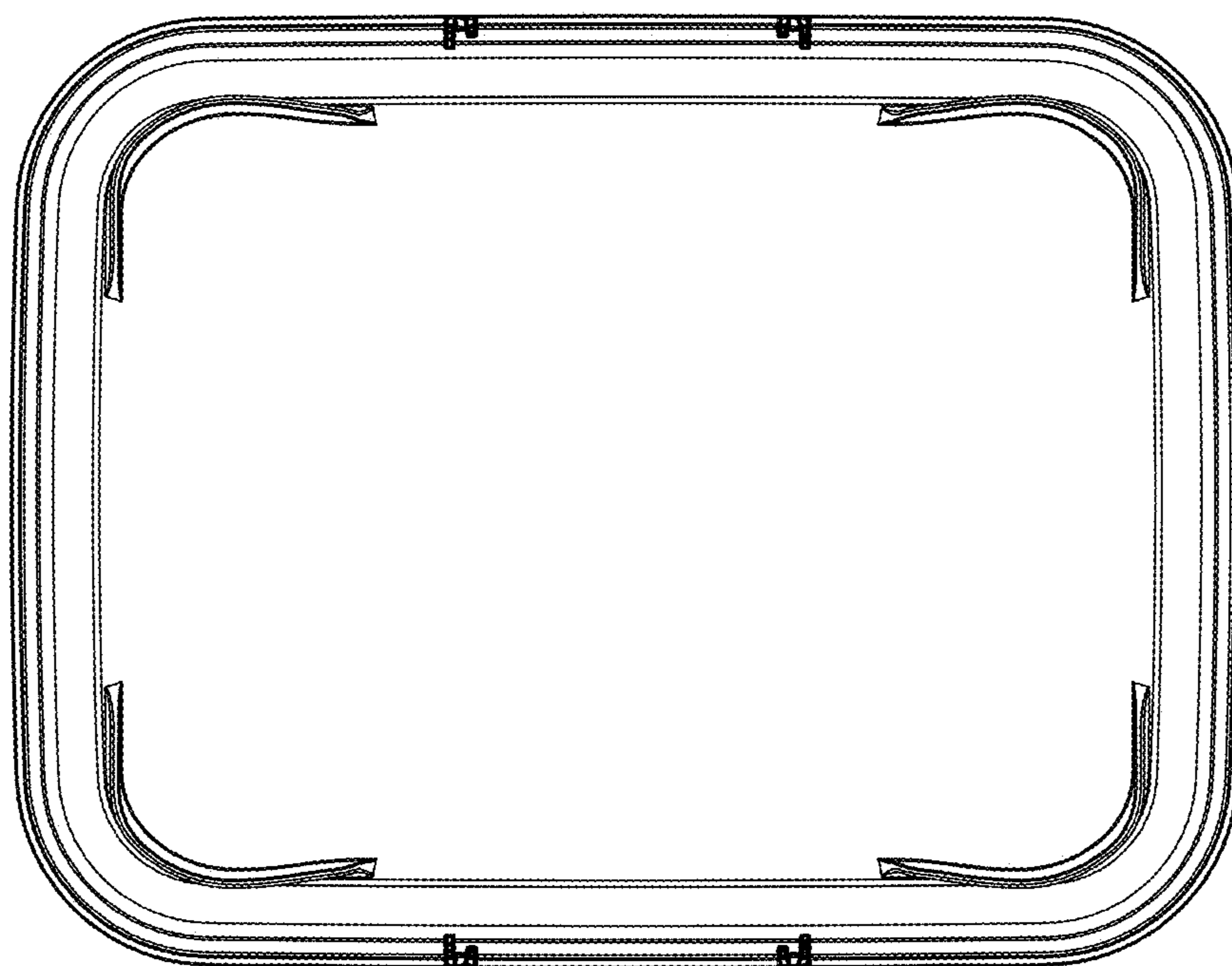


Figure 4

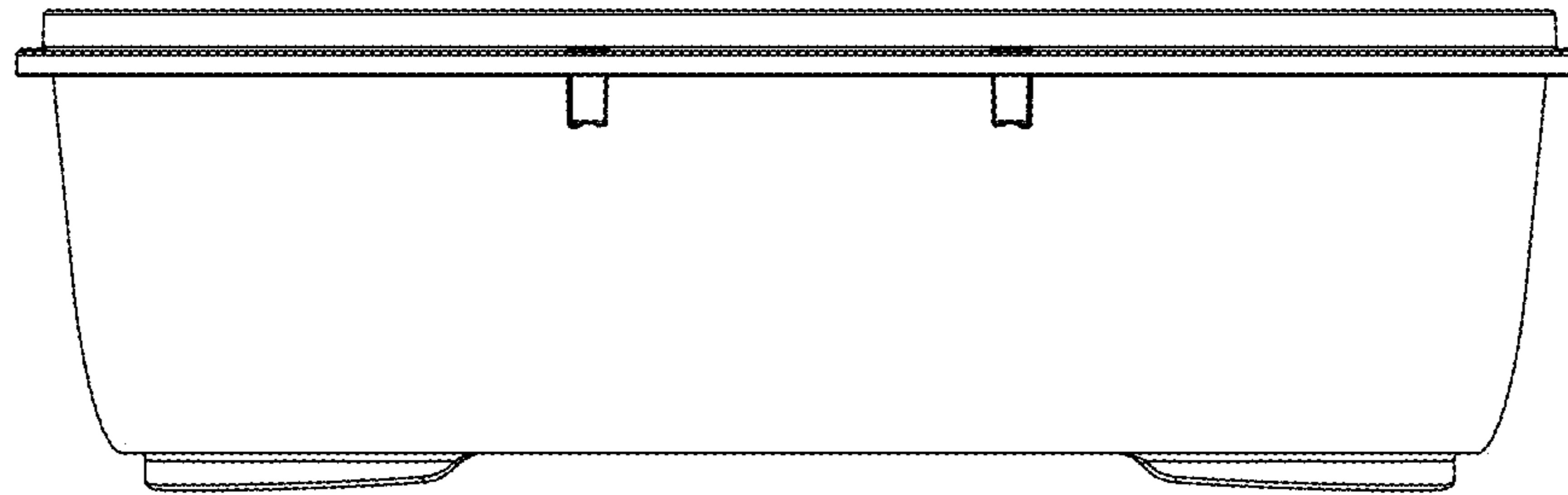


Figure 5

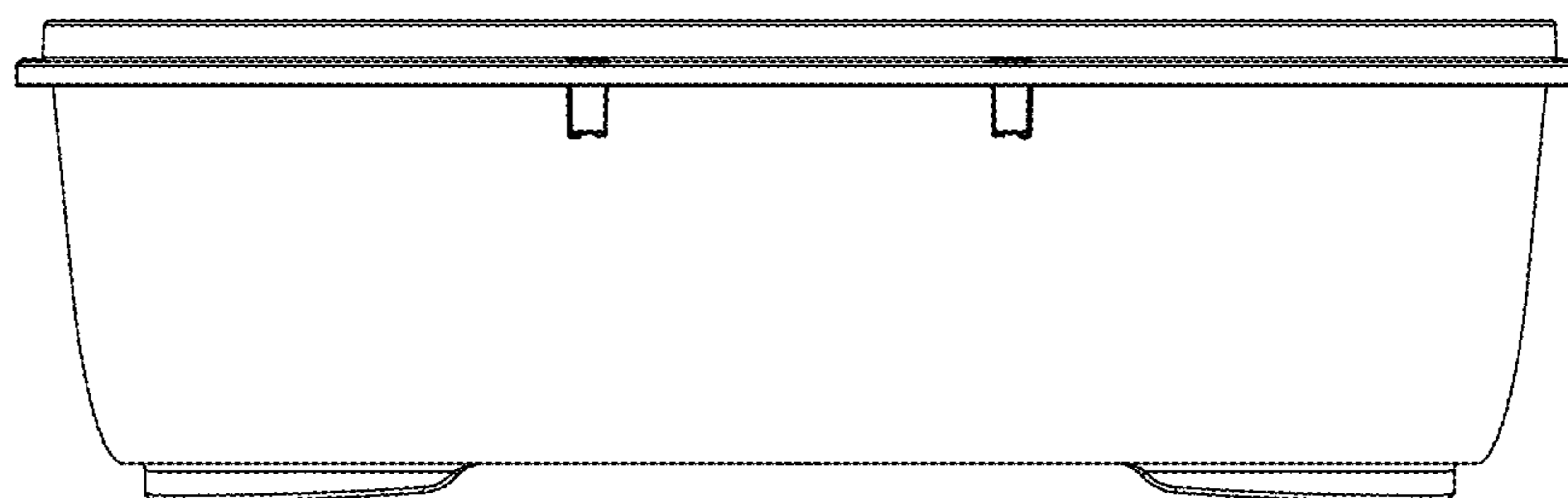


Figure 6

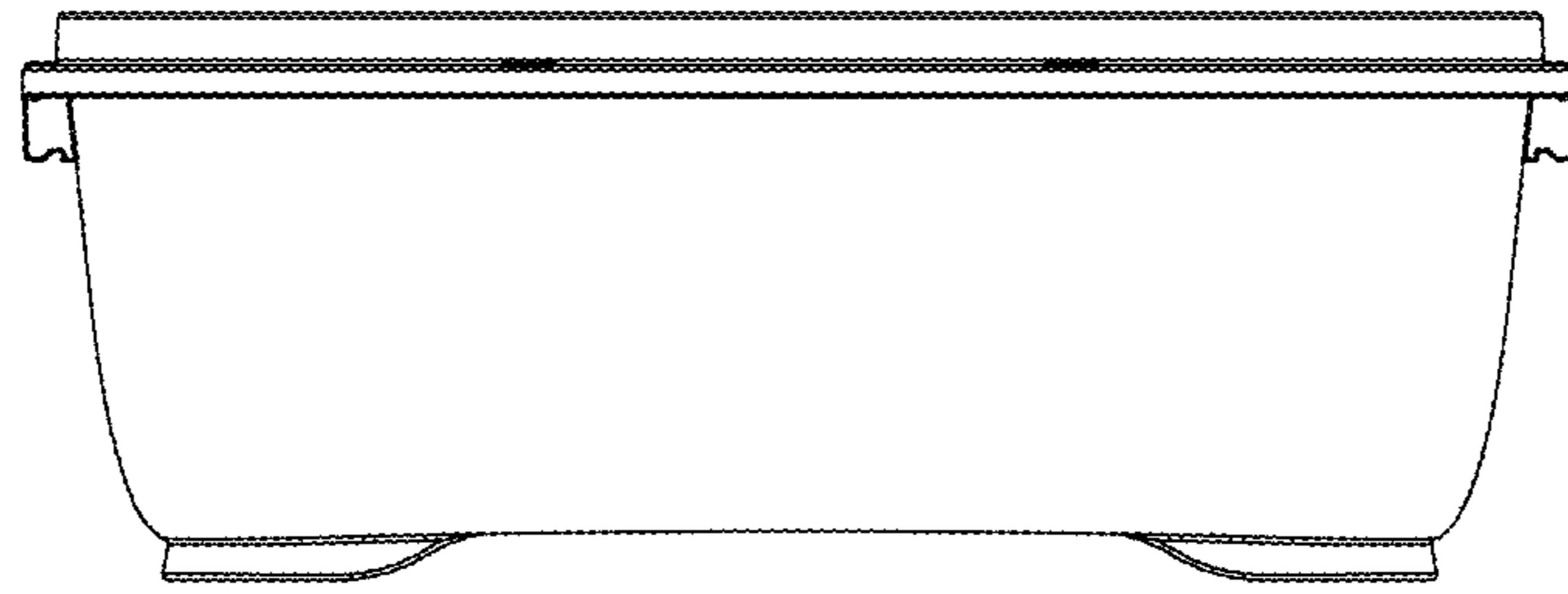


Figure 7

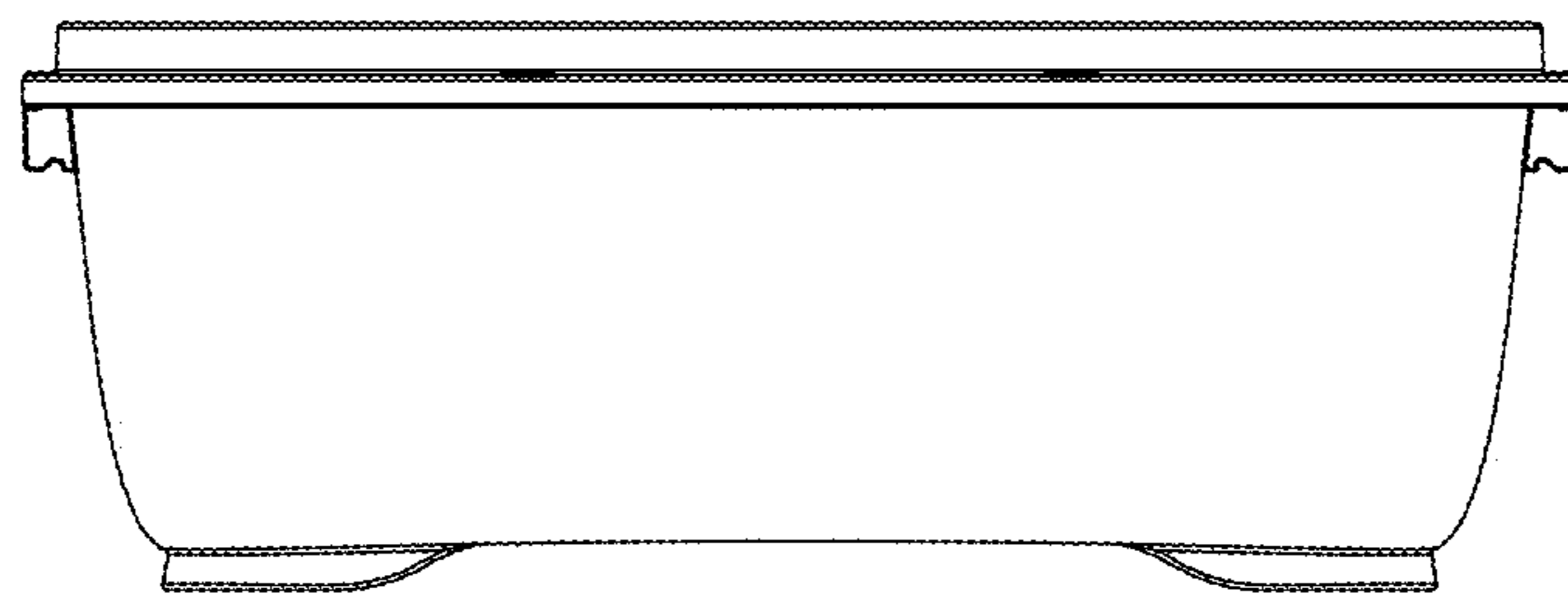


Figure 8