



US00D909140S

(12) **United States Design Patent** (10) **Patent No.:** **US D909,140 S**
Armistead et al. (45) **Date of Patent:** **** Feb. 2, 2021**

- (54) **CONTAINER BASE**
- (71) Applicant: **The Decor Corporation Pty. Ltd.,**
Dandenong South (AU)
- (72) Inventors: **Justin Armistead, Keysborough (AU);**
Jim Samartgis, Dandenong South (AU)
- (73) Assignee: **The Decor Corporation Pty. Ltd.,**
Dandenong South (AU)
- (**) Term: **15 Years**
- (21) Appl. No.: **29/679,846**
- (22) Filed: **Feb. 11, 2019**
- (30) **Foreign Application Priority Data**
- Aug. 17, 2018 (AU) 201814898
- (51) **LOC (13) Cl.** **07-07**
- (52) **U.S. Cl.**
USPC **D7/602; D7/553.2**
- (58) **Field of Classification Search**
USPC D7/541, 589, 598, 600, 629, 505, 555,
D7/602, 553.2; D9/421; 206/563;
229/904
CPC B65D 5/48018; B65D 1/36; B65D 5/10;
B65D 81/3823; B65D 43/0212
See application file for complete search history.

- (56) **References Cited**
- U.S. PATENT DOCUMENTS
- 2,924,372 A * 2/1960 Kirkeby B65D 5/48018
206/563
- D224,662 S * 8/1972 Swett D7/546
- D232,302 S * 8/1974 Lazure D9/761
- D332,393 S * 1/1993 Boone D9/760
- D408,222 S * 4/1999 Carter D7/541
- D442,484 S * 5/2001 Maxwell D7/629
- D464,567 S * 10/2002 Baerenwald D9/432

- D472,774 S * 4/2003 Pelstring D7/629
- D474,402 S * 5/2003 Baerenwald D9/420
- D484,364 S * 12/2003 Bailey D7/357
- D515,880 S * 2/2006 Lerner D7/629
- D529,821 S * 10/2006 Wilcox D9/761
- D530,625 S * 10/2006 Darin D9/761
- 7,293,695 B2 * 11/2007 Stier B65D 5/10
206/564
- D574,189 S * 8/2008 Stamper D7/505
- D595,155 S * 6/2009 Larson D9/425
- D599,611 S * 9/2009 Hoekstra D7/354
- D601,381 S * 10/2009 Stamper D7/505
- D608,153 S * 1/2010 Furlong D7/602
- D615,822 S * 5/2010 Klein D7/541
- D643,311 S * 8/2011 Meyers D9/761
- D645,708 S * 9/2011 Stamper D7/602
- D649,869 S * 12/2011 Gibson D9/421
- D650,267 S * 12/2011 Gibson D9/428
- D656,789 S * 4/2012 Locke D7/541
- D659,023 S * 5/2012 Hsu D9/737
- D665,628 S * 8/2012 Mayer D7/553.2
- D666,058 S * 8/2012 Liang D7/541
- D686,499 S * 7/2013 Wilmers D9/456

(Continued)

Primary Examiner — Cynthia R Underwood
 (74) *Attorney, Agent, or Firm* — Stevens & Showalter
 LLP

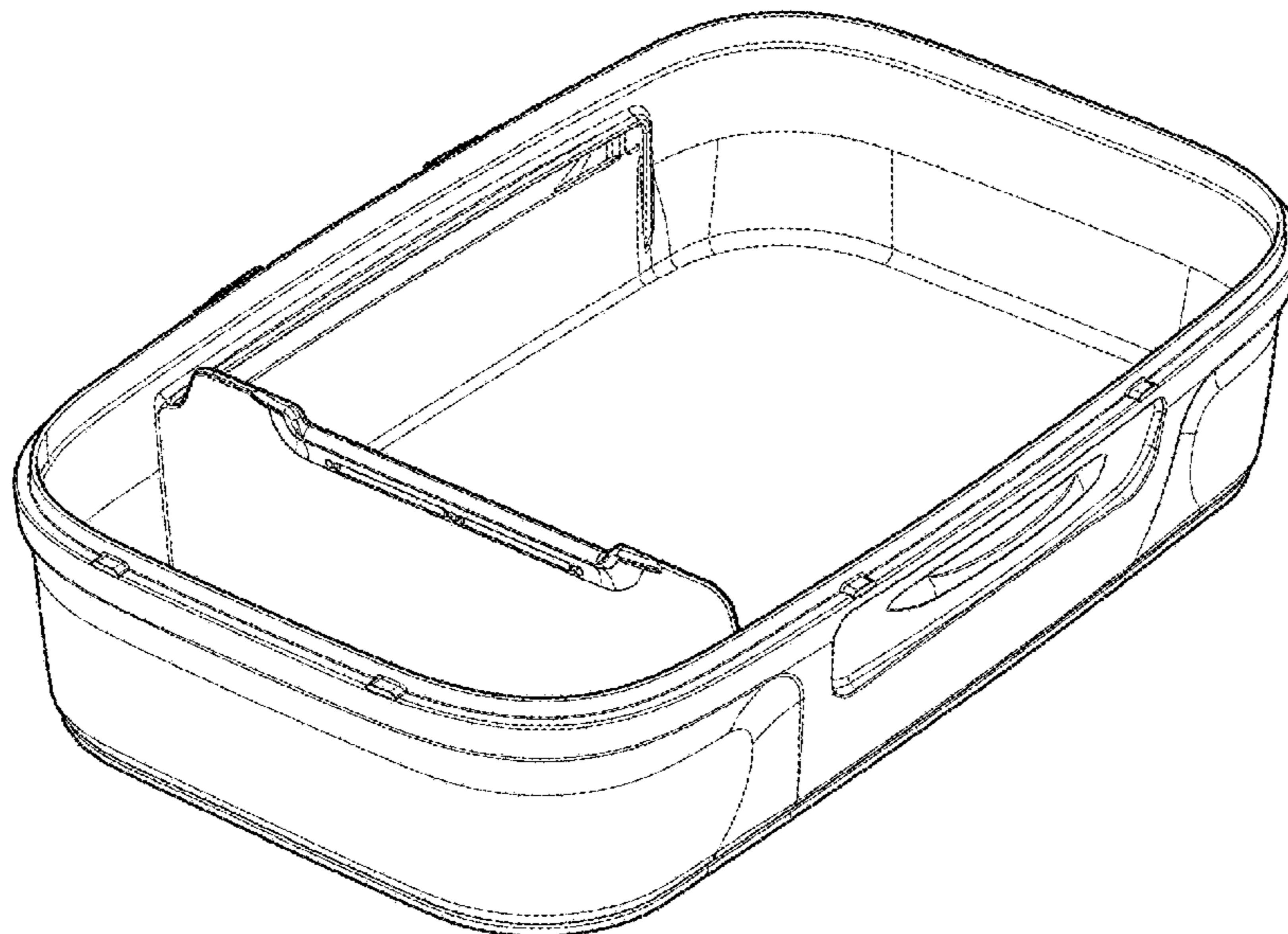
(57) **CLAIM**

The ornamental design for a container base, as shown and described.

DESCRIPTION

FIG. 1 is a top perspective view of the container base;
 FIG. 2 is a bottom perspective view thereof;
 FIG. 3 is a top plan view thereof;
 FIG. 4 is a bottom plan view thereof;
 FIG. 5 is a front elevation view thereof;
 FIG. 6 is a rear elevation view thereof;
 FIG. 7 is a left side elevation view thereof; and,
 FIG. 8 is a right side elevation view thereof.

1 Claim, 6 Drawing Sheets



(56)

References Cited

U.S. PATENT DOCUMENTS

D688,921	S *	9/2013	Miros	D7/629
D693,180	S *	11/2013	Peterson	D7/555
D696,910	S *	1/2014	Franczyk	D7/629
D698,206	S *	1/2014	Molayem	D7/629
D713,741	S *	9/2014	Wilmers	D9/761
D734,171	S *	7/2015	Bennett	D9/762
D736,616	S *	8/2015	Suen	D9/425
D750,973	S *	3/2016	McSweeney	D9/756
D760,035	S *	6/2016	Kim	D7/629
D763,706	S *	8/2016	Shum	D9/737
D764,237	S *	8/2016	Yen	D7/629
D778,115	S *	2/2017	Strachan	D7/553.1
D778,155	S *	2/2017	Strachan	D9/432
D792,211	S *	7/2017	Foster	D9/425
D814,316	S *	4/2018	Overgaag	D9/759
D831,505	S *	10/2018	McSweeney	D9/756
D840,232	S *	2/2019	Sill	D9/456
D876,903	S *	3/2020	Moore	D7/602
D880,957	S *	4/2020	Xu	D7/629
D885,187	S *	5/2020	Sill	D9/456
D891,879	S *	8/2020	Adams, Jr.	D7/629
2005/0124521	A1 *	6/2005	Sadlowski	D06F 39/024 510/295
2006/0201950	A1 *	9/2006	Liu	B65D 1/36 220/526
2010/0224531	A1 *	9/2010	Claffy	B65D 81/3823 206/561
2020/0262637	A1 *	8/2020	Tattam	B65D 5/12

* cited by examiner

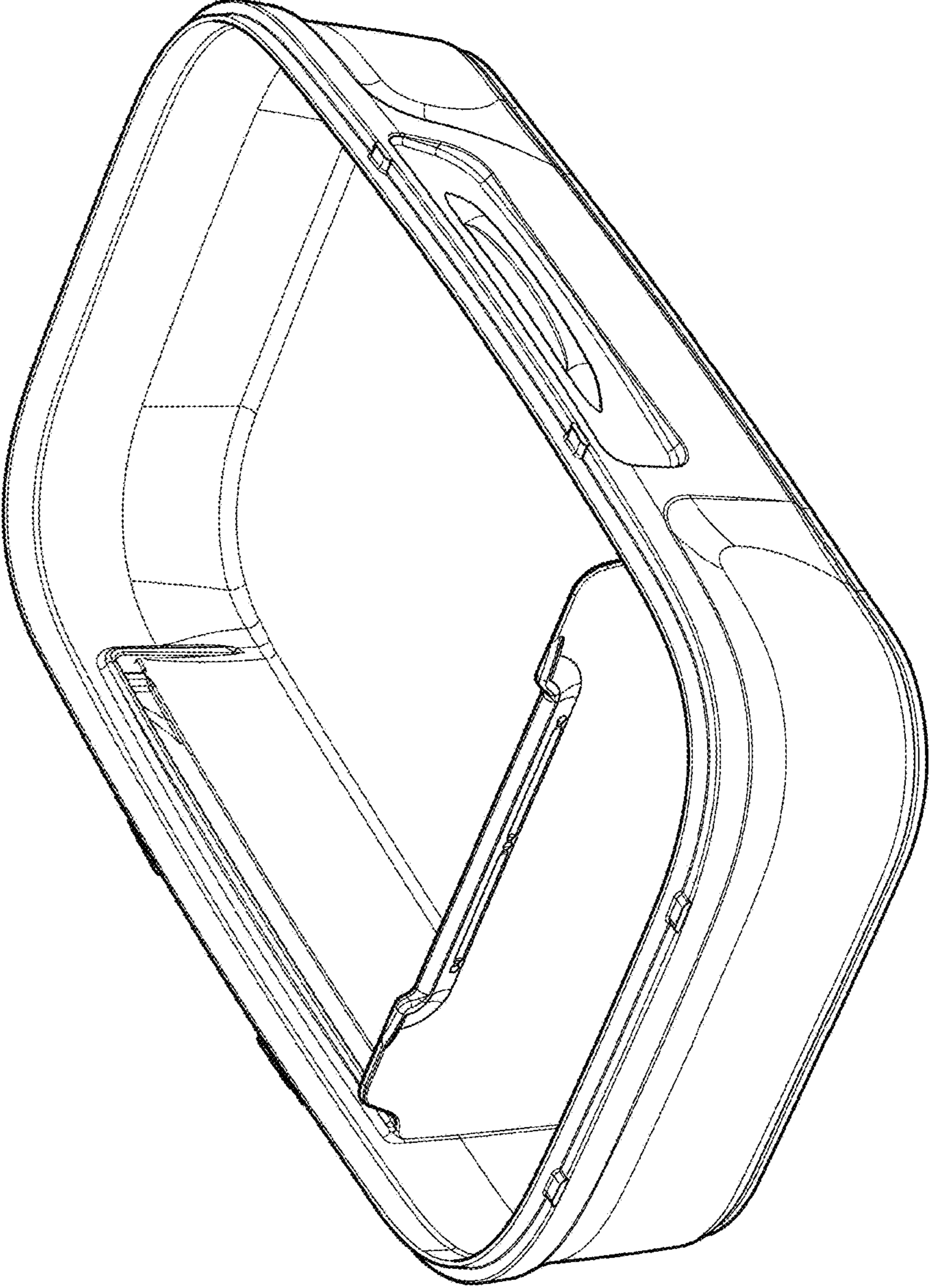


FIGURE 1

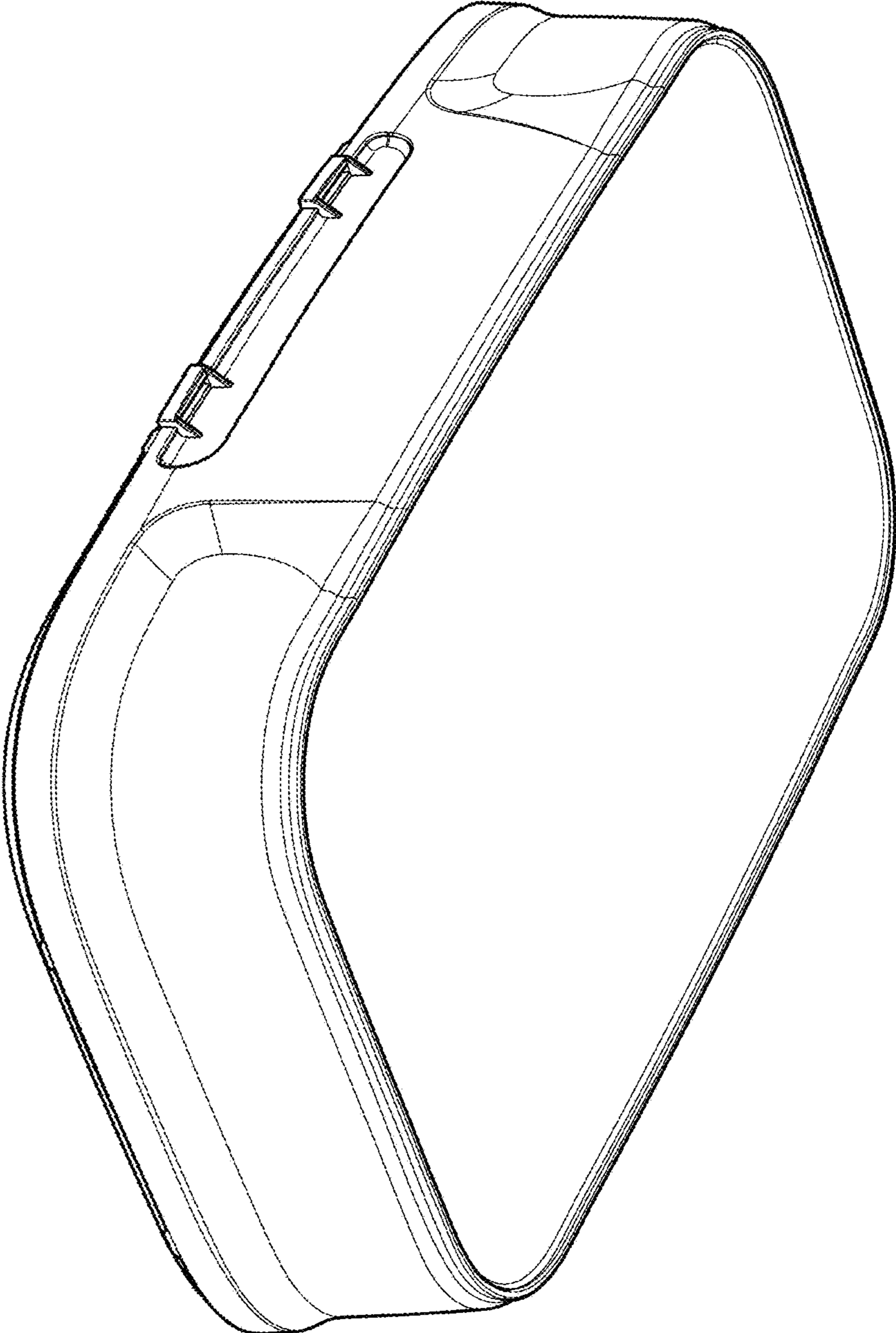


FIGURE 2

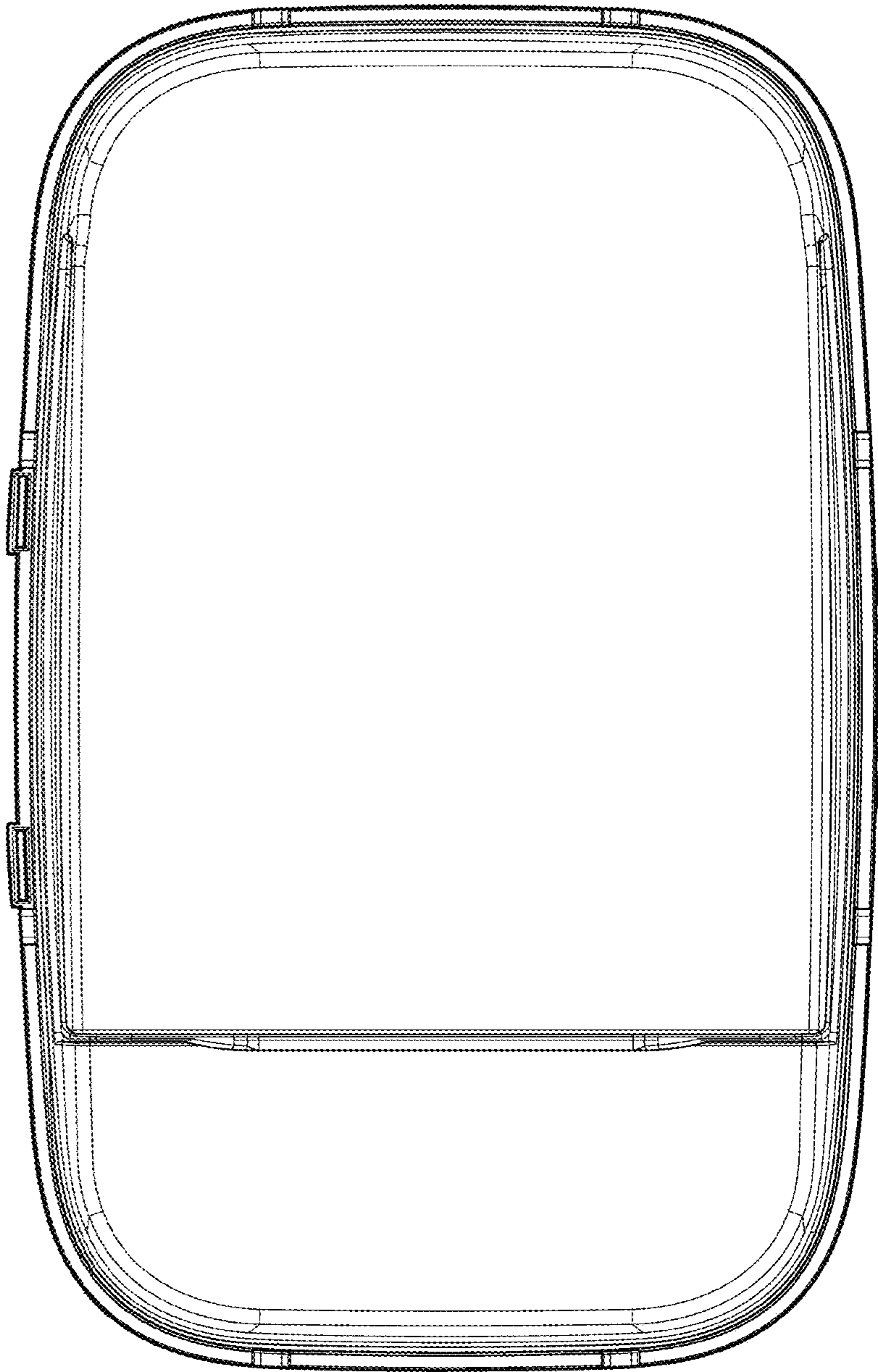


FIGURE 3

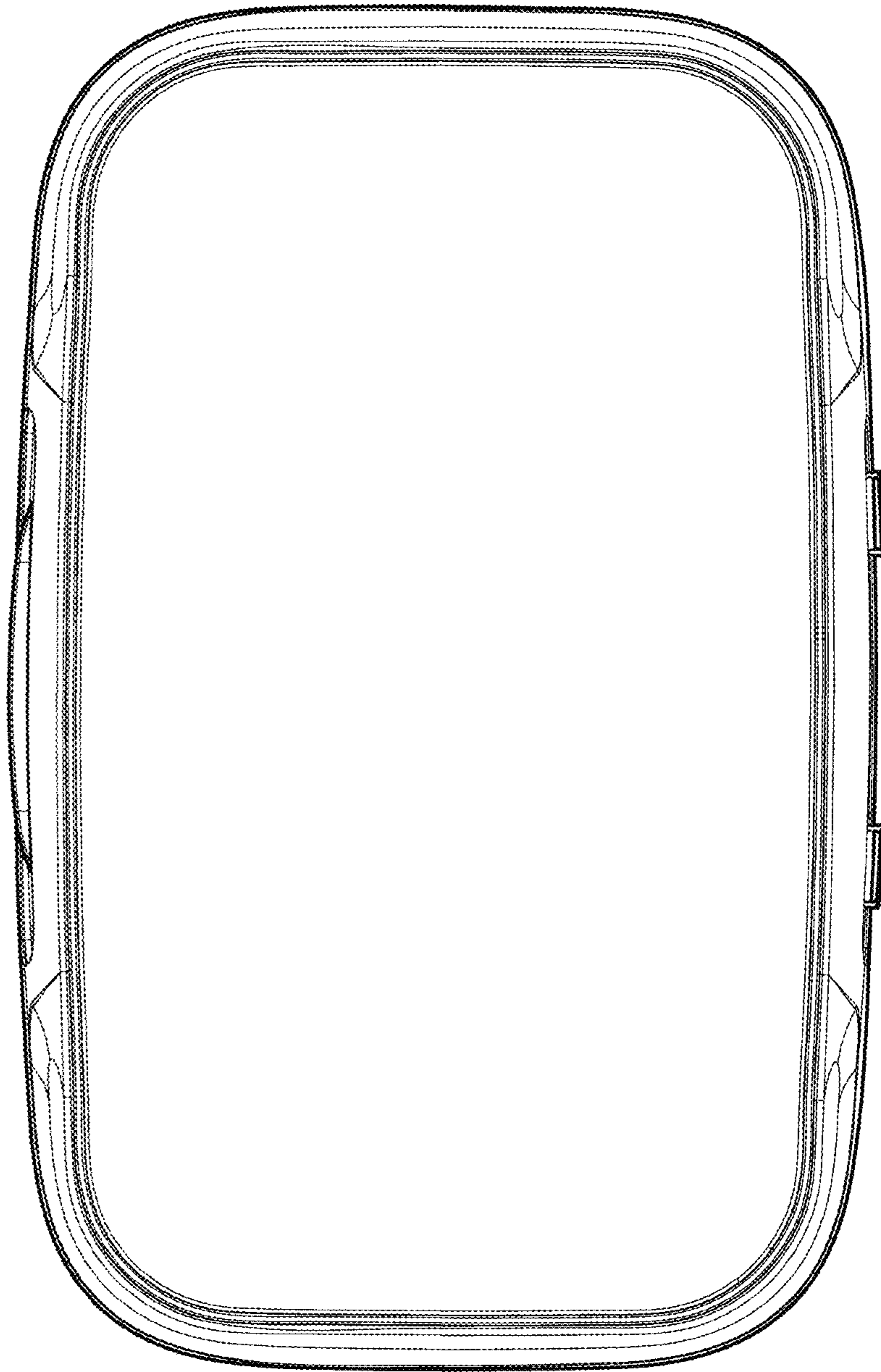


FIGURE 4

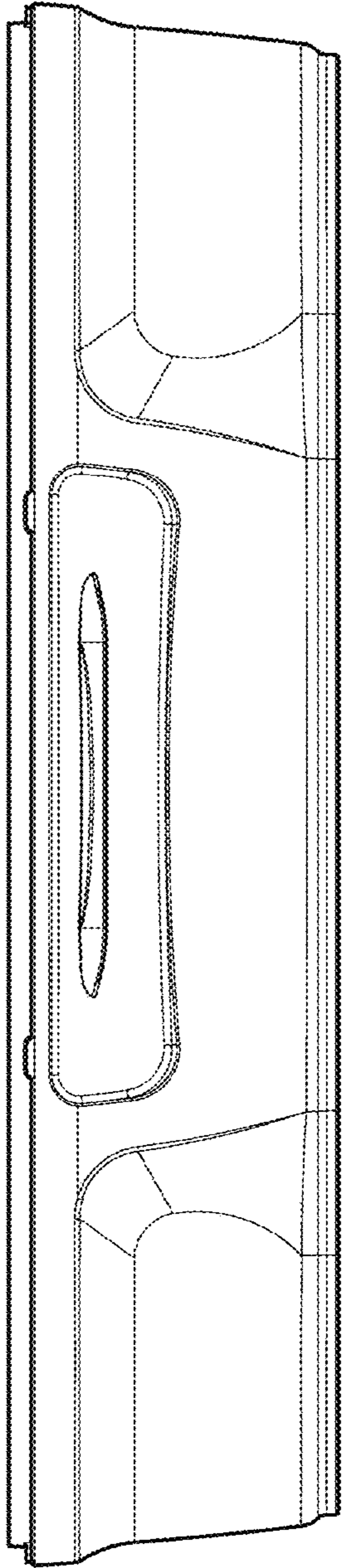


FIGURE 5

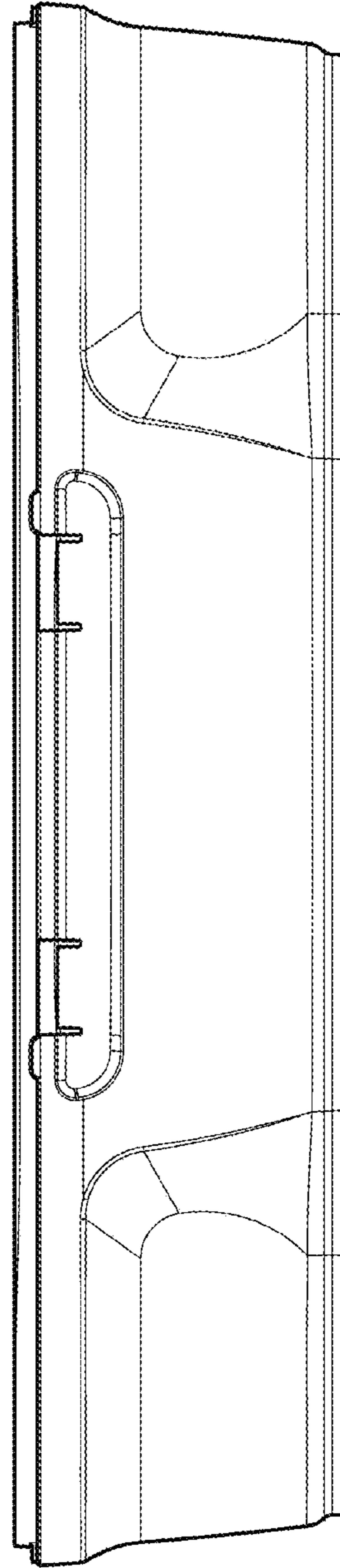


FIGURE 6

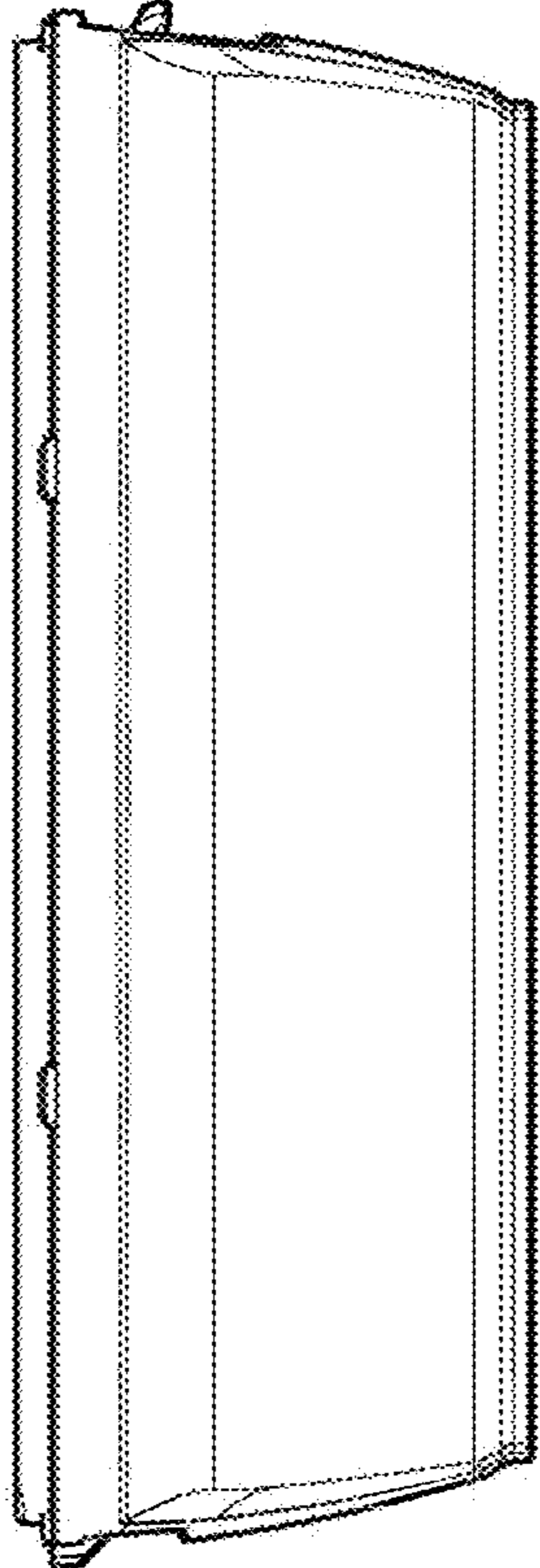


FIGURE 7

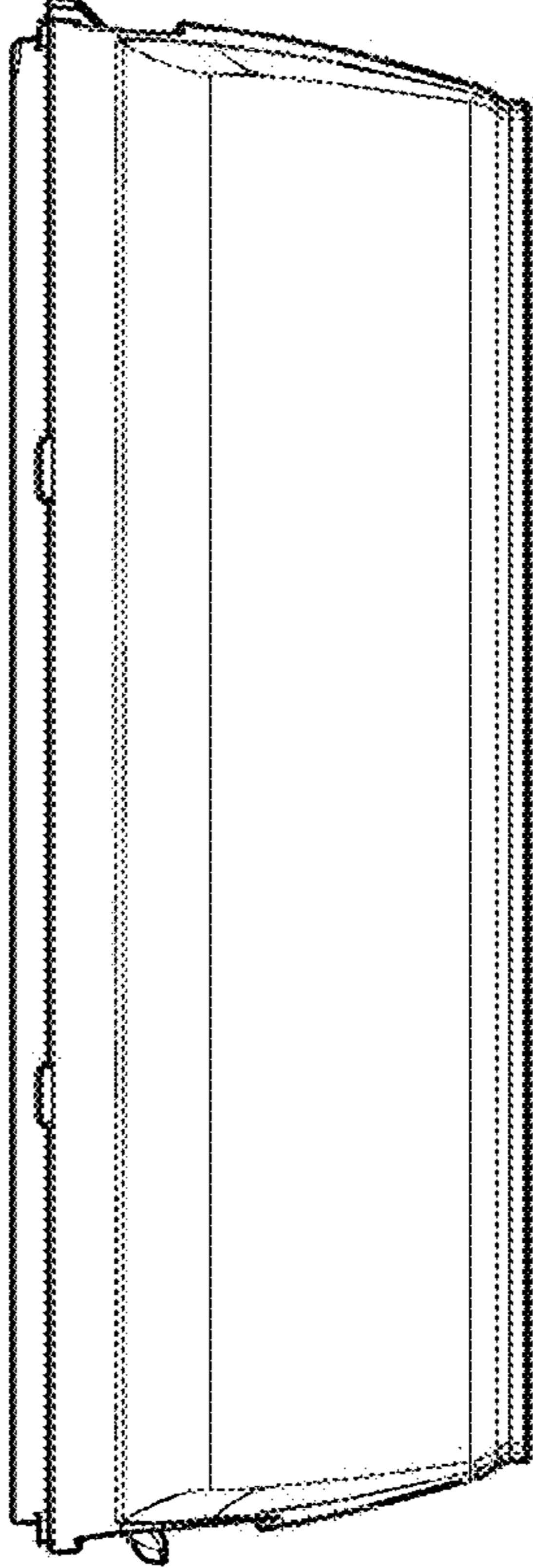


FIGURE 8