



US00D909138S

(12) **United States Design Patent** (10) **Patent No.:** **US D909,138 S**
Song (45) **Date of Patent:** **** Feb. 2, 2021**

- (54) **SPICE RACK**
- (71) Applicant: **Xiaolian Song**, Shenzhen (CN)
- (72) Inventor: **Xiaolian Song**, Shenzhen (CN)
- (**) Term: **15 Years**
- (21) Appl. No.: **29/738,937**
- (22) Filed: **Jun. 22, 2020**
- (51) **LOC (13) Cl.** **06-04**
- (52) **U.S. Cl.**
USPC **D7/600.4; D6/566; D6/569**
- (58) **Field of Classification Search**
USPC D7/600.1–600.4, 704, 701; D6/512, 553,
D6/566, 567, 569, 525, 675.2
CPC A47B 73/00; A47B 73/002; A47B 73/008;
A47B 55/00; A47B 71/00; A47B 75/00;
A47B 2210/05; A47F 5/00; A47F 5/0018;
A47F 5/0056; A47F 5/01; A47J 47/16
See application file for complete search history.

- D769,074 S * 10/2016 Tsai D7/600.4
- D772,015 S 11/2016 Tsai
- 2003/0085188 A1* 5/2003 Klein A47F 5/08
211/118
- 2005/0006541 A1* 1/2005 Magnusson A47B 96/1416
248/235

* cited by examiner

Primary Examiner — Terry A Wallace

(57) **CLAIM**

The ornamental design for a spice rack, as shown and described.

DESCRIPTION

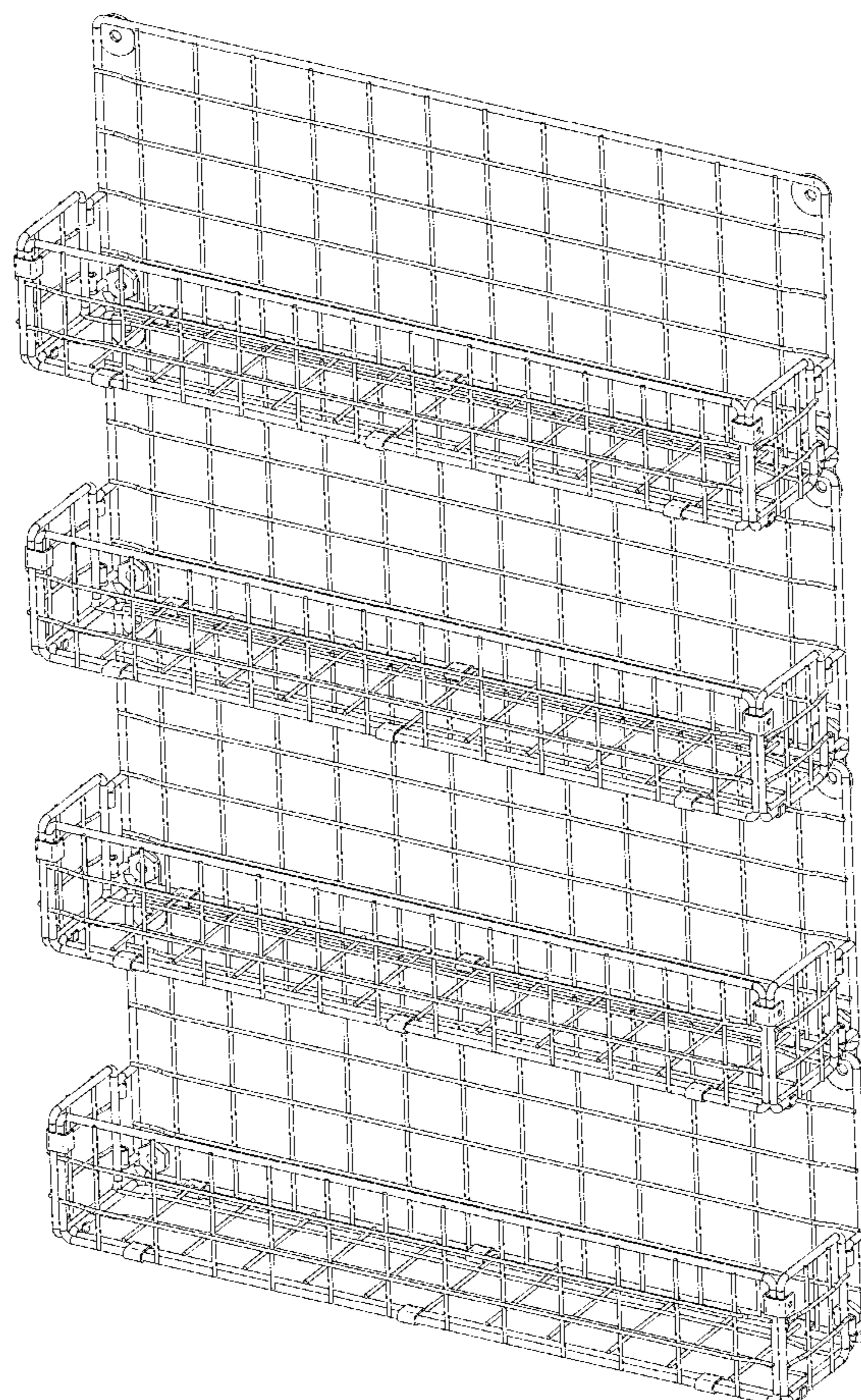
FIG. 1 is a perspective view of a spice rack showing my new design;
 FIG. 2 is another perspective view thereof;
 FIG. 3 is a front elevational view thereof;
 FIG. 4 is a rear elevational view thereof;
 FIG. 5 is a left side elevational view thereof;
 FIG. 6 is a right side elevational view thereof;
 FIG. 7 is a top plan view thereof;
 FIG. 8 is a bottom plan view thereof;
 FIG. 9 is an exploded perspective view thereof;
 FIG. 10 is an exploded perspective view of the spice rack where the spice rack is in a first folding state; and,
 FIG. 11 is an exploded perspective view of the spice rack where the spice rack is in a second folding state.

1 Claim, 11 Drawing Sheets

(56) **References Cited**

U.S. PATENT DOCUMENTS

- D437,165 S * 2/2001 Goodman D7/600.4
- D739,681 S * 9/2015 Bee D7/600.4
- D760,033 S * 6/2016 Khaitan D7/600.4



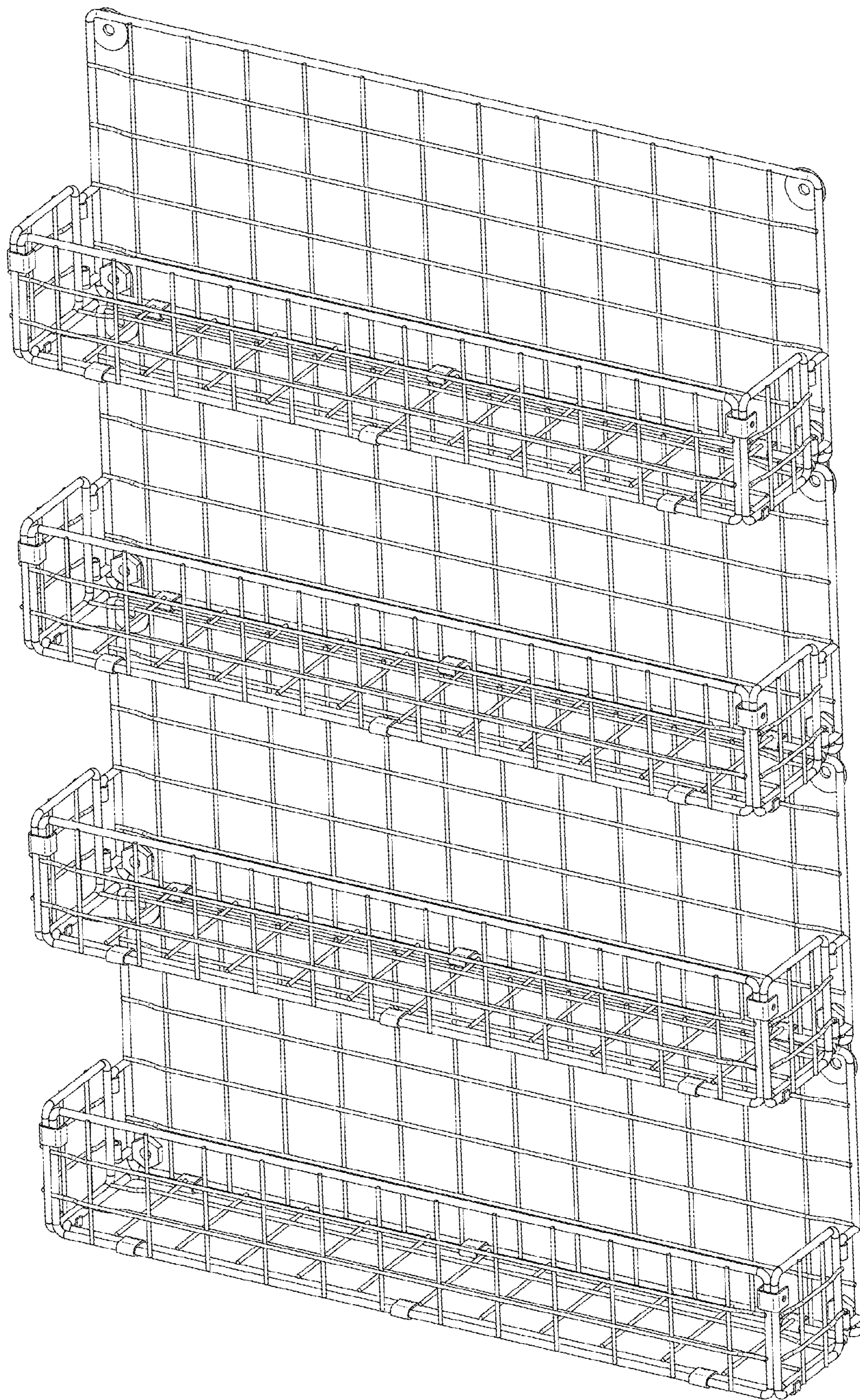


FIG. 1

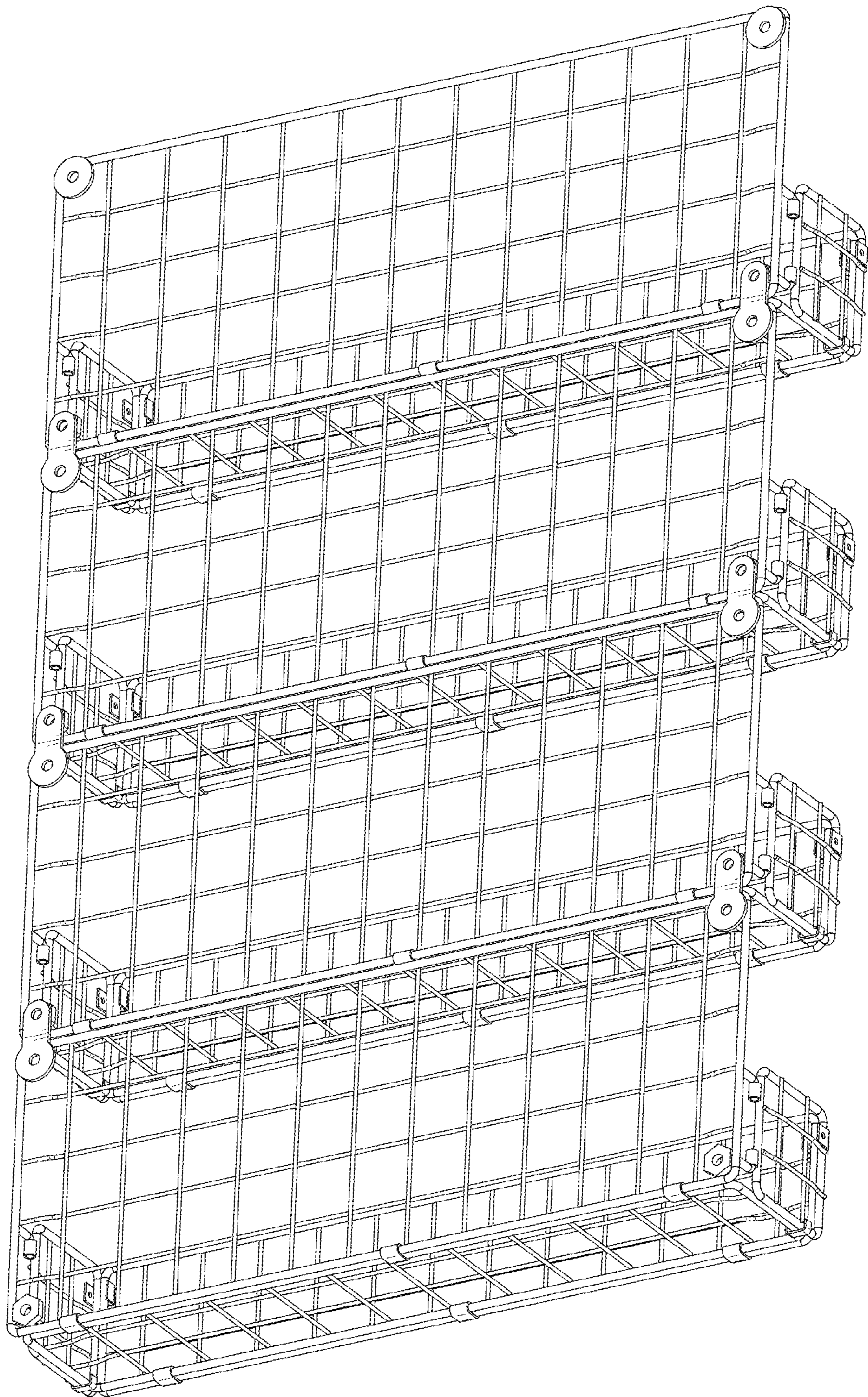


FIG. 2

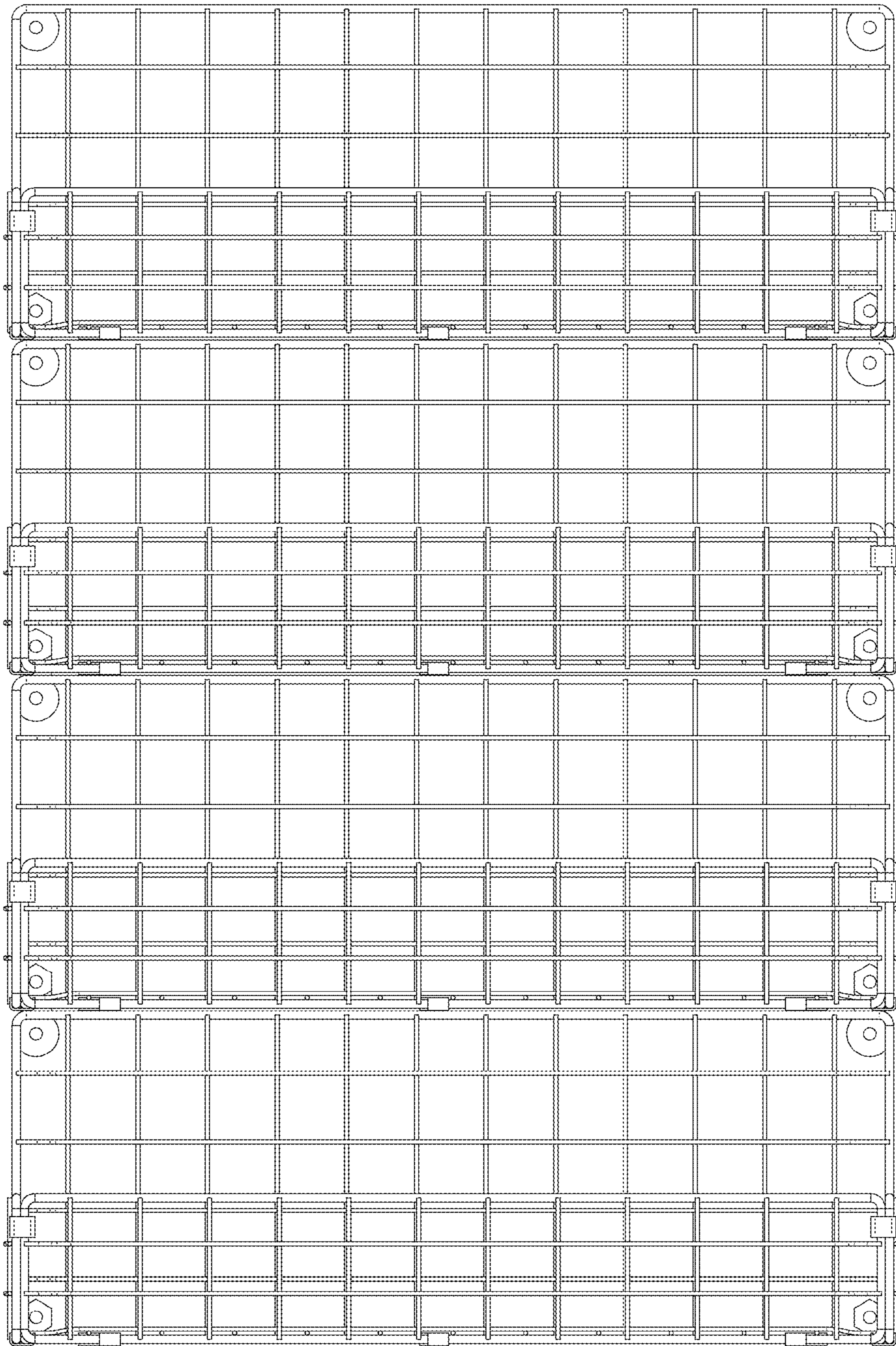


FIG. 3

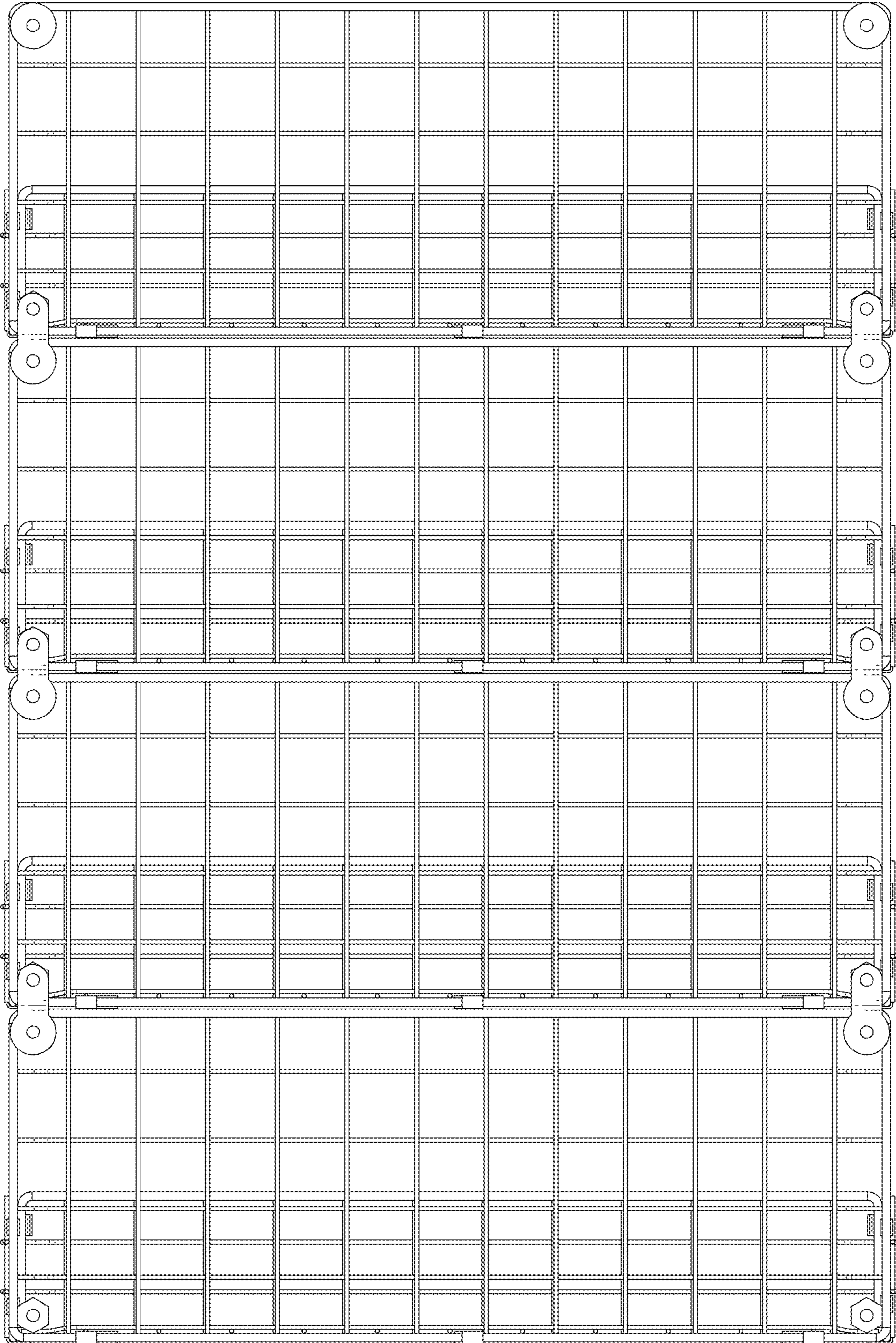


FIG. 4

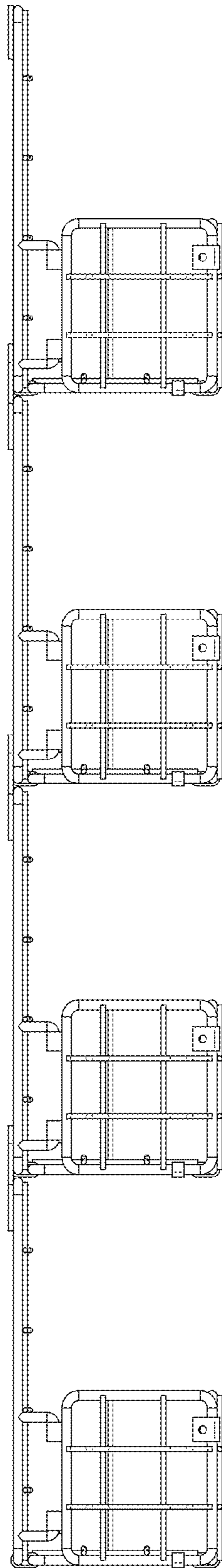


FIG. 5

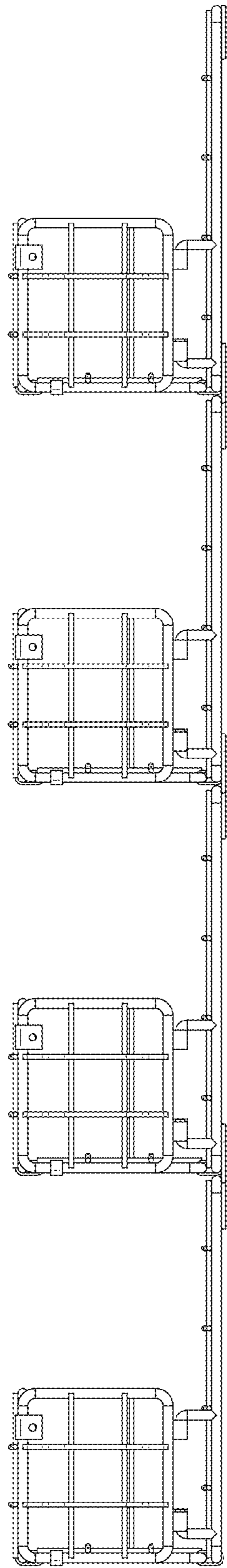


FIG. 6

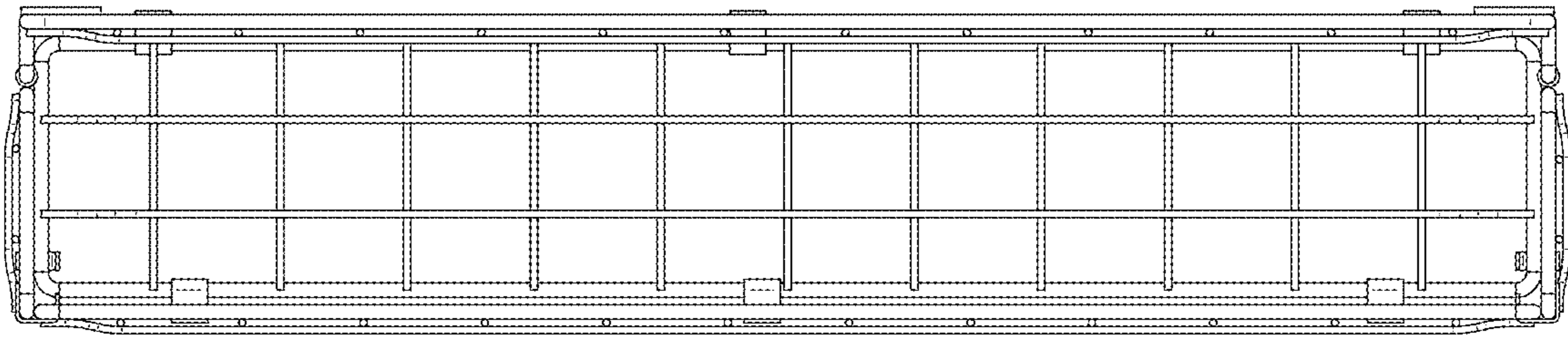


FIG. 7

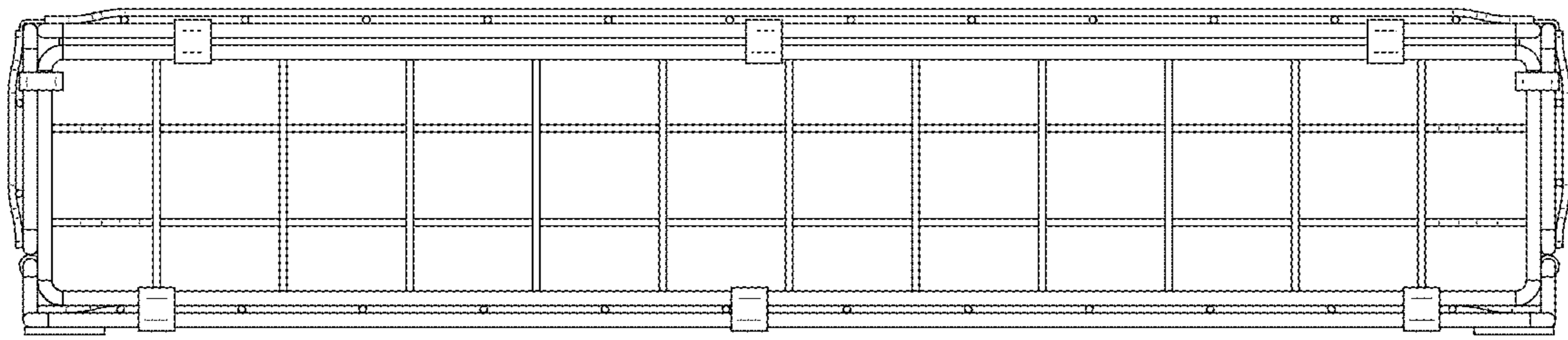


FIG. 8

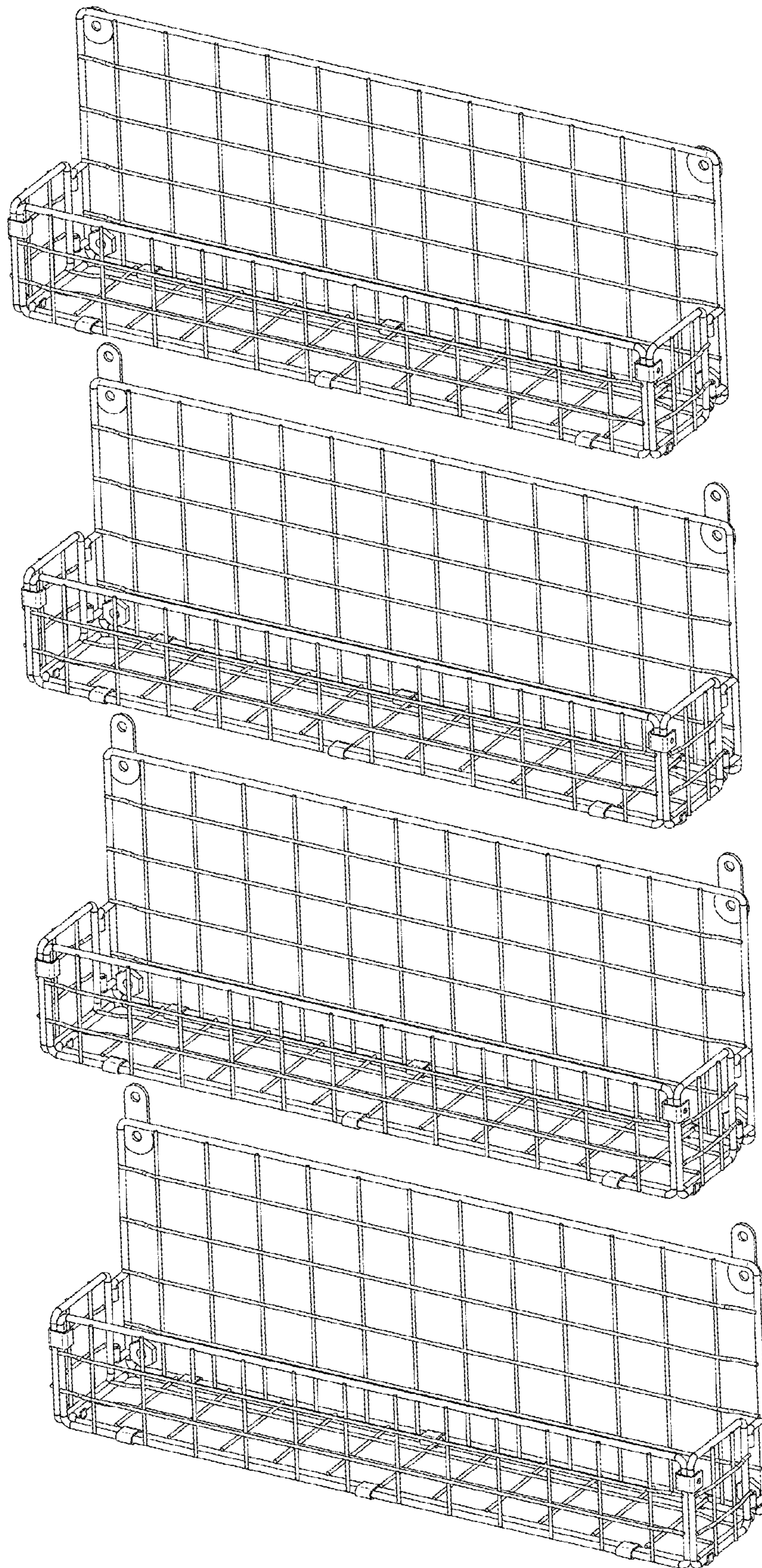


FIG. 9

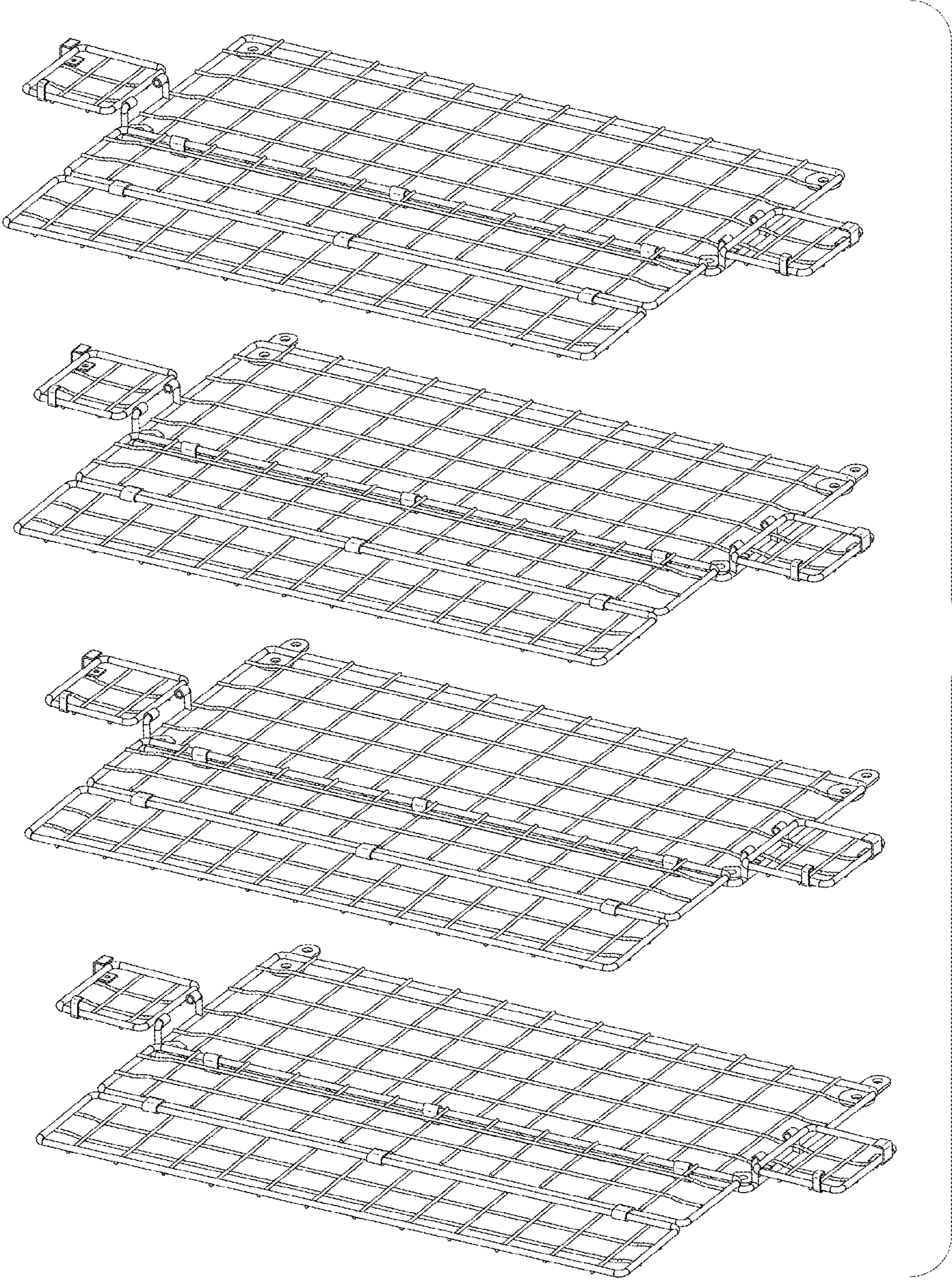


FIG. 10

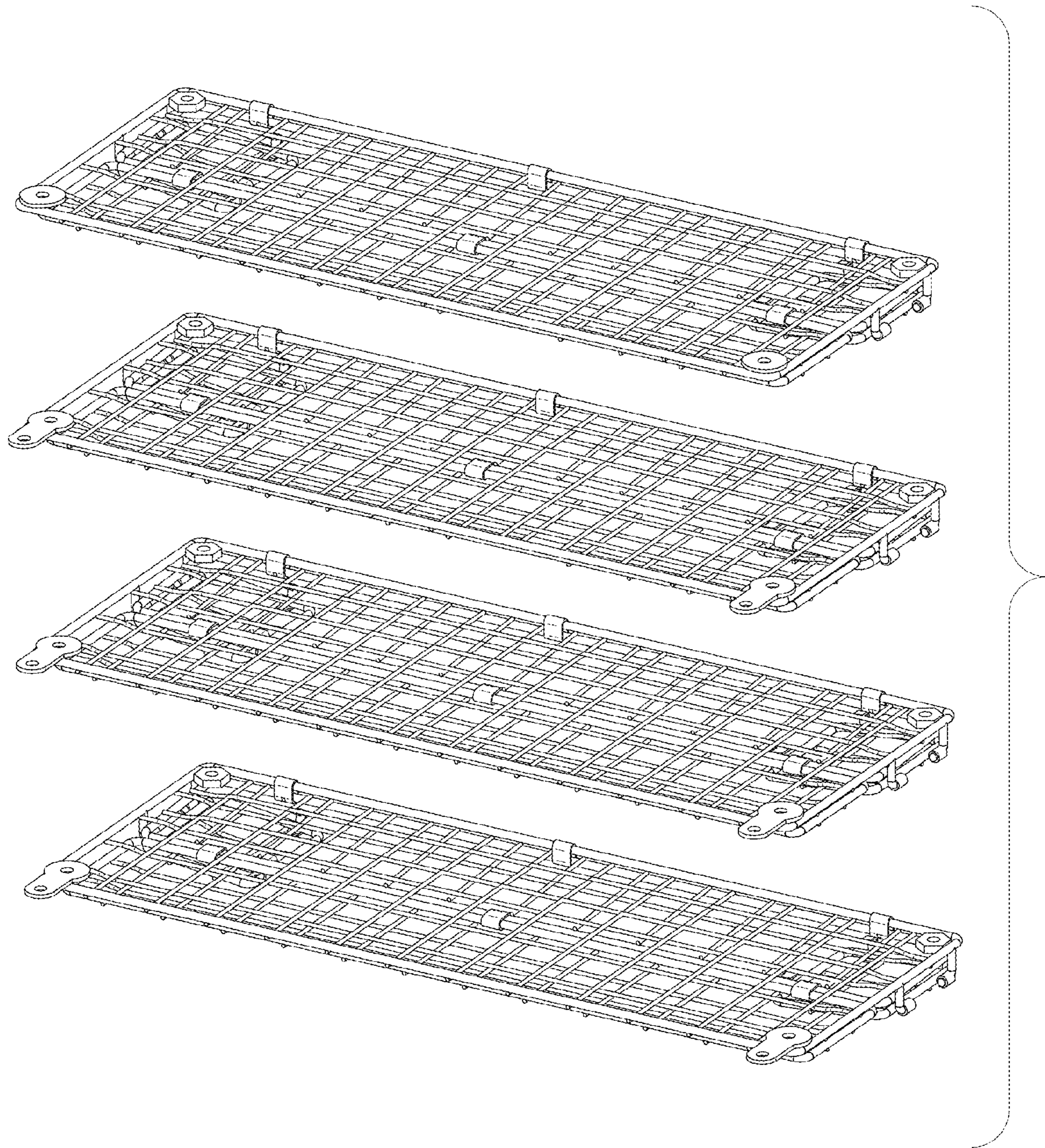


FIG. 11