



US00D909135S

(12) **United States Design Patent** (10) **Patent No.:** **US D909,135 S**  
**Fox** (45) **Date of Patent:** **\*\* Feb. 2, 2021**

(54) **SHAKER BOTTLE**  
(71) Applicant: **COBRA LABS LIMITED**, New Plymouth (NZ)  
(72) Inventor: **Neil Robert Fox**, New Plymouth (NZ)  
(73) Assignee: **COBRA LABS LIMITED**, New Plymouth (NZ)  
(\*\*) Term: **15 Years**  
(21) Appl. No.: **29/696,941**  
(22) Filed: **Jul. 2, 2019**  
(51) **LOC (13) Cl.** ..... **07-01**  
(52) **U.S. Cl.**  
USPC ..... **D7/517**; D7/515; D7/579; D9/626  
(58) **Field of Classification Search**  
USPC ..... D7/507, 510, 509, 300.1, 300, 397, 579, D7/573, 564, 544, 514, 515, 516, 517, D7/519, 520, 901; D3/202, 215; 222/175; 224/148.6, 148.2, 148.3; D9/620, 626  
CPC ..... A45F 3/20; A45F 2005/008; A45F 5/00; A45F 3/16  
See application file for complete search history.

D605,541 S \* 12/2009 Hu ..... D10/114.1  
D689,770 S \* 9/2013 Leon Fernandez ..... D9/441  
D691,415 S \* 10/2013 Mason ..... D7/396.2  
D692,309 S \* 10/2013 Savee ..... D9/626  
D719,406 S \* 12/2014 Mason ..... D7/517  
D720,625 S \* 1/2015 Olson ..... D9/626  
D738,163 S \* 9/2015 Roth ..... B65D 25/20  
D747,926 S \* 1/2016 Mason ..... D7/517  
D774,390 S \* 12/2016 Ouyang ..... D9/441  
D809,866 S \* 2/2018 Ruby ..... D7/517  
D826,640 S \* 8/2018 Hirschhorn ..... D7/507  
D833,225 S \* 11/2018 Zimmermann ..... D7/522  
D835,514 S \* 12/2018 Alvarez ..... D9/626  
D861,491 S \* 10/2019 Pinhasy ..... D9/611  
D883,031 S \* 5/2020 Wolfgram ..... D7/515

\* cited by examiner

*Primary Examiner* — Marianne N Pandozzi  
(74) *Attorney, Agent, or Firm* — Hogan Lovells US LLP

(57) **CLAIM**

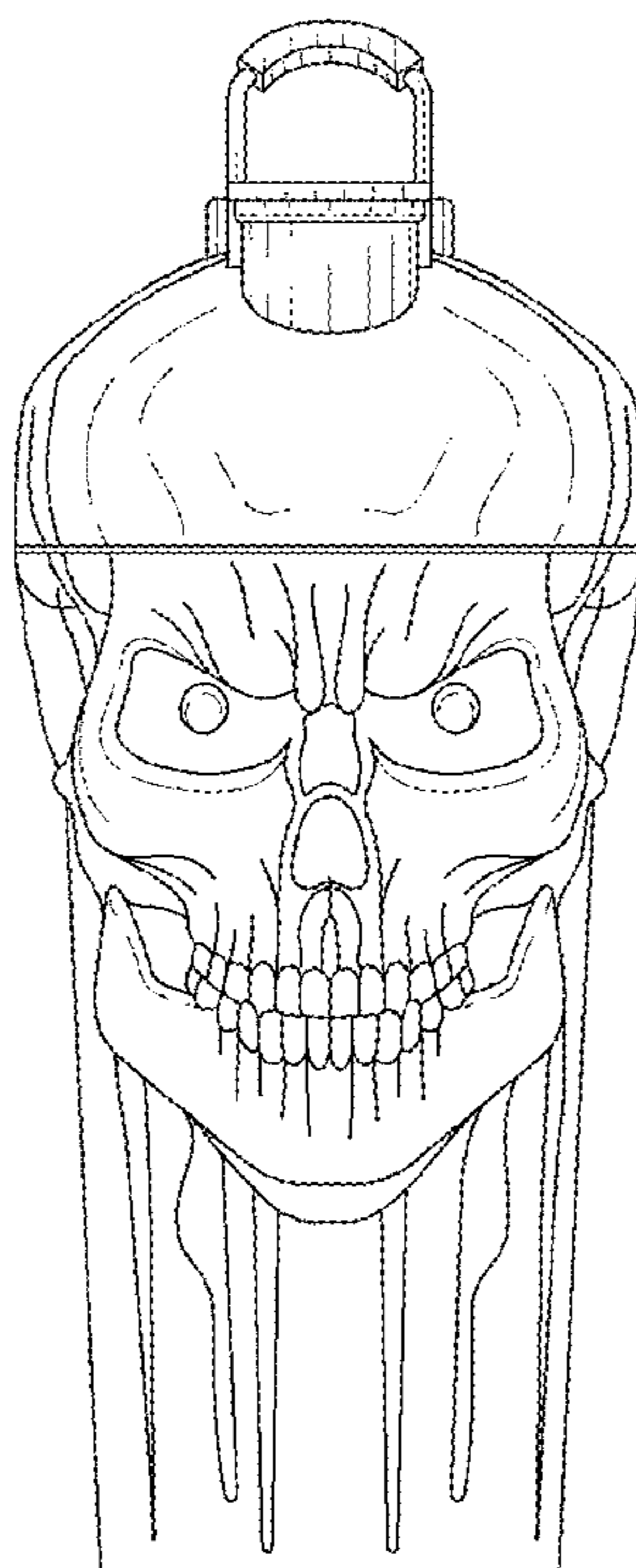
The ornamental design for a shaker bottle, as shown and described.

**DESCRIPTION**

FIG. 1 is a front view of a shaker bottle showing our new design;  
FIG. 2 is a left side view thereof;  
FIG. 3 is a right side view thereof;  
FIG. 4 is a rear view thereof; and,  
FIG. 5 is a top view thereof.  
The broken lines in the drawing depict portions of the shaker bottle that form no part of the claimed design.

**1 Claim, 5 Drawing Sheets**

(56) **References Cited**  
U.S. PATENT DOCUMENTS  
D117,550 S \* 11/1939 Bergeron ..... D7/517  
D431,463 S \* 10/2000 Gallart ..... D9/428  
D459,213 S \* 6/2002 Buboltz ..... D9/626  
D468,969 S \* 1/2003 Lipson ..... D7/510  
D589,360 S \* 3/2009 Alexander ..... D9/626



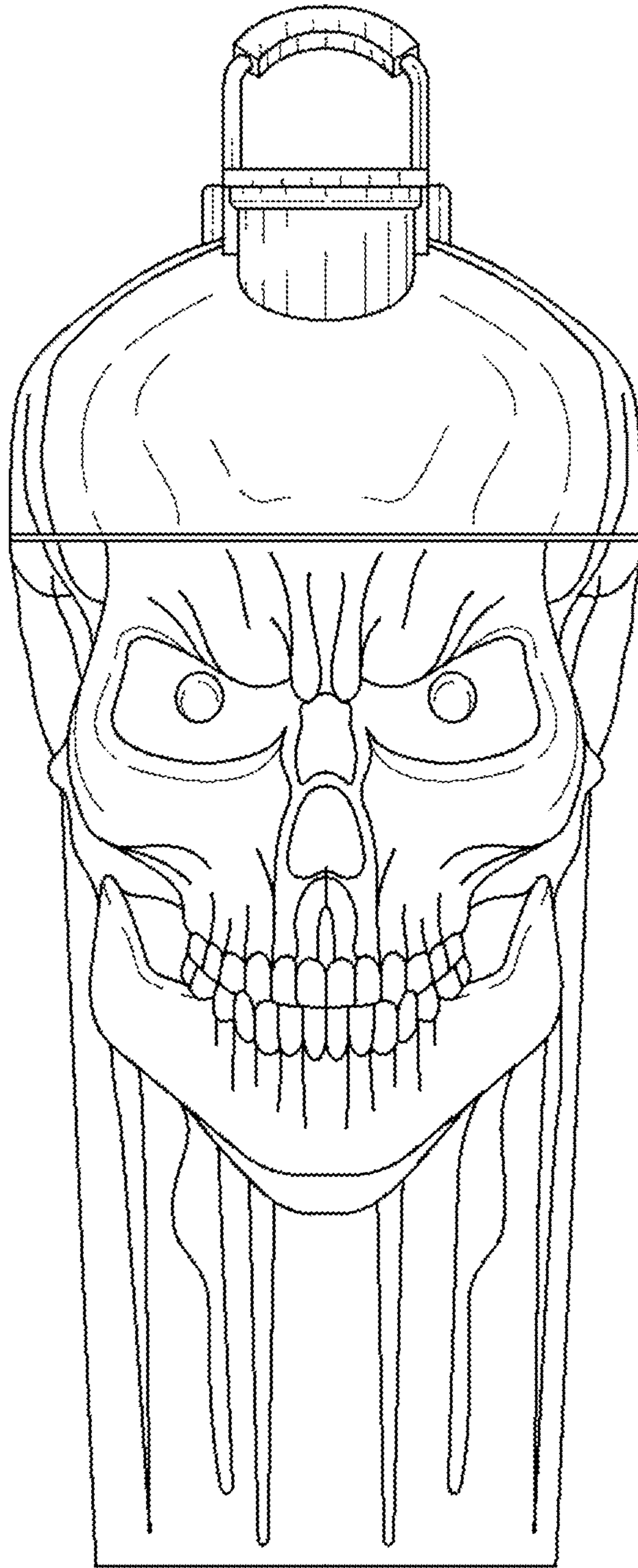


Fig. 1

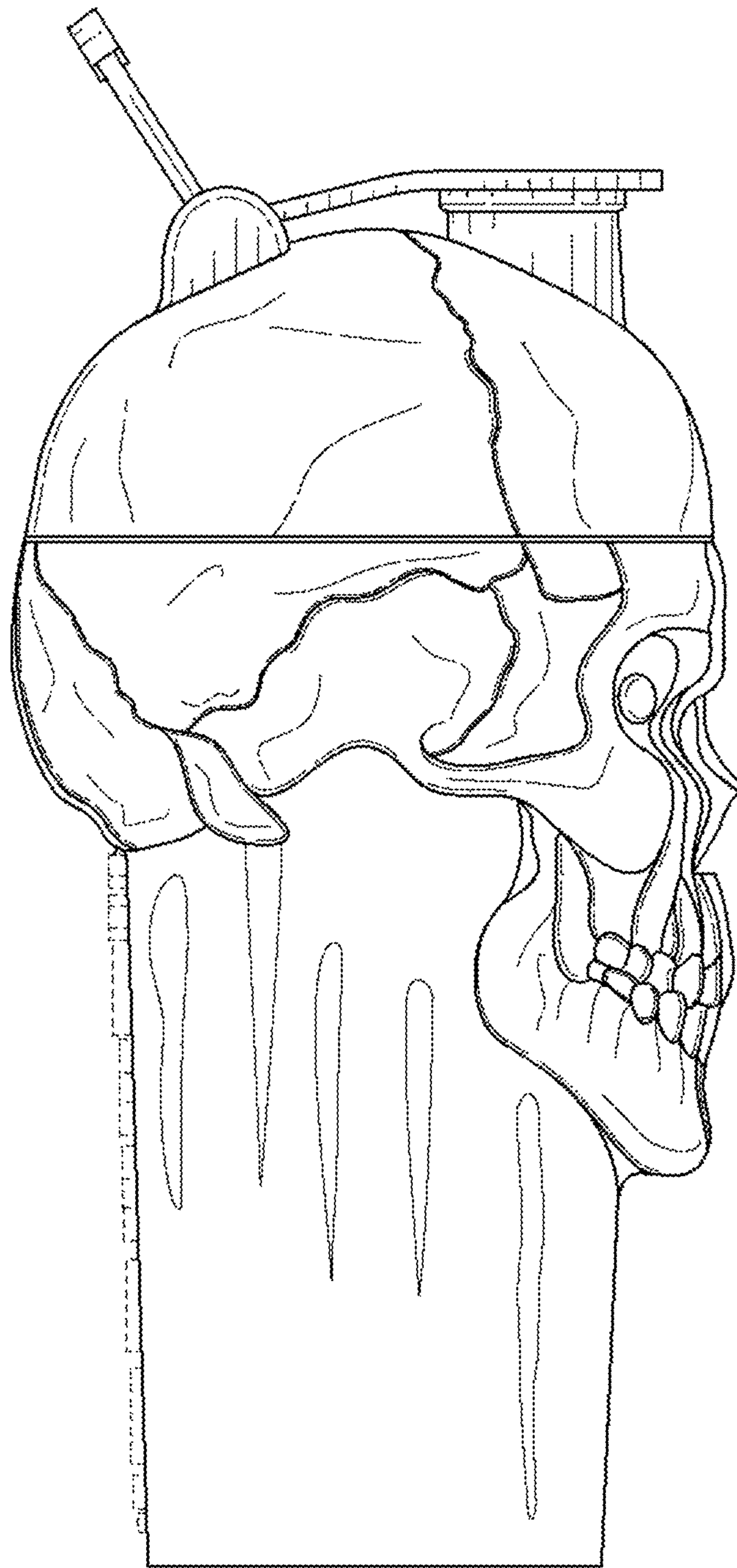


Fig. 2

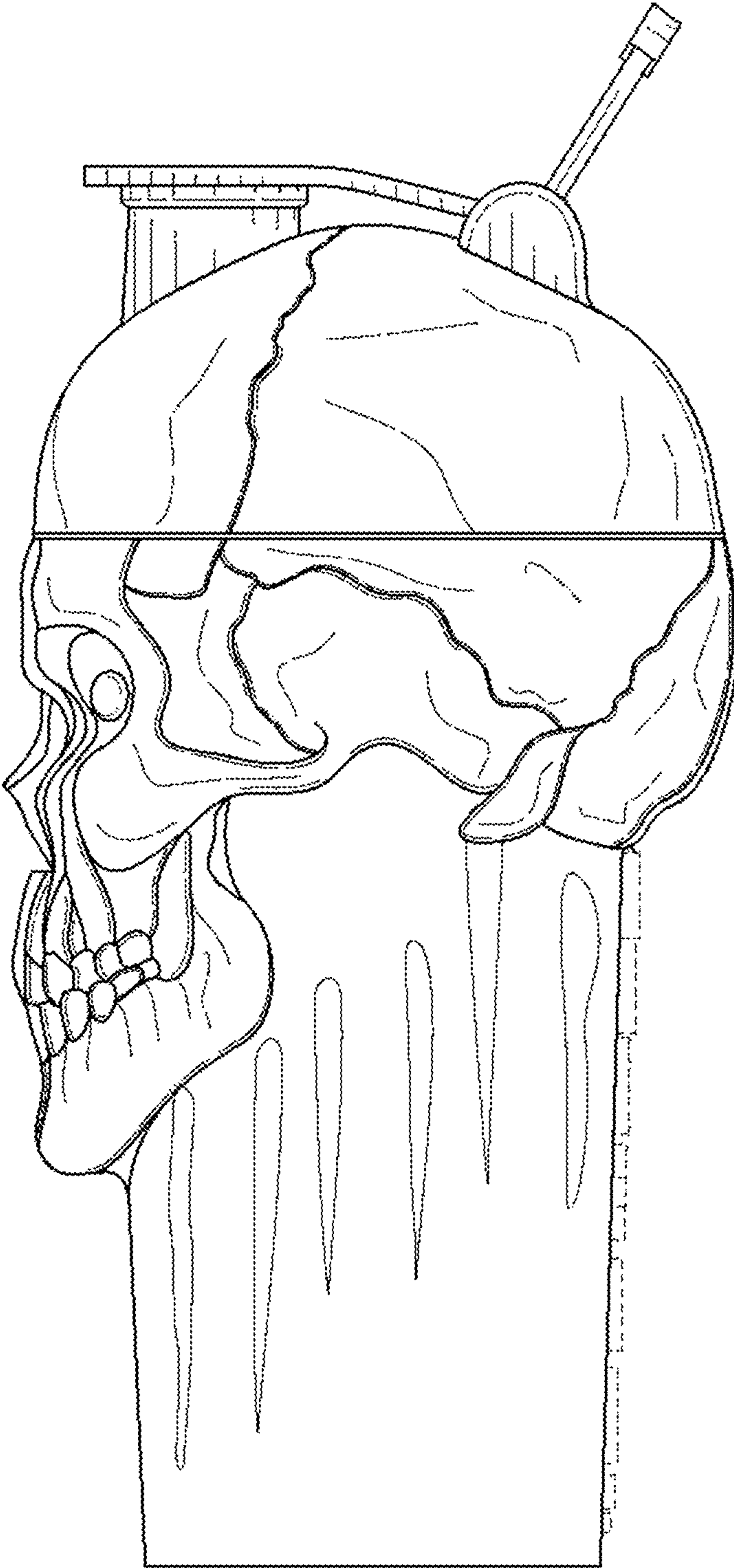


Fig. 3

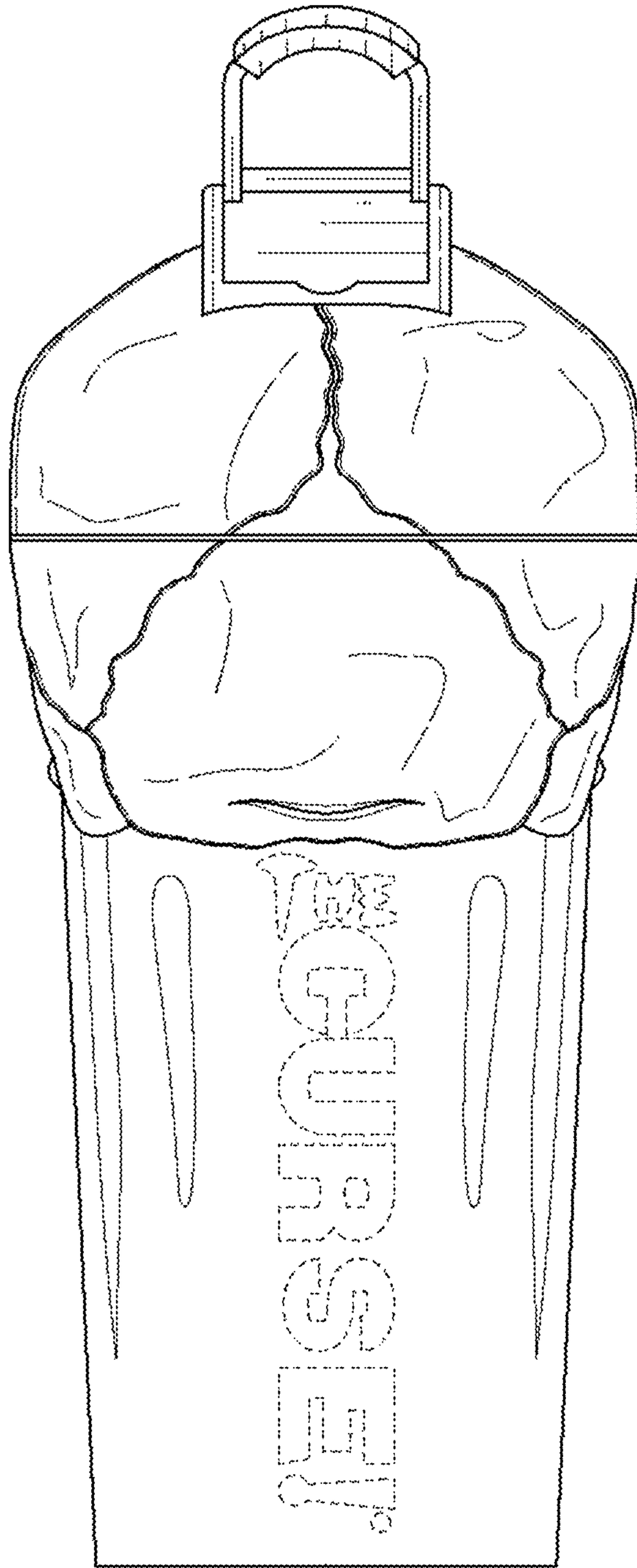


Fig. 4

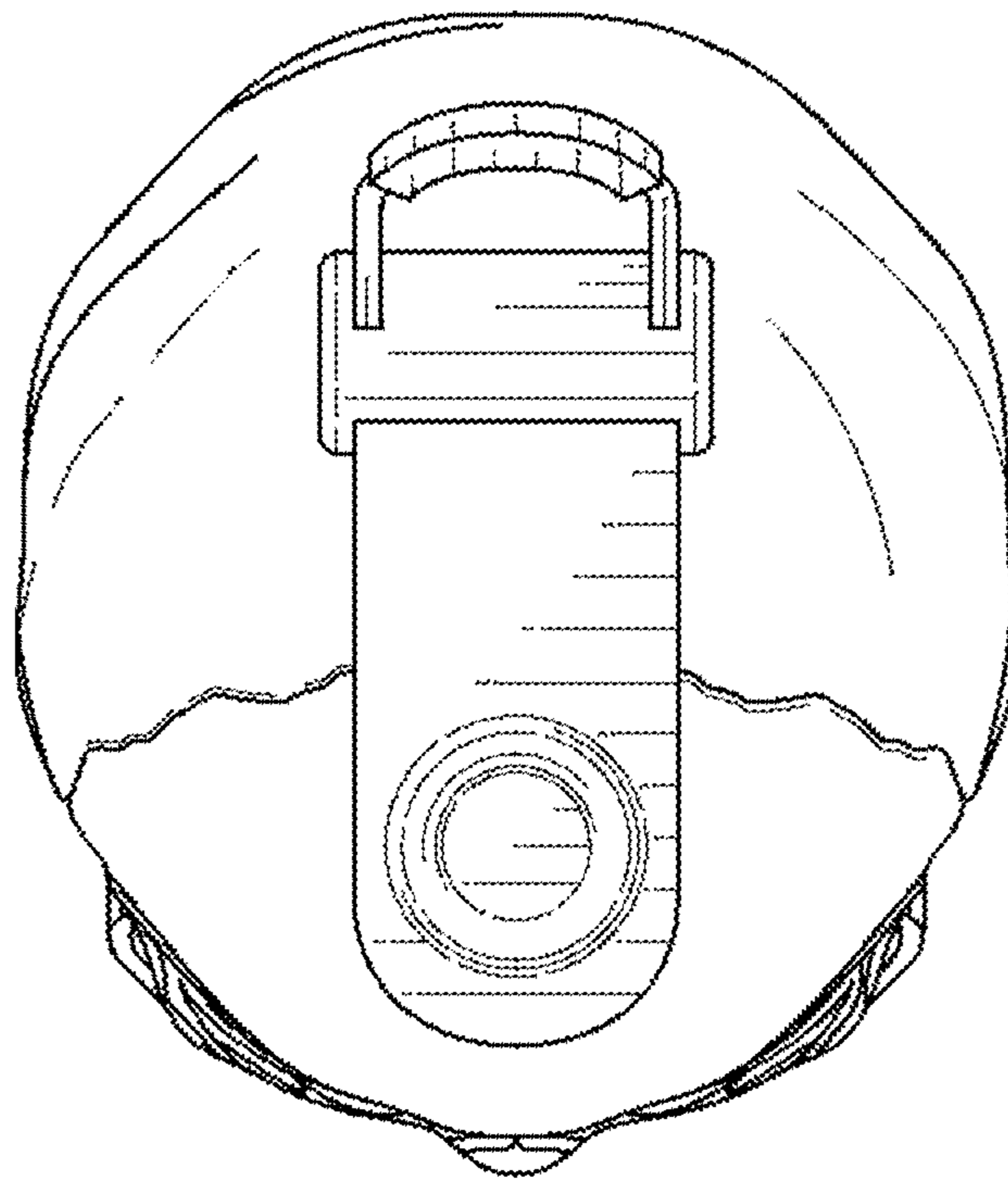


Fig. 5