



US00D909134S

(12) **United States Design Patent** (10) **Patent No.:** **US D909,134 S**  
**McConnell et al.** (45) **Date of Patent:** **\*\* Feb. 2, 2021**

(54) **BLENDER JAR**

B28C 5/10; B28C 5/12; B28C 5/14;  
B28C 5/16; B65D 47/0895

(71) Applicant: **WHIRLPOOL CORPORATION**,  
Benton Harbor, MI (US)

See application file for complete search history.

(72) Inventors: **John W. McConnell**, St. Joseph, MI  
(US); **Brandon T. Mock**, St. Joseph,  
MI (US); **Aaron Evans**, St. Joseph, MI  
(US)

(56) **References Cited**

U.S. PATENT DOCUMENTS

(73) Assignee: **Whirlpool Corporation**, Benton  
Harbor, MI (US)

D176,257 S	12/1955	Hill et al.
D181,541 S	11/1957	Madl et al.
D187,684 S	4/1960	Hauser et al.
D200,494 S	3/1965	Bezark, Jr.
D287,327 S	12/1986	Cavalli
D310,153 S	8/1990	Kaiser
D424,865 S	5/2000	Crescenzi et al.
D444,995 S	7/2001	Thackray
D484,357 S	12/2003	Seum et al.
D488,344 S	4/2004	Seum et al.
D502,047 S	2/2005	Ledingham et al.
D502,842 S	3/2005	Hallar
D526,531 S	8/2006	Drees et al.
D533,395 S	12/2006	Drees et al.

(Continued)

(\*\*) Term: **15 Years**

*Primary Examiner* — Ricky Pham

(21) Appl. No.: **29/709,102**

(74) *Attorney, Agent, or Firm* — Price Heneveld LLP

(22) Filed: **Oct. 11, 2019**

**Related U.S. Application Data**

(60) Continuation of application No. 29/689,432, filed on  
Apr. 30, 2019, now Pat. No. Des. 874,869, which is  
a division of application No. 29/639,761, filed on  
Mar. 8, 2018, now Pat. No. Des. 852,574.

(57) **CLAIM**

We claim the ornamental design for a blender jar, as shown  
and described.

(51) **LOC (13) Cl.** ..... **31-00**

**DESCRIPTION**

(52) **U.S. Cl.**

USPC ..... **D7/413**; D7/376; D7/378; D7/386

(58) **Field of Classification Search**

USPC ... D7/372, 376–386, 392.1, 396.2, 412–413,  
D7/510, 602, 629, 665–666, 669, 679,  
D7/693–694; D9/446

CPC .... A21C 1/02; A21C 1/04; A23N 1/00; A23N  
1/02; A47J 43/04; A47J 43/25; A47J  
43/27; A47J 43/042; A47J 43/044; A47J  
43/046; A47J 43/075; A47J 43/0722;  
A47J 43/0727; B01D 35/143; B01F 3/00;  
B01F 3/0807; B01F 3/0853; B01F  
13/0059; B01F 13/0064; B02C 1/08;  
B02C 2/04; B02C 4/42; B02C 4/142;  
B02C 4/143; B02C 4/423; B02C 13/1835;

FIG. 1 is a front top perspective view of a blender jar of the  
present disclosure;  
FIG. 2 is a rear top perspective view thereof;  
FIG. 3 is a front elevation view thereof;  
FIG. 4 is a rear elevation view thereof;  
FIG. 5 is a first side elevation view thereof;  
FIG. 6 is a second side elevation view thereof;  
FIG. 7 is a top plan view thereof; and,  
FIG. 8 is a bottom plan view thereof.  
The broken lines depict portions of the article that form no  
part of the claimed design.

**1 Claim, 8 Drawing Sheets**



(56)

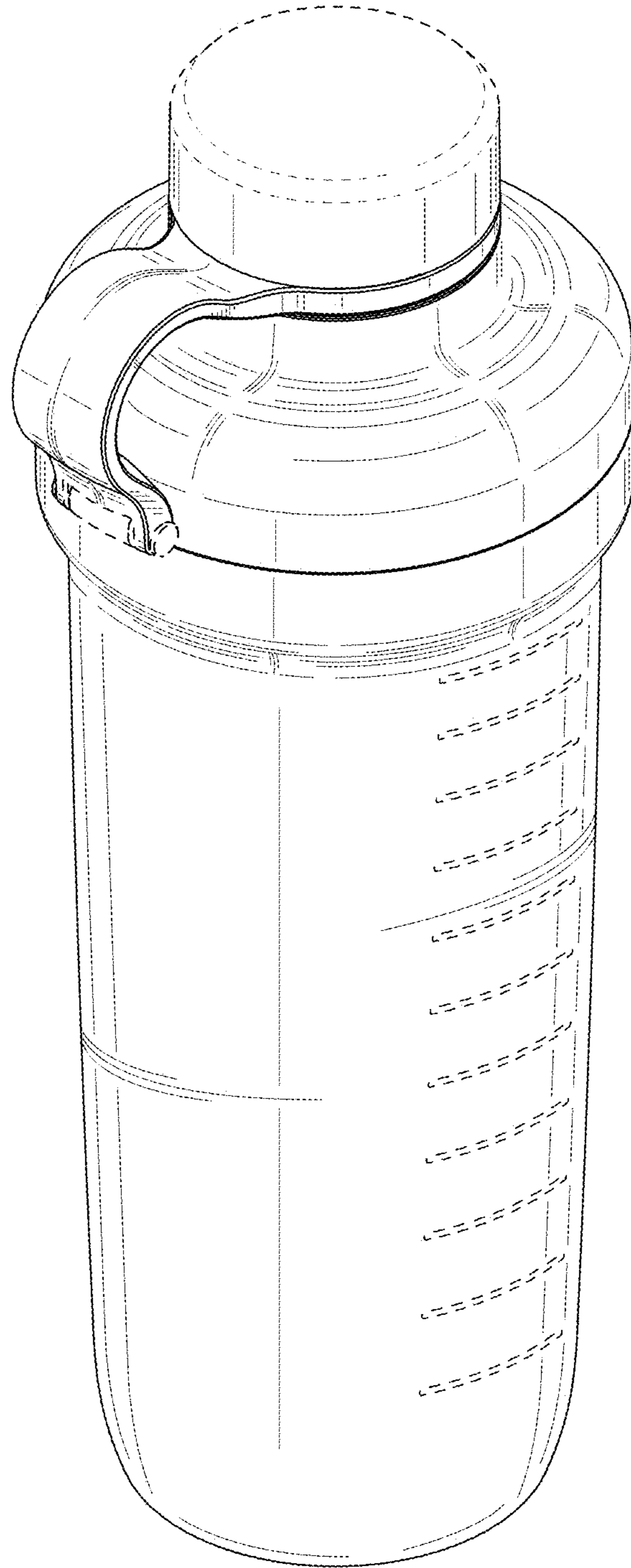
References Cited

U.S. PATENT DOCUMENTS

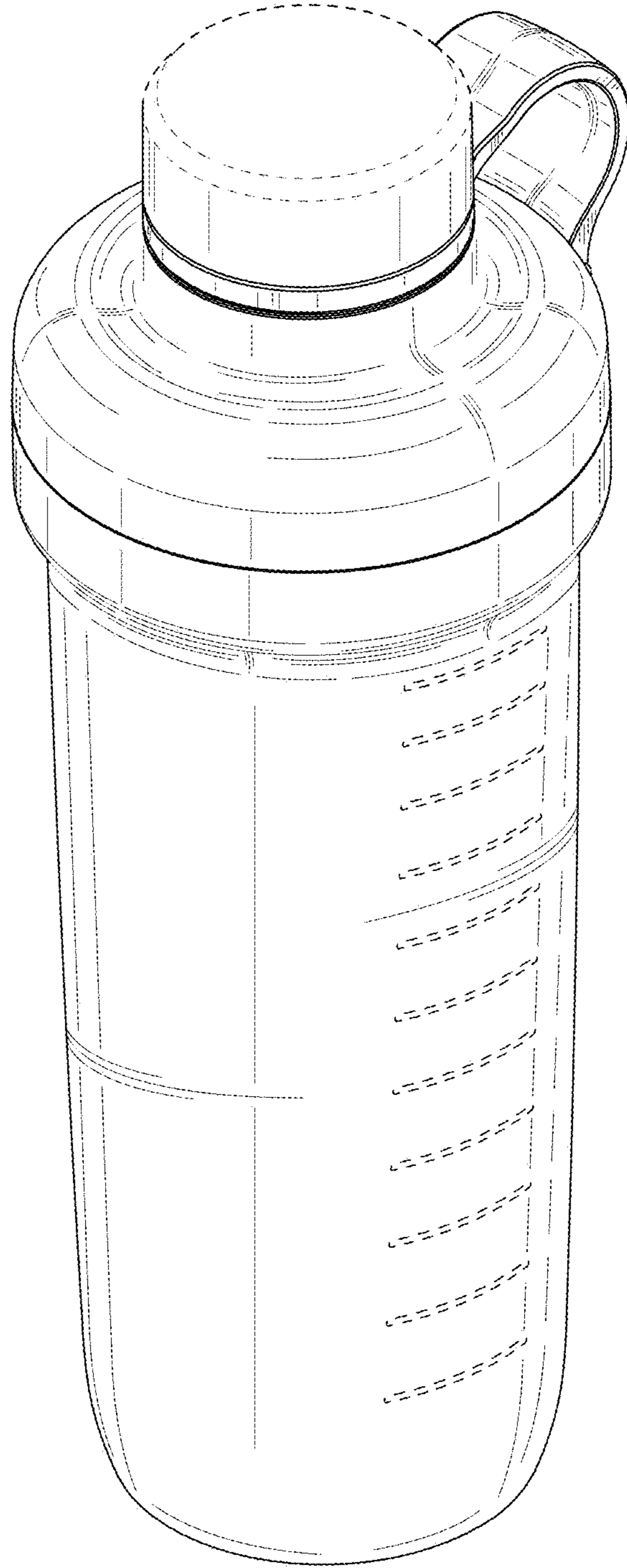
D547,601 S 7/2007 Ting et al.  
 D552,412 S 10/2007 Steiner  
 D577,257 S 9/2008 Kuan  
 D577,537 S 9/2008 Lee  
 D578,341 S 10/2008 Picozza et al.  
 D587,064 S 2/2009 Mark  
 D594,697 S 6/2009 Lavy  
 D605,462 S 12/2009 Picozza et al.  
 D616,244 S 5/2010 Thai et al.  
 D617,136 S 6/2010 Bock et al.  
 D631,282 S 1/2011 Ferraby  
 D637,870 S 5/2011 Bock  
 D642,858 S 8/2011 Lazzar  
 D644,480 S 9/2011 Czach et al.  
 D644,489 S \* 9/2011 Trombly ..... D7/510  
 D667,683 S 9/2012 Czach et al.  
 D670,531 S 11/2012 Carlson  
 D683,180 S 5/2013 Carlson  
 D688,912 S \* 9/2013 Rosbach ..... D7/392.1  
 D694,572 S 12/2013 Kobos et al.  
 D694,573 S 12/2013 Norland et al.  
 D694,574 S 12/2013 Norland et al.  
 D694,582 S 12/2013 Norland  
 D694,583 S 12/2013 Norland  
 D702,993 S 4/2014 Lownds  
 D711,682 S 8/2014 Norland et al.  
 D731,234 S 6/2015 Weaden et al.

D731,236 S 6/2015 Yin  
 D739,679 S 9/2015 Benoit et al.  
 D747,135 S 1/2016 Ha  
 D755,004 S 5/2016 Bock et al.  
 D761,617 S 7/2016 Dennisur et al.  
 D769,061 S 10/2016 Diderotto  
 D770,226 S 11/2016 McConnell et al.  
 D772,008 S 11/2016 McConnell et al.  
 D772,009 S 11/2016 McConnell et al.  
 D781,098 S 3/2017 Bond et al.  
 D782,866 S \* 4/2017 Suess ..... D7/378  
 D784,071 S 4/2017 Davies  
 D786,613 S 5/2017 McConnell et al.  
 D794,381 S 8/2017 McConnell et al.  
 D798,653 S 10/2017 Fan  
 D806,467 S \* 1/2018 Yao ..... D7/392.1  
 D811,806 S 3/2018 Bock  
 D815,887 S 4/2018 Huang et al.  
 D816,395 S \* 5/2018 Huang ..... D7/378  
 D825,332 S \* 8/2018 Miksovsky ..... D9/446  
 D828,080 S 9/2018 Ou et al.  
 D829,042 S \* 9/2018 Duan ..... D7/378  
 D829,496 S 10/2018 Kim  
 D833,209 S \* 11/2018 Duan ..... D7/378  
 D856,072 S \* 8/2019 Barber ..... D7/396.2  
 2011/0220674 A1 \* 9/2011 Honeyghan ..... B65D 47/0895  
 220/849  
 2011/0278216 A1 \* 11/2011 Hull ..... B01D 35/143  
 210/236

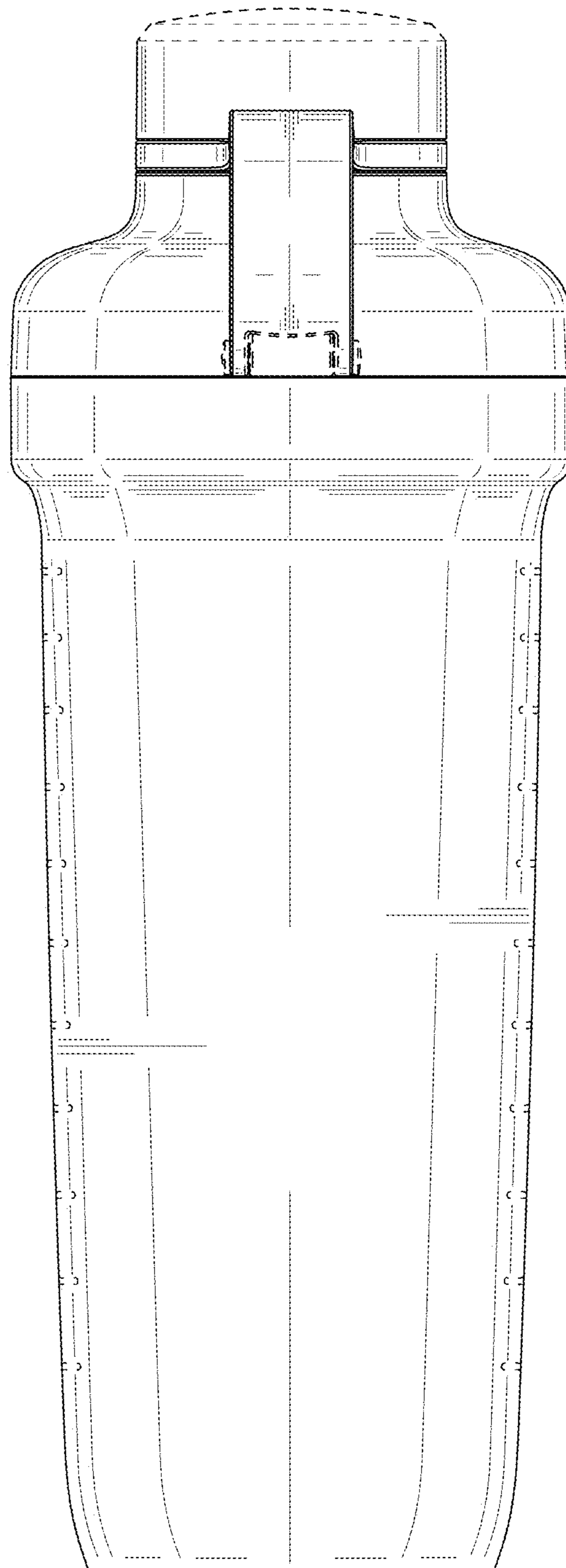
\* cited by examiner



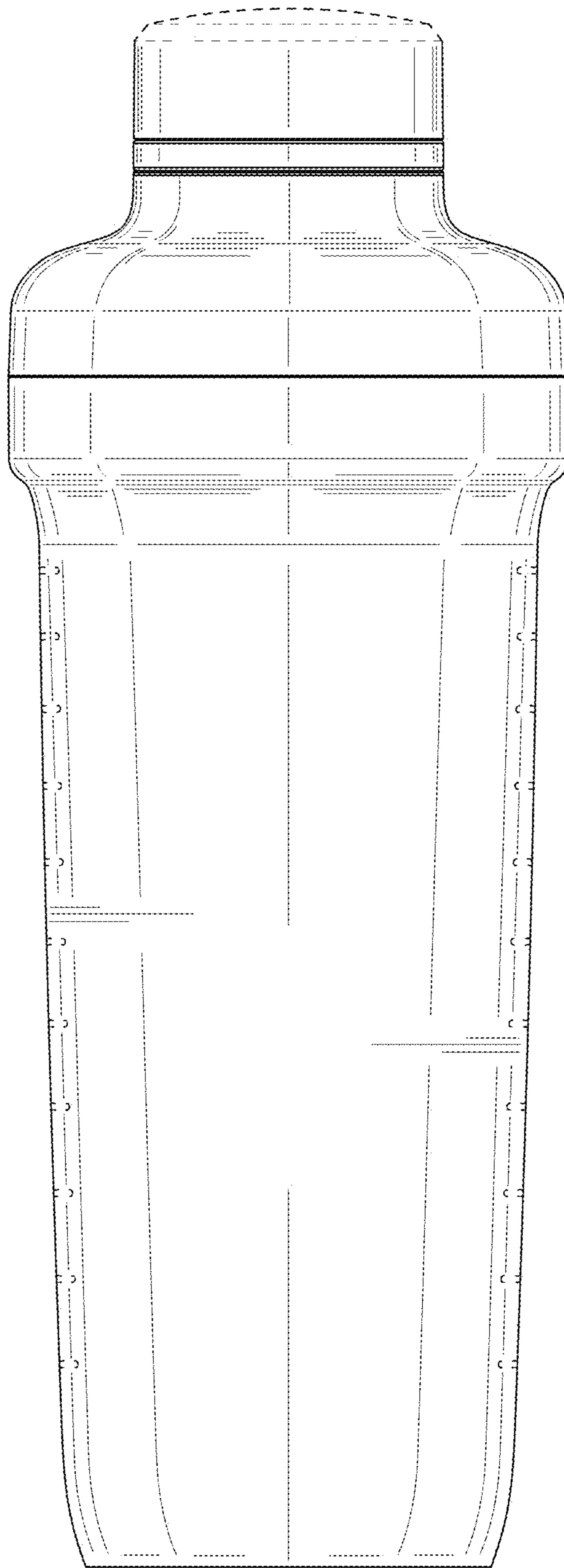
**FIG. 1**



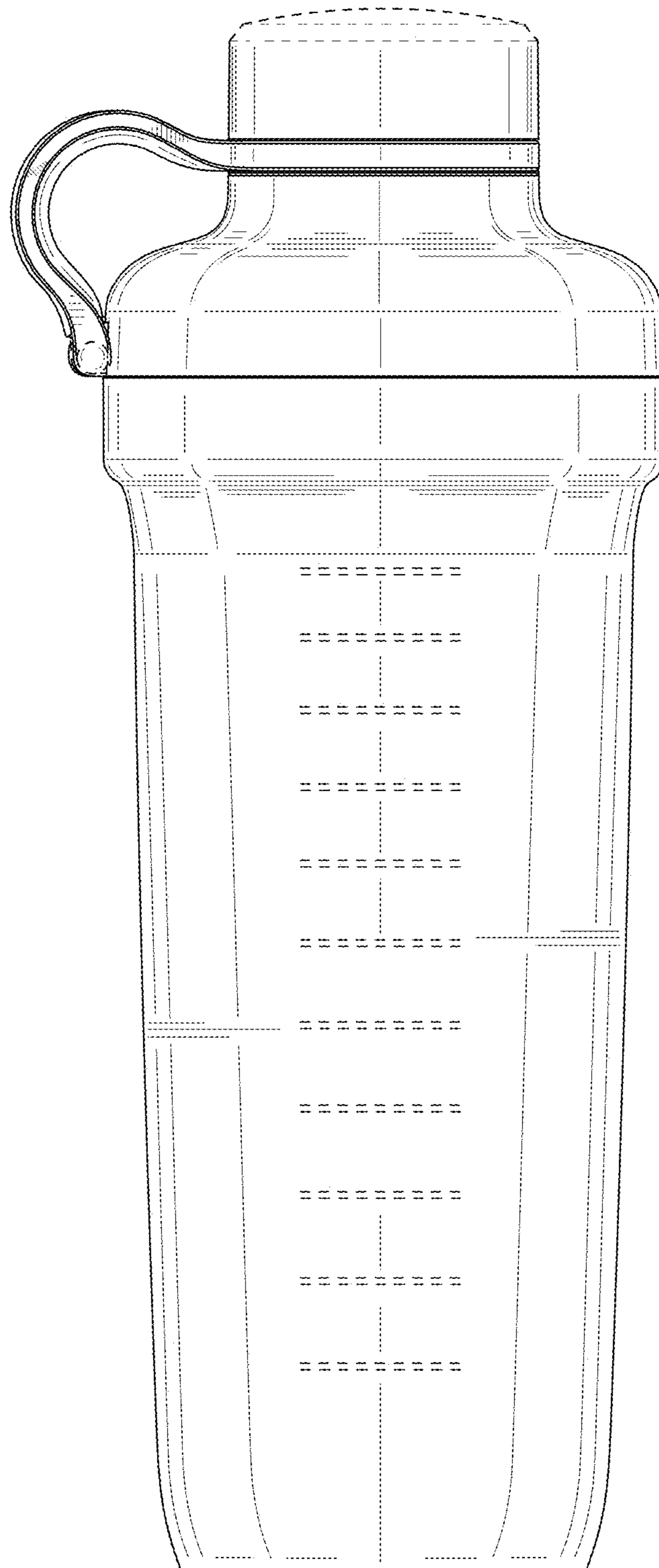
**FIG. 2**



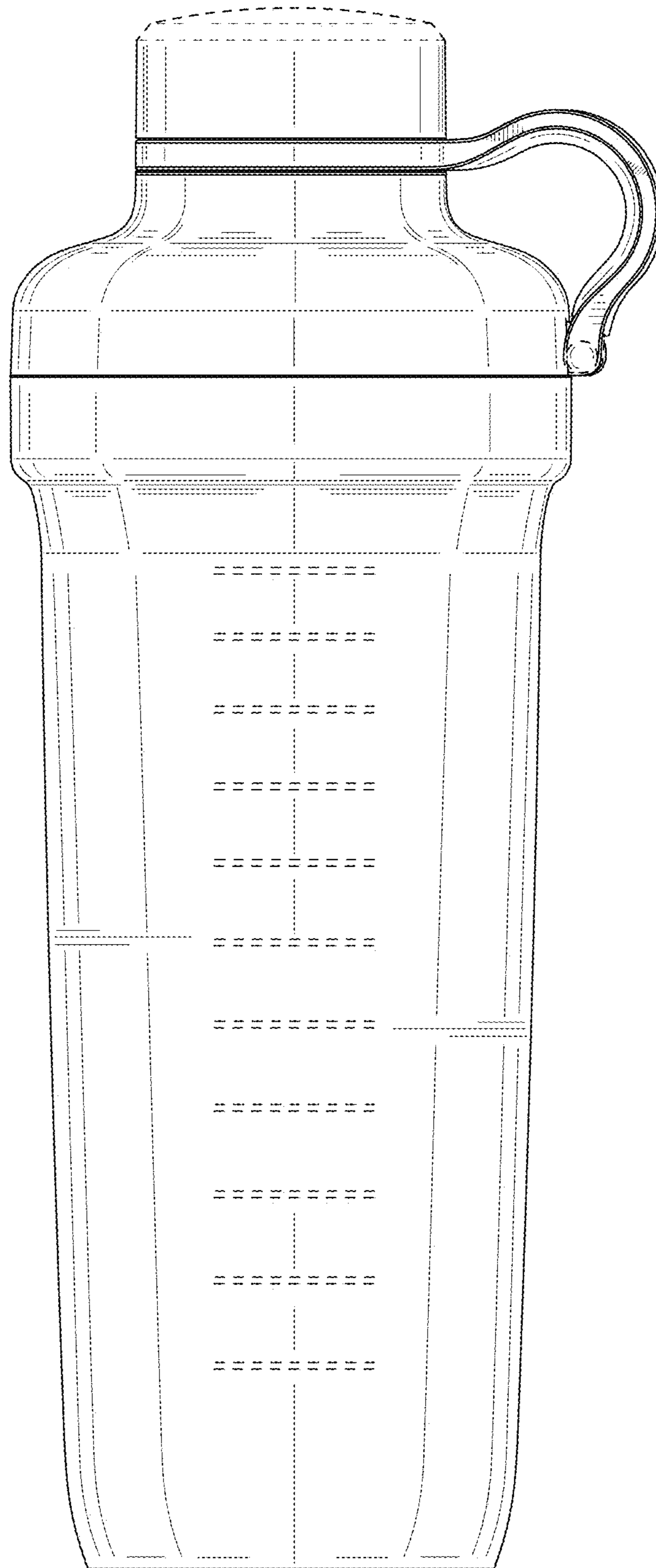
**FIG. 3**



**FIG. 4**

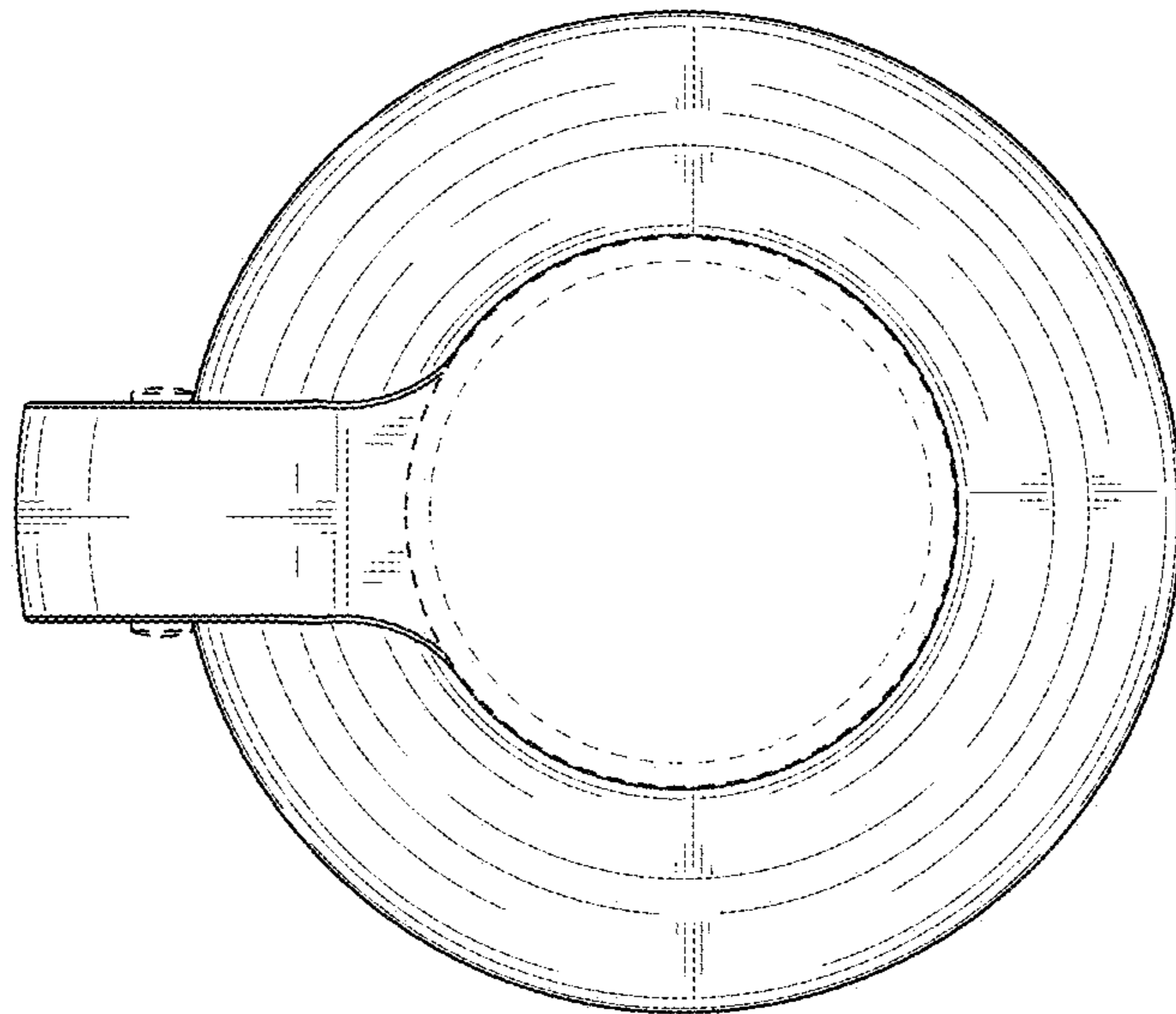


**FIG. 5**

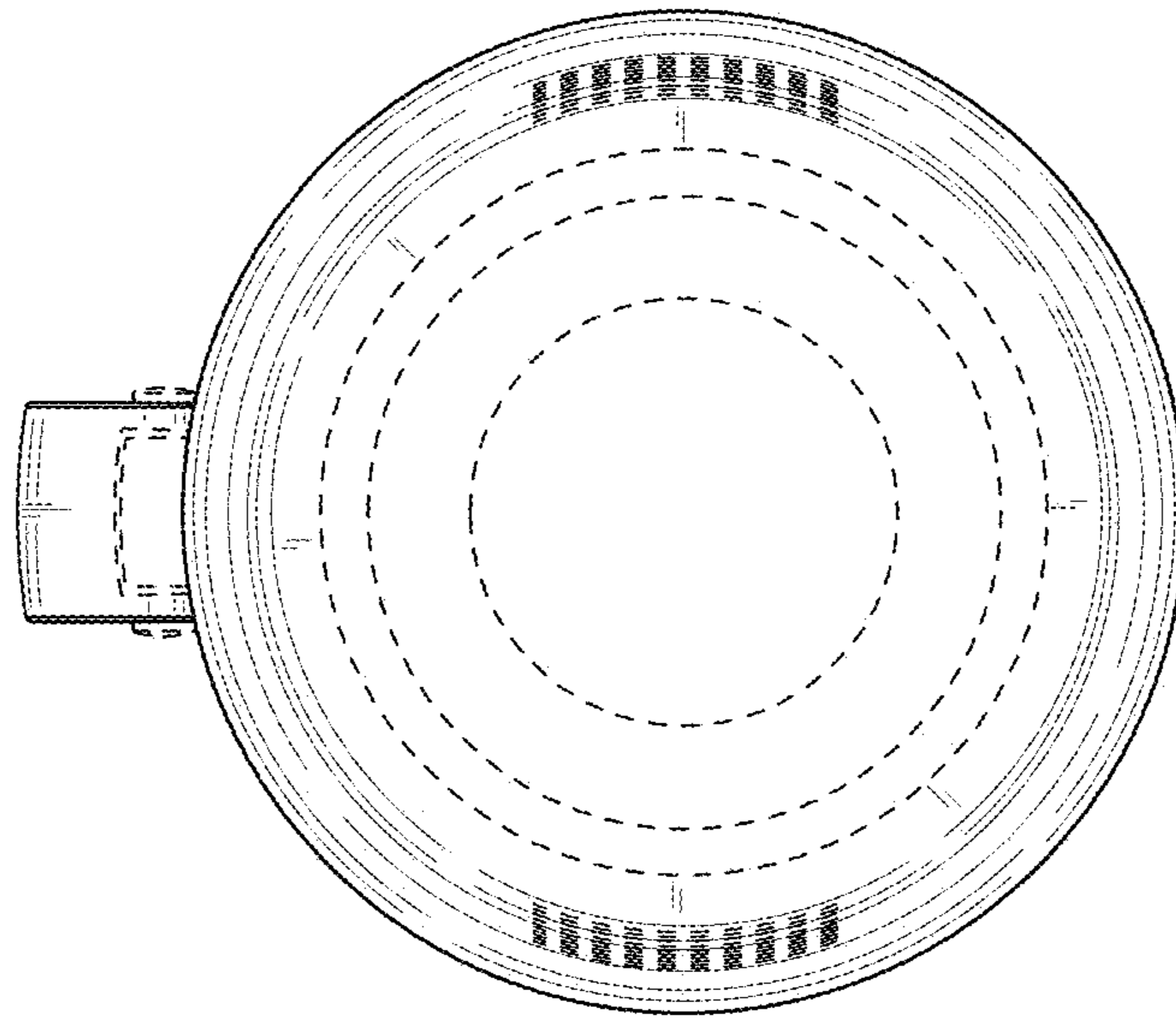


**FIG. 6**





**FIG. 7**



**FIG. 8**