



US00D909131S

(12) **United States Design Patent**
Chung

(10) **Patent No.:** **US D909,131 S**

(45) **Date of Patent:** **** Feb. 2, 2021**

(54) **COMBINED FOLDABLE LEG SUPPORT AND SUPPORT BOARD FOR GRILL**

(71) Applicant: **Kiosky Chung**, Taichung (TW)

(72) Inventor: **Kiosky Chung**, Taichung (TW)

(**) Term: **15 Years**

(21) Appl. No.: **29/702,436**

(22) Filed: **Aug. 19, 2019**

Related U.S. Application Data

(63) Continuation of application No. 29/628,232, filed on Dec. 3, 2017, now Pat. No. Des. 857,439.

(51) **LOC (13) Cl.** **07-02**

(52) **U.S. Cl.**
USPC **D7/403; D34/27**

(58) **Field of Classification Search**
USPC D7/332-337, 402-409, 340, 346, 363;
D34/21, 12, 17, 27
CPC A47J 37/07-0763; A47J 37/0781; A47J 37/0786; A47J 37/079; A47J 2037/0777; A47J 2037/0795; F24C 1/16; F24C 3/14; F24B 1/2015
See application file for complete search history.

(56) **References Cited**

U.S. PATENT DOCUMENTS

D285,522 S *	9/1986	Basini	D7/334
D395,378 S *	6/1998	Schlosser	D7/334
D449,491 S *	10/2001	Measom	D7/334
D465,383 S *	11/2002	Mosher	D7/402
6,595,198 B2 *	7/2003	Mosher	F24C 3/14 126/304 A
D608,969 S *	1/2010	Wise	D34/12
D656,773 S *	4/2012	May	D7/334

D657,183 S *	4/2012	May	D7/334
D694,056 S *	11/2013	Dahle	D7/334
D809,730 S *	2/2018	Churchvara	D34/21
D857,439 S *	8/2019	Chung	D7/334
2007/0089724 A1 *	4/2007	Home	A47J 37/0704 126/9 R
2019/0274476 A1 *	9/2019	Dahle	A47J 37/0763
2019/0298108 A1 *	10/2019	Dahle	A47J 37/0786
2019/0343331 A1 *	11/2019	Dahle	A47J 37/0713
2019/0365151 A1 *	12/2019	Dahle	A47J 37/0704

* cited by examiner

Primary Examiner — Brett Miller

(74) *Attorney, Agent, or Firm* — Bruce Stone LLP;
Joseph A. Bruce

(57) **CLAIM**

The ornamental design for a combined foldable leg support and support board for grill, as shown and described.

DESCRIPTION

FIG. 1 is a perspective view of a combined foldable leg support and support board for grill of my new ornamental design;

FIG. 2 is a front view thereof;

FIG. 3 is a rear view thereof;

FIG. 4 is a right side view thereof;

FIG. 5 is a left side view o thereof;

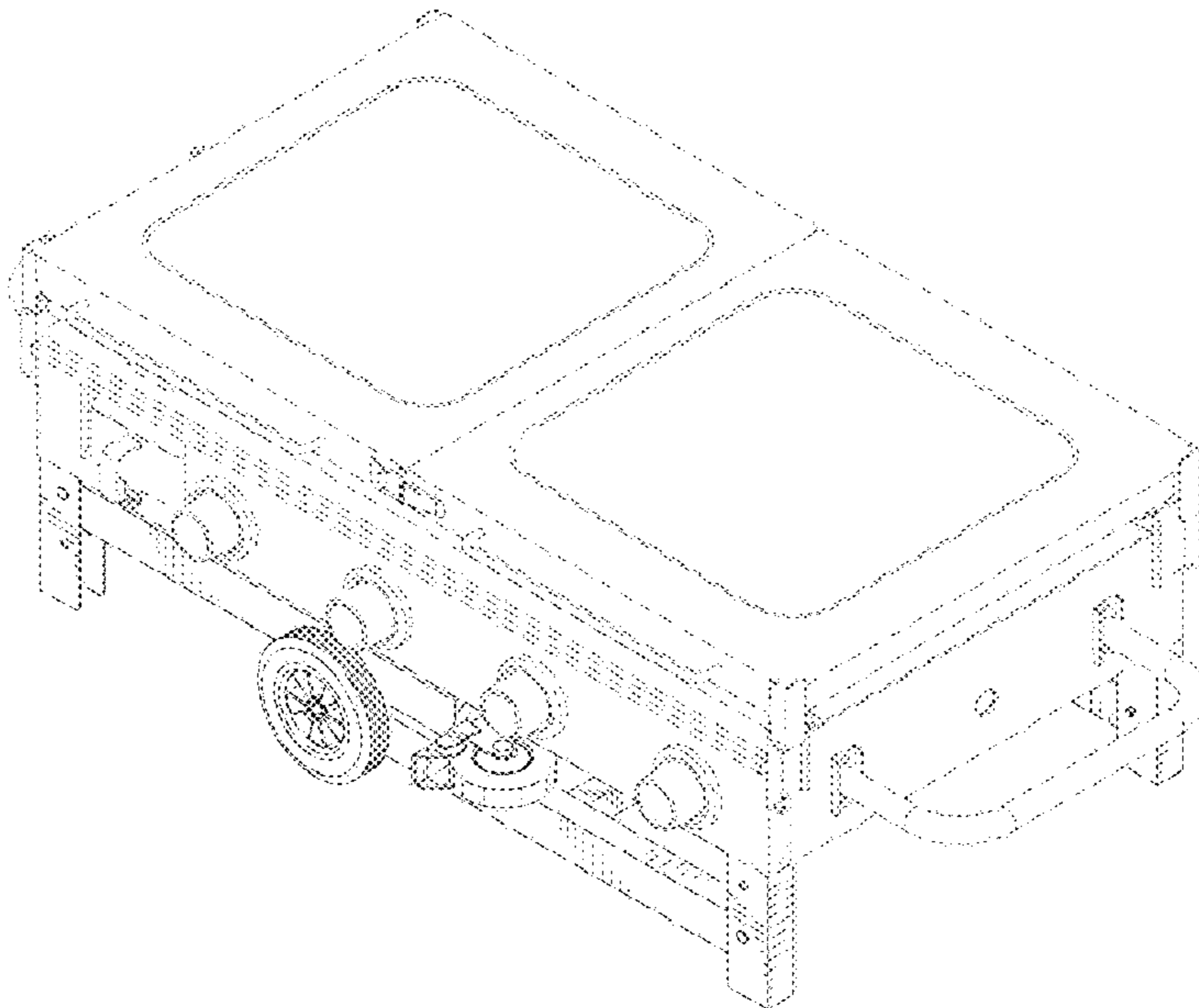
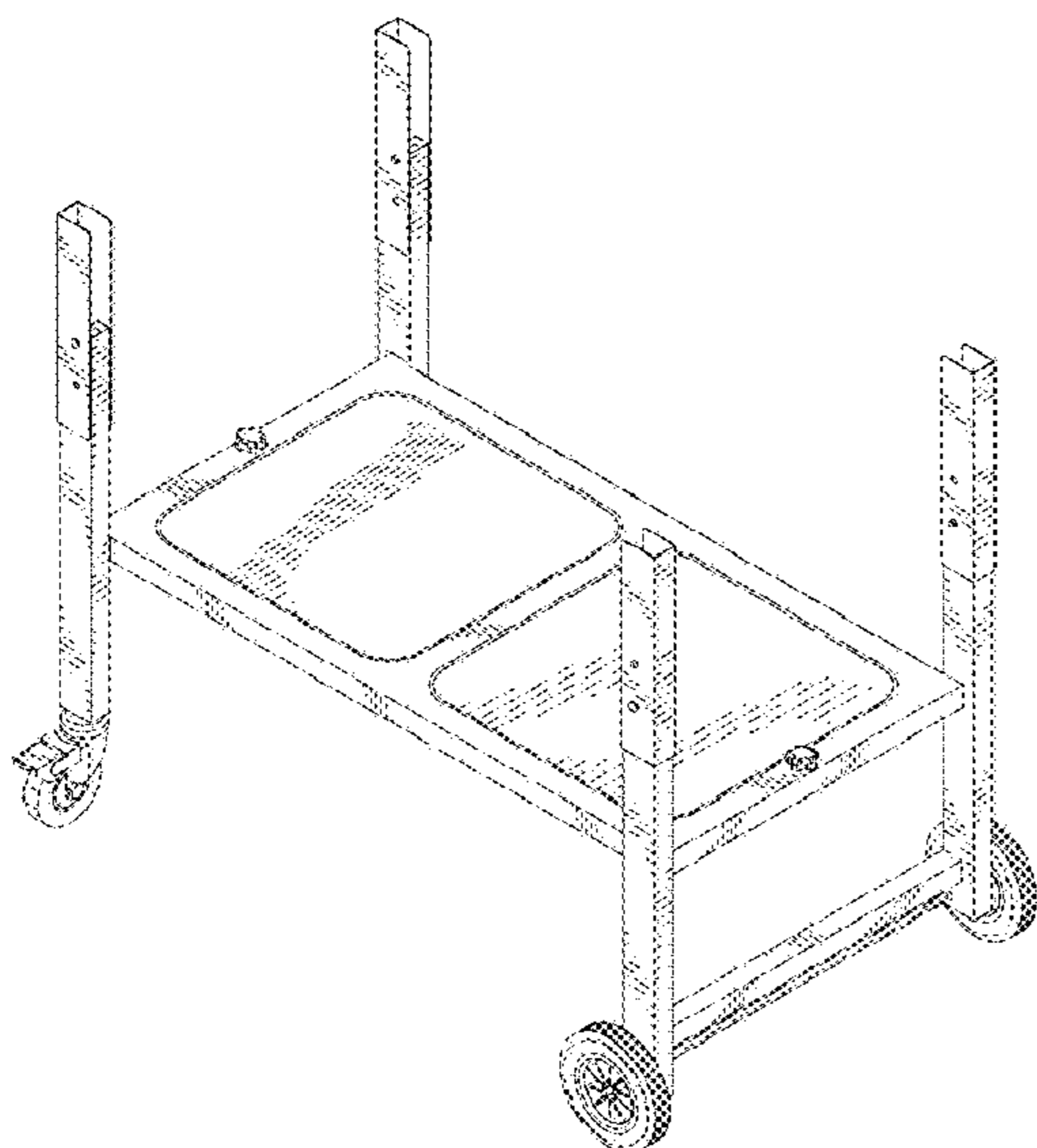
FIG. 6 is a top view thereof;

FIG. 7 is a bottom view thereof; and,

FIG. 8 is a perspective view thereof in a sample environmental setting.

The broken line elements in FIG. 7 form no part of the claimed design and act as a boundaries of the claimed design. All other broken lines depict environment and form no part of the claimed design.

1 Claim, 8 Drawing Sheets



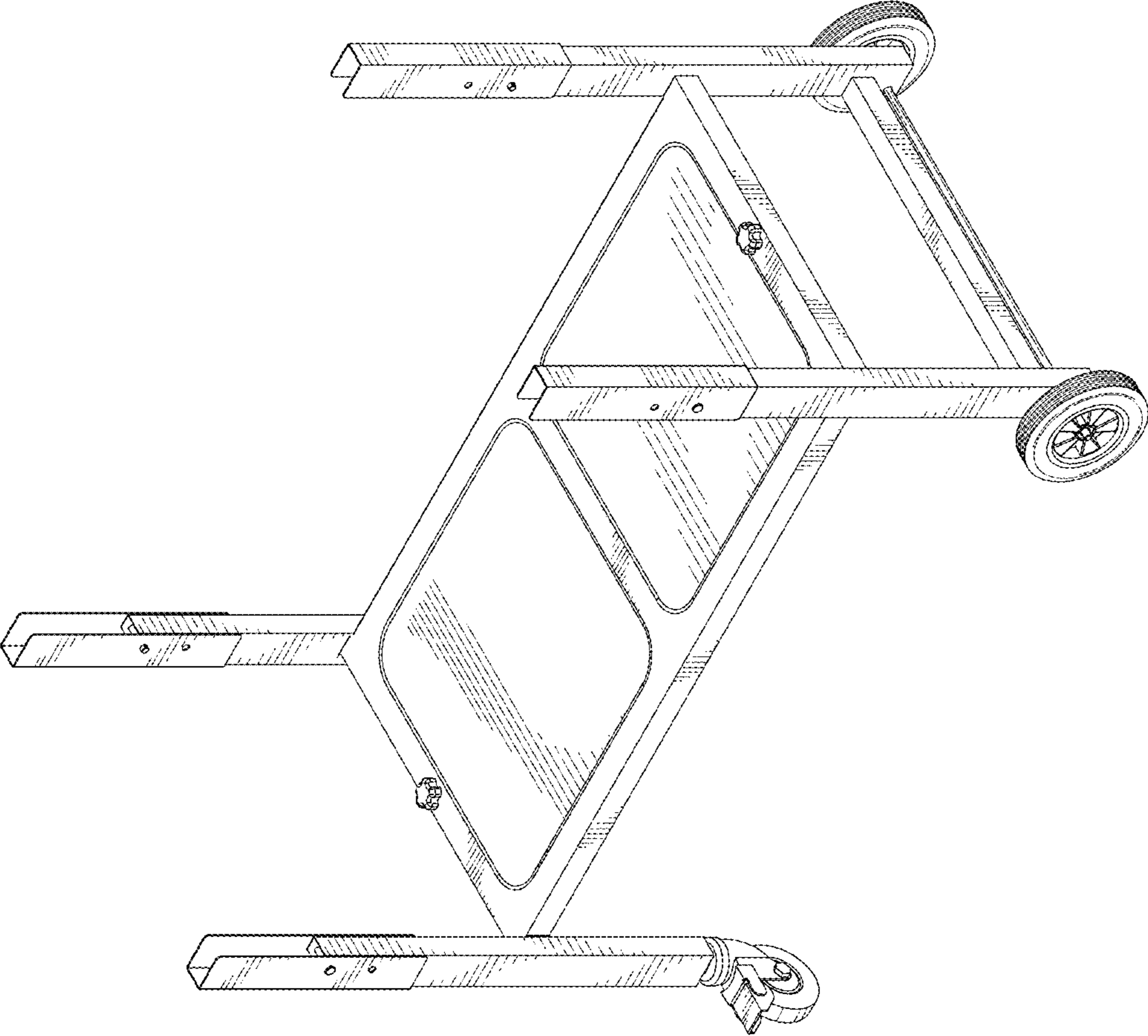


FIG. 1

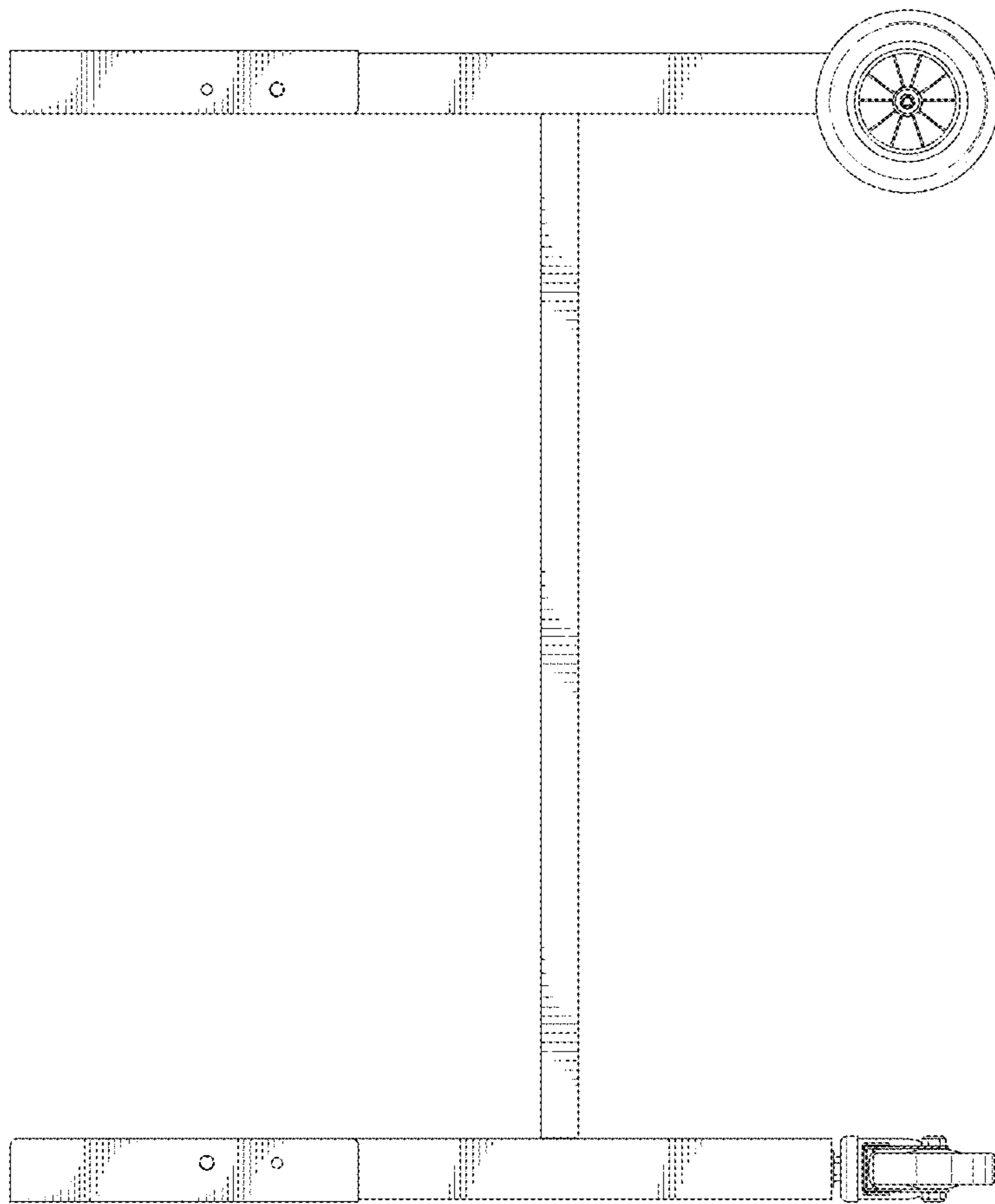


FIG. 2

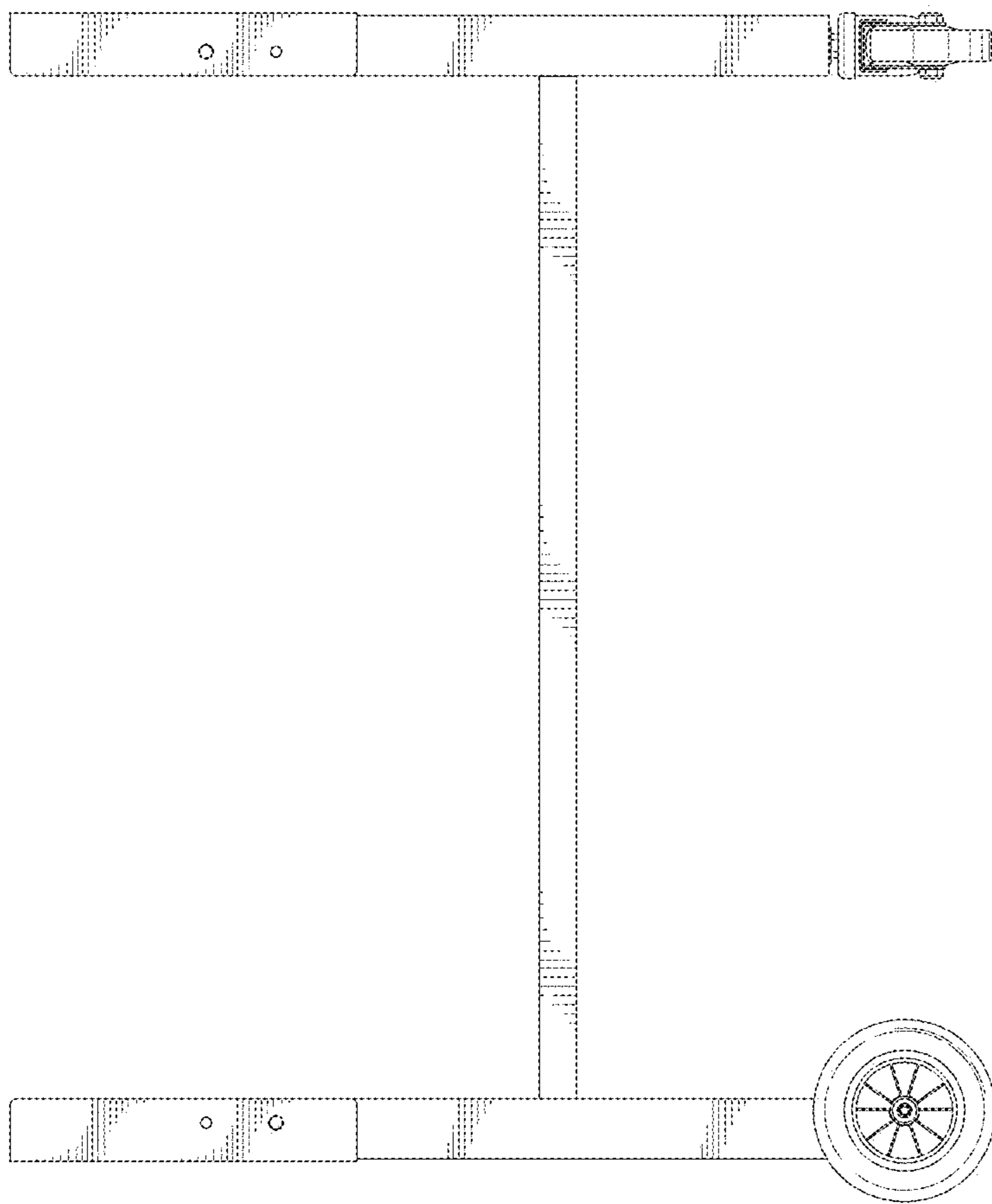


FIG. 3

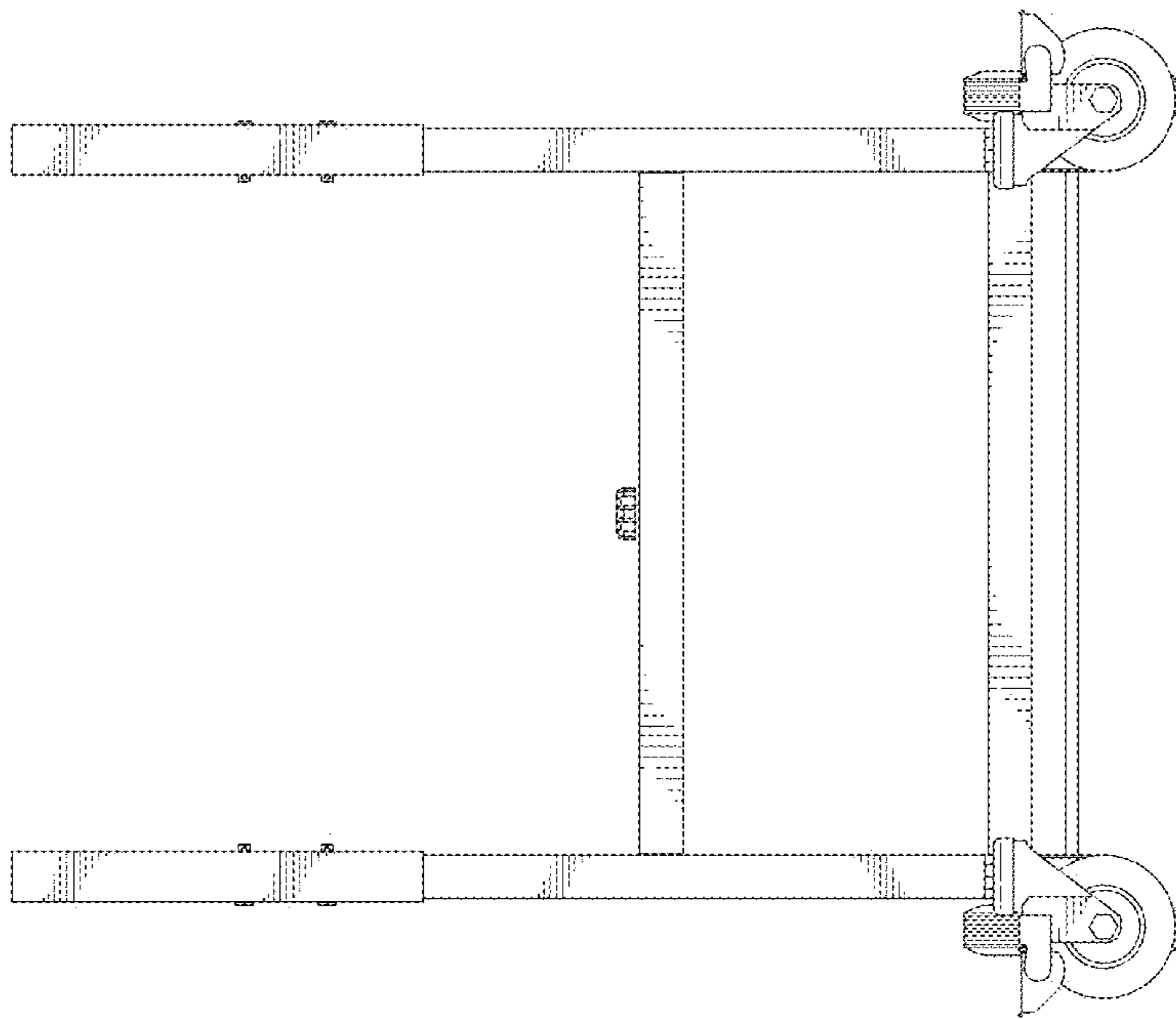


FIG. 4

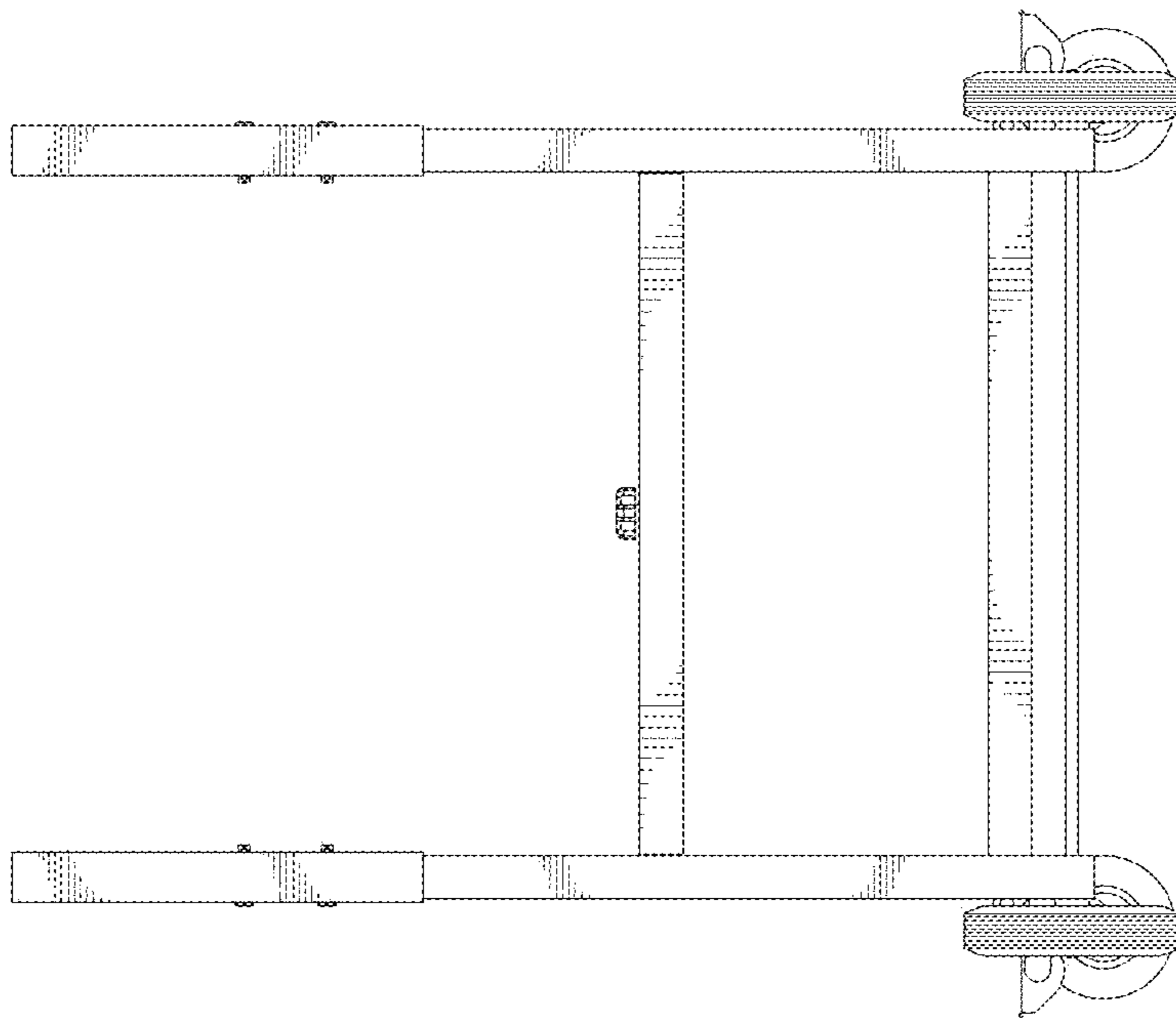


FIG. 5

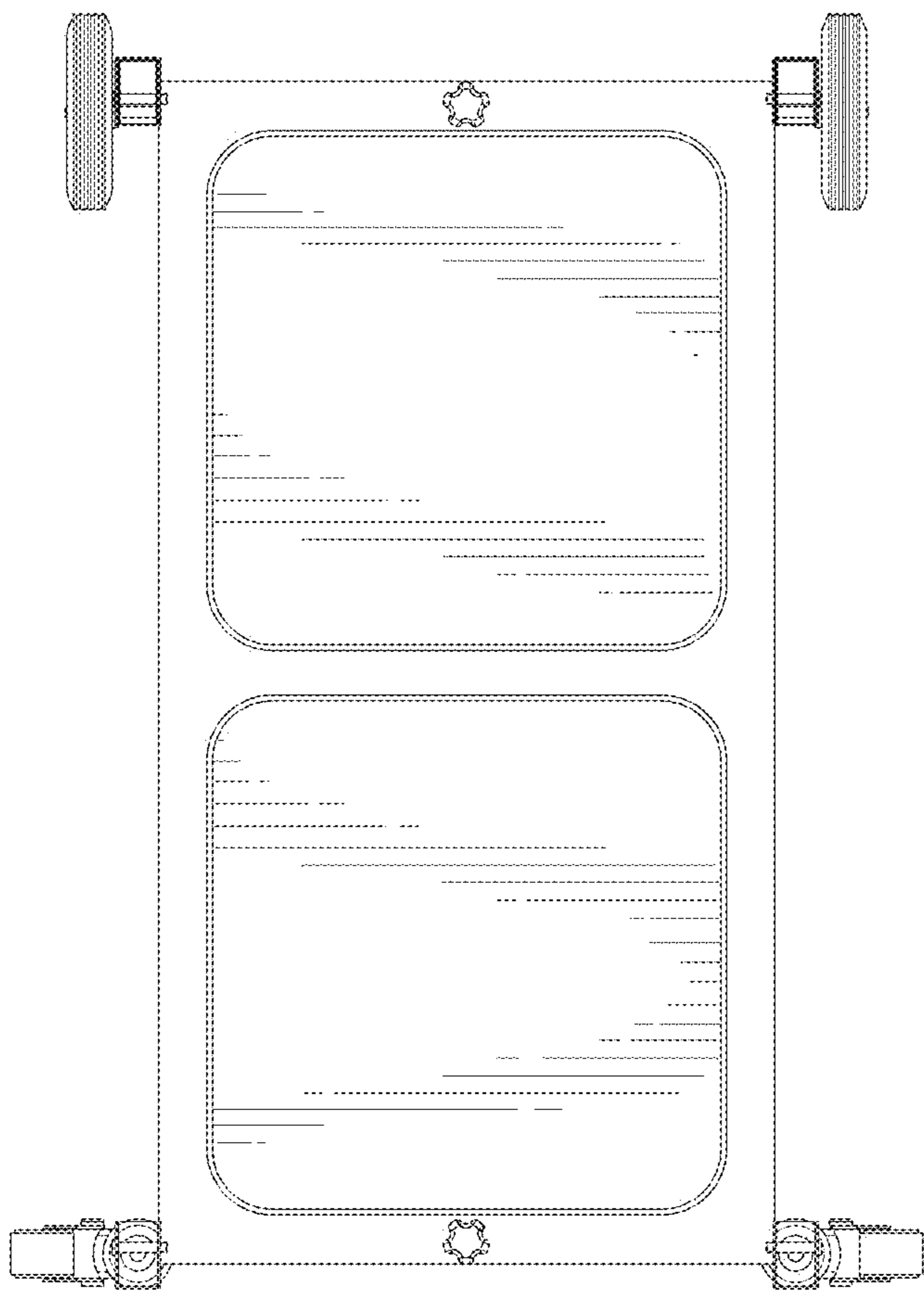


FIG. 6

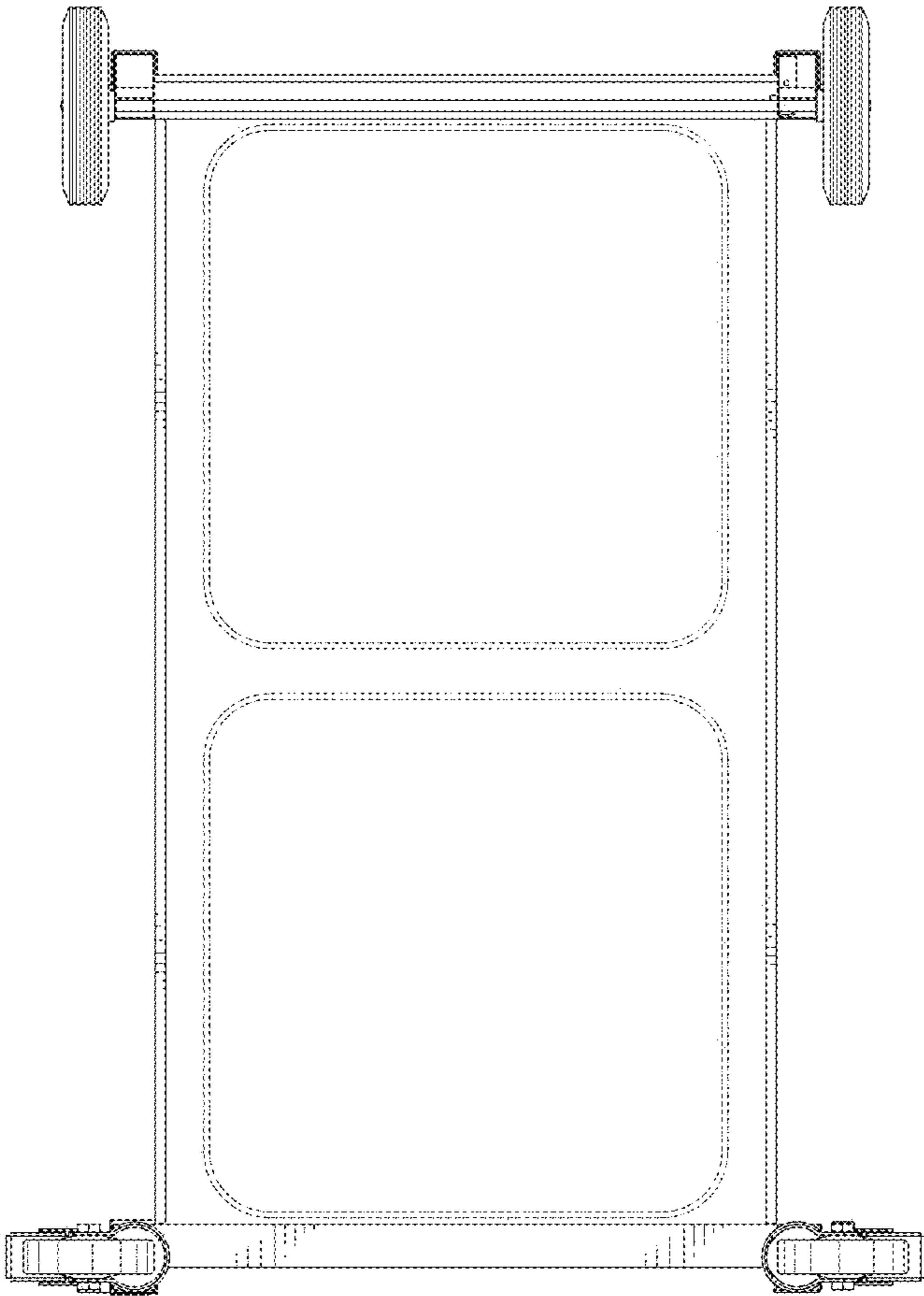


FIG. 7

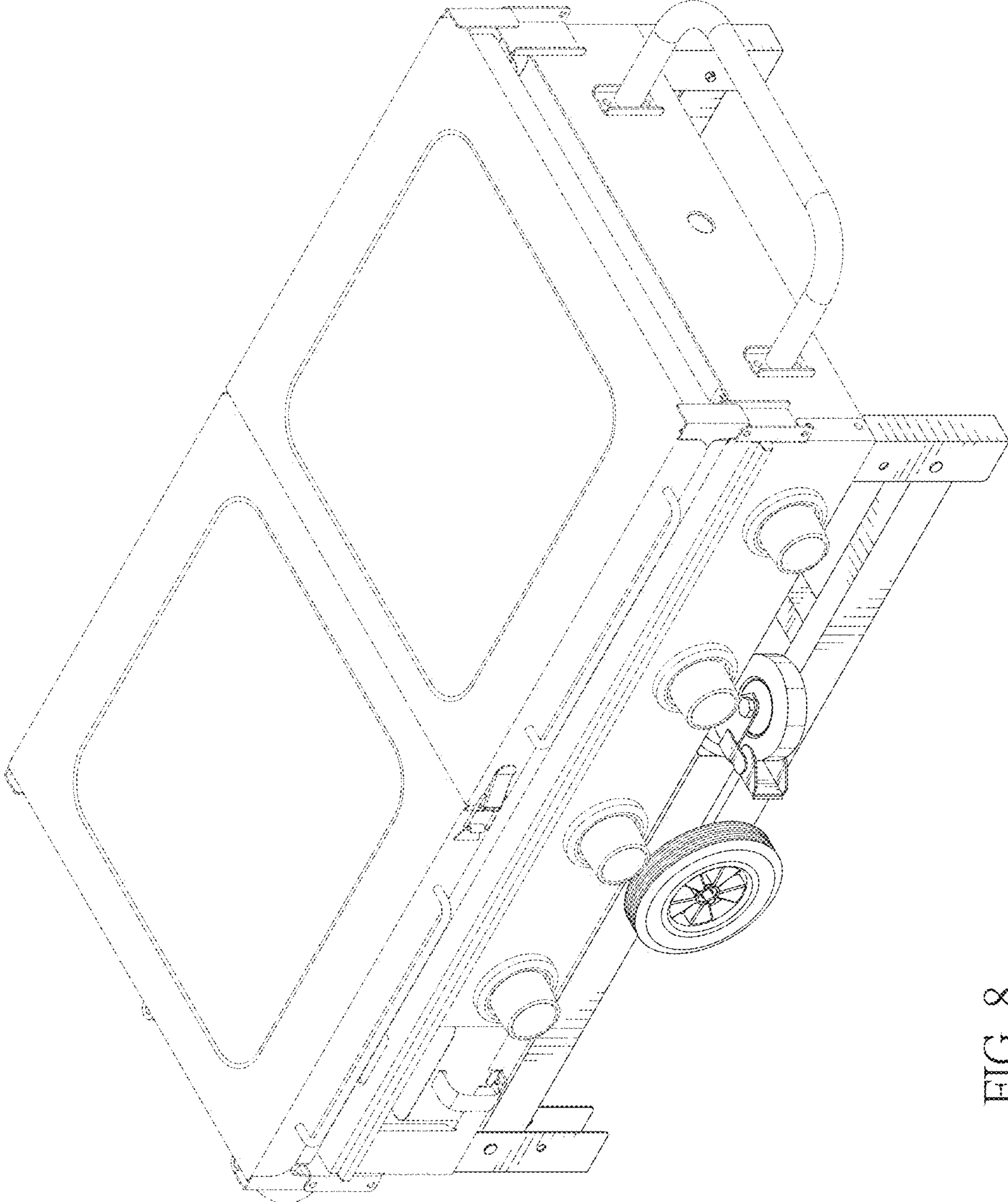


FIG. 8