



US00D909128S

(12) **United States Design Patent**
Hu

(10) **Patent No.:** **US D909,128 S**

(45) **Date of Patent:** **** Feb. 2, 2021**

(54) **CUP COVER**

(71) Applicant: **Zhihong Hu**, Jiangxi (CN)

(72) Inventor: **Zhihong Hu**, Jiangxi (CN)

(**) Term: **15 Years**

(21) Appl. No.: **29/709,746**

(22) Filed: **Oct. 17, 2019**

(51) **LOC (13) Cl.** **07-99**

(52) **U.S. Cl.**
USPC **D7/396.2**

(58) **Field of Classification Search**
USPC D3/200, 201, 202, 203.1, 203.2, 318,
D3/320; D7/509, 510, 511, 601, 602,
D7/624.1, 678, 679, 372, 387, 391, 392,
D7/392.1, 396.1, 396.2, 397, 398;
D9/428, 434, 435, 436, 439, 440, 443,
D9/447, 449, 450, 454, 455
CPC B65D 81/261; B65D 21/0217; B65D
21/0223; B65D 25/04; B65D 25/24;
B65D 43/0204; B65D 65/466; B65D
85/30; B65D 85/70; B65D 2543/00092;
B65D 2543/00296; B65D 2543/00361;
B65D 2543/00416; B65D 2543/00574;
B65D 47/122; B65D 47/066; B65D
1/0223; B65D 1/02; B65D 51/18; B65D
51/85; B65D 25/08; B65D 25/32; A47J
47/145; A47G 19/2211; A47G 19/2216;
A47G 19/22; A47G 2019/2238
See application file for complete search history.

(56) **References Cited**

U.S. PATENT DOCUMENTS

D451,023 S * 11/2001 Kitamura D9/449
D533,061 S * 12/2006 Li D9/443
D589,743 S * 4/2009 Pearson D7/392
D590,661 S * 4/2009 Kitamura D7/510

D596,460 S * 7/2009 Nezu D7/510
D608,640 S * 1/2010 Carreno D9/449
D609,964 S * 2/2010 Lane D7/392.1
D619,418 S * 7/2010 Nezu D7/510
D661,945 S * 6/2012 Eyal D7/392.1
D675,060 S * 1/2013 Lane D7/392.1
D686,871 S * 7/2013 Lane D7/392.1
D695,069 S * 12/2013 Lane D7/510
D718,572 S * 12/2014 Sturgess D7/396.2
D725,966 S * 4/2015 Boroski D7/511
D739,183 S * 9/2015 Lane D7/605
D740,605 S * 10/2015 Wodka D7/396.2
D756,701 S * 5/2016 Mettler D7/392.1
D758,790 S * 6/2016 Boroski D7/392.1
D770,222 S * 11/2016 Boroski D7/392.1
D778,117 S * 2/2017 Du D7/608
D794,453 S * 8/2017 Boroski D9/449
D795,011 S * 8/2017 Pisarevsky D7/510
D804,904 S * 12/2017 Noveletsky D7/510
D818,767 S * 5/2018 Nezu D7/392.1
D839,044 S * 1/2019 Potter D7/392

(Continued)

Primary Examiner — Catherine S Posthauer

(74) *Attorney, Agent, or Firm* — ZANIP

(57) **CLAIM**

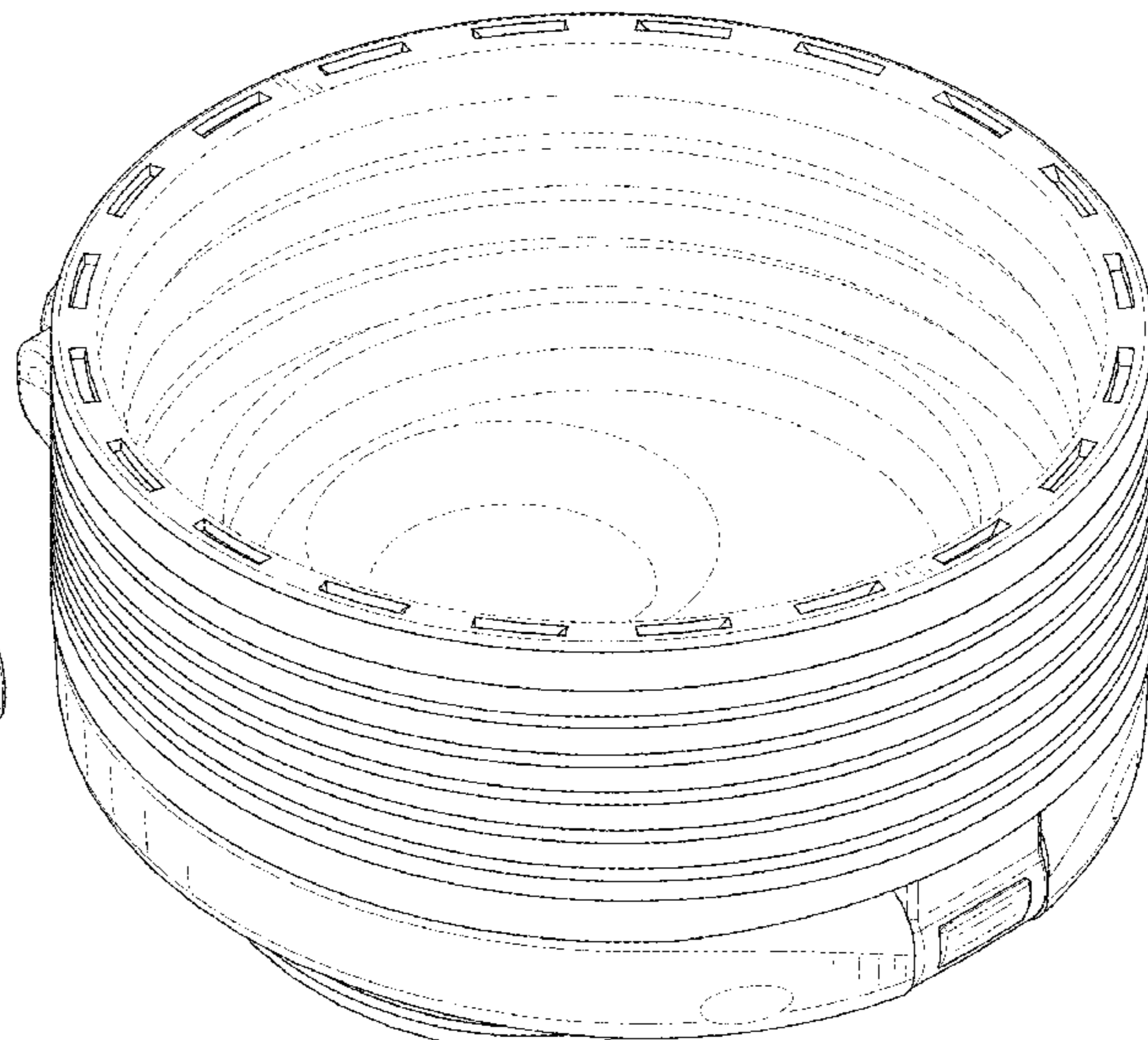
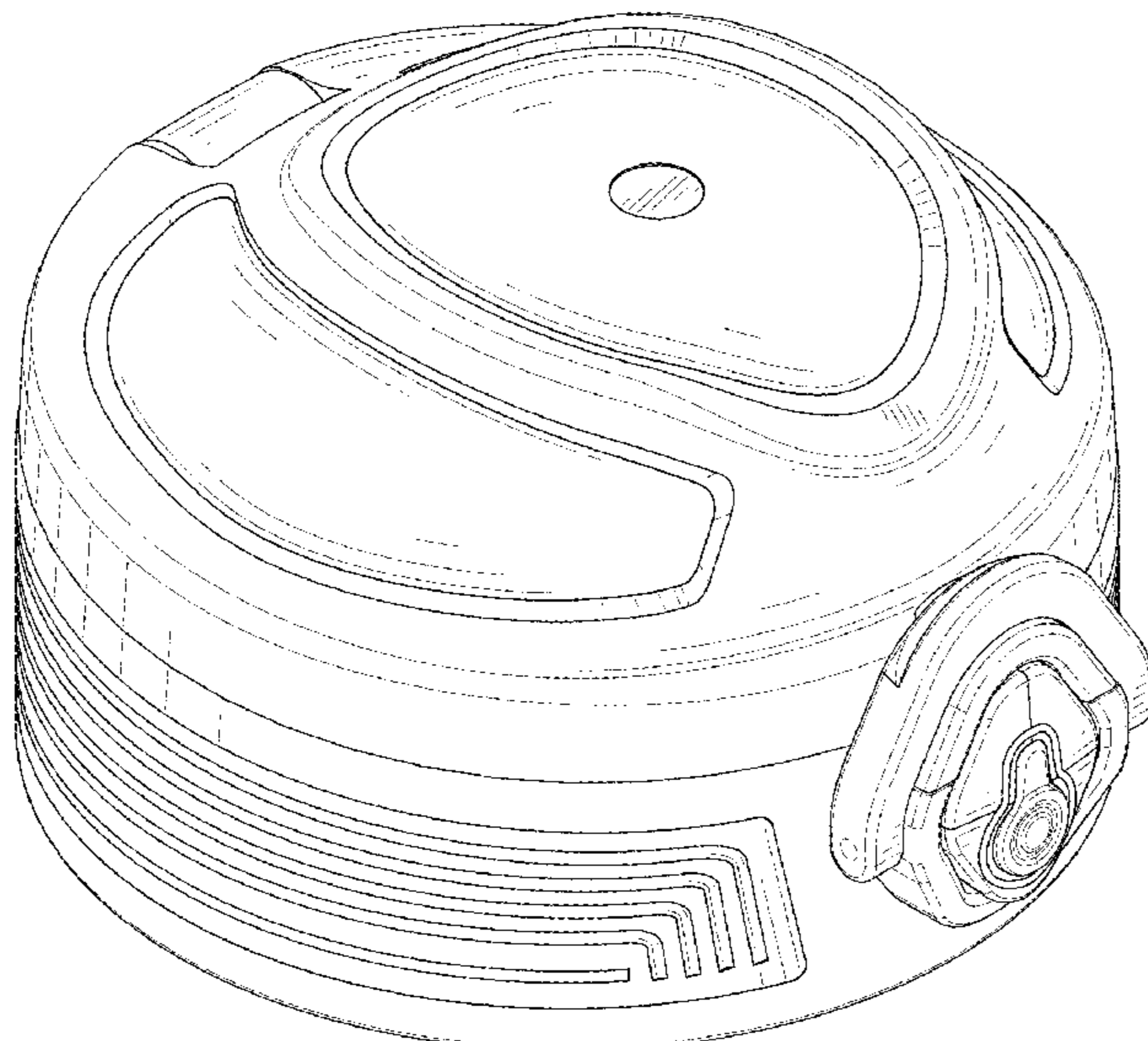
The ornamental design for a cup cover, as shown and described.

DESCRIPTION

FIG. 1 is a front and top perspective view of a cup cover, showing my new design;
FIG. 2 is a rear and bottom perspective view thereof;
FIG. 3 is a front elevational view thereof;
FIG. 4 is a rear elevational view thereof;
FIG. 5 is a left side elevational view thereof;
FIG. 6 is a right side elevational view thereof;
FIG. 7 is a top plan view thereof; and,
FIG. 8 is a bottom plan view thereof.

The broken lines in the figures illustrate portions of the cup cover that form no part of the claimed design.

1 Claim, 8 Drawing Sheets



(56)

References Cited

U.S. PATENT DOCUMENTS

D848,787	S	*	5/2019	Tatsukawa	D7/392.1
D853,784	S	*	7/2019	Wu	D7/392.1
D861,421	S	*	10/2019	Barber	D7/396.2
D867,814	S	*	11/2019	Bodum	D7/392.1
D869,230	S	*	12/2019	Hao	D7/392.1
D873,605	S	*	1/2020	Lindsay	D7/392.1
D885,124	S	*	5/2020	Yessin	D7/396.2
D885,829	S	*	6/2020	Bodum	D7/392.1
D889,194	S	*	7/2020	Han	D7/392.1
D890,564	S	*	7/2020	Hao	D7/392.1
D892,557	S	*	8/2020	Wang	D7/510
2011/0089059	A1	*	4/2011	Lane	B65D 51/285 206/222
2012/0312832	A1	*	12/2012	Lane	B65D 51/242 220/833
2014/0339177	A1	*	11/2014	Lane	C02F 1/002 210/767

* cited by examiner

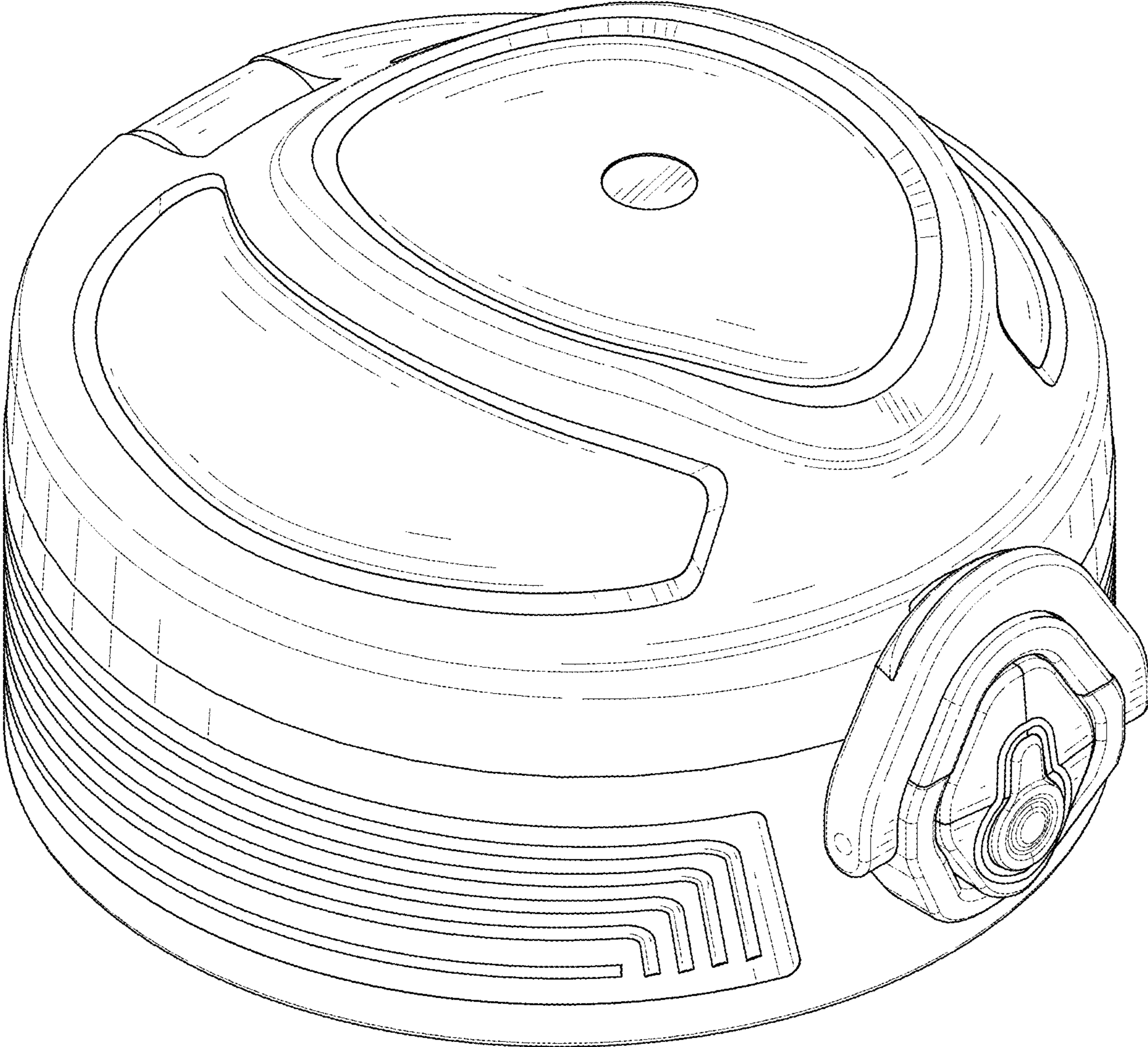


FIG. 1

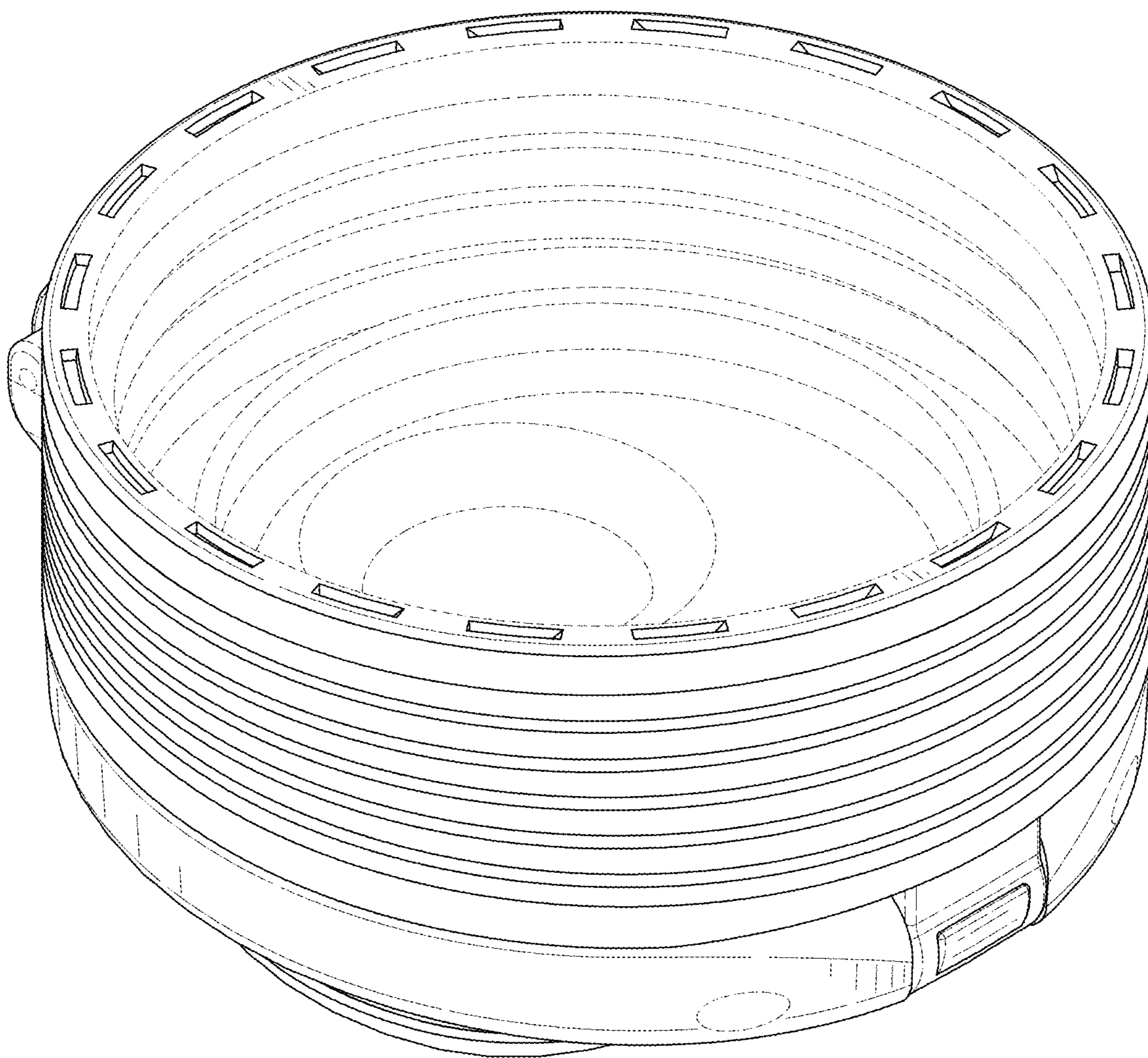


FIG. 2

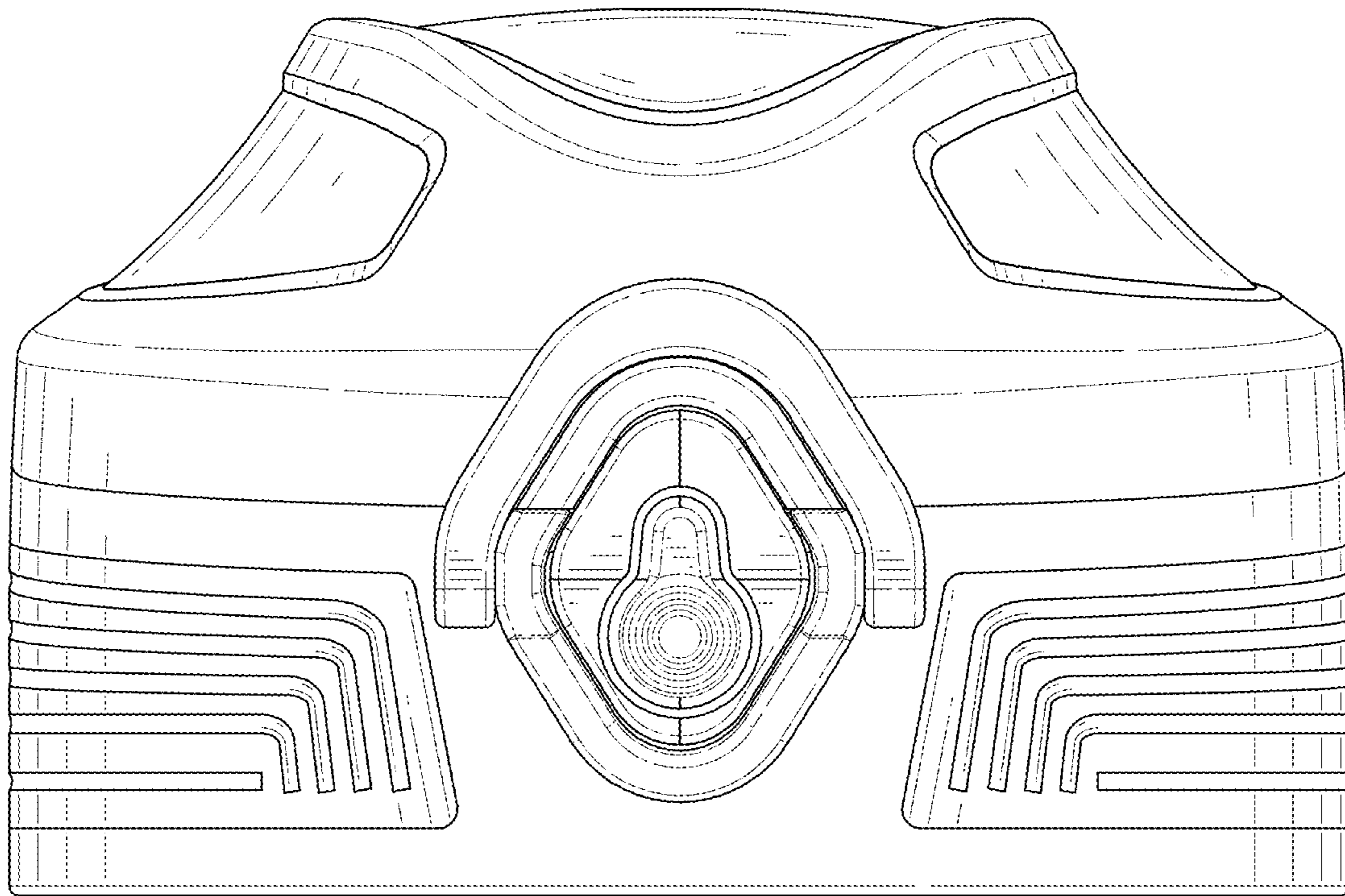


FIG. 3

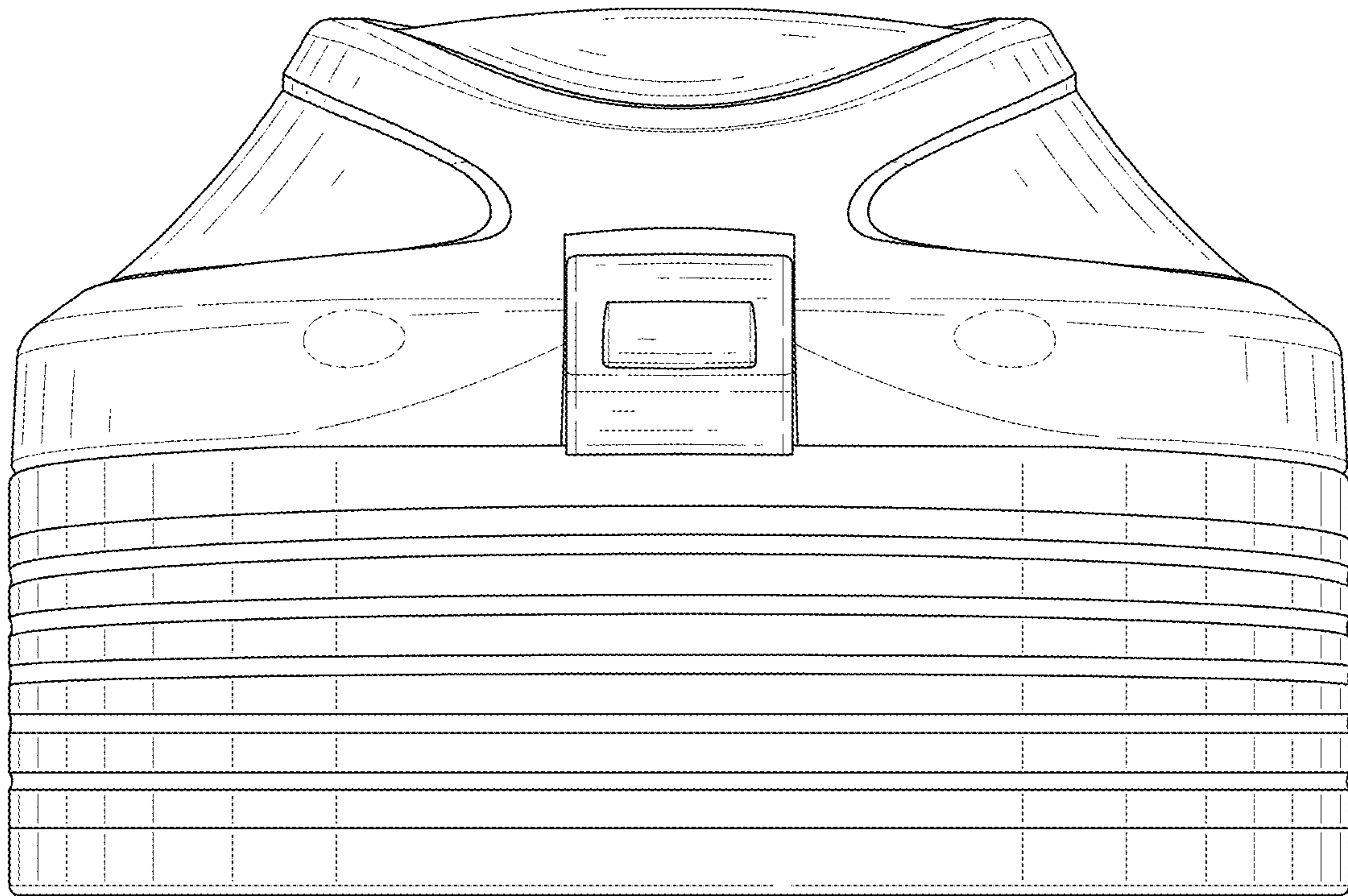


FIG. 4

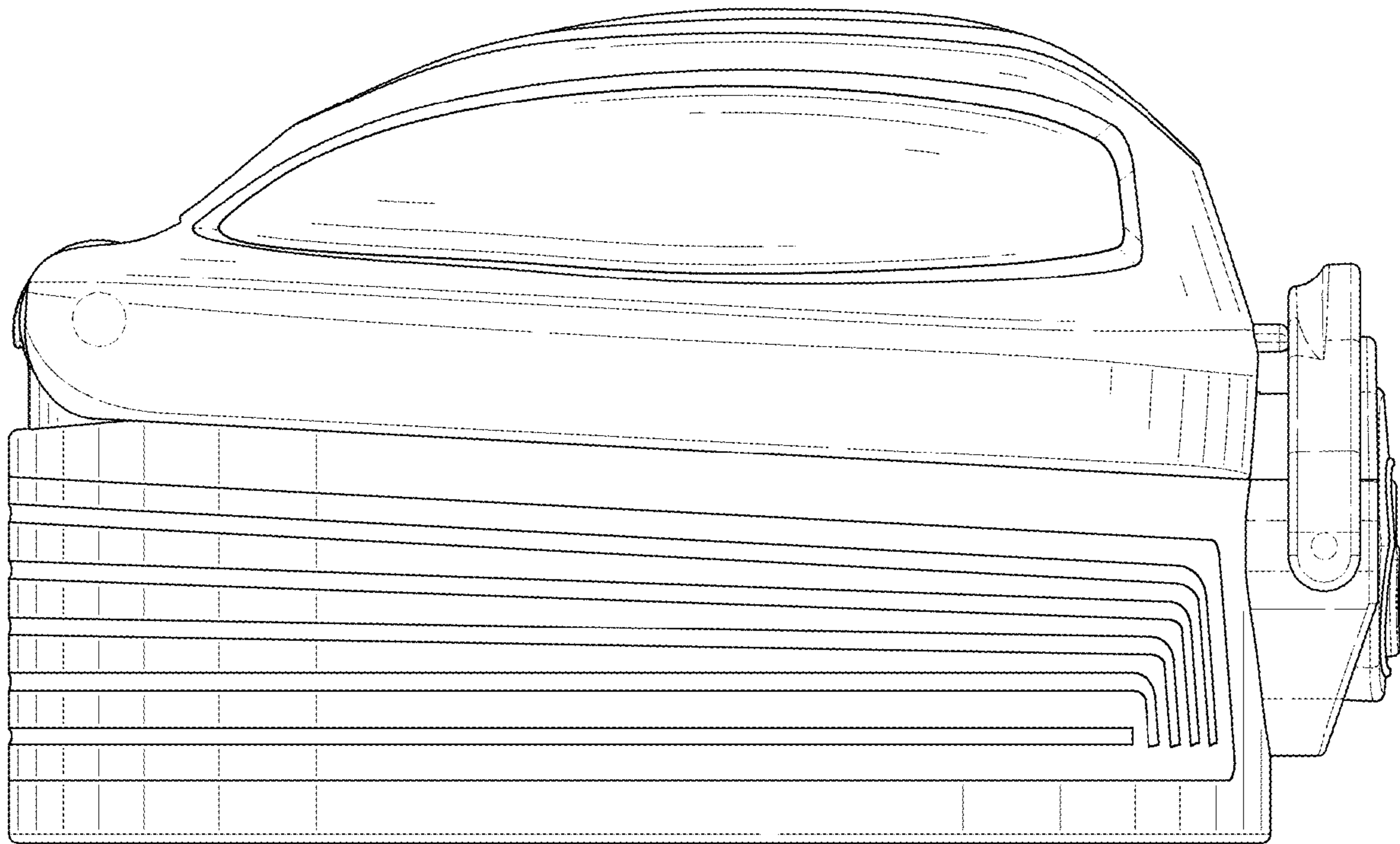


FIG. 5

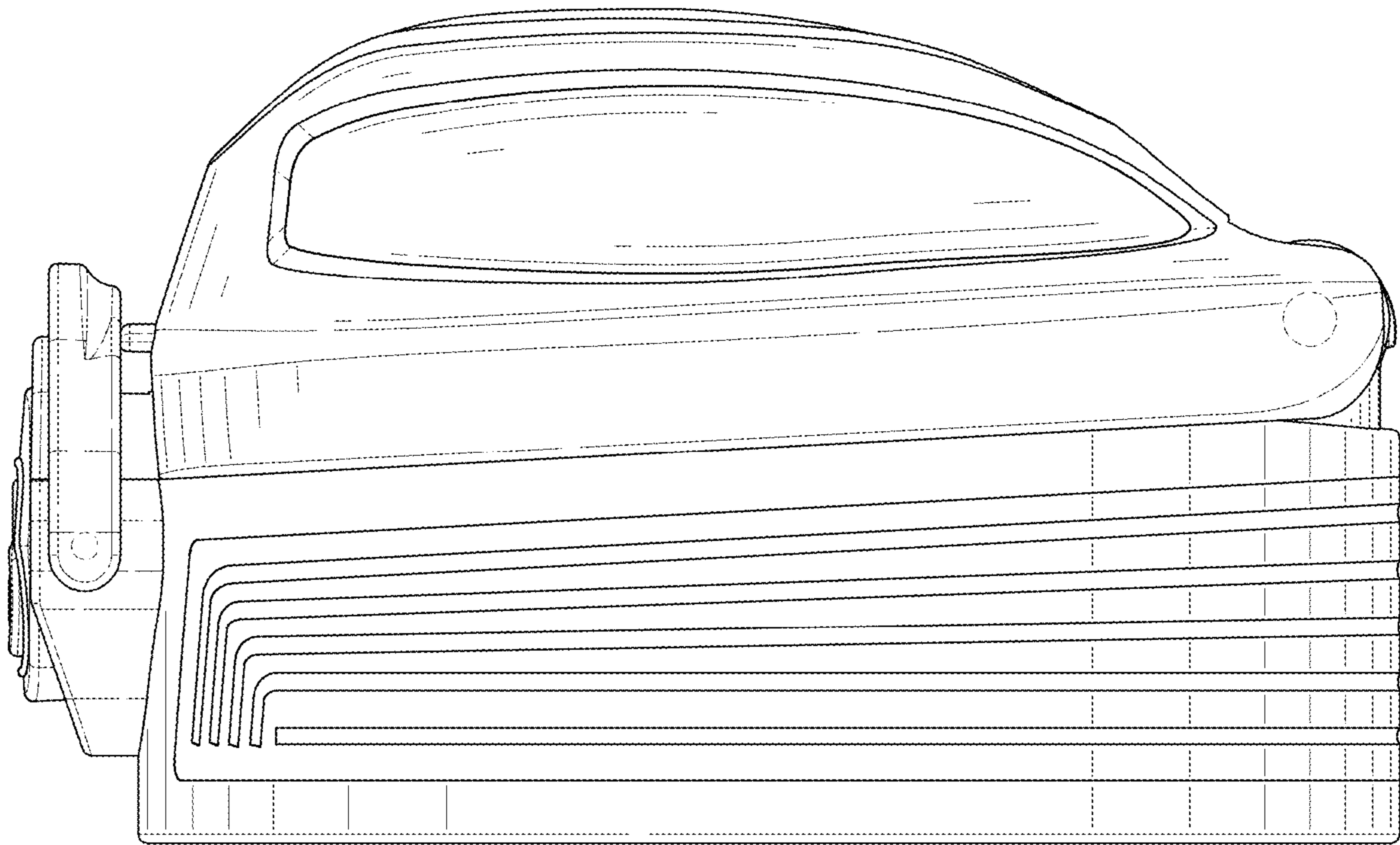


FIG. 6

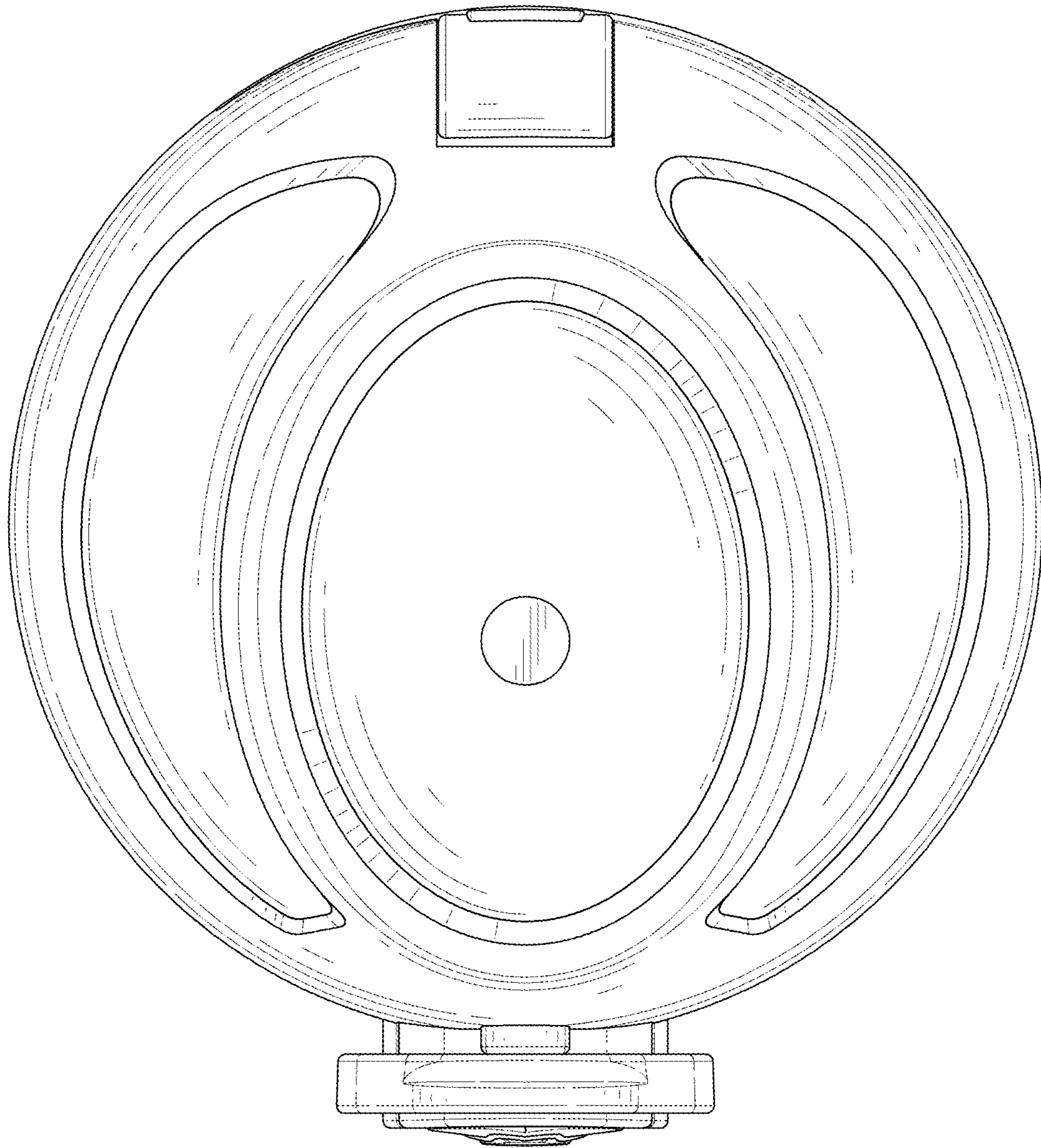


FIG. 7

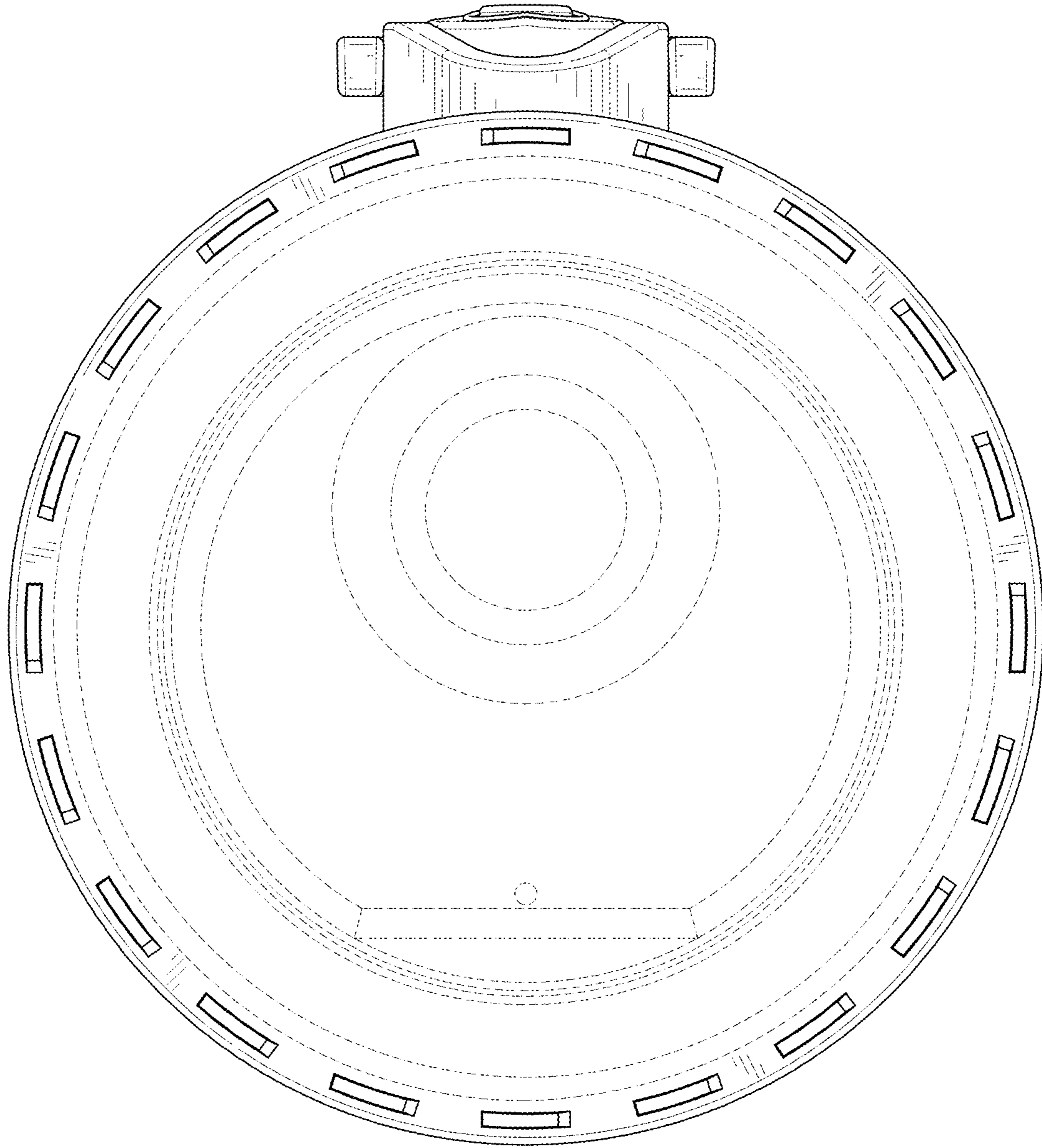


FIG. 8