



US00D909126S

(12) **United States Design Patent**
Hartley et al.

(10) **Patent No.:** **US D909,126 S**

(45) **Date of Patent:** **** Feb. 2, 2021**

(54) **CONTAINER LID**

- (71) Applicant: **The Decor Corporation Pty. Ltd.**,
Dandenong South (AU)
- (72) Inventors: **Toby Hartley**, Keysborough (AU);
George Kotsiopoulos, Keysborough
(AU); **Alexander Schoenmakers**,
Keysborough (AU); **Justin Armistead**,
Keysborough (AU)
- (73) Assignee: **The Decor Corporation Pty. Ltd.**,
Dandenong South (AU)
- (**) Term: **15 Years**
- (21) Appl. No.: **29/700,071**
- (22) Filed: **Jul. 31, 2019**

(30) **Foreign Application Priority Data**

Feb. 5, 2019 (AU) 201910581
 Feb. 5, 2019 (AU) 201910584

(51) **LOC (13) Cl.** **07-02**

(52) **U.S. Cl.**
USPC **D7/391**

(58) **Field of Classification Search**

USPC D7/391, 392, 392.1, 393, 397, 601-602,
D7/615, 629-630, 538-542; D9/414,
D9/424-432, 435, 451-452; D23/385
CPC A47J 36/027; A47J 36/06; A47J 37/10;
A47J 37/101; B65D 21/0209; B65D
21/0219; B65D 43/00; B65D 43/02;
B65D 43/0206; B65D 43/022; B65D
43/161; B65D 43/162; B65D 45/00;
B65D 45/16; B65D 45/18; B65D 45/20;
B65D 51/16; B65D 51/1683; B65D
51/1688; B65D 51/1694; B65D 2251/00;
B65F 1/1615

See application file for complete search history.

(56) **References Cited**

U.S. PATENT DOCUMENTS

D396,172 S *	7/1998	Nask	D7/615
D403,582 S *	1/1999	Nask	D9/435
5,896,993 A *	4/1999	Nask	B65D 21/0219 206/508
D566,483 S *	4/2008	Tucker	D7/542
D610,412 S *	2/2010	Matsumoto	D7/629
D754,836 S *	4/2016	Park	D23/385
D817,701 S *	5/2018	Ho	D7/391

(Continued)

Primary Examiner — Ricky Pham

(74) *Attorney, Agent, or Firm* — Stevens & Showalter
LLP

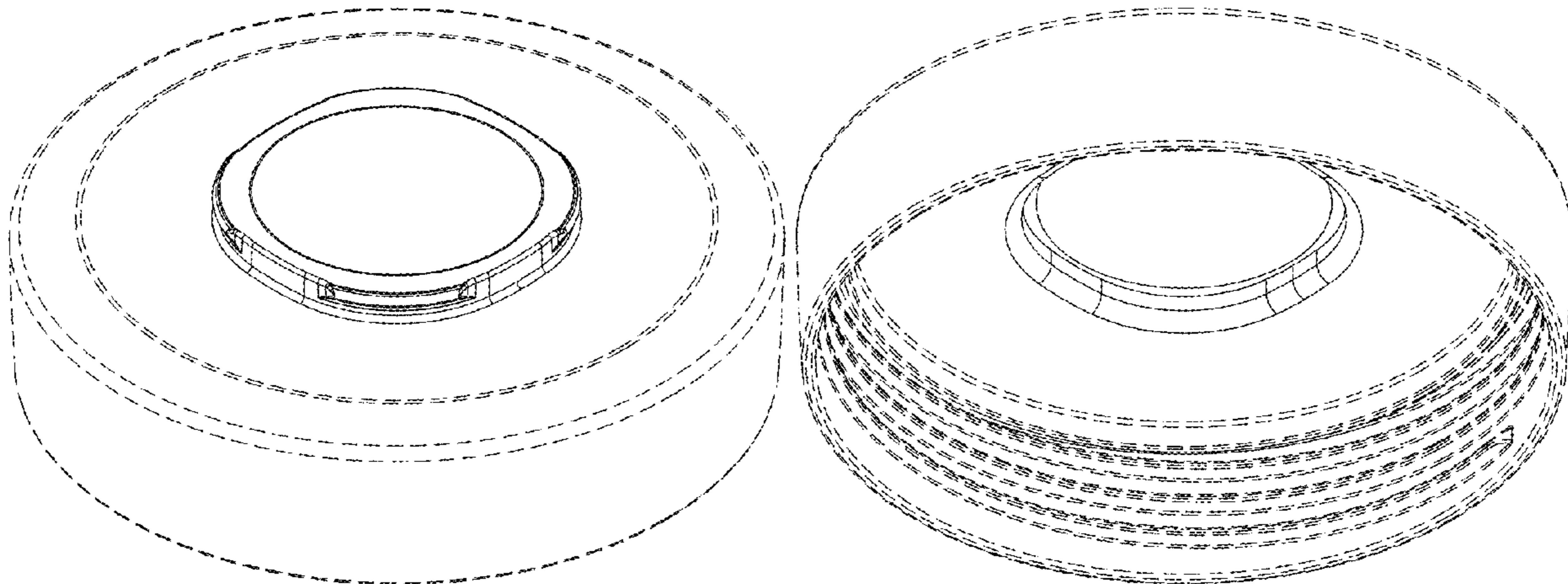
(57) **CLAIM**

The ornamental design for a container lid, as shown and described.

DESCRIPTION

FIG. 1 is a front perspective view from above of a first embodiment of a container lid;
 FIG. 2 is a rear perspective view thereof from below;
 FIG. 3 is a top plan view thereof;
 FIG. 4 is a bottom plan view thereof;
 FIG. 5 is a front elevation view thereof;
 FIG. 6 is a rear elevation view thereof;
 FIG. 7 is left side elevation view thereof;
 FIG. 8 is a right side elevation view thereof;
 FIG. 9 is a front perspective view from above of a second embodiment of a container lid;
 FIG. 10 is a rear perspective view thereof from below;
 FIG. 11 is a top plan view thereof;
 FIG. 12 is a bottom plan view thereof;
 FIG. 13 is a front elevation view thereof;
 FIG. 14 is a rear elevation view thereof;
 FIG. 15 is left side elevation view thereof; and,
 FIG. 16 is a right side elevation view thereof.
 The broken lines shown in the drawings represent unclaimed subject matter and form no part of the claimed design.

1 Claim, 8 Drawing Sheets



(56)

References Cited

U.S. PATENT DOCUMENTS

D839,664 S *	2/2019	Pentelovitch	D7/391
D850,187 S *	6/2019	Pentelovitch	D7/391
D854,879 S *	7/2019	Pentelovitch	D7/391
D876,178 S *	2/2020	Pentelovitch	D7/629
D877,574 S *	3/2020	Pentelovitch	D7/629
D878,165 S *	3/2020	Pentelovitch	D7/629

* cited by examiner

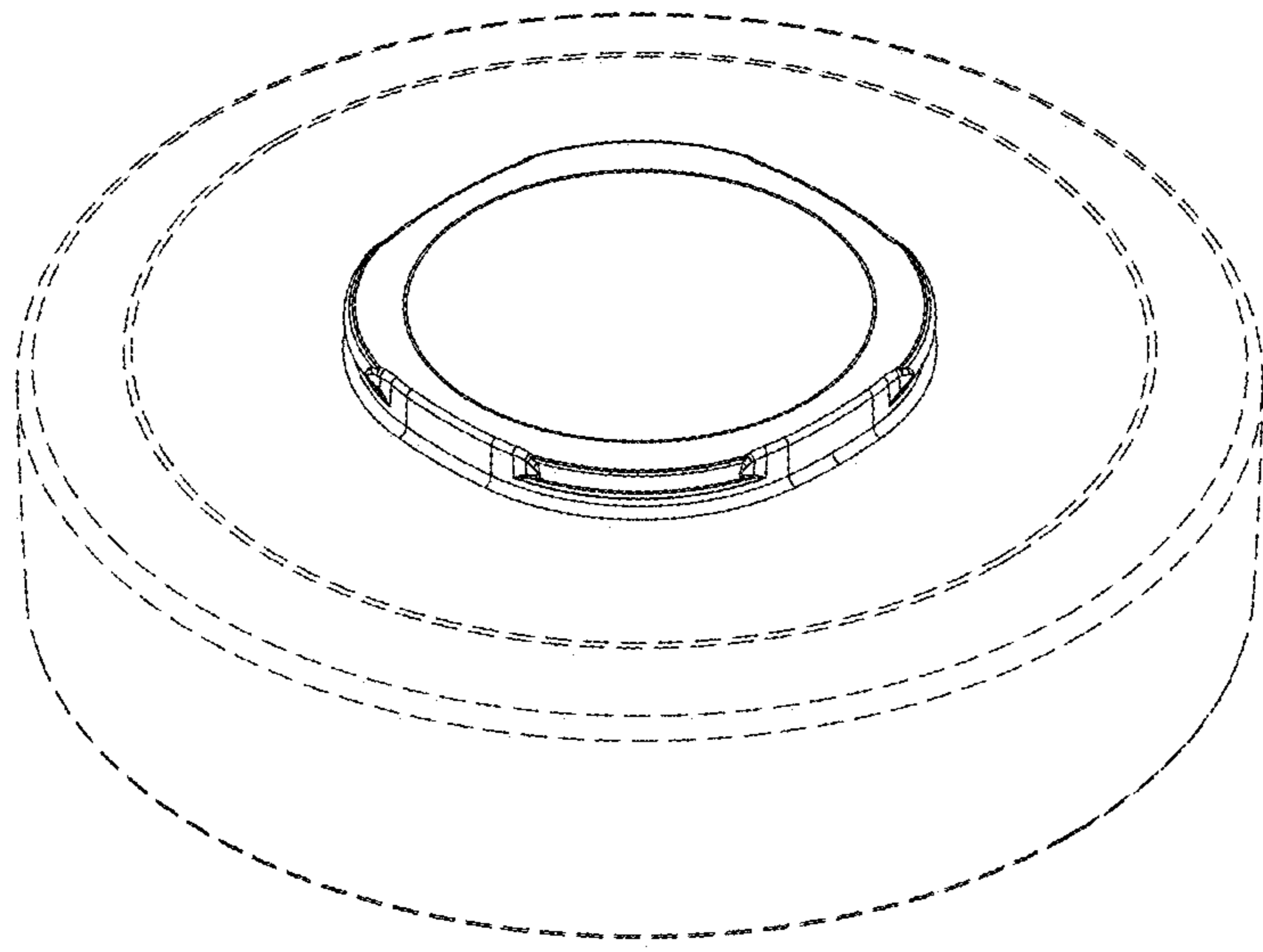


Figure 1

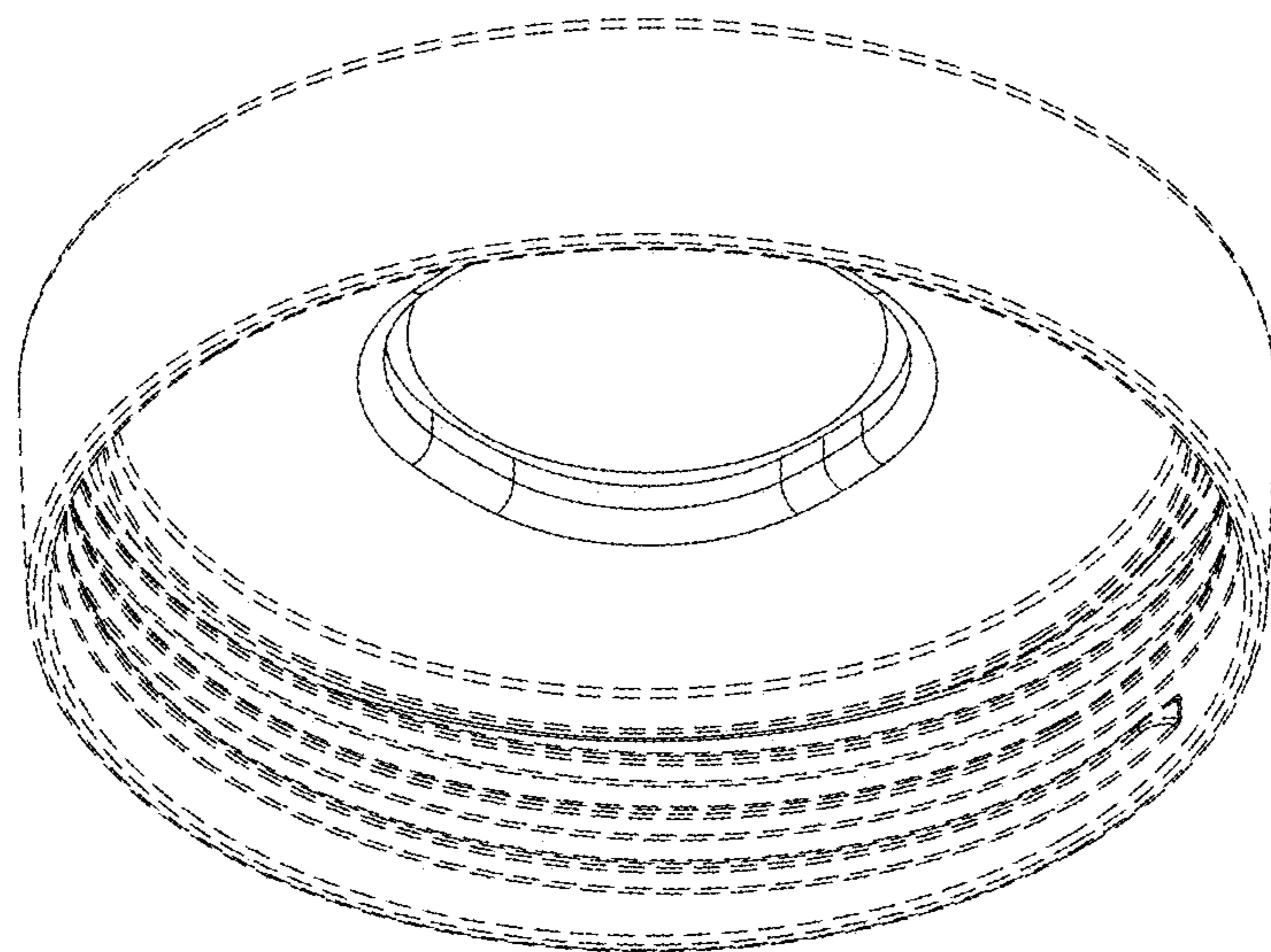


Figure 2

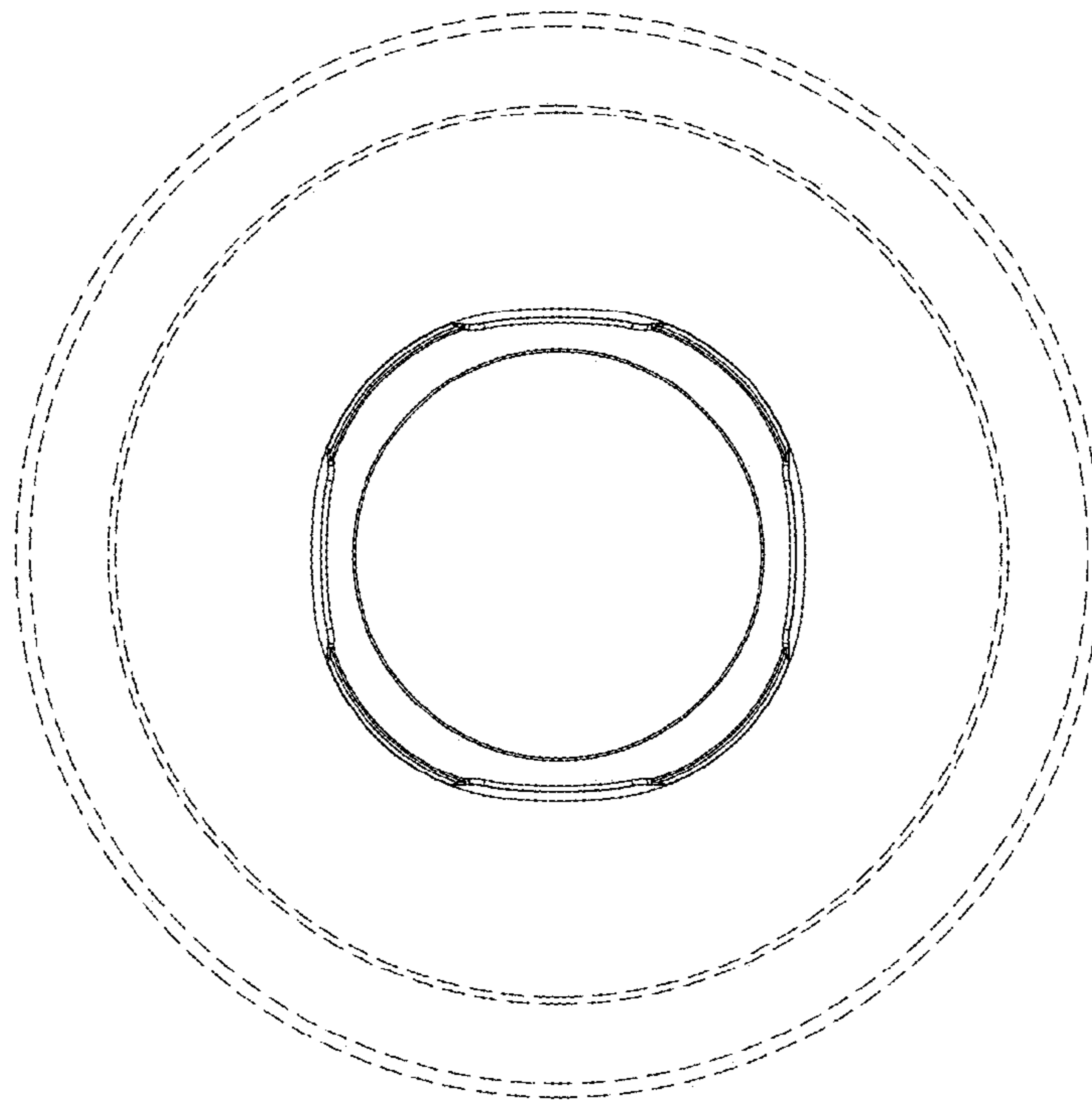


Figure 3

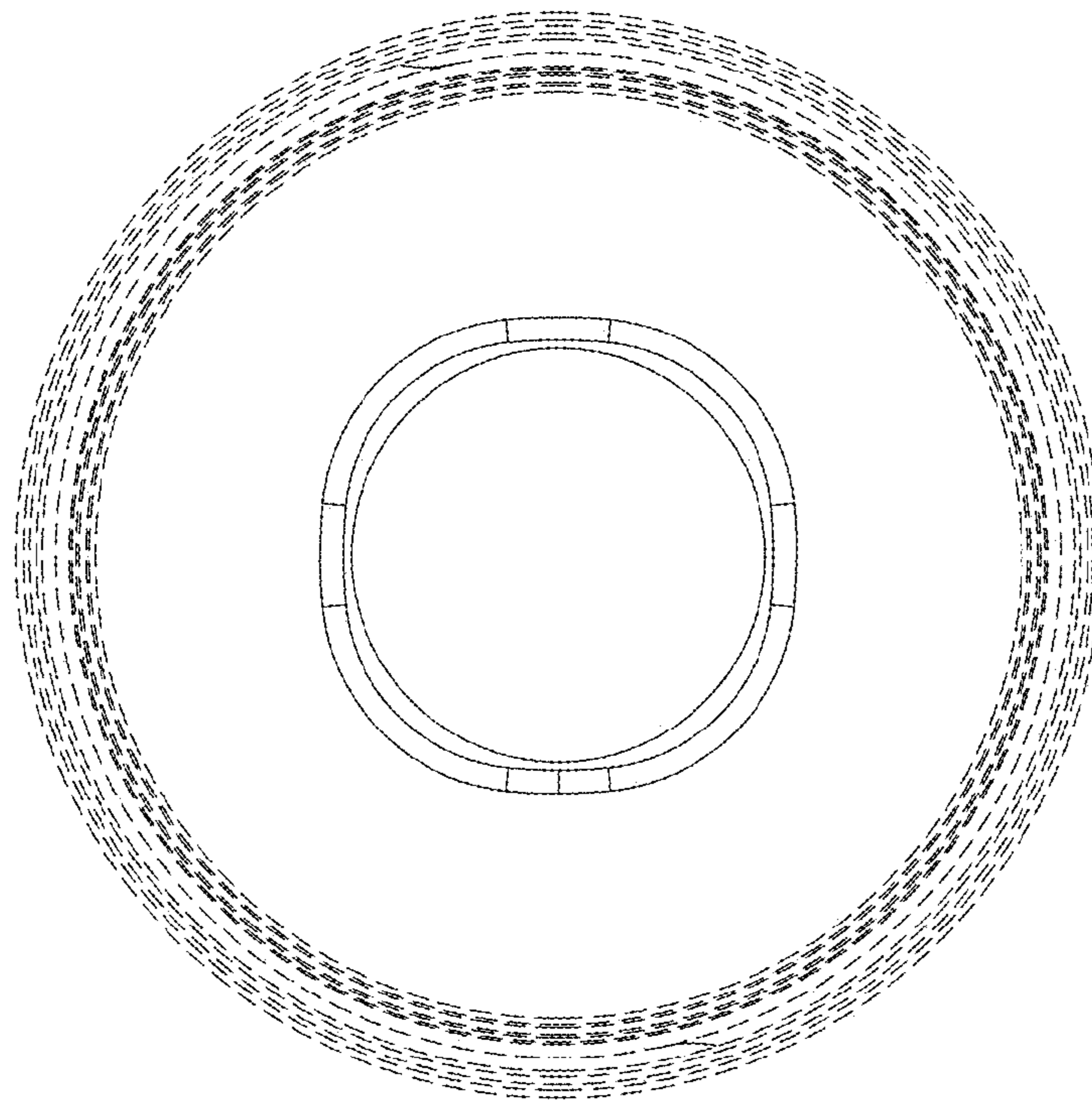


Figure 4

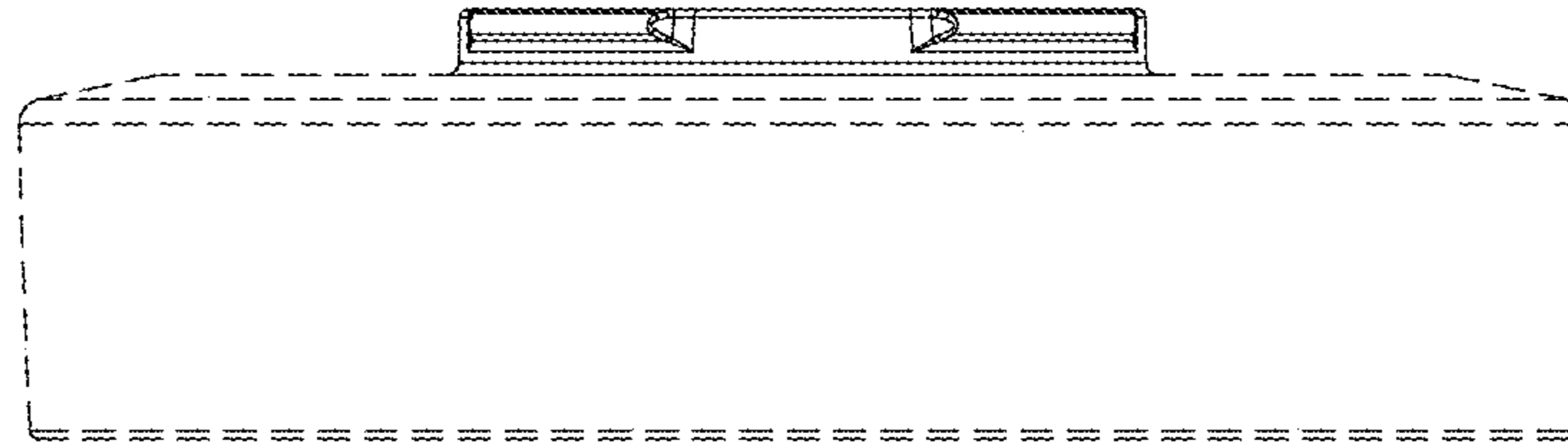


Figure 5

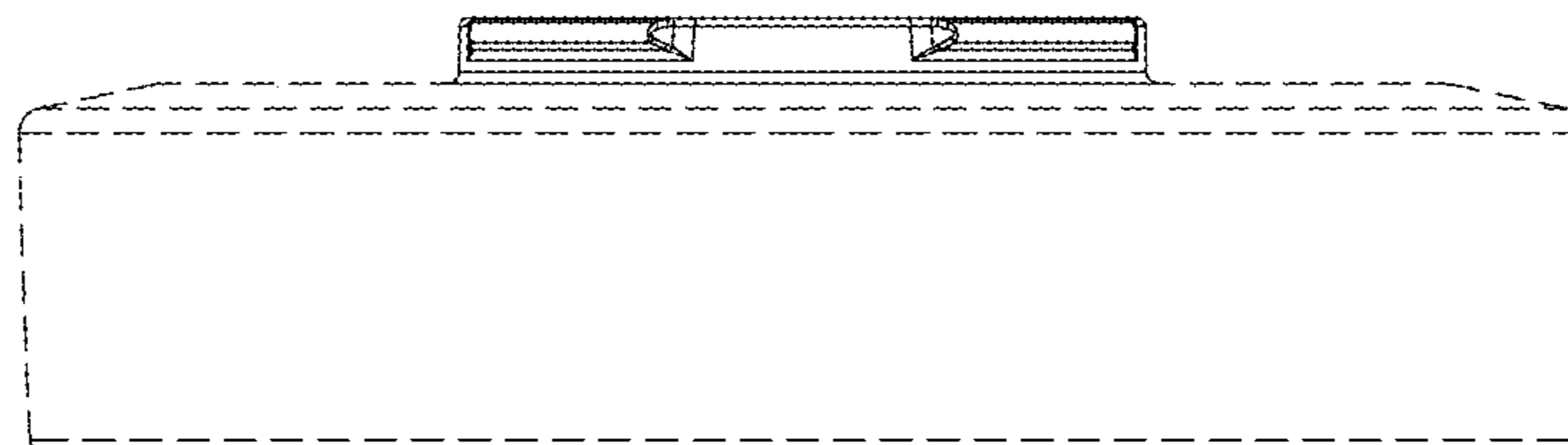


Figure 6

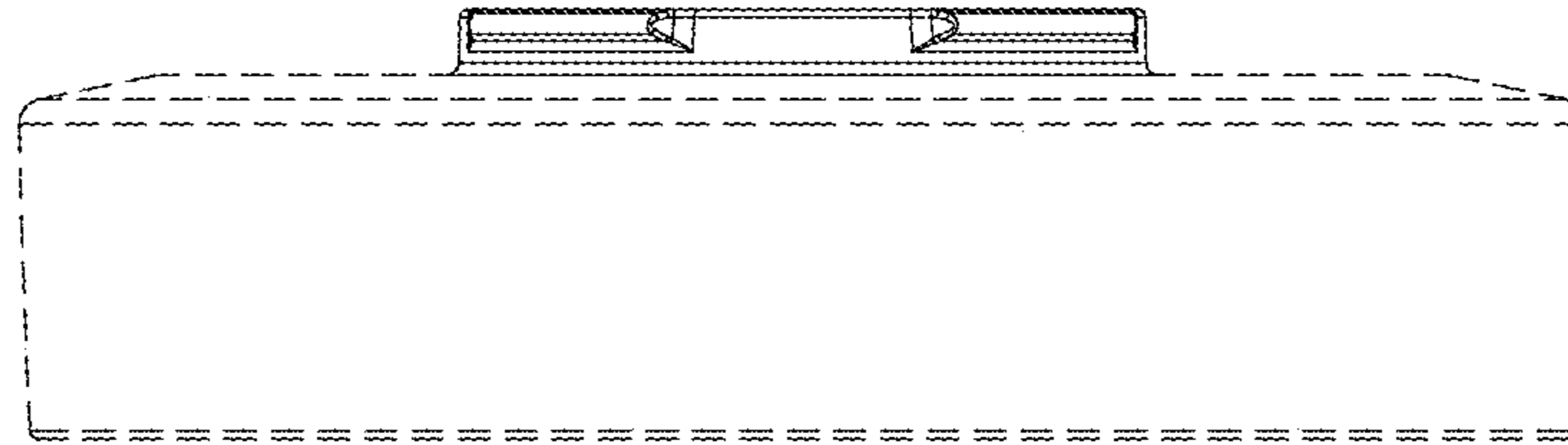


Figure 7

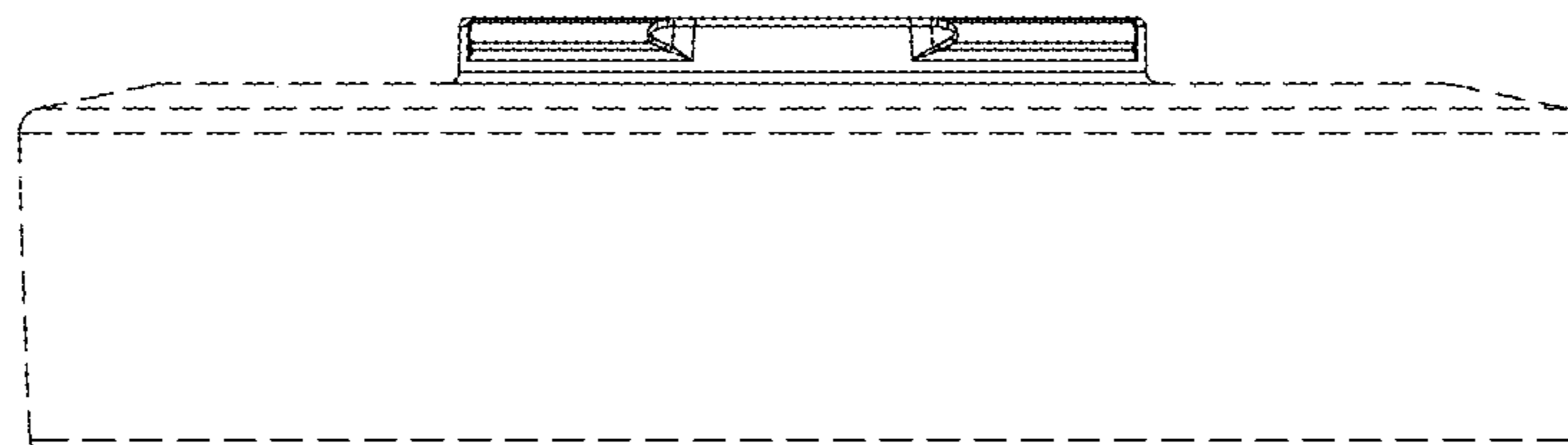


Figure 8

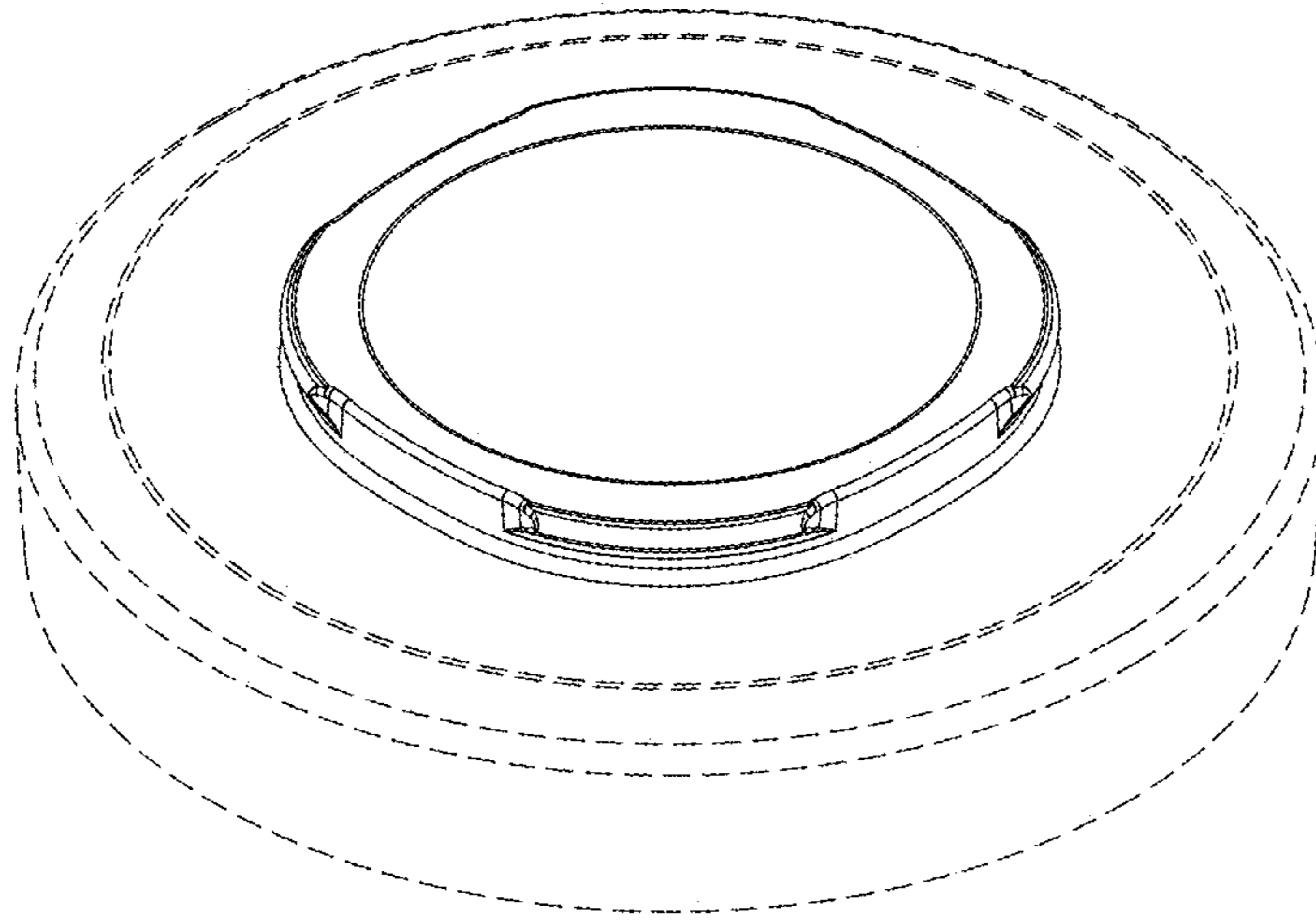


Figure 9

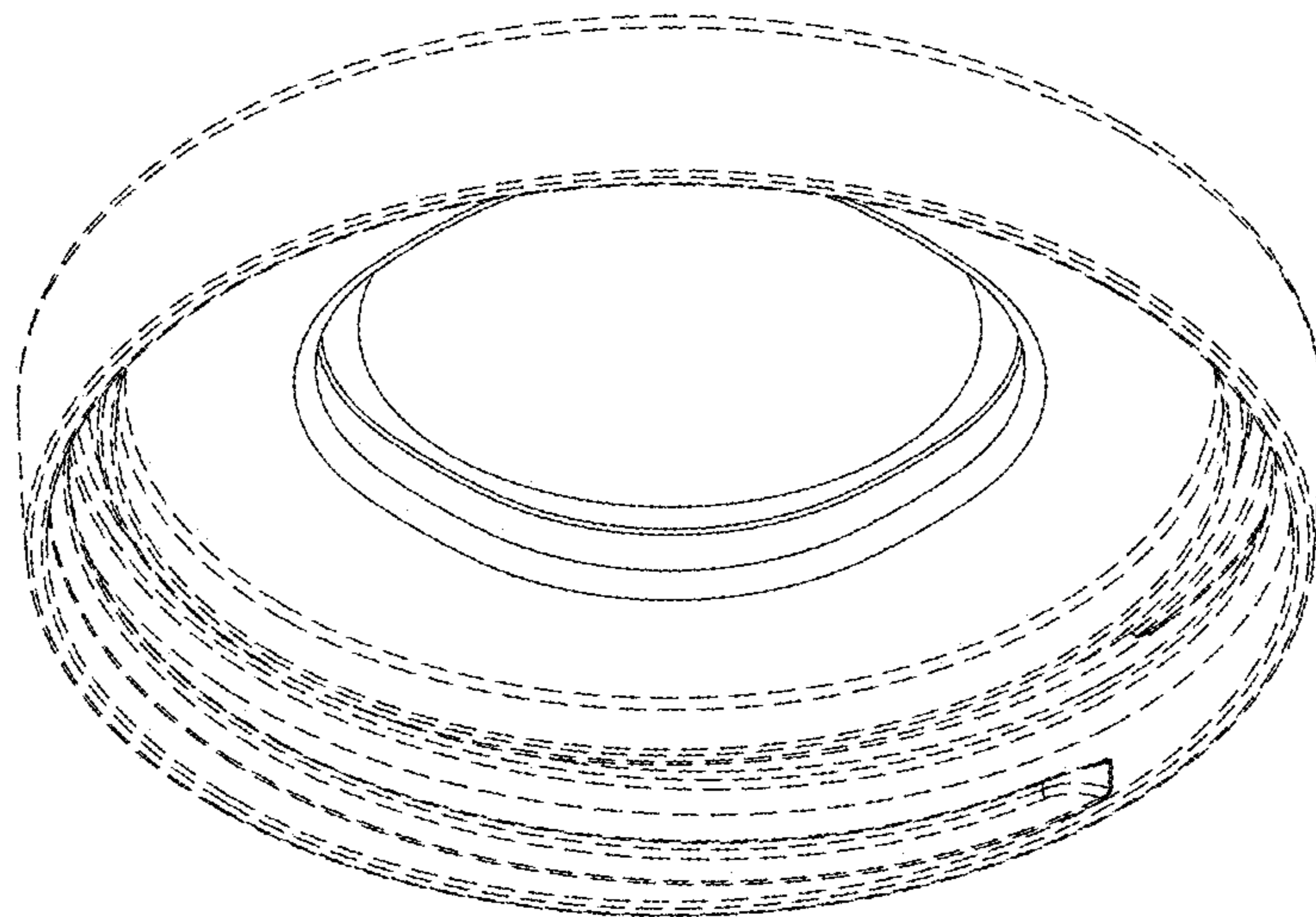


Figure 10

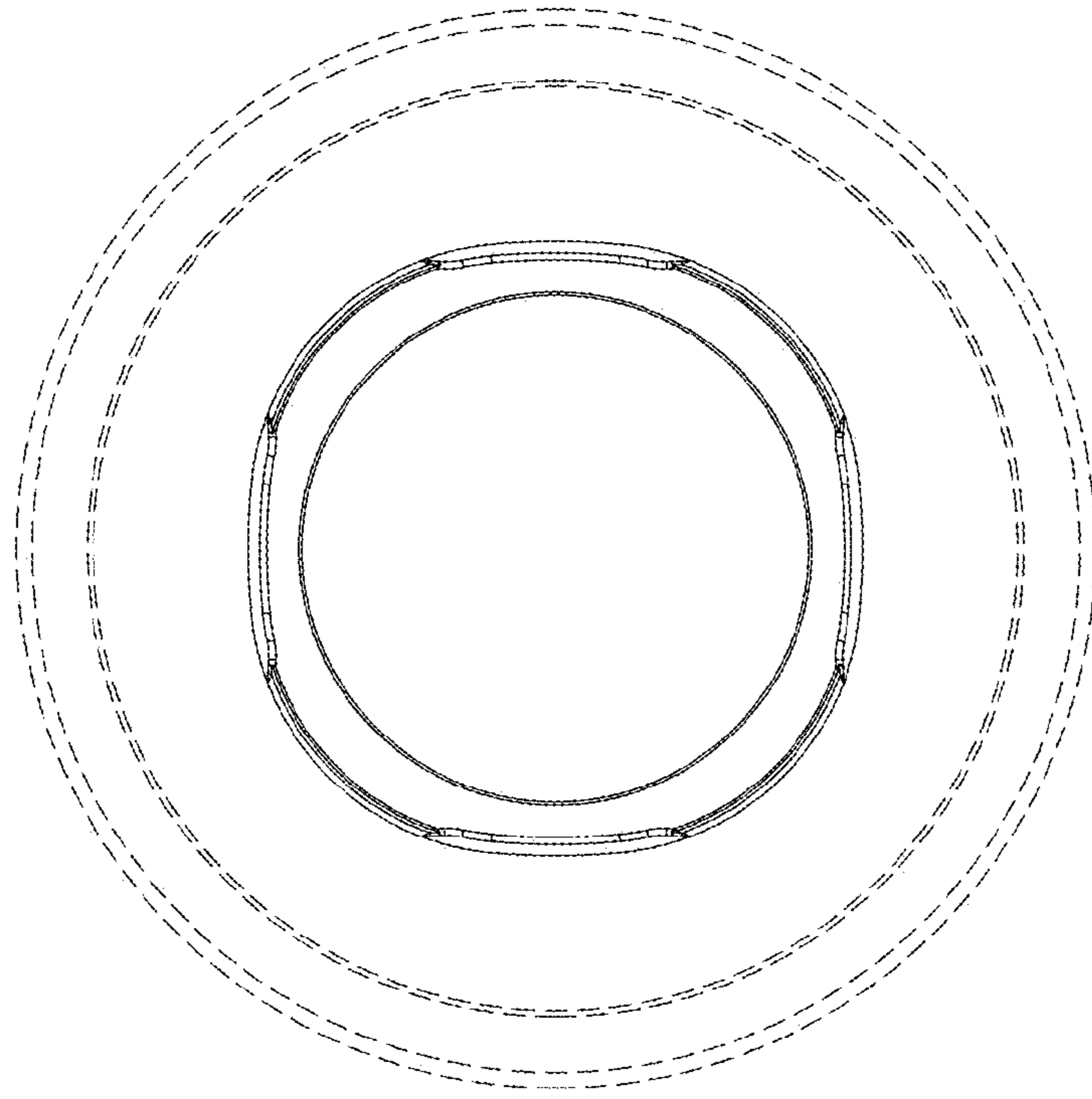


Figure 11

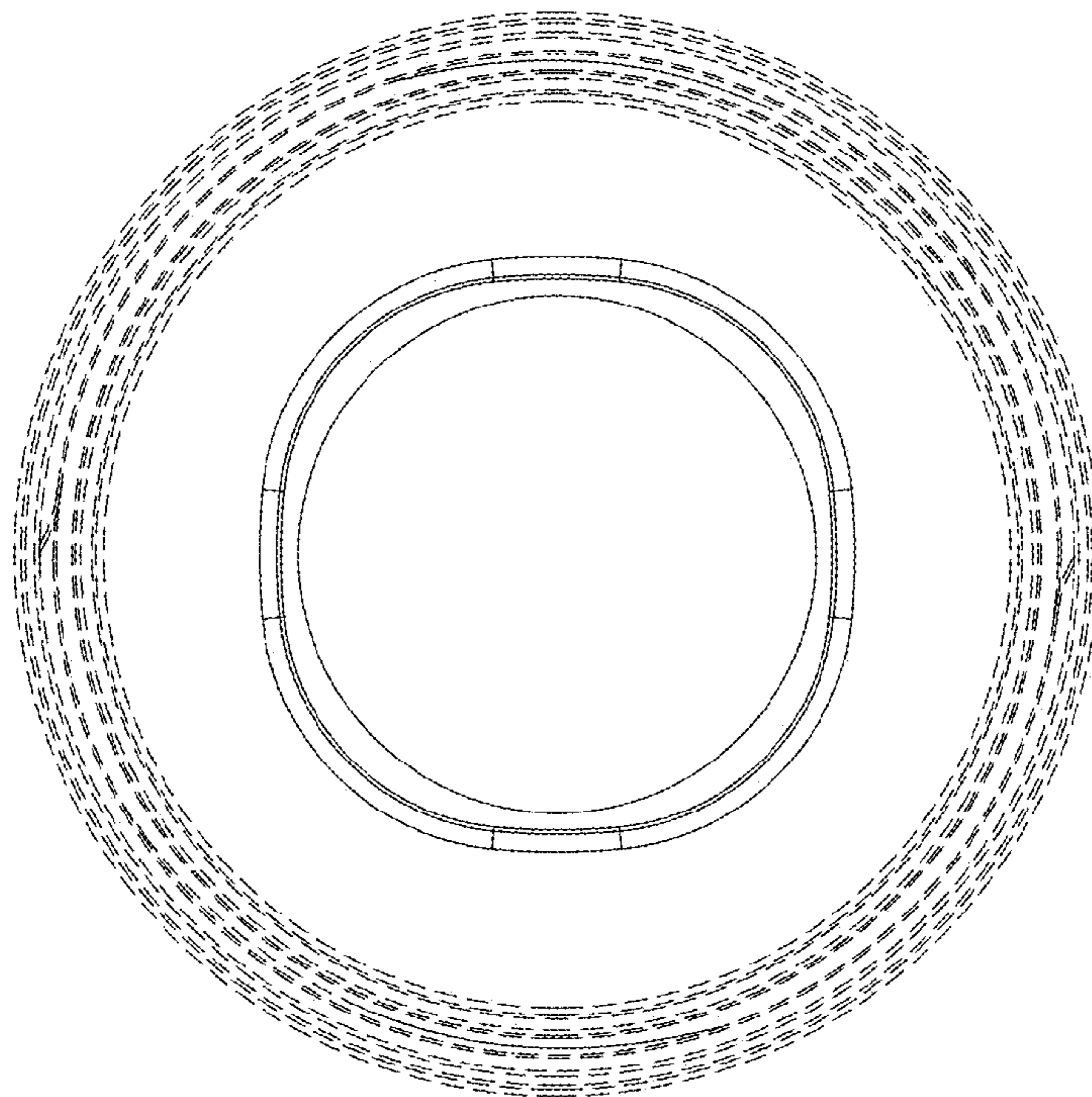


Figure 12

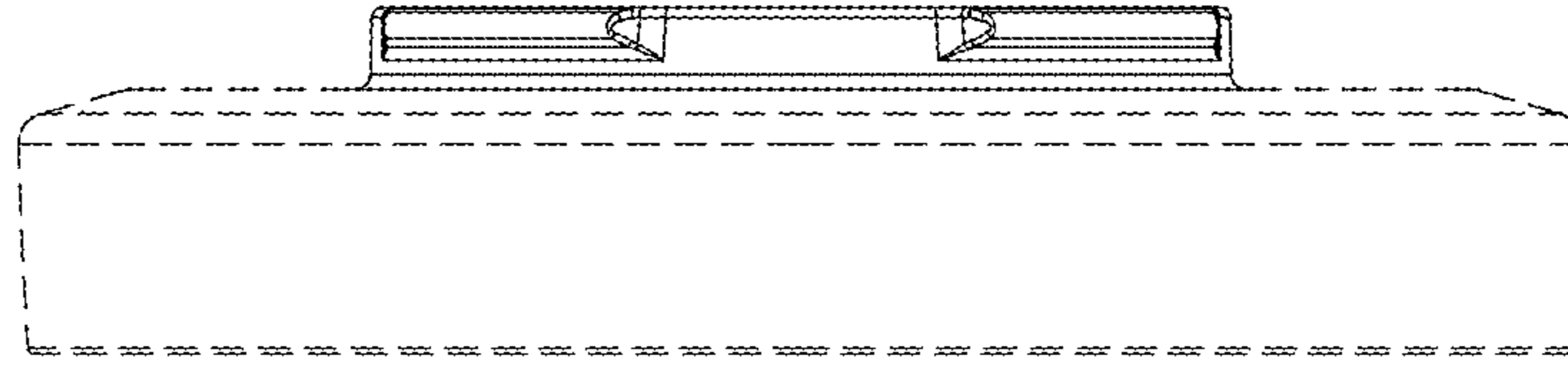


Figure 13

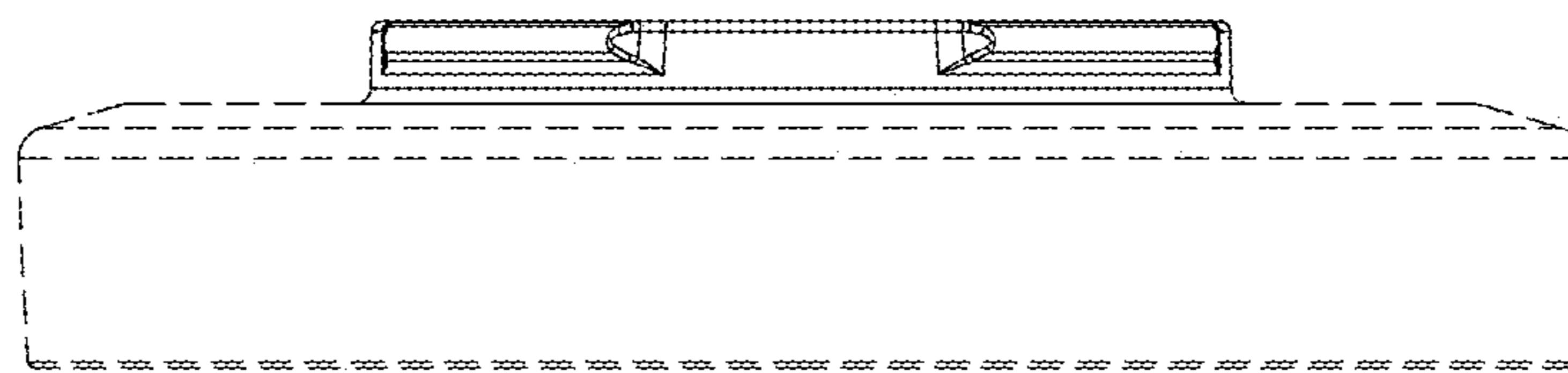


Figure 14

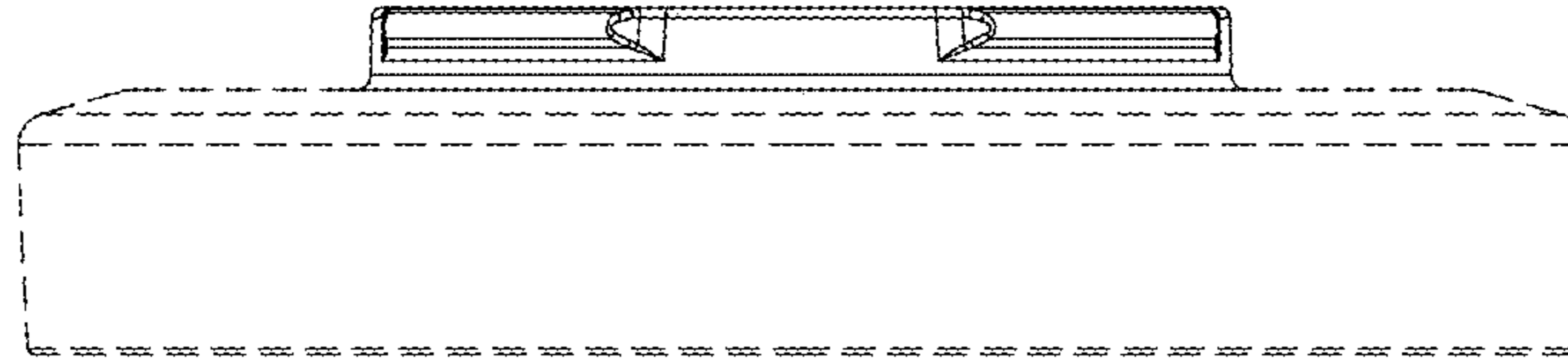


Figure 15

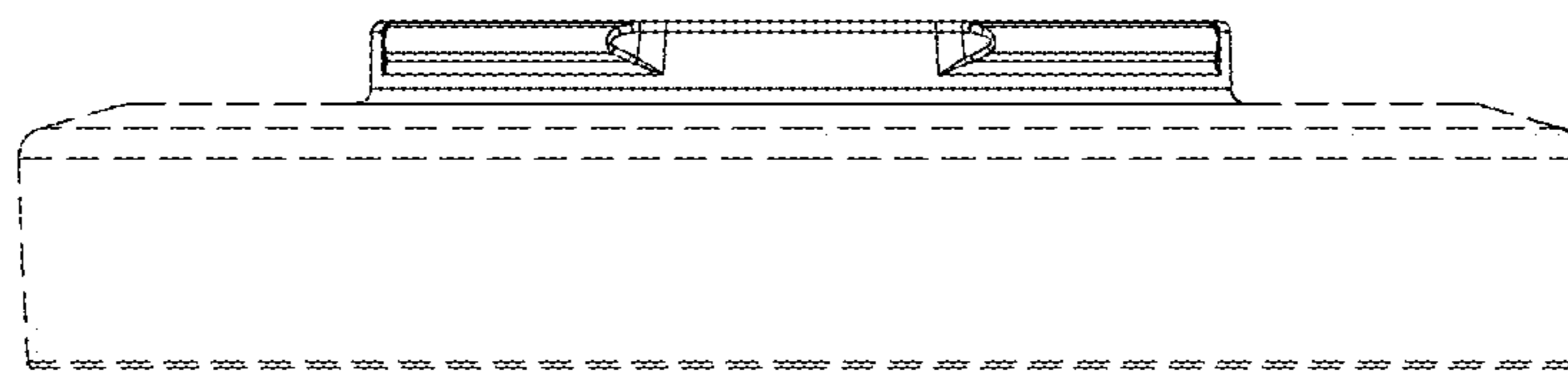


Figure 16