



US00D909125S

(12) **United States Design Patent** (10) **Patent No.:** **US D909,125 S**  
**Souza et al.** (45) **Date of Patent:** **\*\* Feb. 2, 2021**

(54) **FOOD STORAGE CONTAINER LID**

(71) Applicant: **RUBBERMAID INCORPORATED**,  
Huntersville, NC (US)

(72) Inventors: **Marcel A Souza**, Kalamazoo, MI (US);  
**Stephen J. Galucki**, Huntersville, NC  
(US); **Loren Chen**, Kalamazoo, MI  
(US); **Earle L. Cramer**, Portage, MI  
(US)

(73) Assignee: **Rubbermaid Incorporated**,  
Huntersville, NC (US)

(\*\*) Term: **15 Years**

(21) Appl. No.: **29/695,373**

(22) Filed: **Jun. 18, 2019**

(51) **LOC (13) Cl.** ..... **07-02**

(52) **U.S. Cl.**  
USPC ..... **D7/391**

(58) **Field of Classification Search**

USPC ..... D7/391, 392, 392.1, 393, 397, 601–602,  
D7/615, 629–630, 538–542; D9/414,  
D9/424–432, 435, 451–453  
CPC ..... A47J 36/027; A47J 36/06; A47J 37/10;  
A47J 37/101; B65D 21/0209; B65D  
21/0219; B65D 21/0233; B65D 21/022;  
B65D 43/00; B65D 43/02; B65D  
43/0206; B65D 43/0214; B65D 43/0222;  
B65D 43/022; B65D 43/161; B65D  
43/162; B65D 45/00; B65D 45/16; B65D  
45/18; B65D 45/20; B65D 51/16; B65D  
51/1683; B65D 51/1688; B65D 51/1694;  
B65D 2251/00; B65F 1/1615

See application file for complete search history.

(56) **References Cited**

**U.S. PATENT DOCUMENTS**

D256,557 S \* 8/1980 Ikushima ..... D9/425  
D568,693 S \* 5/2008 Furlong ..... D7/629

D568,694 S \* 5/2008 Furlong ..... D7/629  
D586,179 S \* 2/2009 Furlong ..... D7/392.1  
D613,111 S \* 4/2010 Furlong ..... D7/392.1  
7,726,483 B2 \* 6/2010 Ramanujam ..... B65D 21/0233  
206/508  
D646,128 S \* 10/2011 Cetti ..... D7/629  
D703,493 S \* 4/2014 de Ste. Croix ..... D7/629  
D751,335 S \* 3/2016 Shirley ..... D7/391  
9,340,334 B2 \* 5/2016 DeSiena ..... B65D 21/022  
D817,761 S \* 5/2018 Shirley ..... D9/453  
2007/0187277 A1 \* 8/2007 Furlong ..... B65D 43/0222  
206/515  
2010/0176022 A1 \* 7/2010 Furlong ..... B65D 43/0214  
206/508

\* cited by examiner

*Primary Examiner* — Ricky Pham

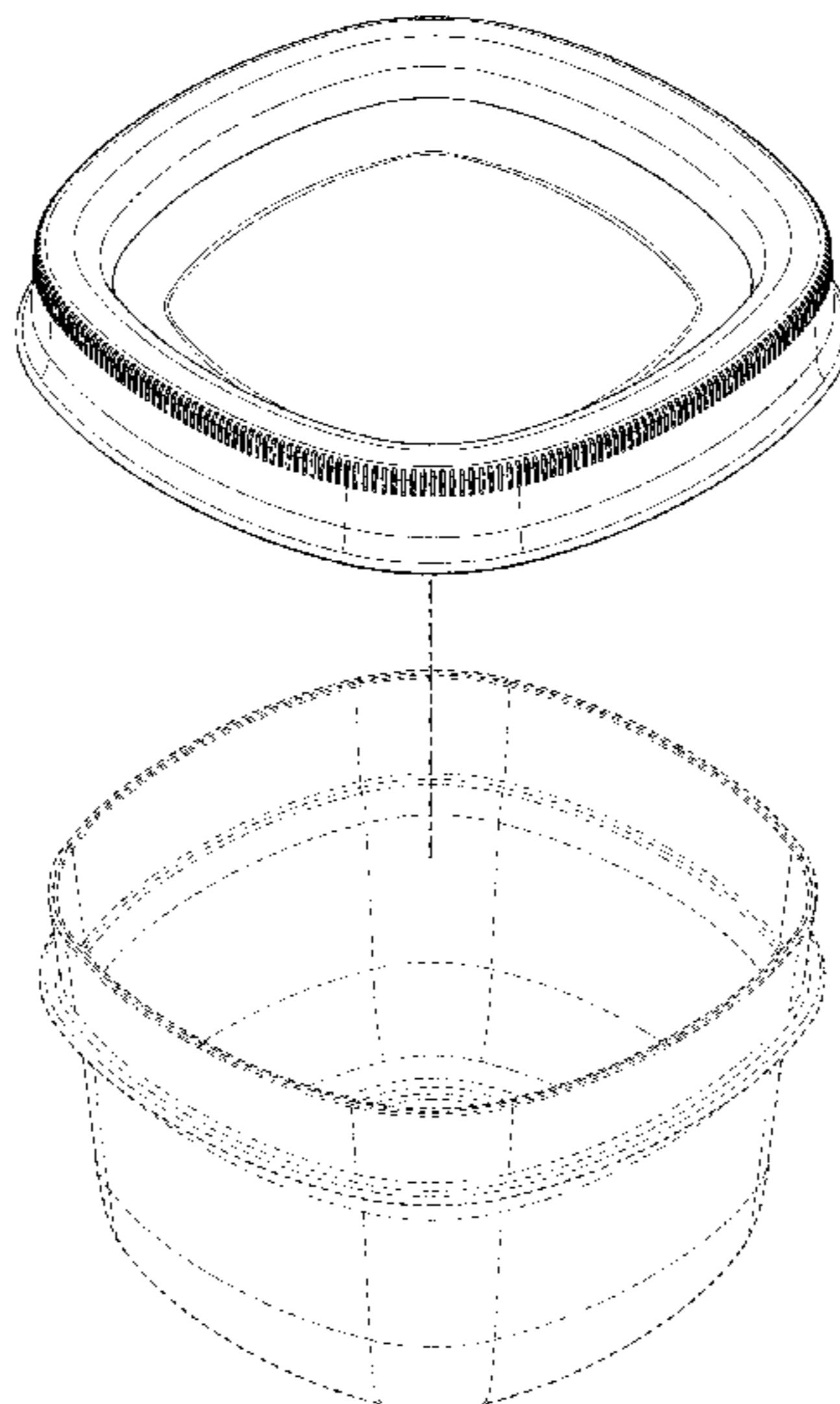
(57) **CLAIM**

The ornamental design for the food storage container lid, as shown and described.

**DESCRIPTION**

FIG. 1 is a front perspective view of the food storage container lid;  
FIG. 2 is a front view thereof;  
FIG. 3 is a rear view thereof;  
FIG. 4 is left side view thereof;  
FIG. 5 is a right side view thereof;  
FIG. 6 is a top view thereof;  
FIG. 7 is a bottom view thereof;  
FIG. 8 is a front perspective exploded view illustrating the food storage container lid as it fits on a food storage container base; and,  
FIG. 9 is a front perspective exploded view illustrating the food storage container lid as it fits on a second food storage container base.  
The broken lines depict portions of the food storage container lid that form no part of the claimed design.

**1 Claim, 9 Drawing Sheets**



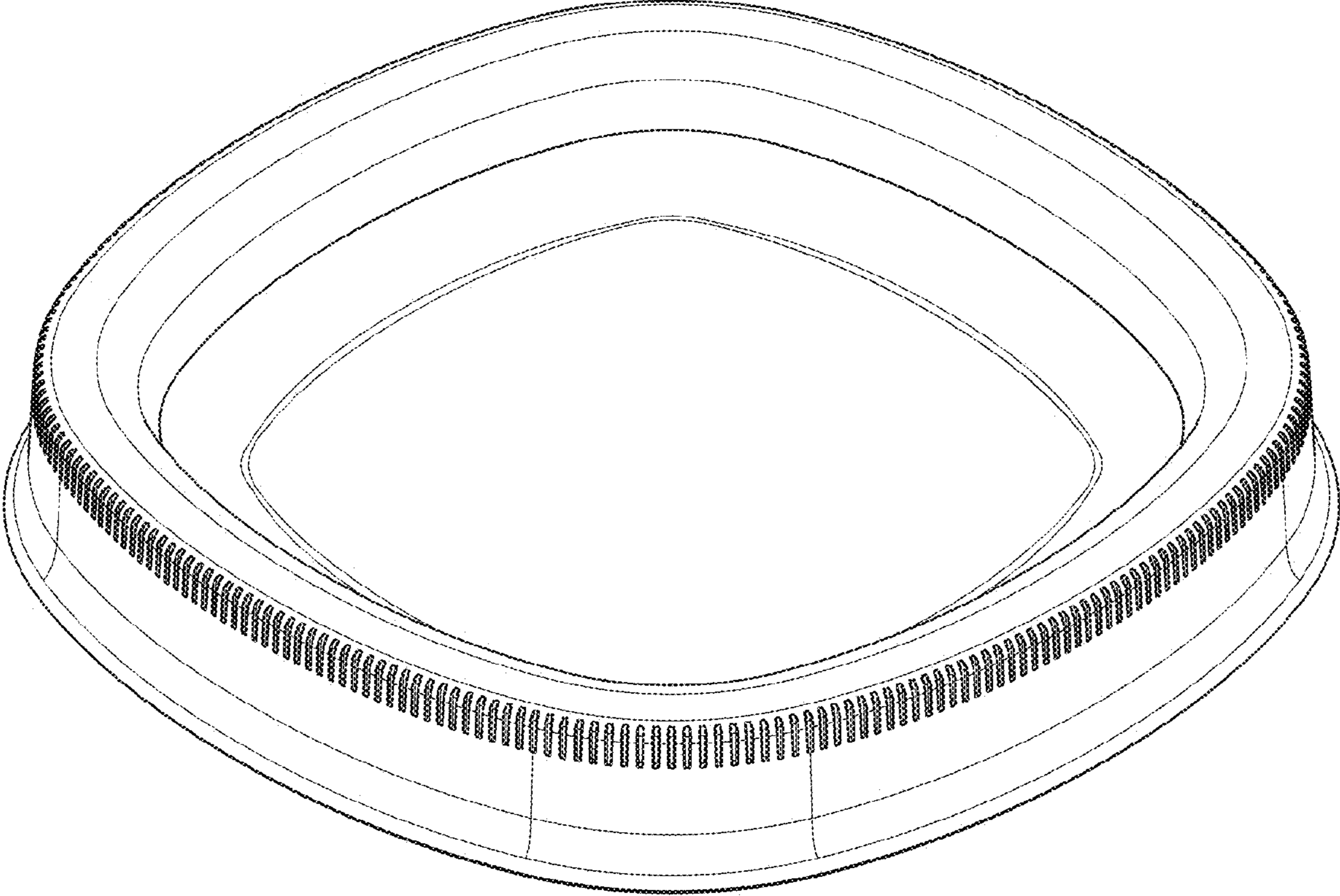


FIG. 1

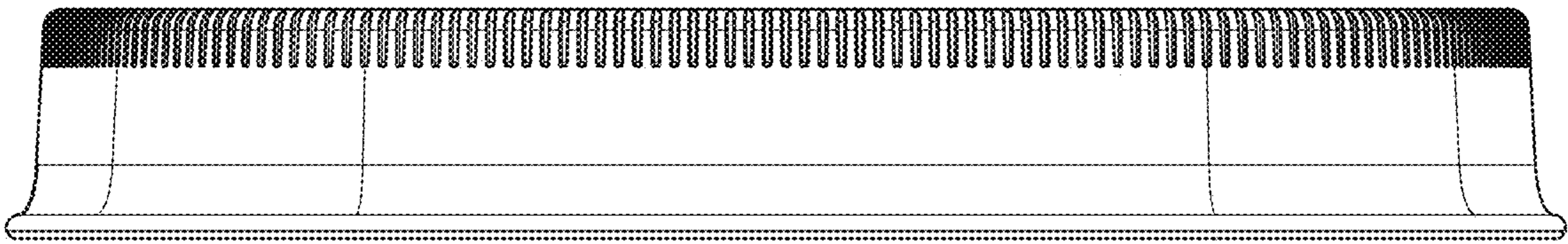


FIG. 2

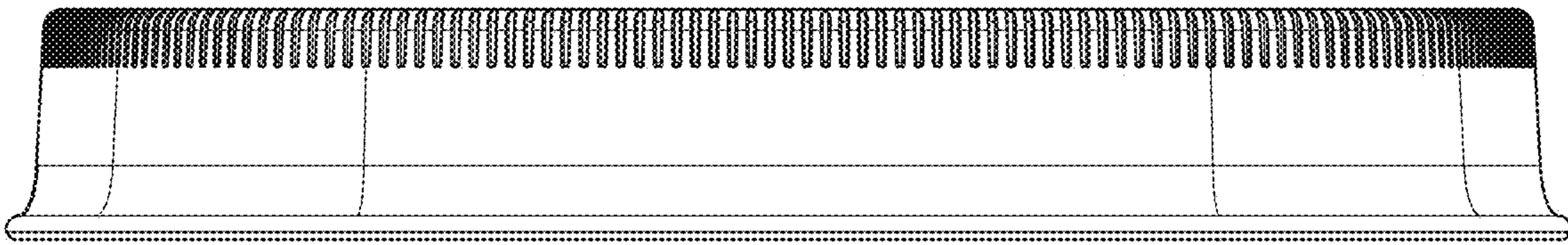


FIG. 3

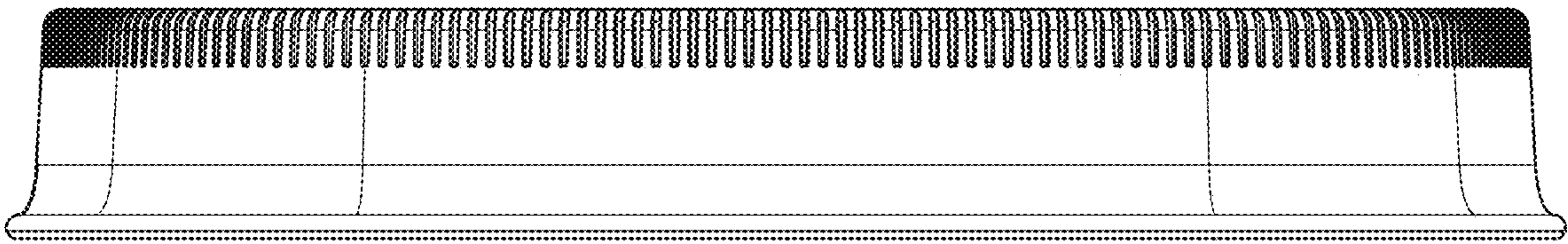


FIG. 4

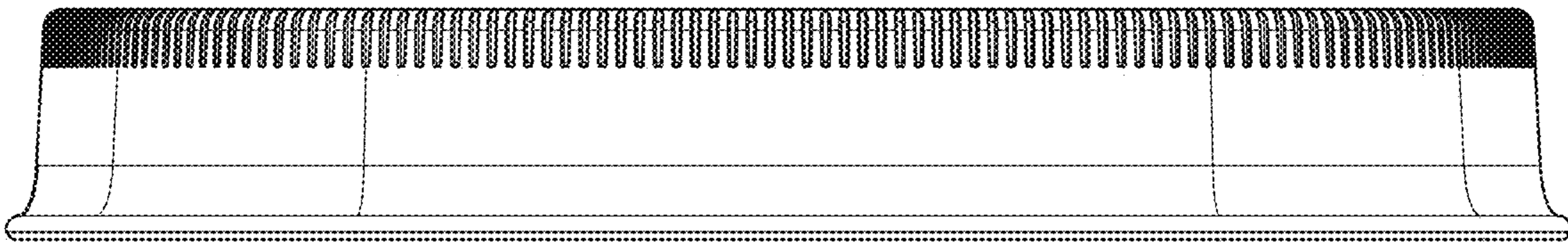


FIG. 5

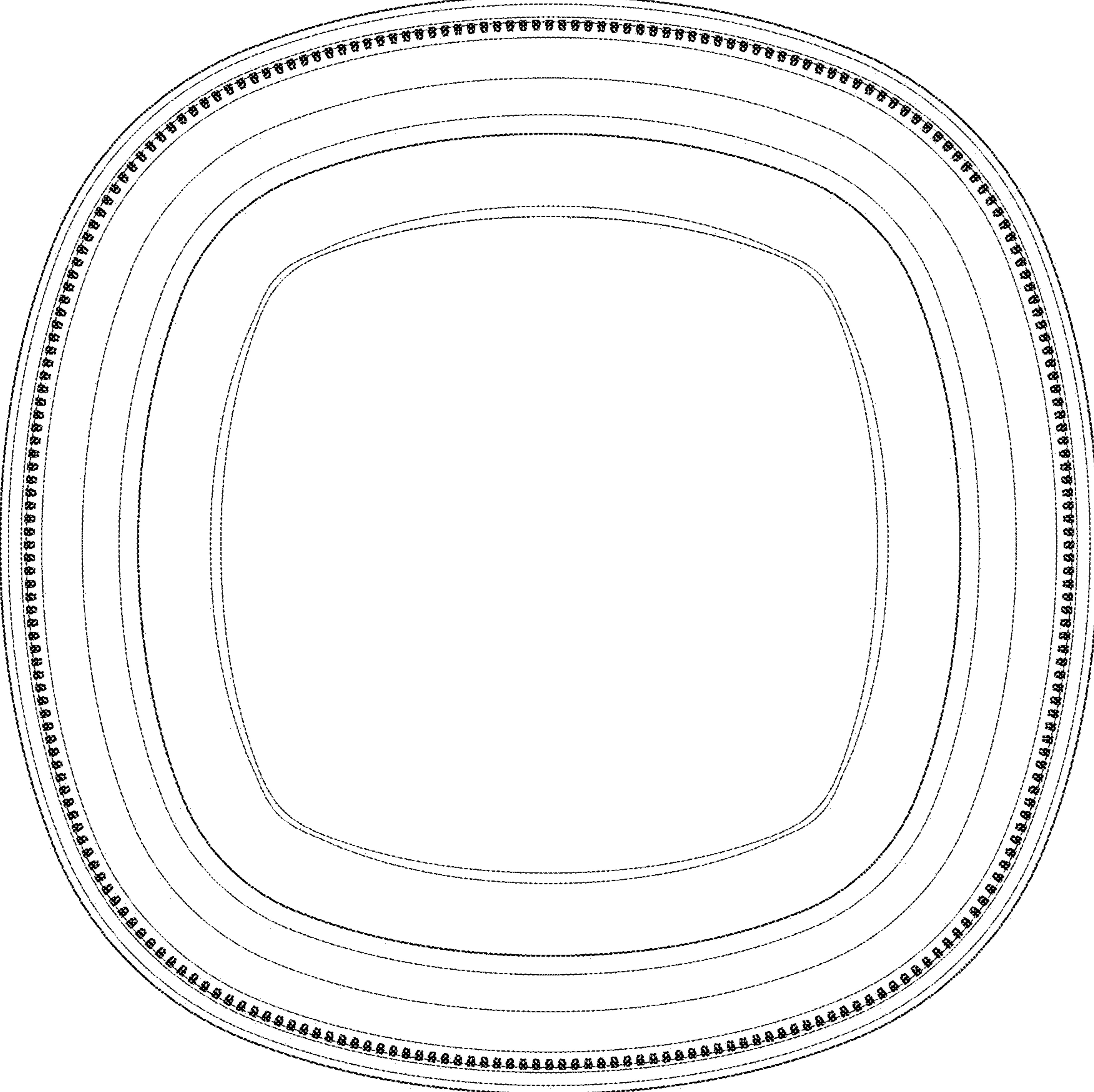


FIG. 6

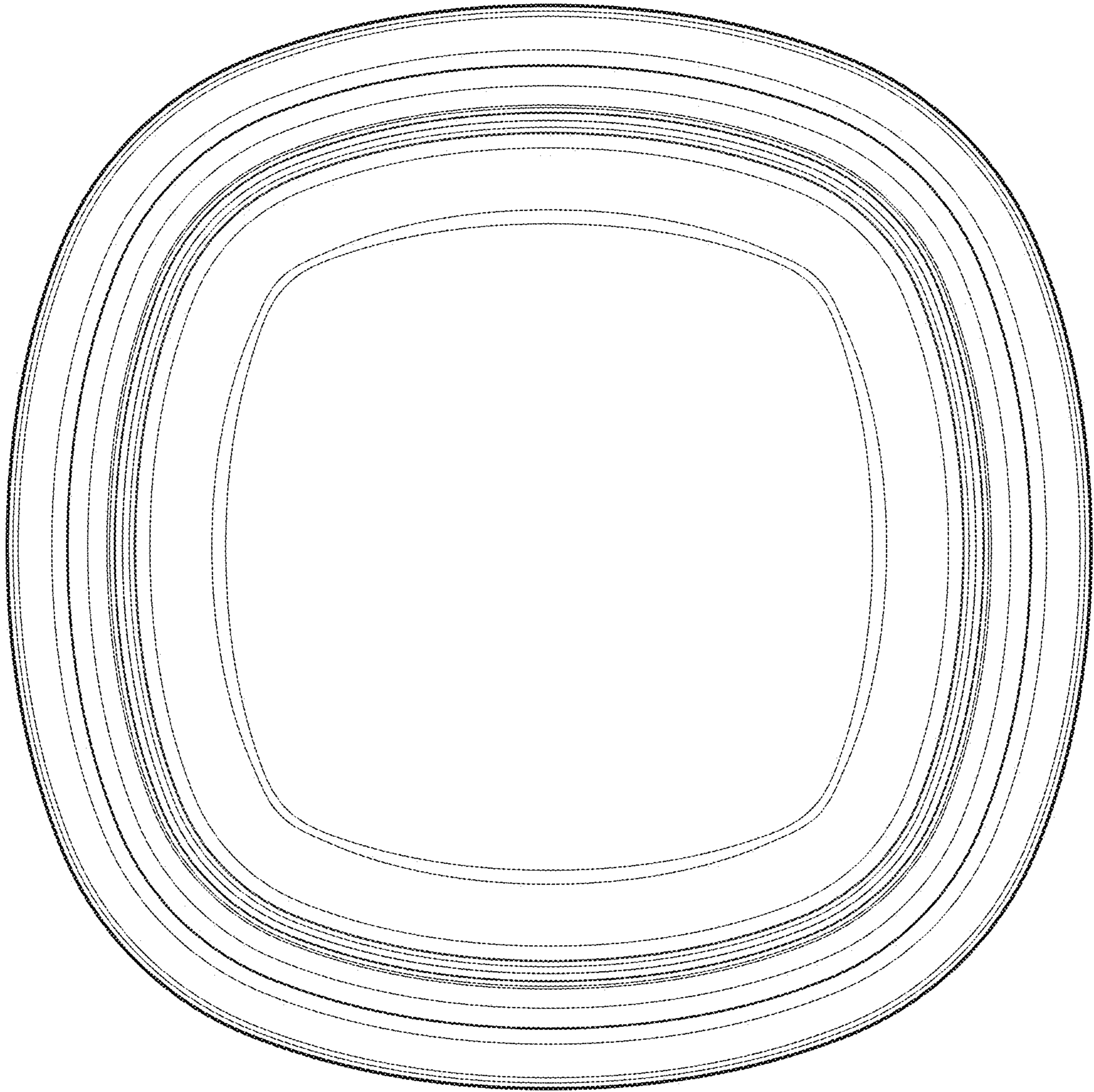


FIG. 7



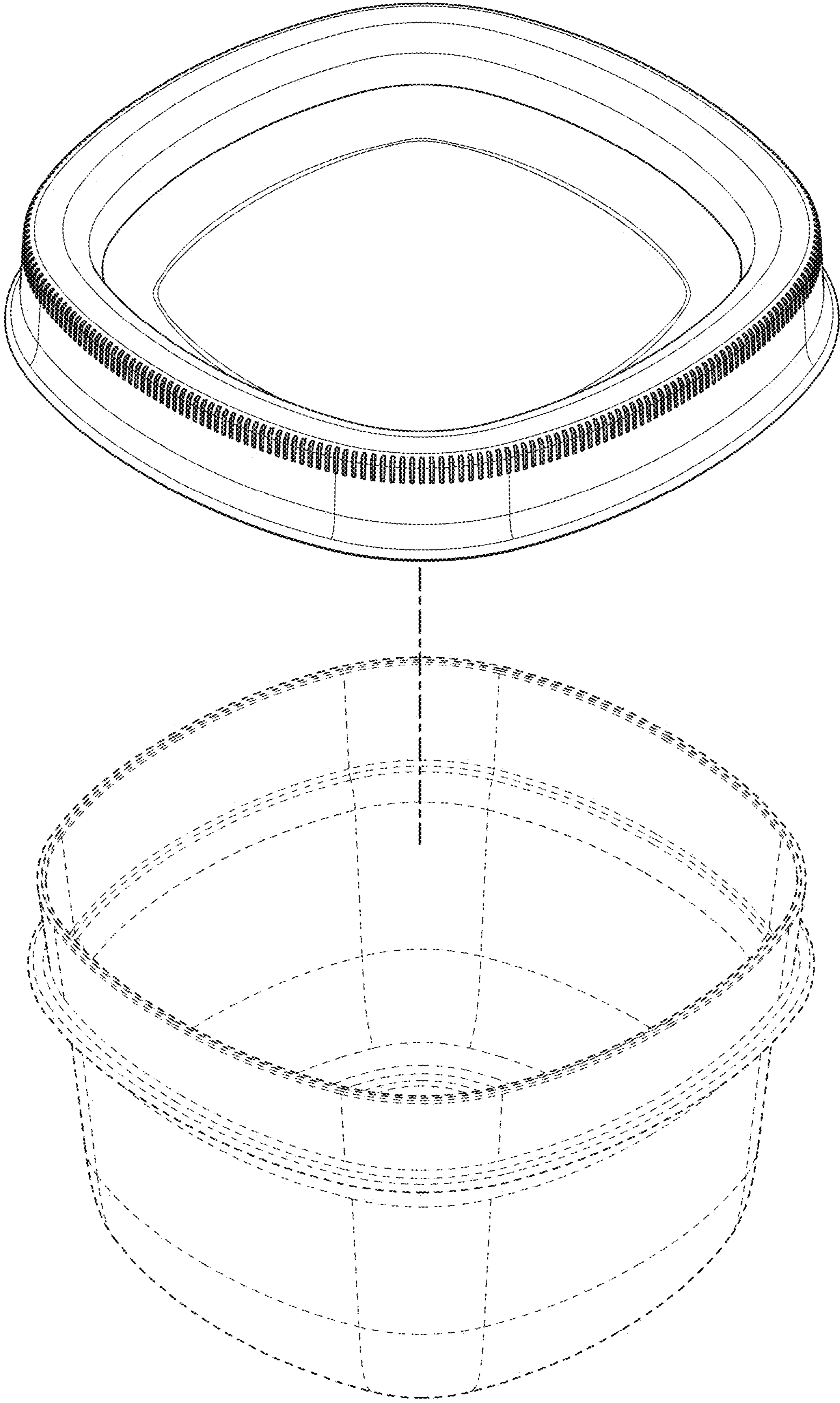


FIG. 8

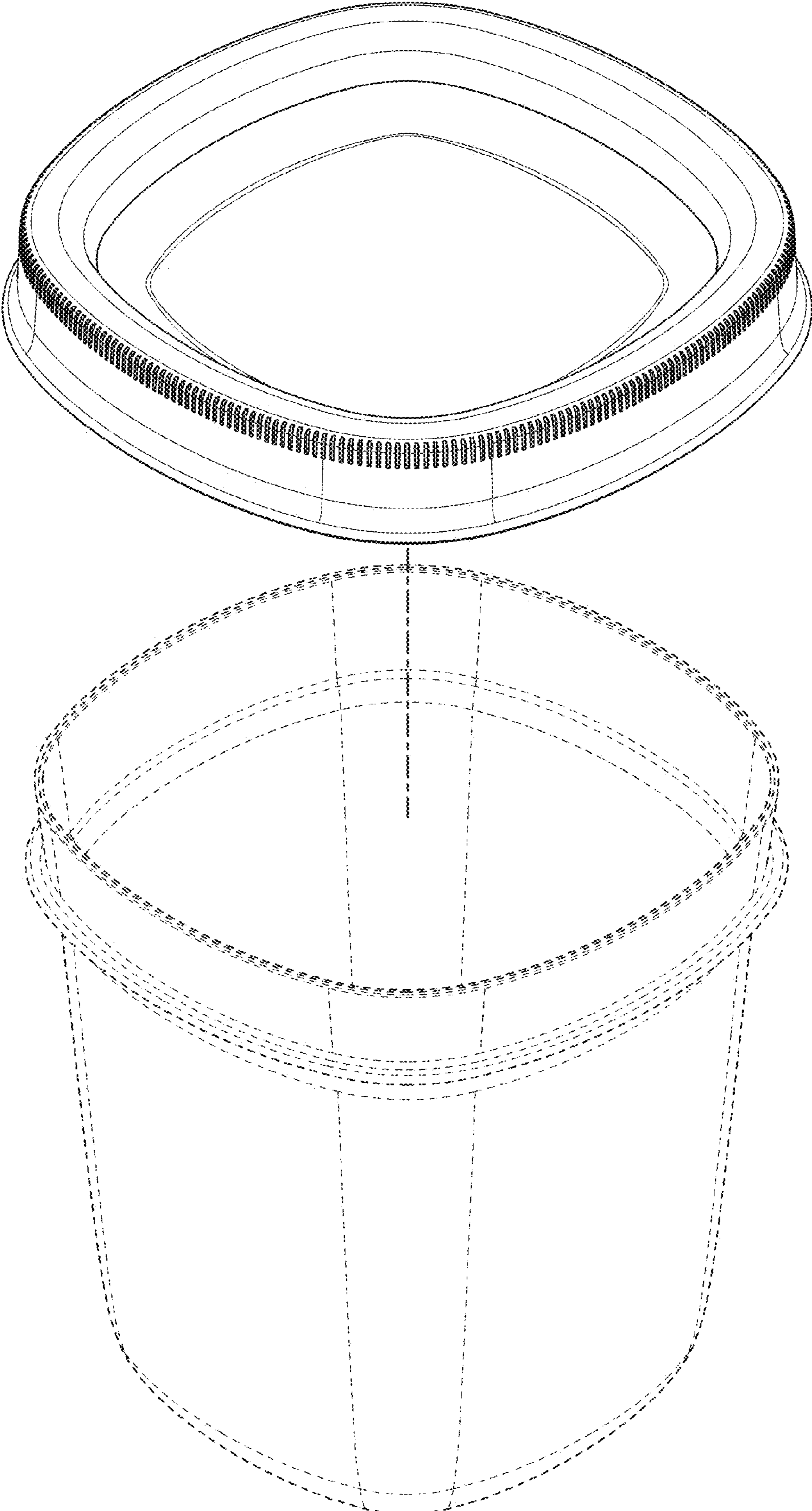


FIG. 9