



US00D909123S

(12) **United States Design Patent** (10) **Patent No.:** **US D909,123 S**
Bourgeois (45) **Date of Patent:** **** Feb. 2, 2021**

(54) **FOOD PROCESSING APPLIANCE**
(71) Applicant: **Conair Corporation**, Stamford, CT (US)
(72) Inventor: **Sophie Bourgeois**, Liege (BE)
(73) Assignee: **Conair Corporation**, Stamford, CT (US)
(**) Term: **15 Years**

D587,064 S 2/2009 Mark
D611,760 S * 3/2010 Ball D7/378
D619,850 S 7/2010 Krasznai
D625,141 S * 10/2010 Moore D7/378
D625,143 S * 10/2010 Moore D7/384
D642,860 S * 8/2011 Tse D7/384
D644,480 S 9/2011 Czach et al.
D645,301 S * 9/2011 Tse D7/378
8,677,895 B2 * 3/2014 Beber A47J 43/0711
99/537
8,733,239 B2 5/2014 Allen
8,814,072 B2 8/2014 Gushwa
9,049,965 B2 6/2015 Beber et al.

(Continued)

(21) Appl. No.: **29/703,544**

(22) Filed: **Aug. 28, 2019**

(51) **LOC (13) Cl.** **31-00**

(52) **U.S. Cl.**
USPC **D7/384**; D7/376; D7/378

(58) **Field of Classification Search**
USPC D7/372, 376-386, 412-413, 602, 629,
D7/665-666, 669, 679, 693-694
CPC A21C 1/02; A21C 1/04; A23N 1/00; A23N
1/02; A47J 43/04; A47J 43/25; A47J
43/27; A47J 43/042; A47J 43/044; A47J
43/046; A47J 43/075; A47J 43/0711;
A47J 43/0722; A47J 43/0727; B01F 3/00;
B01F 3/0807; B01F 3/0853; B01F
13/0059; B01F 13/0064; B02C 1/08;
B02C 2/04; B02C 4/42; B02C 4/142;
B02C 4/143; B02C 4/423; B02C 13/1835;
B28C 5/10; B28C 5/12; B28C 5/14;
B28C 5/16

See application file for complete search history.

(56) **References Cited**

U.S. PATENT DOCUMENTS

D256,087 S * 7/1980 Minami D7/384
6,089,746 A 7/2000 Martin
D450,978 S * 11/2001 Smith D7/378
D451,756 S * 12/2001 Deros D7/378

FOREIGN PATENT DOCUMENTS

EP 3320817 A1 5/2018
WO 2017098235 A1 6/2017

(Continued)

Primary Examiner — Ricky Pham

(74) *Attorney, Agent, or Firm* — McCormick, Paulding & Huber PLLC

(57) **CLAIM**

The ornamental design for a food processing appliance, substantially as shown and described.

DESCRIPTION

FIG. 1 is a front, right side and top perspective view of a food processing appliance comprising a new, original and ornamental design;

FIG. 2 is a front view thereof;

FIG. 3 is a rear view thereof;

FIG. 4 is a left side view thereof;

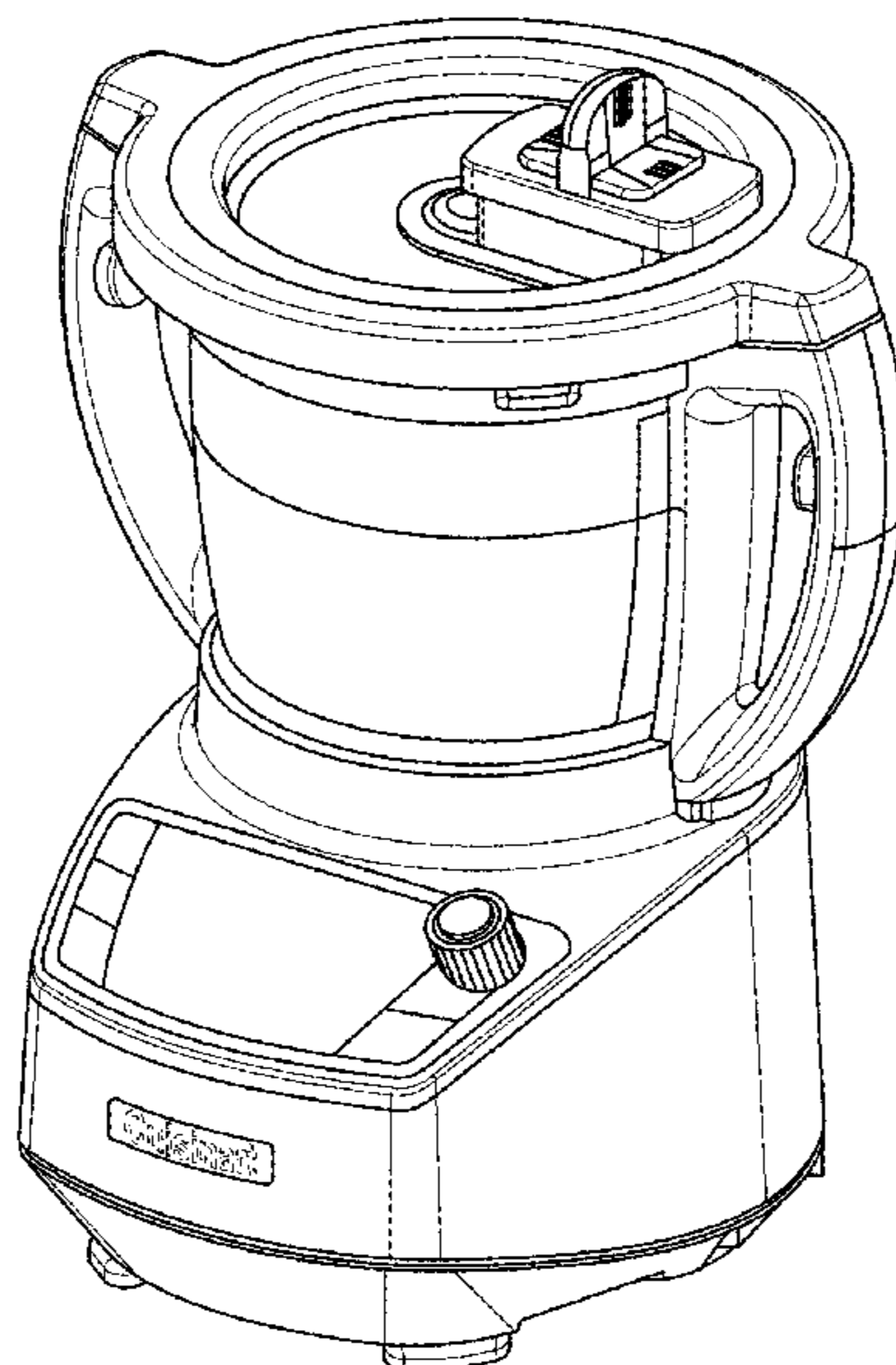
FIG. 5 is a right side view thereof;

FIG. 6 is a top view thereof; and,

FIG. 7 is a bottom view thereof.

The broken lines shown in the drawings are for illustrative purposes only and form no part of the claimed design.

1 Claim, 7 Drawing Sheets



(56)

References Cited

U.S. PATENT DOCUMENTS

9,386,884 B2 7/2016 Armstrong et al.
D788,521 S * 6/2017 Blaise D7/378
D796,896 S * 9/2017 Blaise D7/384
D799,891 S * 10/2017 Lecoutre D7/378
D812,416 S 3/2018 Carlson
9,968,222 B2 5/2018 Audette et al.
10,092,138 B2 10/2018 Gushwa et al.
D847,558 S * 5/2019 Hoff D7/384
2009/0308265 A1 12/2009 Obersteiner

FOREIGN PATENT DOCUMENTS

WO 2018028538 A1 2/2018
WO 2018045850 A1 3/2018
WO 2018113418 A1 6/2018
WO 2018201653 A1 11/2018

* cited by examiner

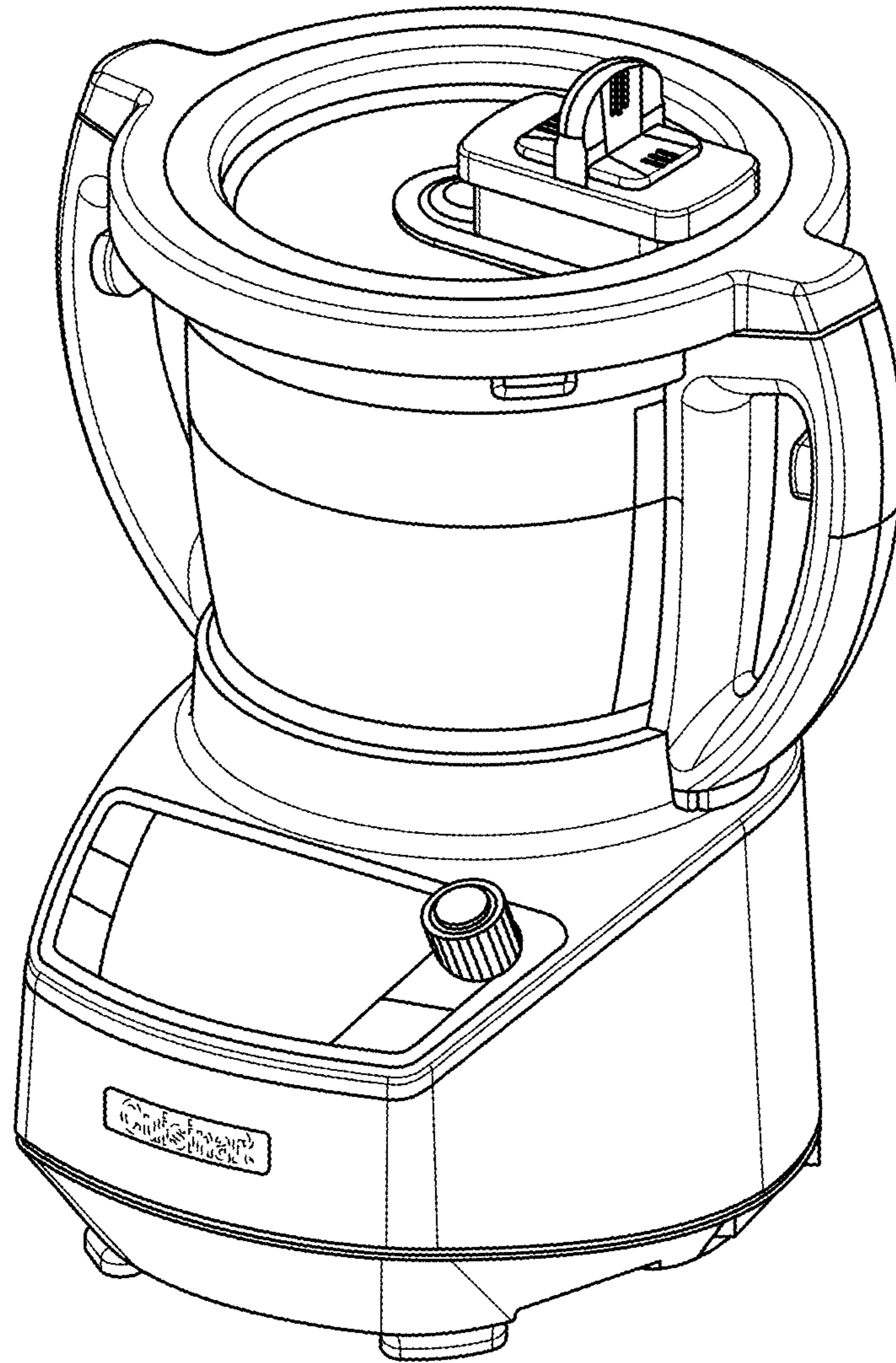


FIG. 1

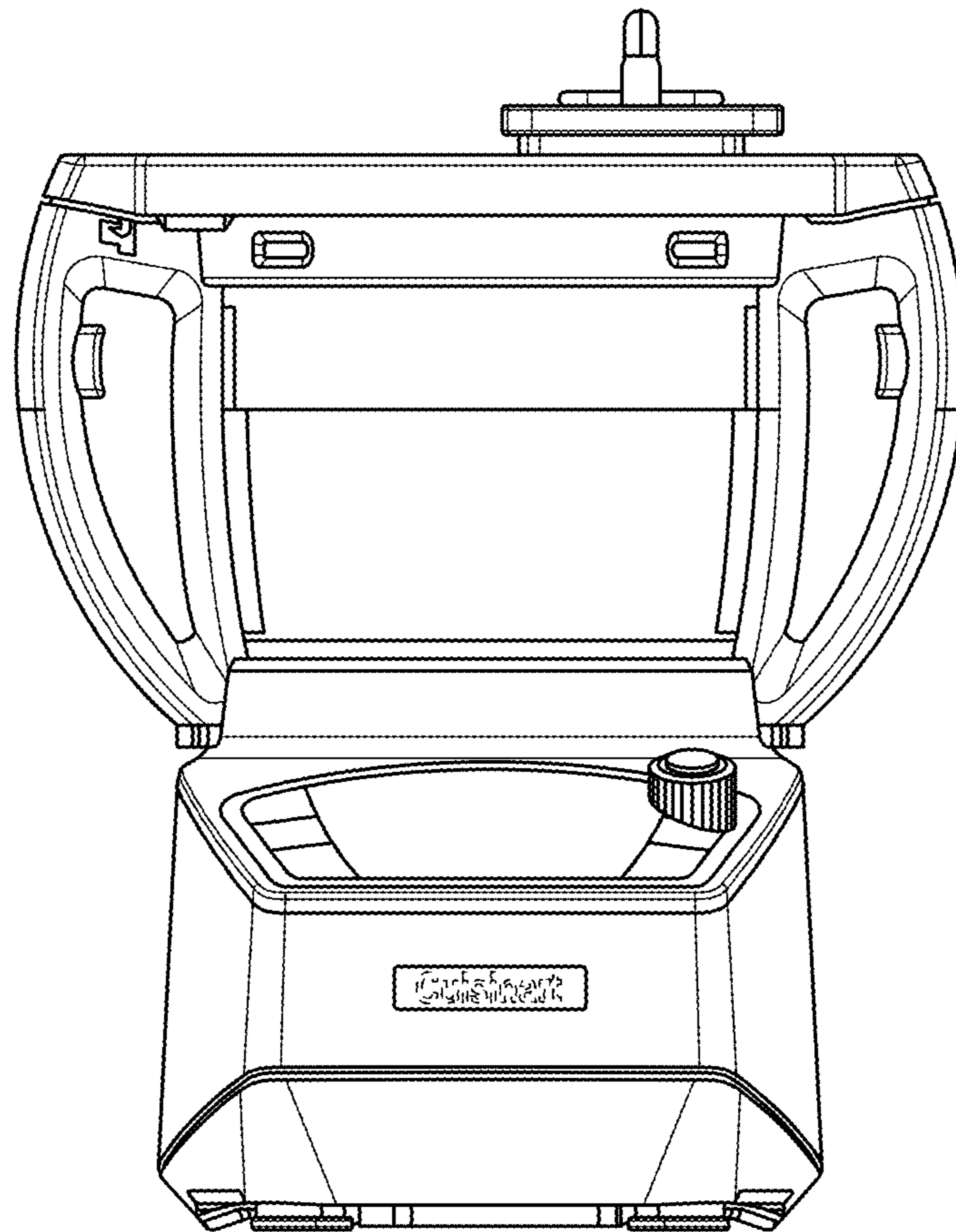


FIG. 2

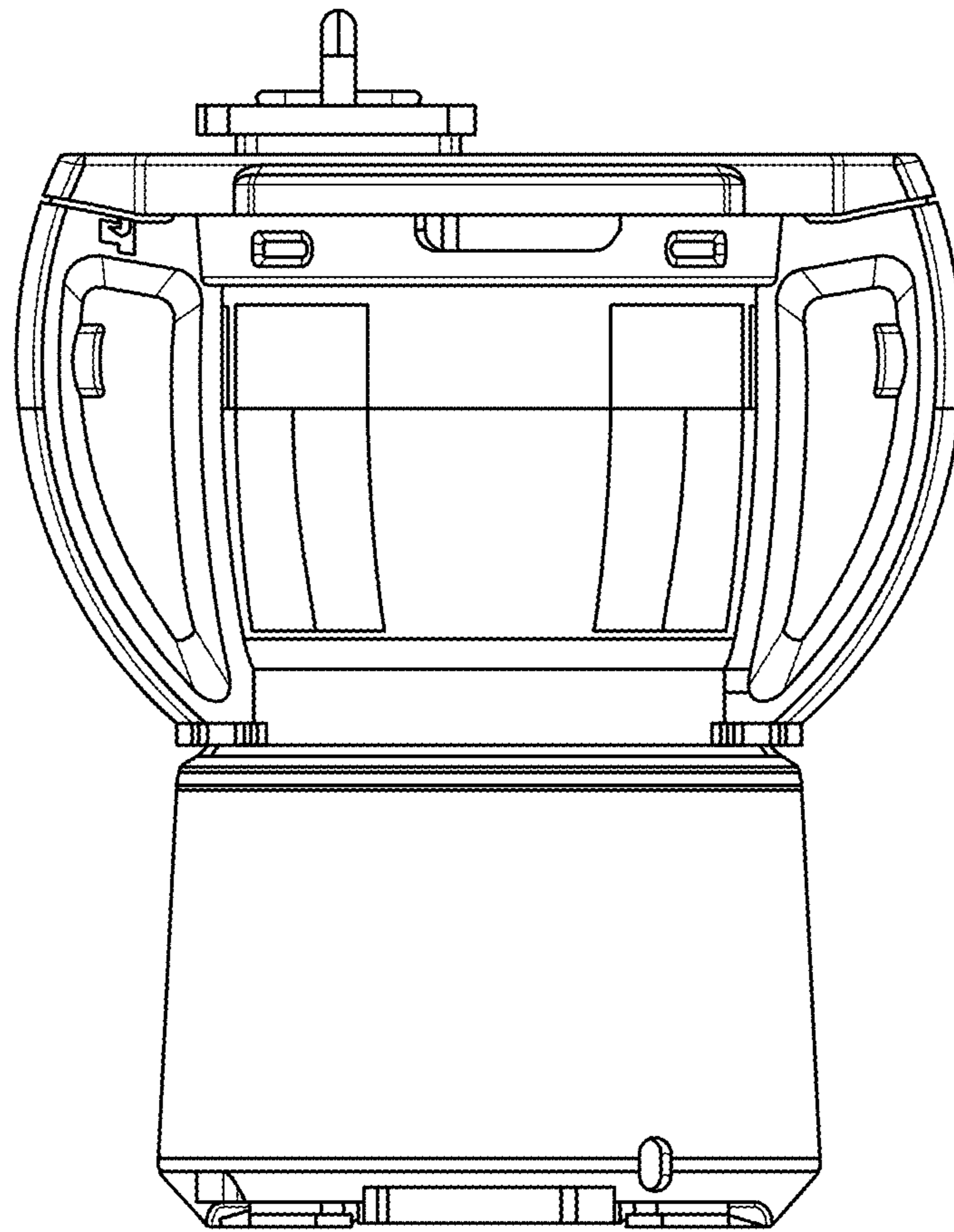


FIG. 3

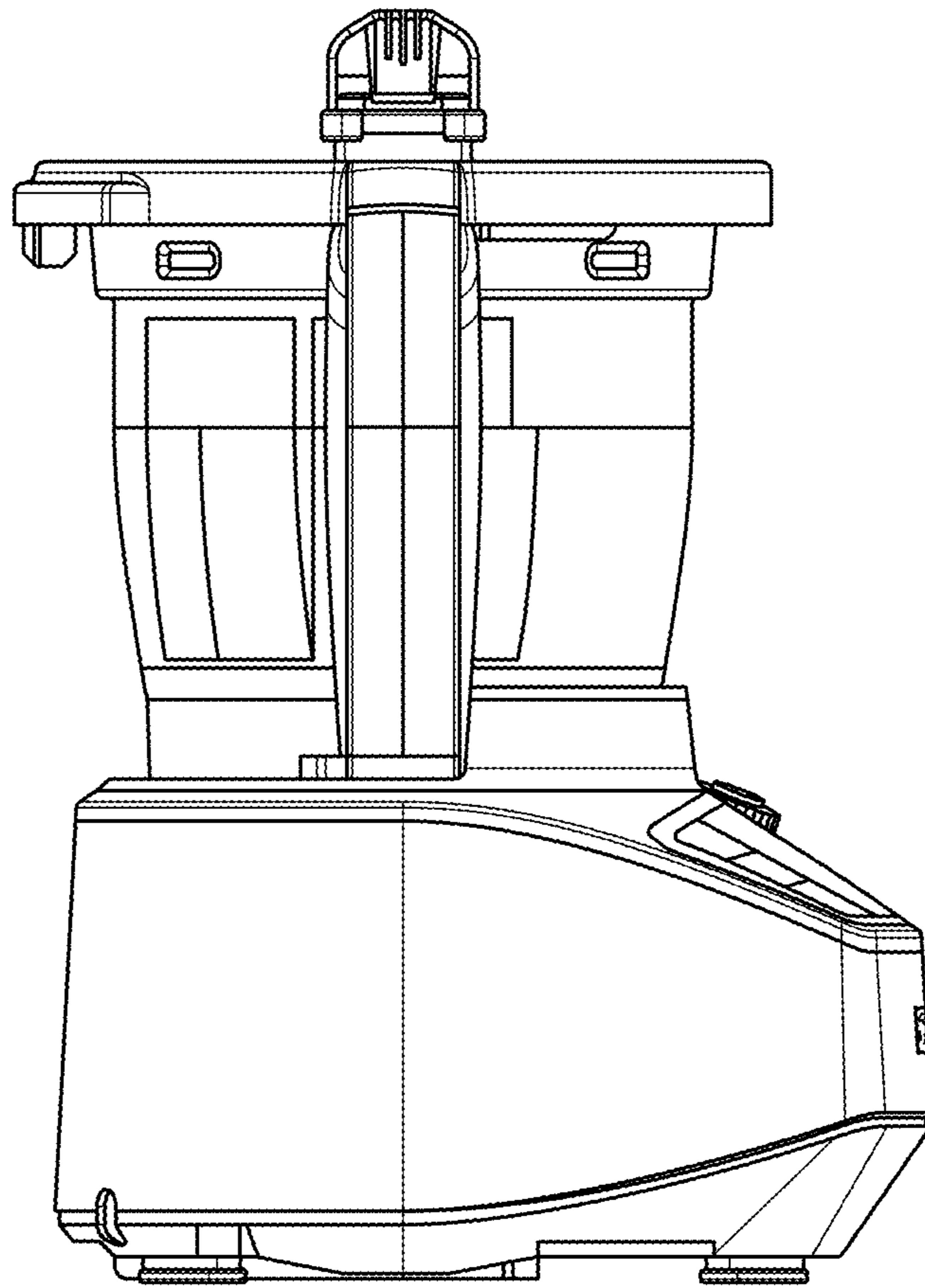


FIG. 4

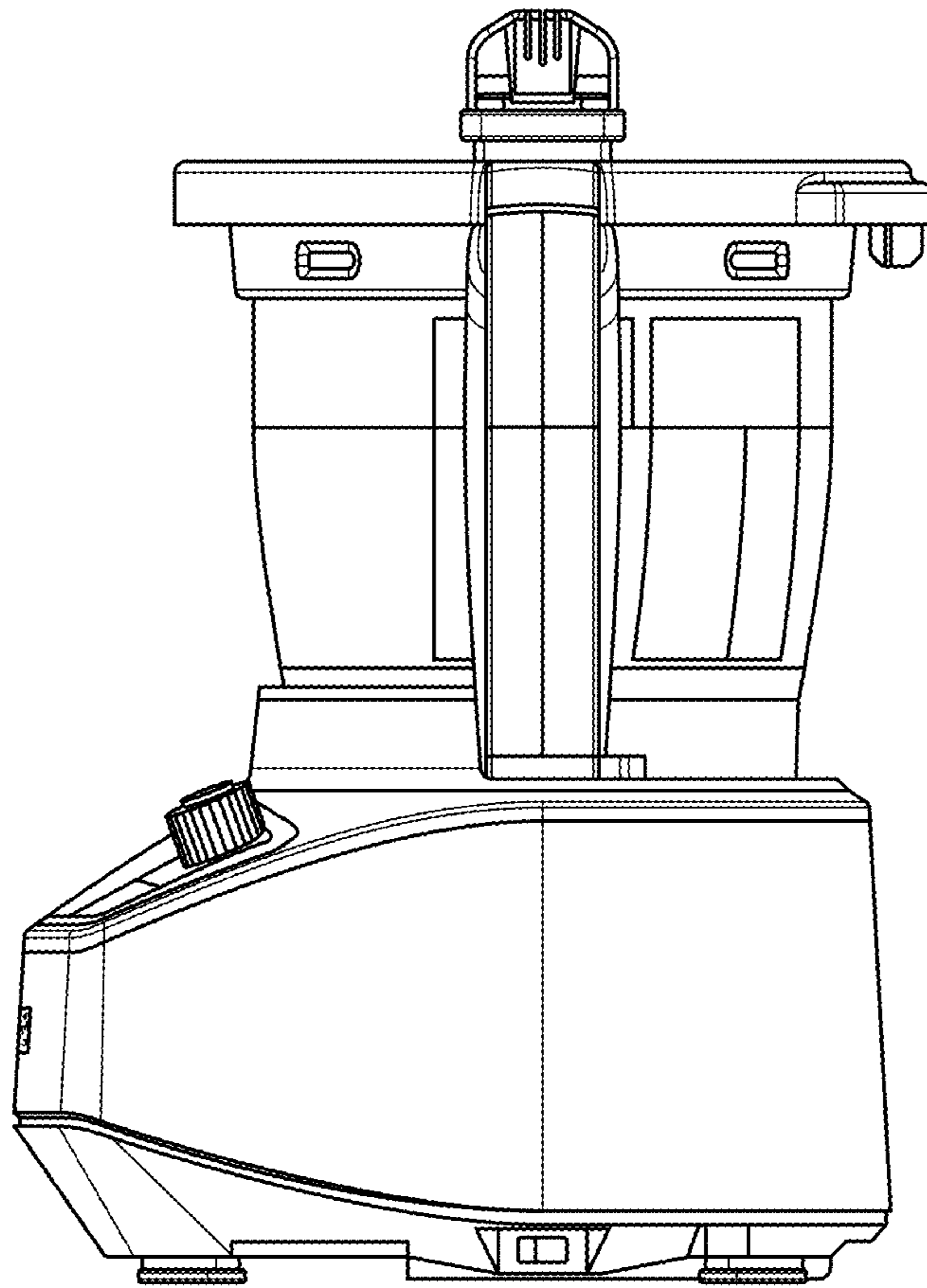


FIG. 5

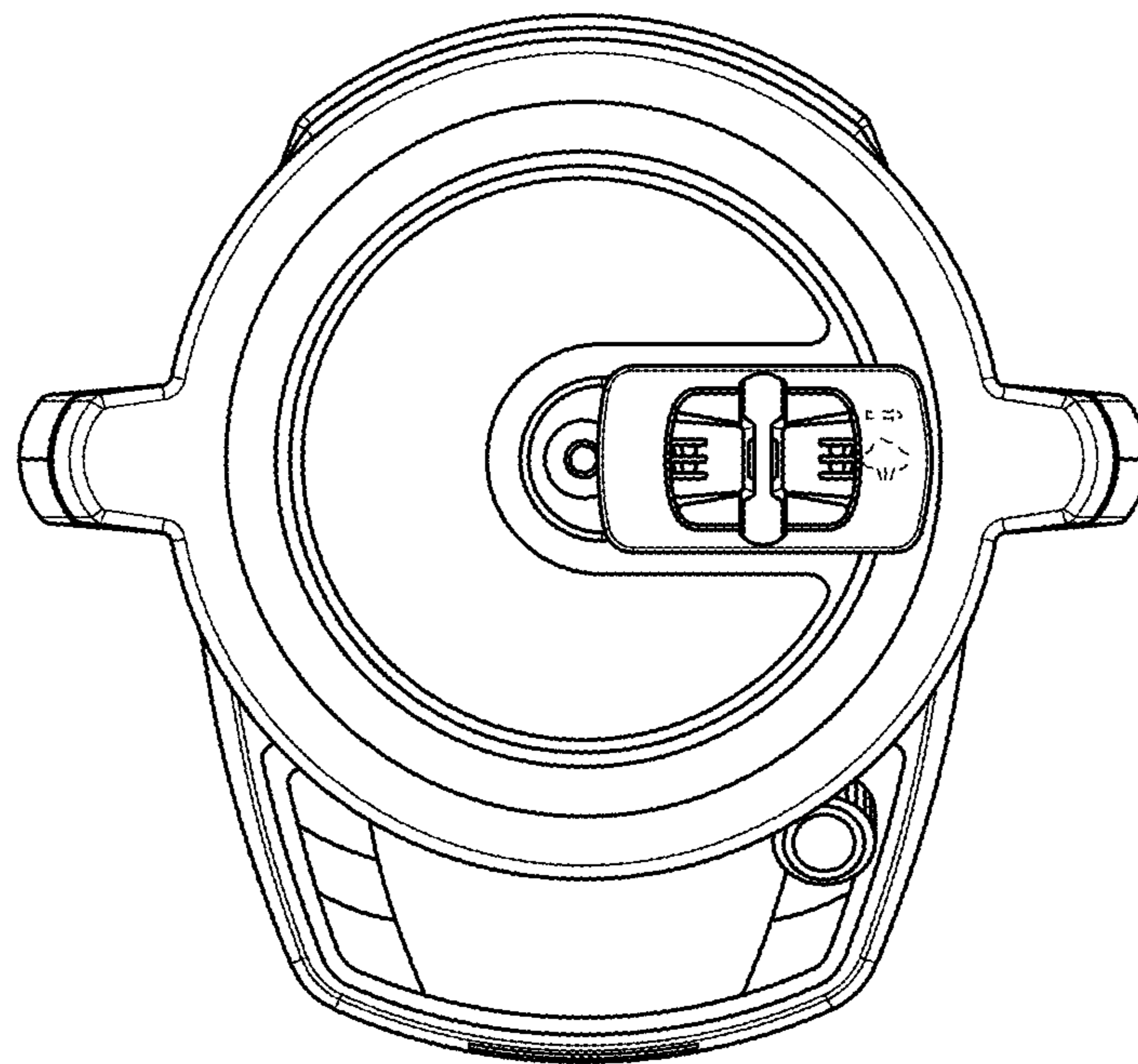


FIG. 6

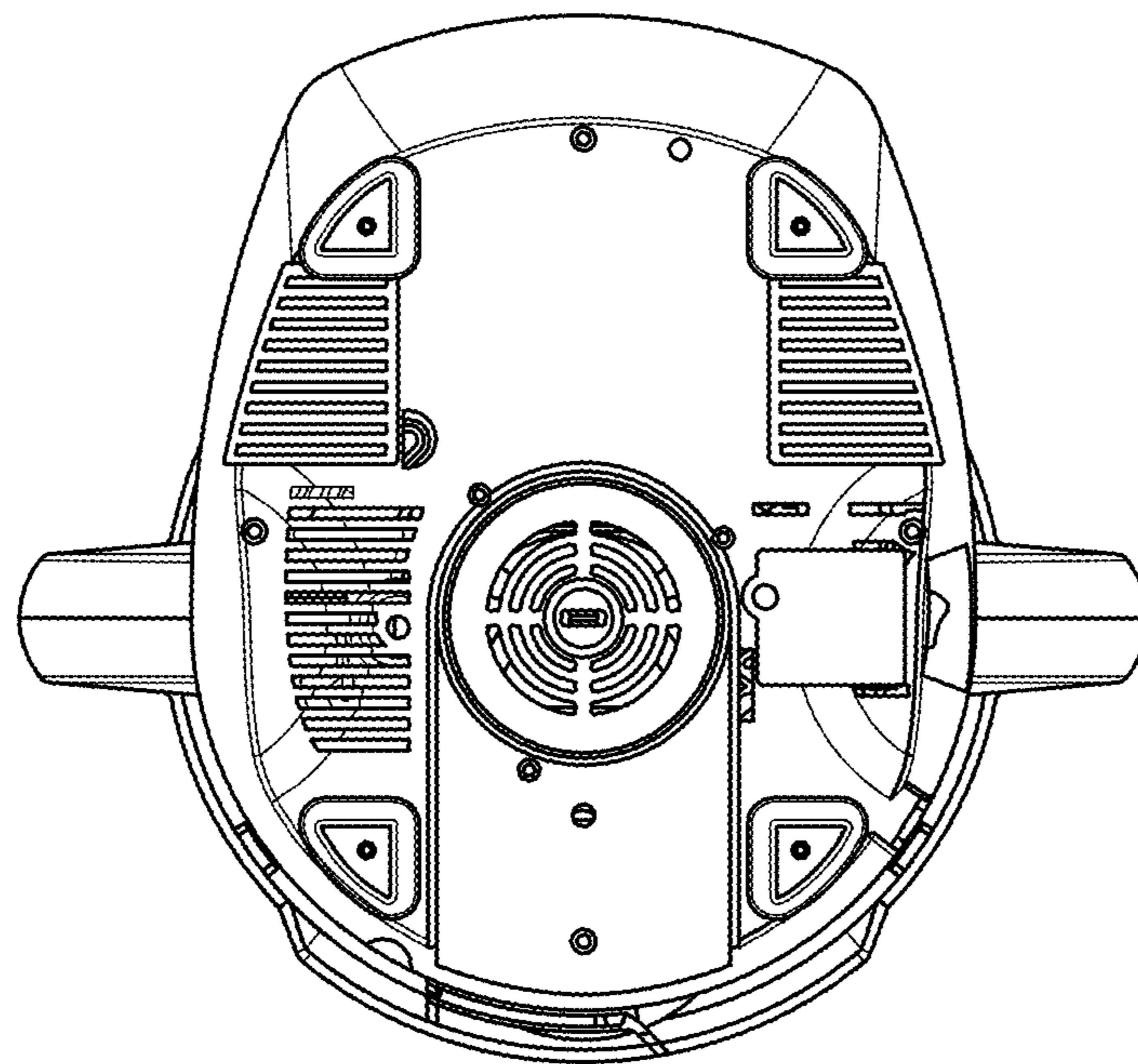


FIG. 7