



US00D909120S

(12) **United States Design Patent** (10) **Patent No.:** **US D909,120 S**  
**Marzaro** (45) **Date of Patent:** **\*\* Feb. 2, 2021**

(54) **MEAT CUTTING MACHINE**

(71) Applicant: **SIRMAN S.P.A.**, Campo San Martino (IT)

(72) Inventor: **Luca Marzaro**, Campo San Martino (IT)

(73) Assignee: **SIRMAN S.P.A.**, Campo San Martino (IT)

(\*\*) Term: **15 Years**

(21) Appl. No.: **29/694,159**

(22) Filed: **Jun. 7, 2019**

**Related U.S. Application Data**

(62) Division of application No. 35/505,079, filed on Jan. 5, 2018 (U.S. filing date under 35 U.S.C. 384), and having an international filing date of Jan. 5, 2018, now Pat. No. Des. 883,732.

**Foreign Application Priority Data**

Jul. 13, 2017 (IT) ..... 402017000078504

(51) **LOC (13) Cl.** ..... **31-00**

(52) **U.S. Cl.**  
USPC ..... **D7/381**

(58) **Field of Classification Search**  
USPC ..... D7/372, 368, 376-386, 412, 665-666, D7/669, 678-679, 693-694  
CPC ..... A01F 2015/07; A01F 2015/077; A01F 2015/0775; A23N 1/00; A23N 1/02; A47J 19/00; A47J 19/005; A47J 19/02; A47J 19/04; A47J 19/06; A47J 42/32; A47J 42/34; A47J 42/36; A47J 43/044; A47J 43/25; A47J 43/255; B01F 7/26; B01F 7/28; B01F 11/0082; B01F 13/04; B01F 15/00389; B02C 13/00; B02C 13/02; B02C 13/10; B02C 18/06; B02C 18/26;

B02C 18/30; B02C 18/302; B02C 18/304; B02C 18/305; B02C 25/00; B02C 2002/00; B02C 2013/00; B02C 2013/14; B02C 2013/145; B02C 2013/18; B02C 2013/1807; B02C 2013/1857; B02C 2013/1864; B30B 9/00; B30B 9/16; B30B 9/18; B30B 9/20; B30B 9/26; B30B 9/205; B30B 9/207

See application file for complete search history.

(56) **References Cited**

U.S. PATENT DOCUMENTS

3,224,743	A *	12/1965	Freedman	.....	A47J 43/044
					366/200
D226,124	S *	1/1973	Roberts	.....	D7/379
D294,448	S *	3/1988	Otto	.....	D7/368
D319,370	S *	8/1991	Otto	.....	D7/372
D319,754	S *	9/1991	Maass	.....	D7/379
D321,812	S *	11/1991	Maass	.....	D7/368
D327,391	S *	6/1992	Maass	.....	D7/376
D328,998	S *	9/1992	Maass	.....	D7/376
D426,422	S *	6/2000	Otto	.....	D7/376
D630,041	S *	1/2011	Cai	.....	D7/376
D707,079	S *	6/2014	Blaise	.....	D7/376
D828,092	S *	9/2018	Dietz	.....	D7/412

(Continued)

*Primary Examiner* — Ricky Pham

(74) *Attorney, Agent, or Firm* — Banner & Witcoff, Ltd.

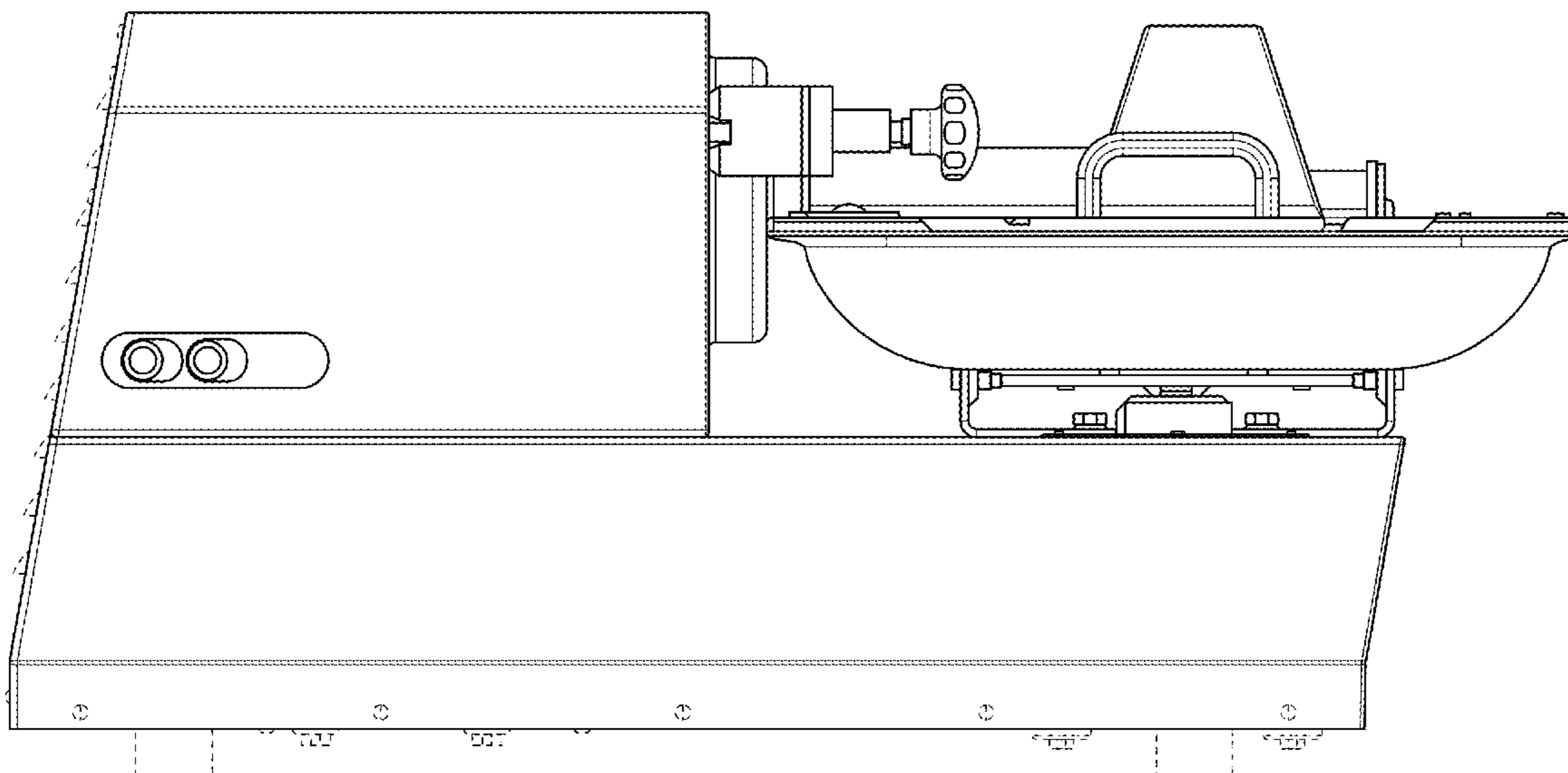
(57) **CLAIM**

The ornamental design for a meat cutting machine, as shown and described.

**DESCRIPTION**

FIG. 1 is a left side view of a meat cutting machine showing my new design; FIG. 2 is a front view thereof; and, FIG. 3 is a top view thereof. The broken lines form no part of the claimed design.

**1 Claim, 3 Drawing Sheets**



(56)

**References Cited**

U.S. PATENT DOCUMENTS

2001/0022139 A1\* 9/2001 Kubicko ..... B01F 15/00389  
99/348

\* cited by examiner

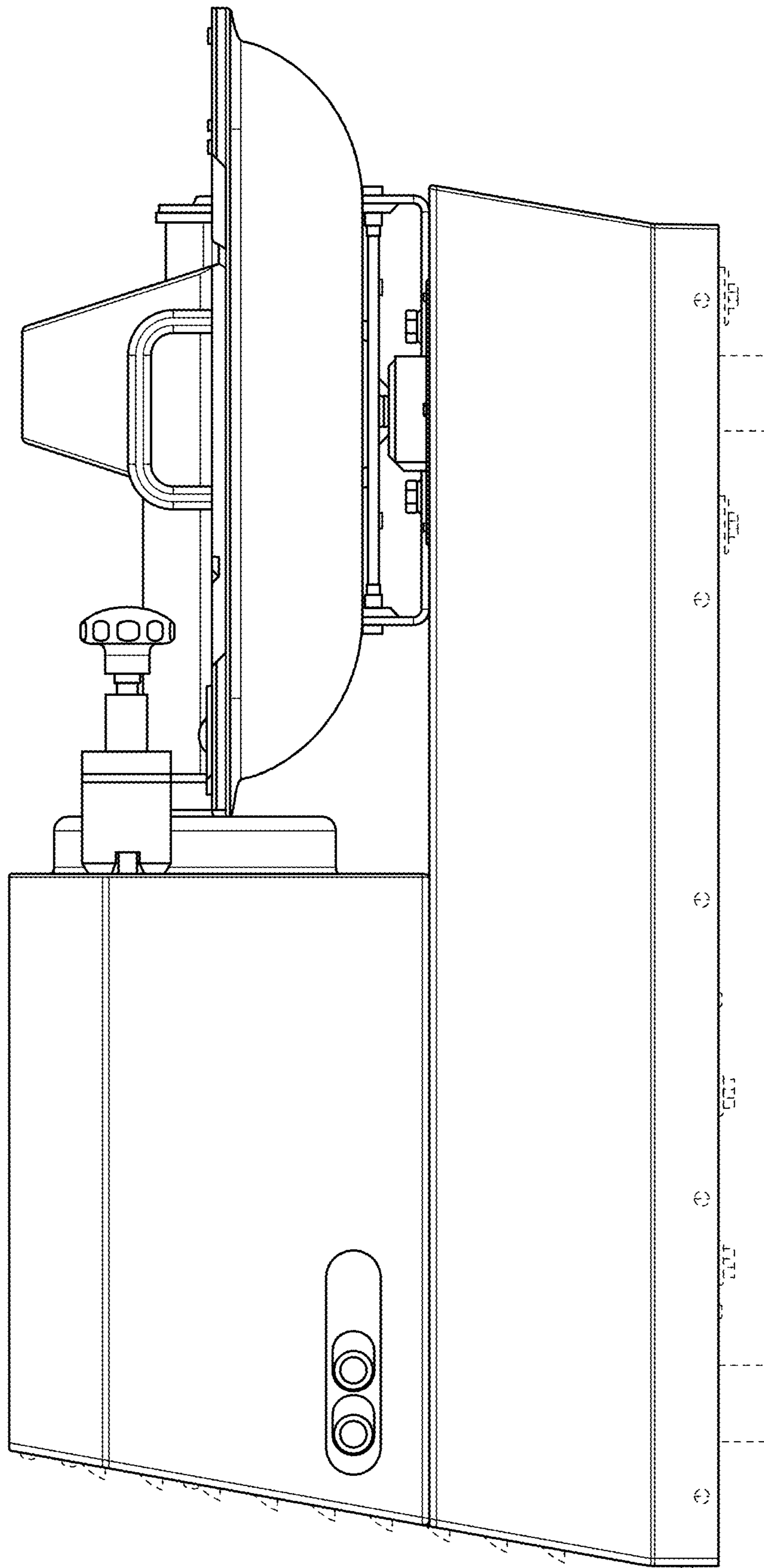


FIG. 1

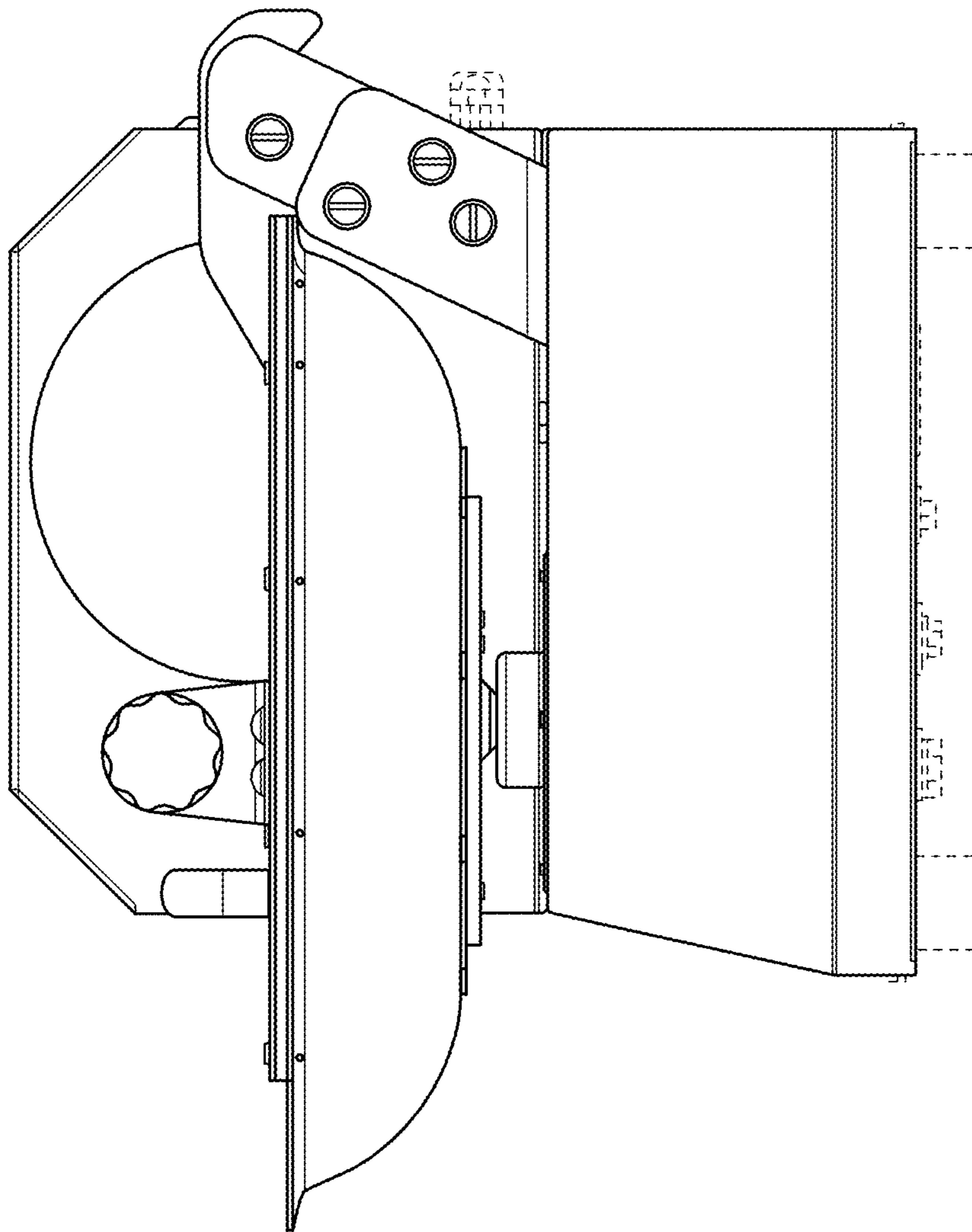


FIG. 2

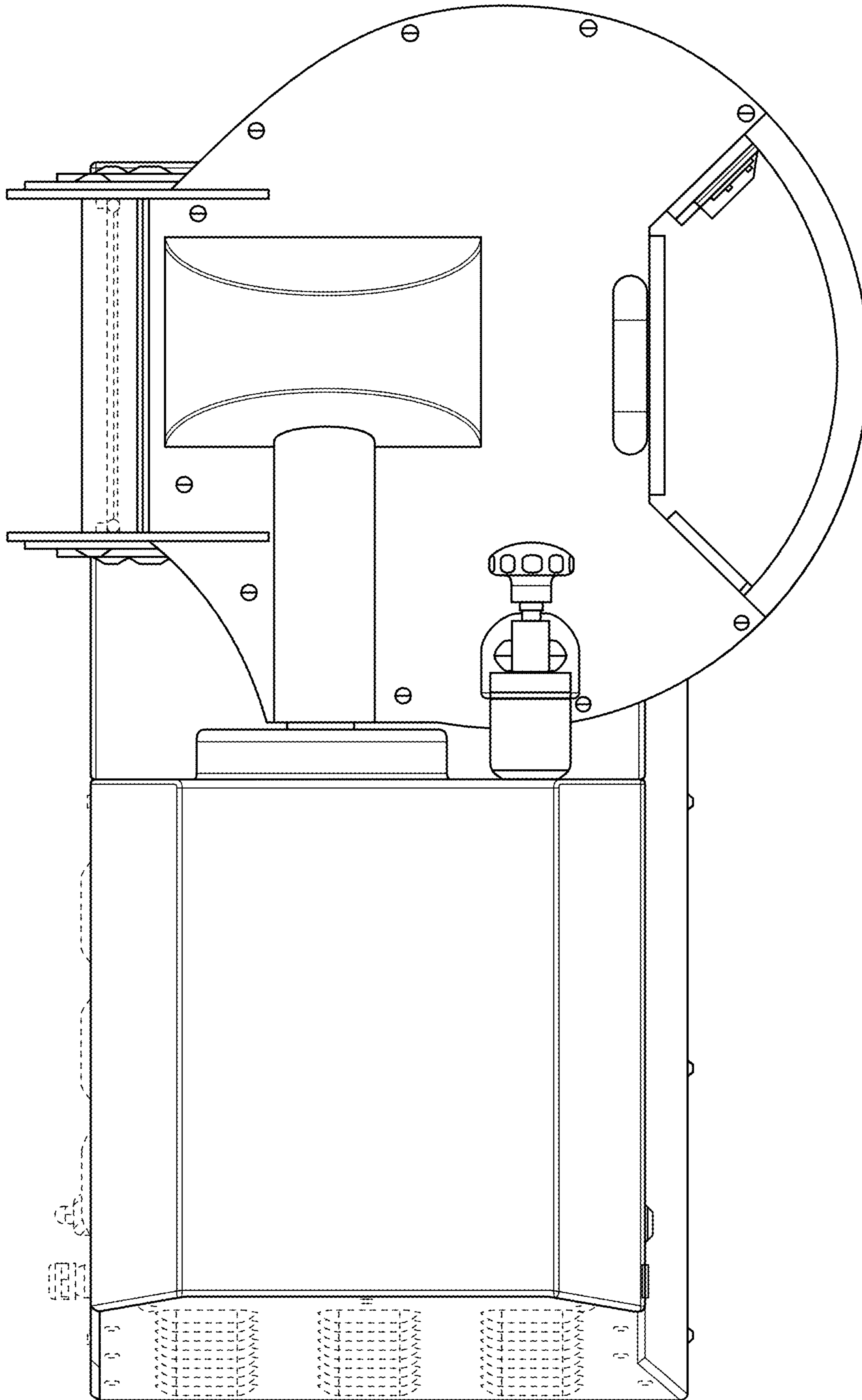


FIG. 3