

US00D909115S

(12) **United States Design Patent**
Kokubo

(10) **Patent No.:** **US D909,115 S**
(45) **Date of Patent:** **** Feb. 2, 2021**

- (54) **CONTAINER FOR COOKING**
- (71) Applicant: **KOKUBO & CO., LTD.**, Wakayama (JP)
- (72) Inventor: **Yoshiaki Kokubo**, Wakayama (JP)
- (73) Assignee: **KOKUBO & CO., LTD.**, Wakayama (JP)
- (**) Term: **15 Years**
- (21) Appl. No.: **29/664,585**
- (22) Filed: **Sep. 26, 2018**

- (30) **Foreign Application Priority Data**
Apr. 26, 2018 (JP) 2018-009255
- (51) **LOC (13) Cl.** **07-02**
- (52) **U.S. Cl.**
USPC **D7/359**; D7/354
- (58) **Field of Classification Search**
USPC D7/323, 354-361, 409, 543, 545, 549, D7/550.1, 553.1-553.8, 554.1-554.4, 555, D7/584, 586, 669; D9/430-433, D9/455-456, 737, 756-762
CPC A21B 3/00; A21B 3/13; A21B 3/15; A21B 3/134; A21B 5/00; A21B 5/02; A47J 27/04; A47J 36/022; A47J 36/025; A47J 36/027; A47J 37/00; A47J 37/04; A47J 37/067; A47J 41/0044; B65D 1/22; B65D 1/24; B65D 1/34; B65D 1/36; B65D 81/343; B65D 85/36
See application file for complete search history.

- (56) **References Cited**
U.S. PATENT DOCUMENTS
2,042,993 A * 6/1936 Hopes A47J 27/04 126/381.1
D209,605 S * 12/1967 Zoeller D7/359

- D257,115 S * 9/1980 Anderson 219/732
- 5,453,574 A * 9/1995 Zuran A47J 37/067 126/25 R
- D363,410 S * 10/1995 Hazen D7/359
- 5,884,555 A * 3/1999 Chang A47J 37/067 99/400
- D471,397 S * 3/2003 Wright D7/359

(Continued)

OTHER PUBLICATIONS

Wilton Perfect Results Premium Non-Stick Bakeware Meatloaf Pan Set. Date First Available on Amazon.com Apr. 7, 2011. <https://www.amazon.com/Wilton-Non-Stick-Bakeware-Meatloaf-Favorite/dp/B004VM1DVI/ref.> (Year: 2011).*

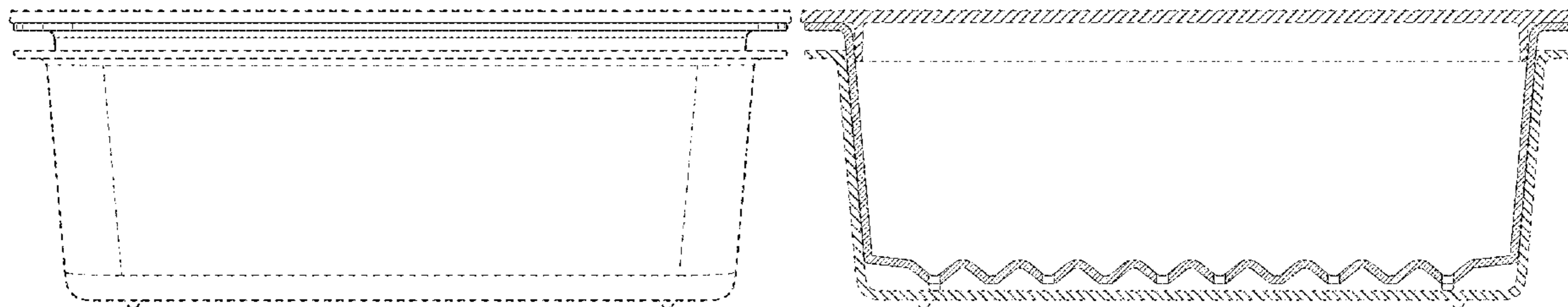
Primary Examiner — Ricky Pham
(74) *Attorney, Agent, or Firm* — Culpepper IP, LLC; Kerry S. Culpepper

- (57) **CLAIM**
The ornamental design for a container for cooking, as shown and described.

DESCRIPTION

FIG. 1 is a front view;
FIG. 2 is a rear view;
FIG. 3 is a right side view;
FIG. 4 is a left side view;
FIG. 5 is a top surface view;
FIG. 6 is a bottom surface view;
FIG. 7 is a cross-sectional view along lines A-A of FIG. 3;
FIG. 8 is a front view of the drain container;
FIG. 9 is a rear view of the drain container;
FIG. 10 is a right side view of the drain container;
FIG. 11 is a left side view of the drain container;
FIG. 12 is a top surface view of the drain container; and,
FIG. 13 is a bottom surface view of the drain container.
Any broken lines shown represent unclaimed subject matter and form no part of the claimed design.

1 Claim, 7 Drawing Sheets



(56)

References Cited

U.S. PATENT DOCUMENTS

7,216,504 B2 *	5/2007	Armer	A47J 41/0044 62/457.2
D653,075 S *	1/2012	Lupkes	D7/359
D756,699 S *	5/2016	Kim	A47J 37/067 D7/359
D802,988 S *	11/2017	Lovenwald	D7/359
D876,877 S *	3/2020	Cheng	D7/359
D885,854 S *	6/2020	Cloutier	D7/669

* cited by examiner

FIG. 1

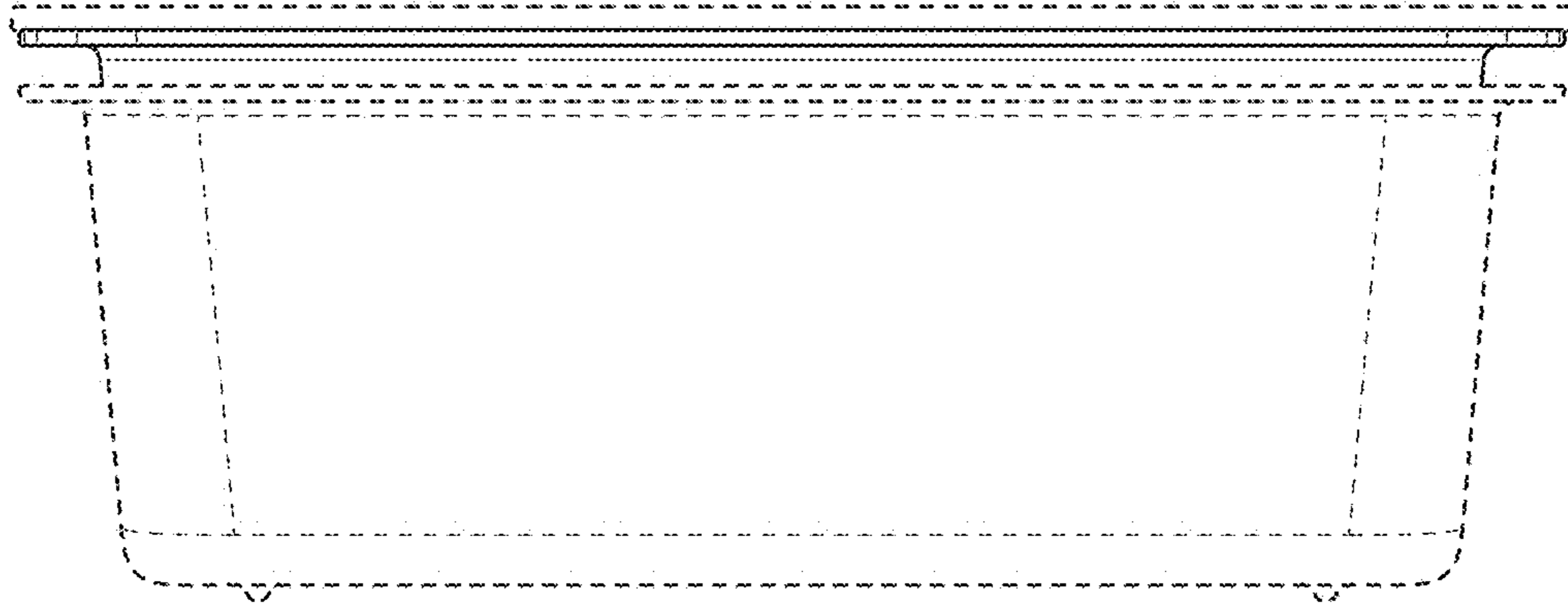


FIG. 2

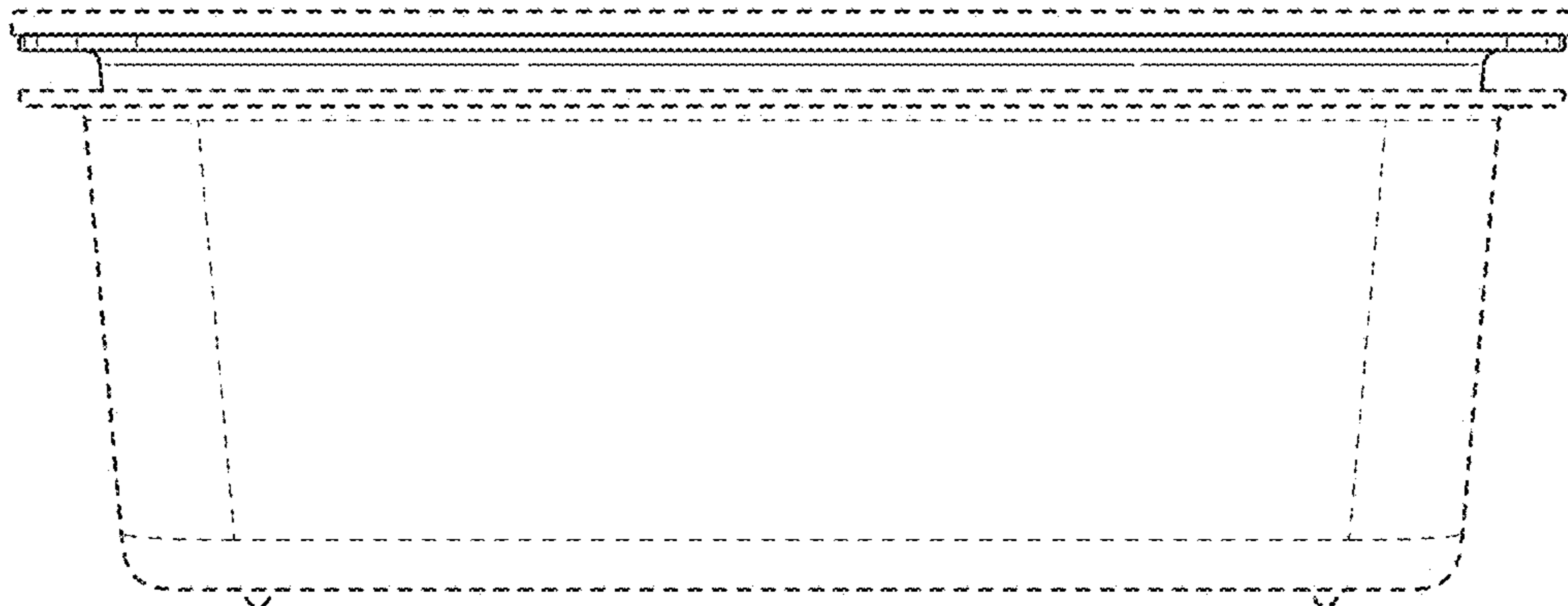


FIG. 3

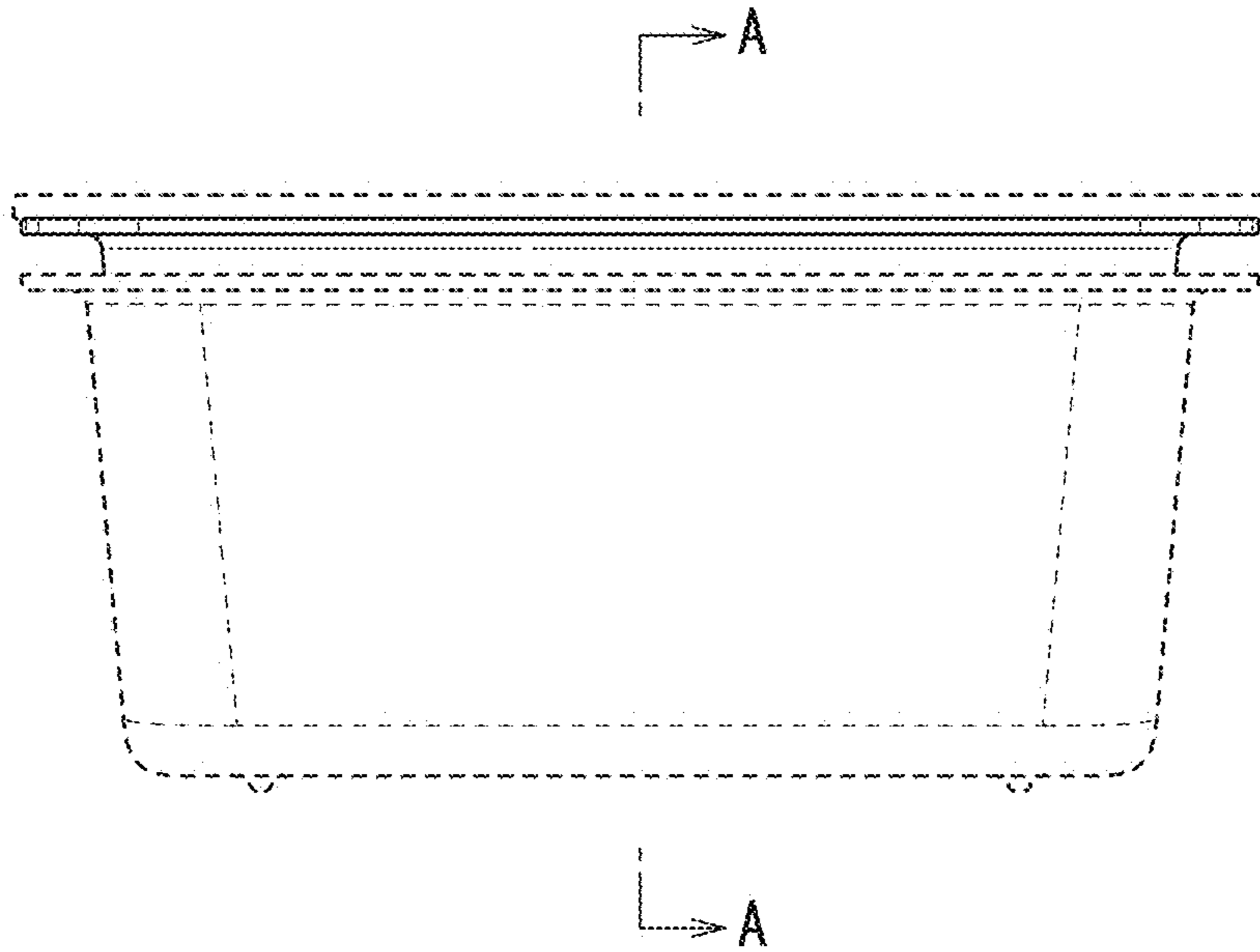


FIG. 4

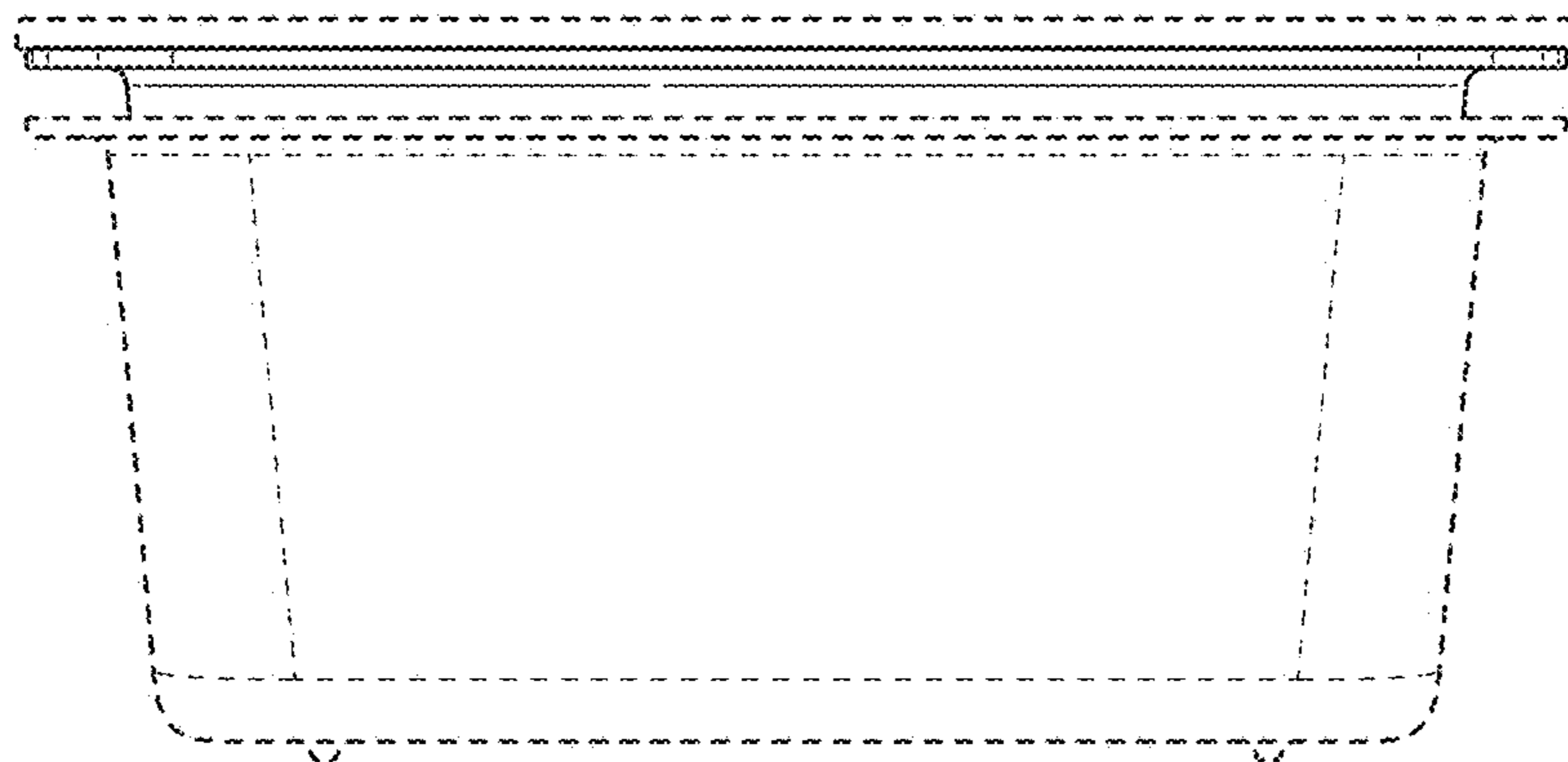


FIG. 5



FIG. 6

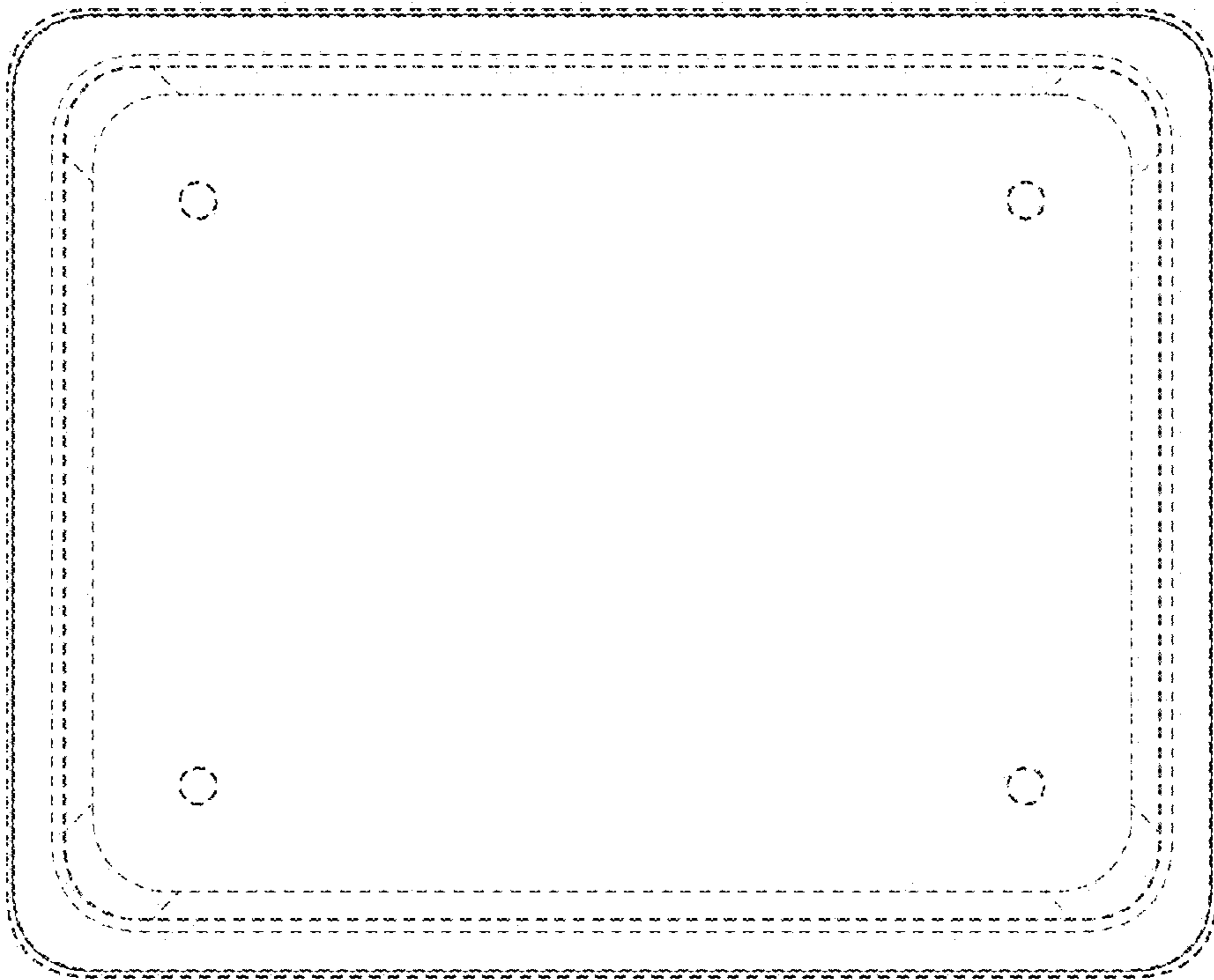


FIG. 7

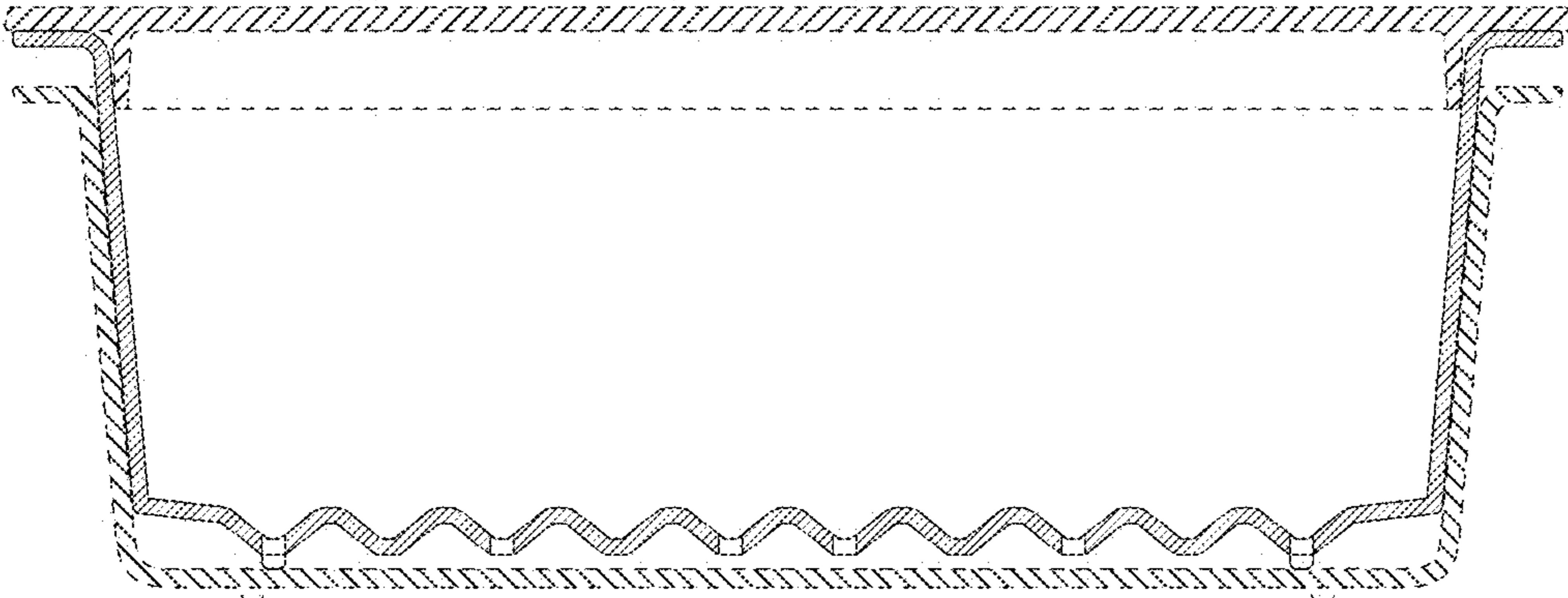


FIG. 8

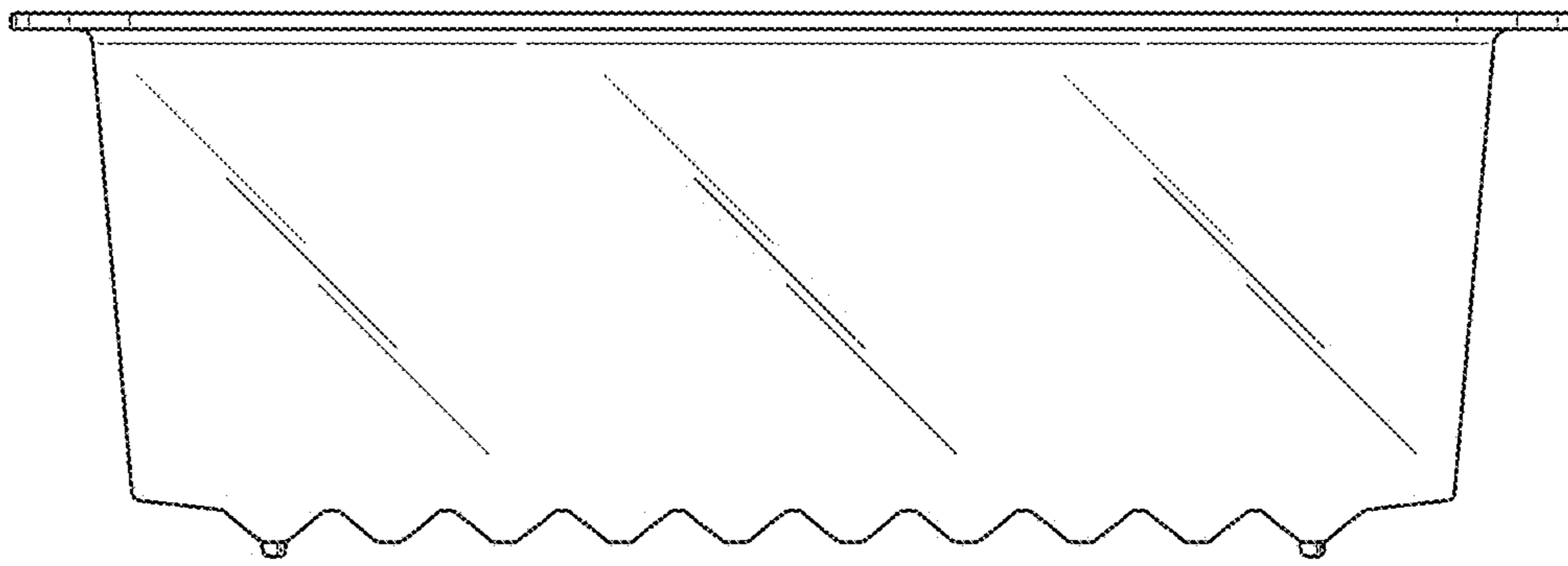


FIG. 9

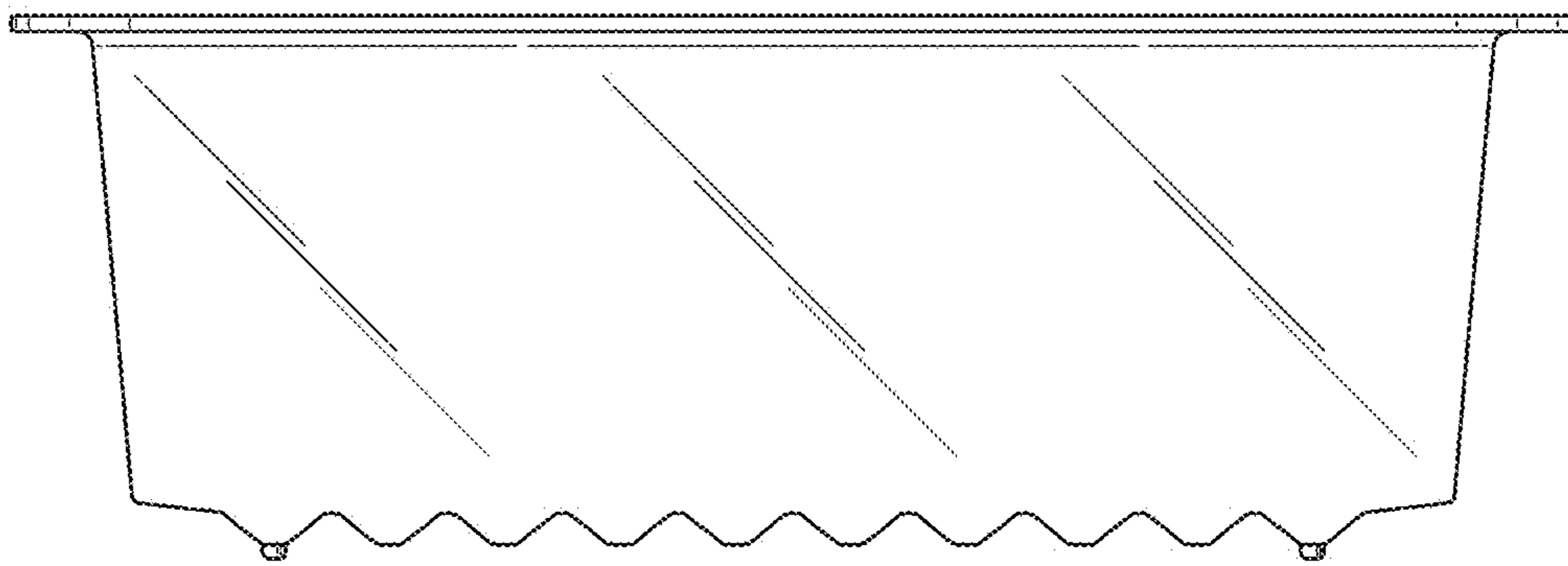


FIG. 10

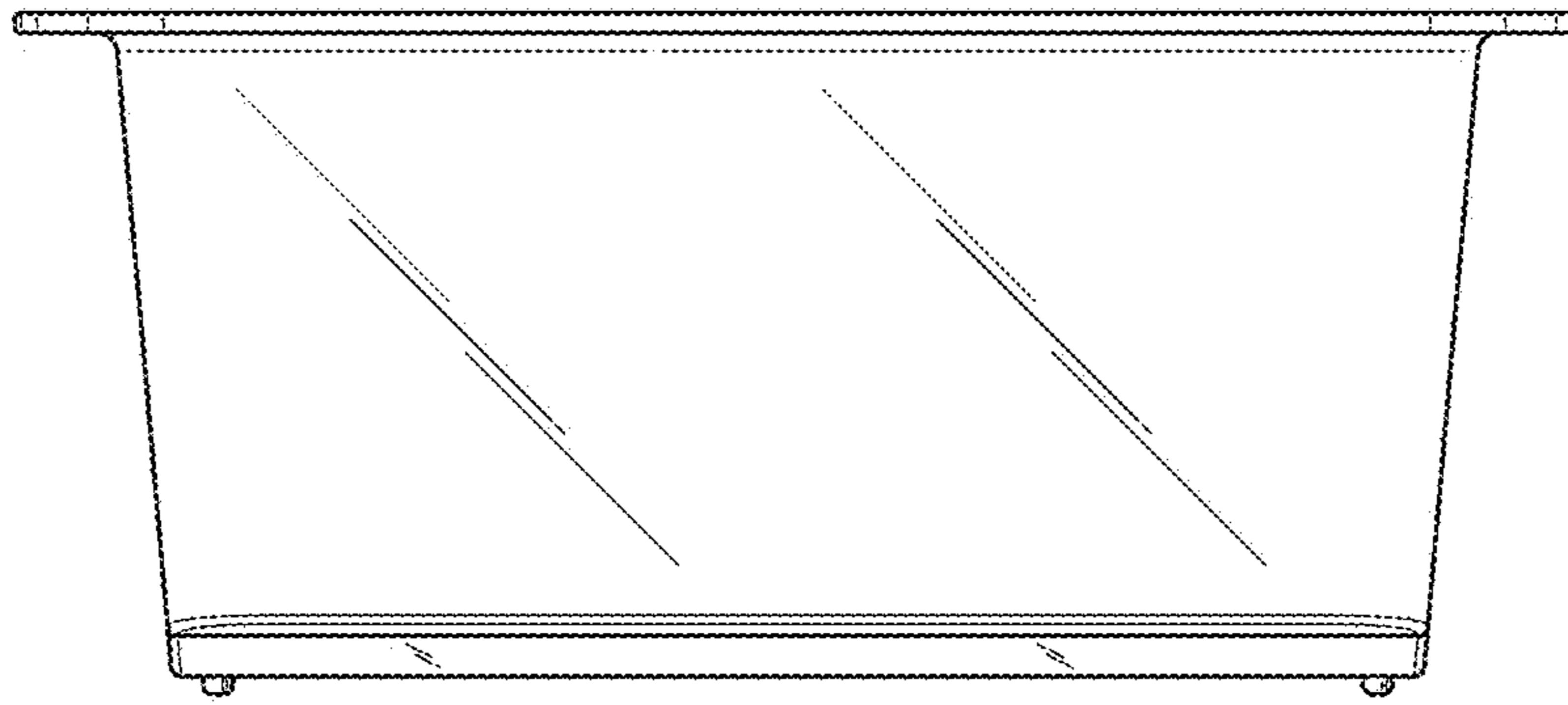


FIG. 11

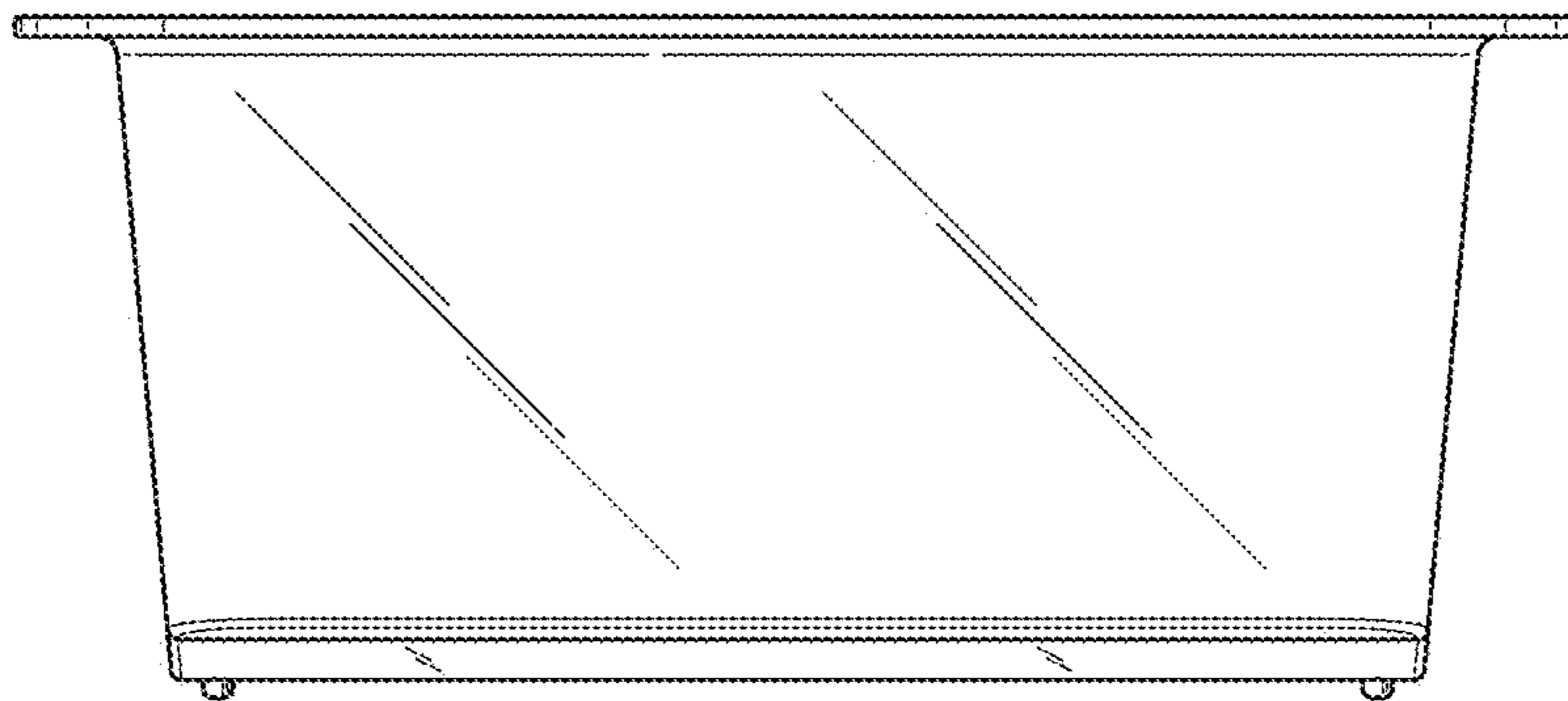


FIG. 12

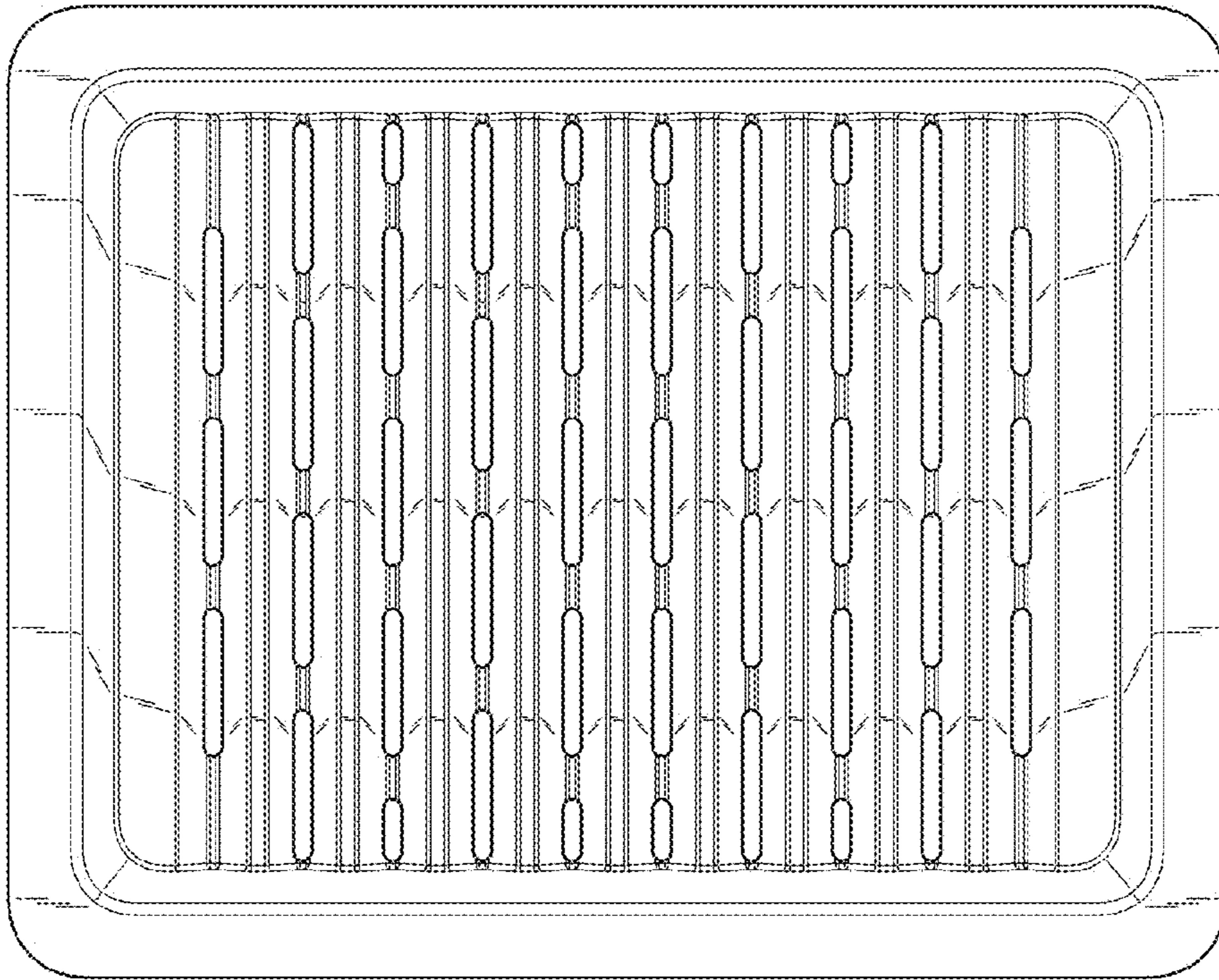


FIG. 13

