



US00D909114S

(12) **United States Design Patent**
Liao

(10) **Patent No.:** **US D909,114 S**

(45) **Date of Patent:** **** Feb. 2, 2021**

(54) **BAKING SHEET**

(71) Applicant: **Shenzhen xiayingkeji youxiangongsi**, shenzhen guangdong (CN)

(72) Inventor: **Yanxia Liao**, chaozhou guangdong (CN)

(**) Term: **15 Years**

(21) Appl. No.: **29/750,351**

(22) Filed: **Sep. 14, 2020**

(51) **LOC (13) Cl.** **07-02**

(52) **U.S. Cl.**
USPC **D7/354**

(58) **Field of Classification Search**
USPC D6/705; D7/323, 354-361, 409, 543, D7/545, 549, 550.1, 553.1-553.8, D7/554.1-554.4, 555, 584, 586, 587, 688; D9/430-433, 455-456, 737, 756-762
CPC .. A21B 3/00; A21B 3/003; A21B 3/13; A21B 3/15; A21B 3/134; A21B 5/00; A21B 5/02; A21D 8/08; A47J 36/022; A47J 36/025; A47J 36/027; A47J 37/00; A47J 37/04; A47J 43/28; A47J 43/284; B65D 1/22; B65D 1/24; B65D 1/34; B65D 1/36; B65D 81/343; B65D 85/36
See application file for complete search history.

(56) **References Cited**

U.S. PATENT DOCUMENTS

2,672,104 A * 3/1954 Clark A21D 8/08 249/115
D427,009 S * 6/2000 Iyengar D7/354
D489,568 S * 5/2004 Groll D7/354
D539,075 S * 3/2007 Schuler D7/354

D551,492 S * 9/2007 Schuler D7/354
D578,811 S * 10/2008 Gervasi D6/705
D581,203 S * 11/2008 Simon D7/354
D588,396 S * 3/2009 Millsap D7/354
D651,043 S * 12/2011 Sarnoff D7/409
D784,067 S 4/2017 Keating
D788,538 S * 6/2017 Vukksila D7/587
D809,848 S * 2/2018 Mirchandani D7/354
D871,155 S * 12/2019 Miller D7/554.3
D896,564 S * 9/2020 Kerr D7/354

OTHER PUBLICATIONS

Vingli 5-Piece Set Sheet Pan, Comercial Aluminum Baking Pan Cookie Sheet. Date First Available on Amazon.com Sep. 11, 2020. <https://www.amazon.com/VINGLI-5-Piece-Comercial-Aluminum-Baking/dp/B08HVCWS9R/> (Year: 2020).*

* cited by examiner

Primary Examiner — Ricky Pham
(74) *Attorney, Agent, or Firm* — ZANIP

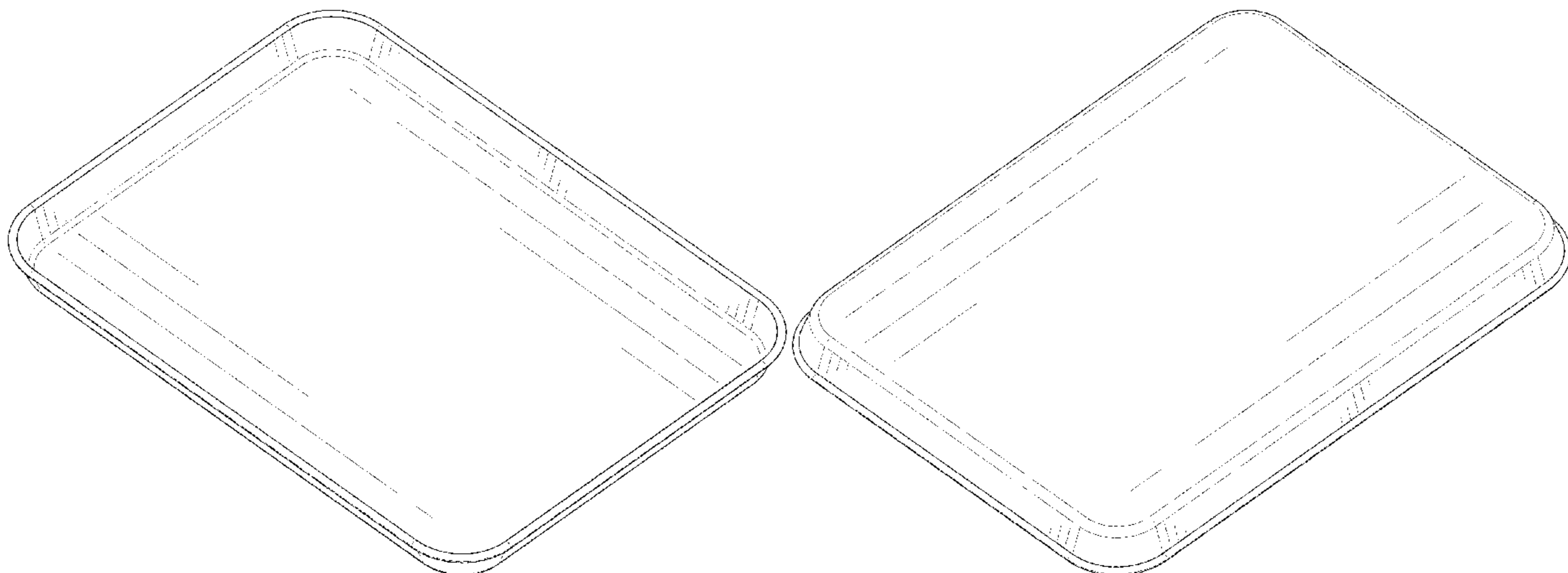
(57) **CLAIM**

The ornamental design for a baking sheet, as shown and described.

DESCRIPTION

FIG. 1 is a front and top perspective view of a baking sheet, showing my new design;
FIG. 2 is a rear and bottom perspective view thereof;
FIG. 3 is a front elevational view thereof;
FIG. 4 is a rear elevational view thereof;
FIG. 5 is a left side elevational view thereof;
FIG. 6 is a right side elevational view thereof;
FIG. 7 is a top plan view thereof; and,
FIG. 8 is a bottom plan view thereof.

1 Claim, 8 Drawing Sheets



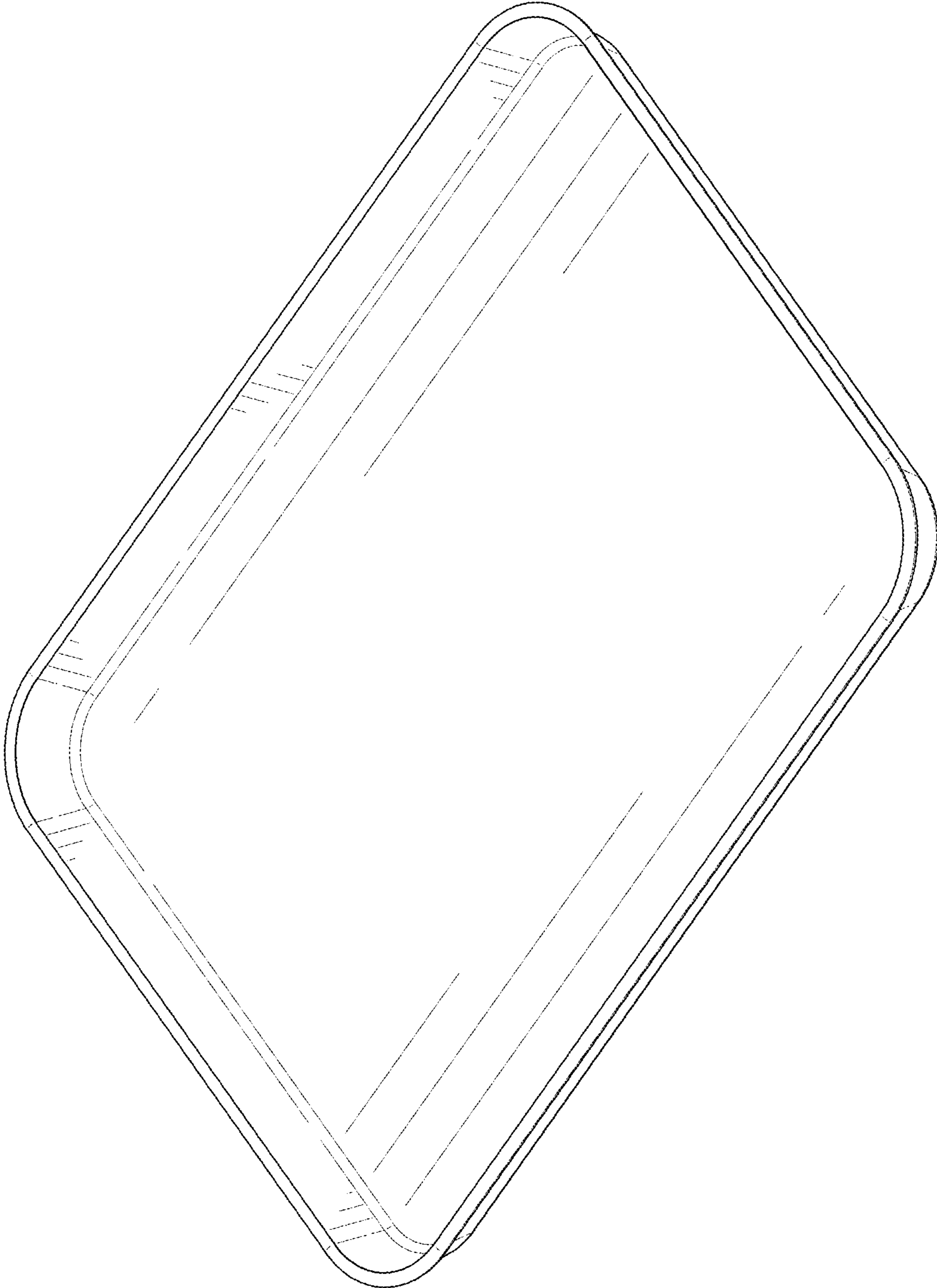


FIG. 1

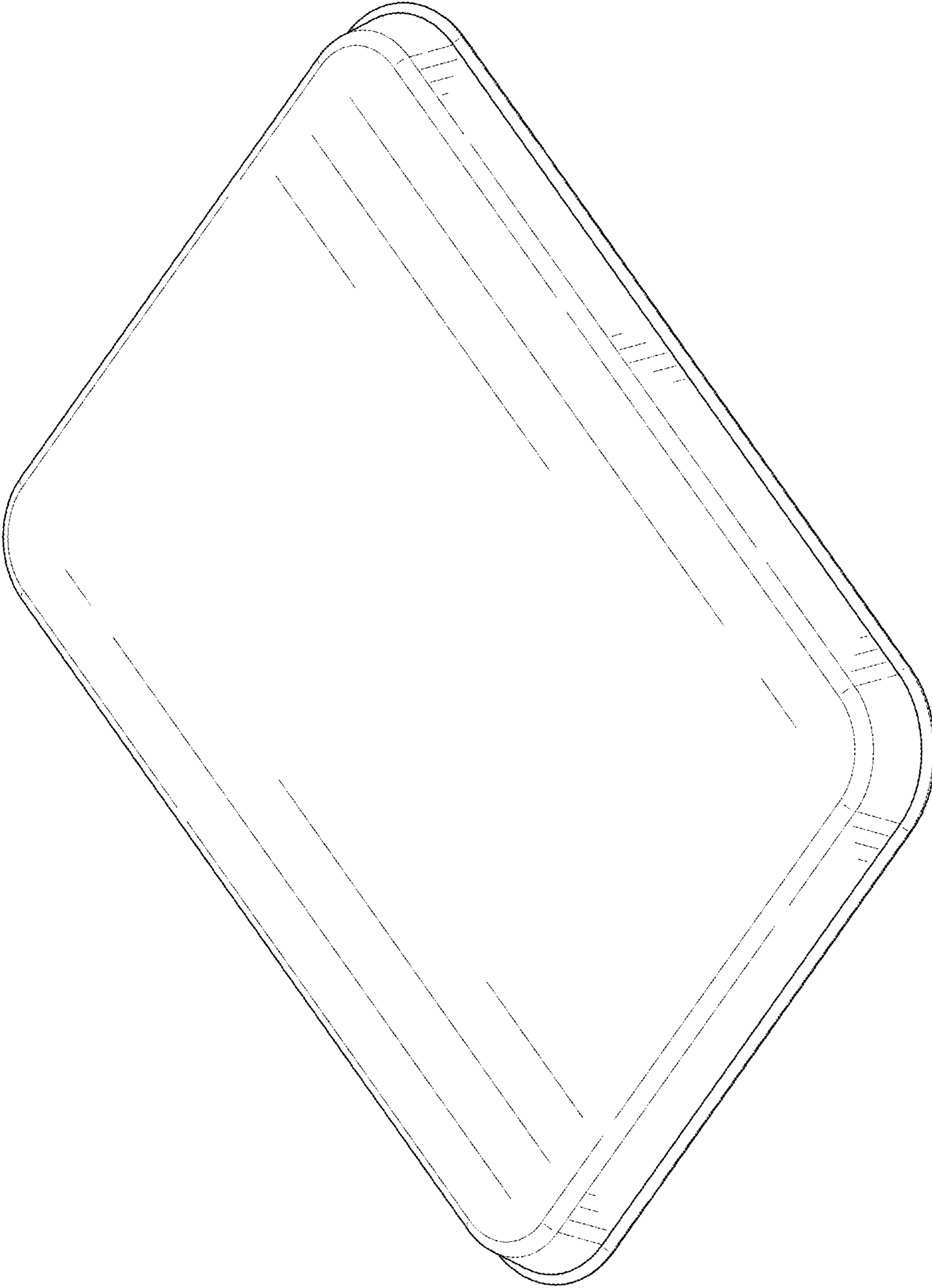


FIG. 2

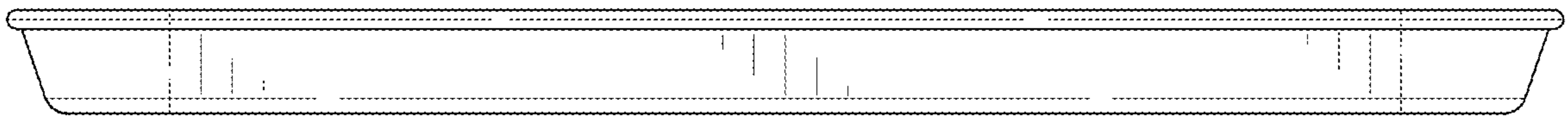


FIG. 3

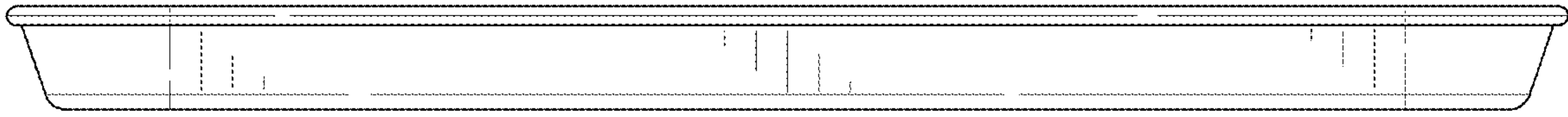


FIG. 4

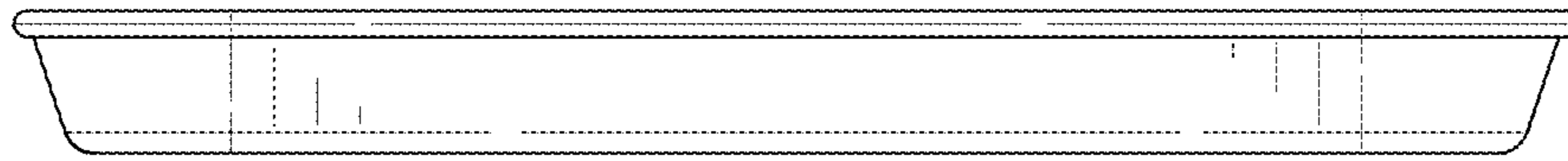


FIG. 5

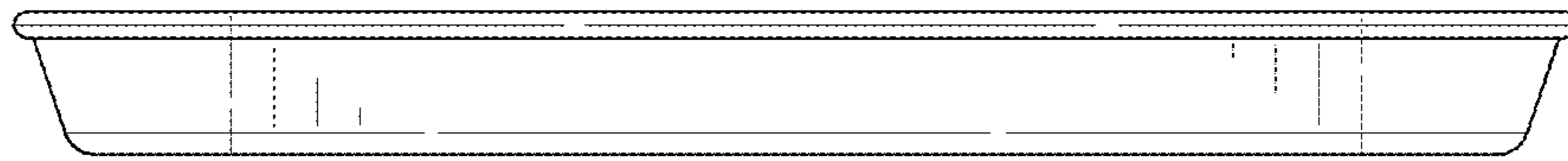


FIG. 6



FIG. 7



FIG. 8