



US00D909113S

(12) **United States Design Patent** (10) **Patent No.:** **US D909,113 S**
Etgar et al. (45) **Date of Patent:** **** Feb. 2, 2021**

(54) **BEVERAGE DISPENSING SYSTEM**

(74) *Attorney, Agent, or Firm* — Sheridan Ross P.C.

(71) Applicant: **Coors Brewing Company**, Denver, CO (US)

(57) **CLAIM**

The ornamental design for the beverage dispensing system, as shown and described.

(72) Inventors: **Inbal Etgar**, Berkeley, CA (US);
Anderson Miller, San Francisco, CA (US); **Ryan Wickre**, San Francisco, CA (US); **Hailey Stewart**, Wilmington, MA (US); **Jonathan Grossman**, San Francisco, CA (US)

DESCRIPTION

(73) Assignee: **Coors Brewing Company**, Denver, CO (US)

FIG. 1 is a perspective view of a beverage dispensing system showing a first embodiment of our new design;
FIG. 2 is a front elevation view thereof;
FIG. 3 is a rear elevation view thereof;
FIG. 4 is a left elevation view thereof;
FIG. 5 is a right elevation view thereof;
FIG. 6 is a top plan view thereof;
FIG. 7 is a bottom plan view thereof;
FIG. 8 is a perspective view of a beverage dispensing system showing a second embodiment of our new design;
FIG. 9 is a front elevation view of the beverage dispensing system of FIG. 8;
FIG. 10 is a rear elevation view of the beverage dispensing system of FIG. 8;
FIG. 11 is a left elevation view of the beverage dispensing system of FIG. 8;
FIG. 12 is a right elevation view of the beverage dispensing system of FIG. 8;
FIG. 13 is a top plan view of the beverage dispensing system of FIG. 8;
FIG. 14 is a bottom plan view of the beverage dispensing system of FIG. 8;
FIG. 15 is a perspective view of a beverage dispensing system showing a third embodiment of our new design;
FIG. 16 is a front elevation view of the beverage dispensing system of FIG. 15;
FIG. 17 is a rear elevation view of the beverage dispensing system of FIG. 15;
FIG. 18 is a left elevation view of the beverage dispensing system of FIG. 15;
FIG. 19 is a right elevation view of the beverage dispensing system of FIG. 15;
FIG. 20 is a top plan view of the beverage dispensing system of FIG. 15; and
FIG. 21 is a bottom plan view of the beverage dispensing system of FIG. 15.

(**) Term: **15 Years**

(21) Appl. No.: **29/681,362**

(22) Filed: **Feb. 25, 2019**

(51) **LOC (13) Cl.** **07-01**

(52) **U.S. Cl.**
USPC **D7/307; D7/308; D34/14; D34/19**

(58) **Field of Classification Search**
USPC **D7/306–311, 305, 300; 99/279, 284, 99/290, 280, 299, 307, 297, 295; D34/14, 19**

(Continued)

(56) **References Cited**

U.S. PATENT DOCUMENTS

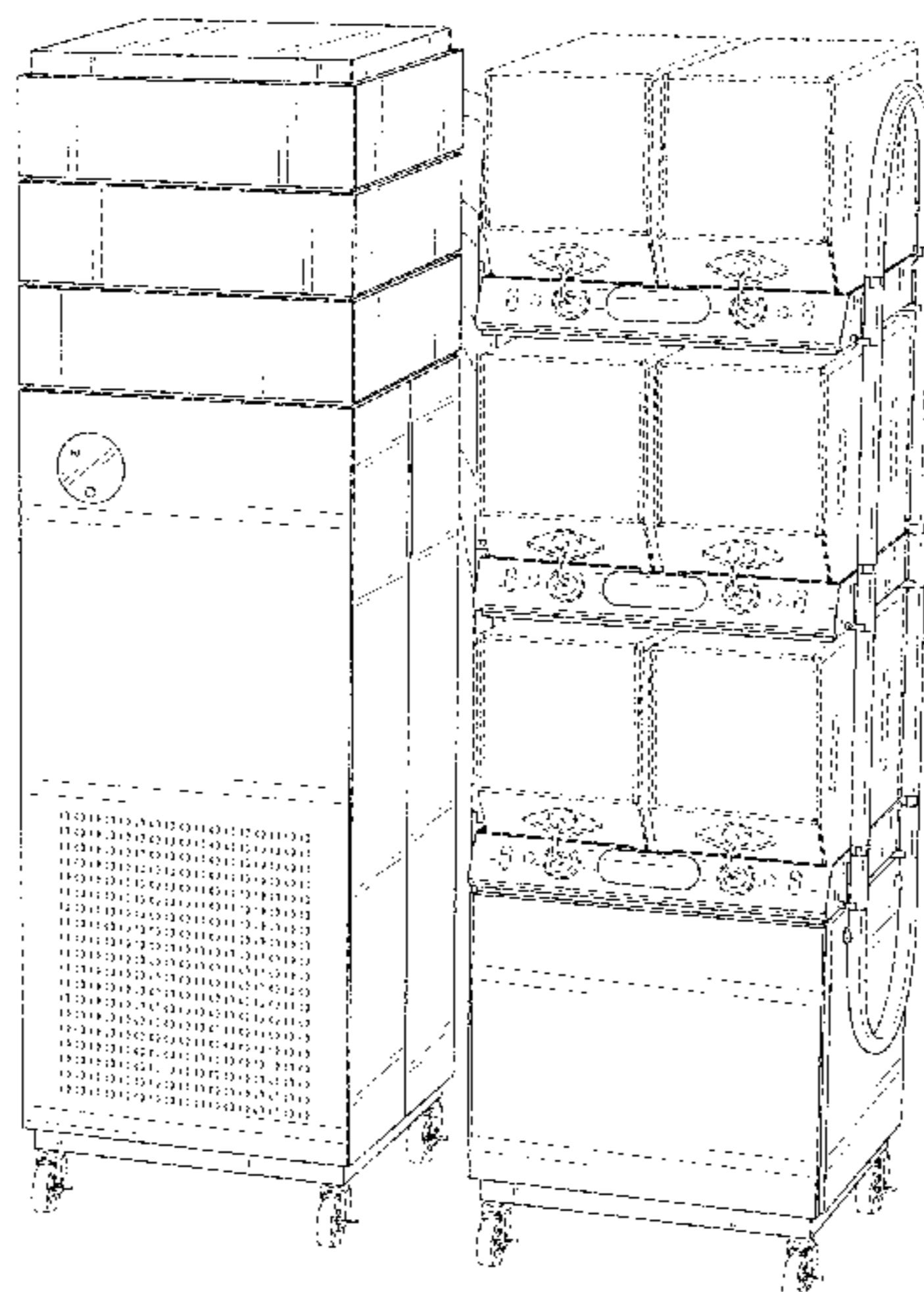
2,845,780 A * 8/1958 Conklin A47B 31/02
62/291
D235,009 S * 4/1975 Thompson D7/305
(Continued)

OTHER PUBLICATIONS

Official Action for Australian Patent Application No. 201914679, dated Sep. 27, 2019, 3 pages.

Primary Examiner — Marianne N Pandozzi

(Continued)



The broken lines in the drawings illustrate portions of the beverage dispensing system which form no part of the claimed design.

1 Claim, 21 Drawing Sheets

(58) **Field of Classification Search**

CPC .. A47J 31/44; A47J 31/00; A47J 31/46; A47J
31/10; A47J 31/369; A47J 31/06; A47B
31/02

See application file for complete search history.

(56) **References Cited**

U.S. PATENT DOCUMENTS

D264,214 S *	5/1982	Bowen	D34/14
4,886,286 A *	12/1989	Whorton, III	B62B 3/006 280/47.35
5,064,097 A *	11/1991	Brog	B01D 61/08 222/129
D340,336 S *	10/1993	Groenewege	D34/14
D347,960 S *	6/1994	Strohmeier	D7/306
6,926,170 B2 *	8/2005	Groesbeck	B67D 1/0021 222/105
7,104,074 B2 *	9/2006	Voute	A01N 1/00 280/79.3
D631,631 S *	1/2011	Okorie	D34/19
7,954,761 B2 *	6/2011	Johnson	A47B 31/02 244/118.5
D679,468 S *	4/2013	Nicholson	D34/19
D853,156 S *	7/2019	Tsukii	D6/664
D891,875 S *	8/2020	Olson	D7/605

* cited by examiner

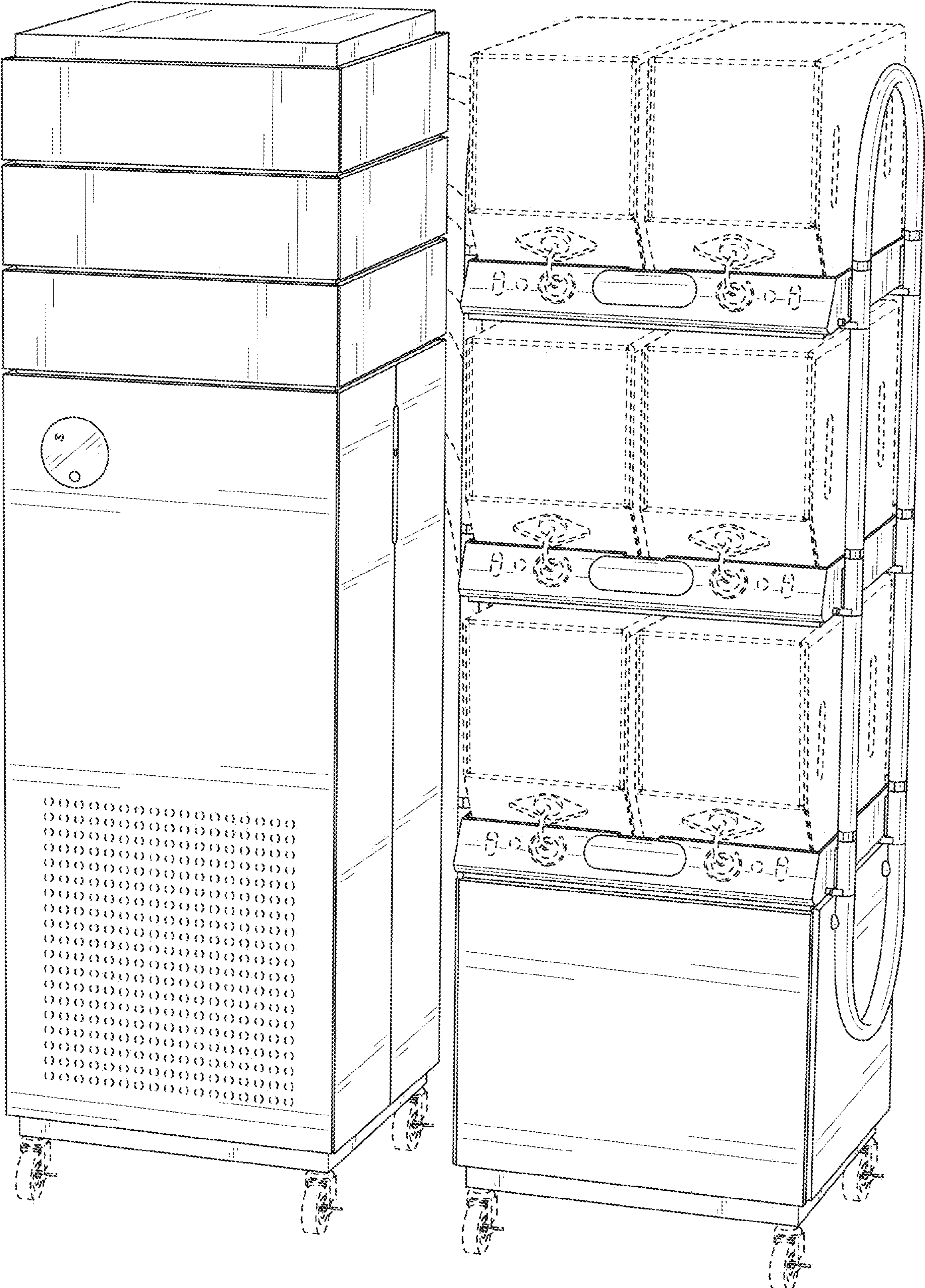


FIG. 1

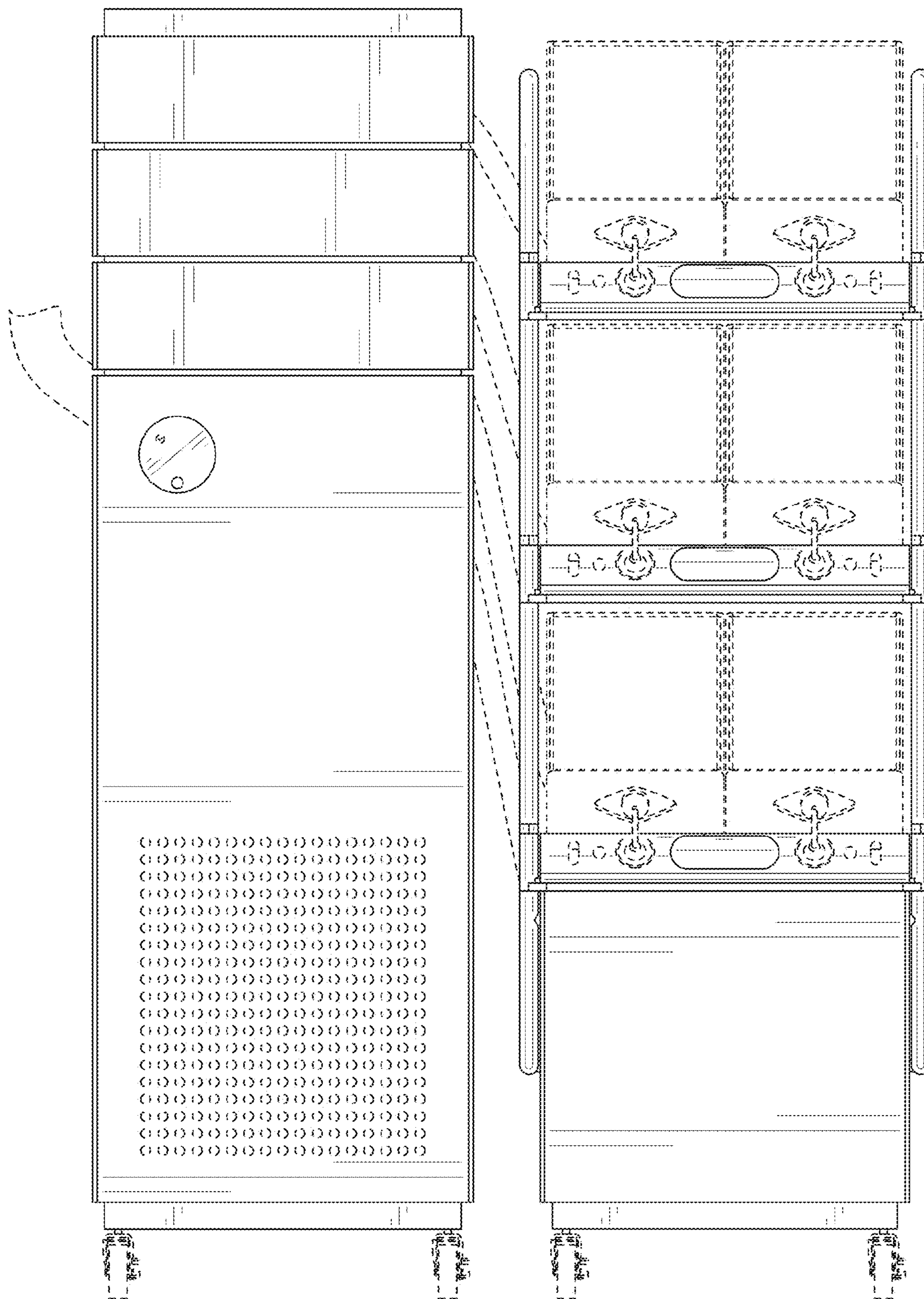


FIG. 2

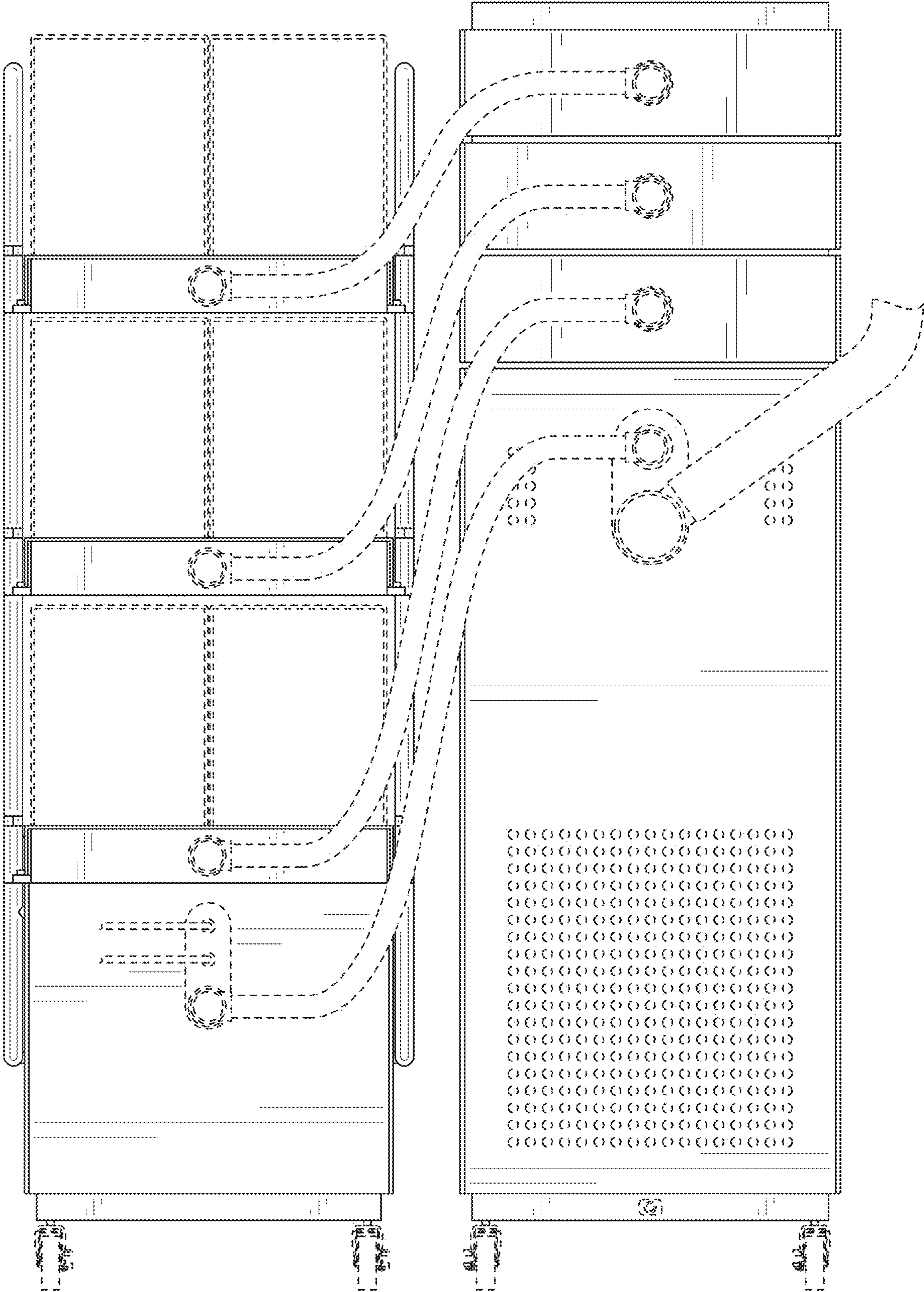


FIG. 3

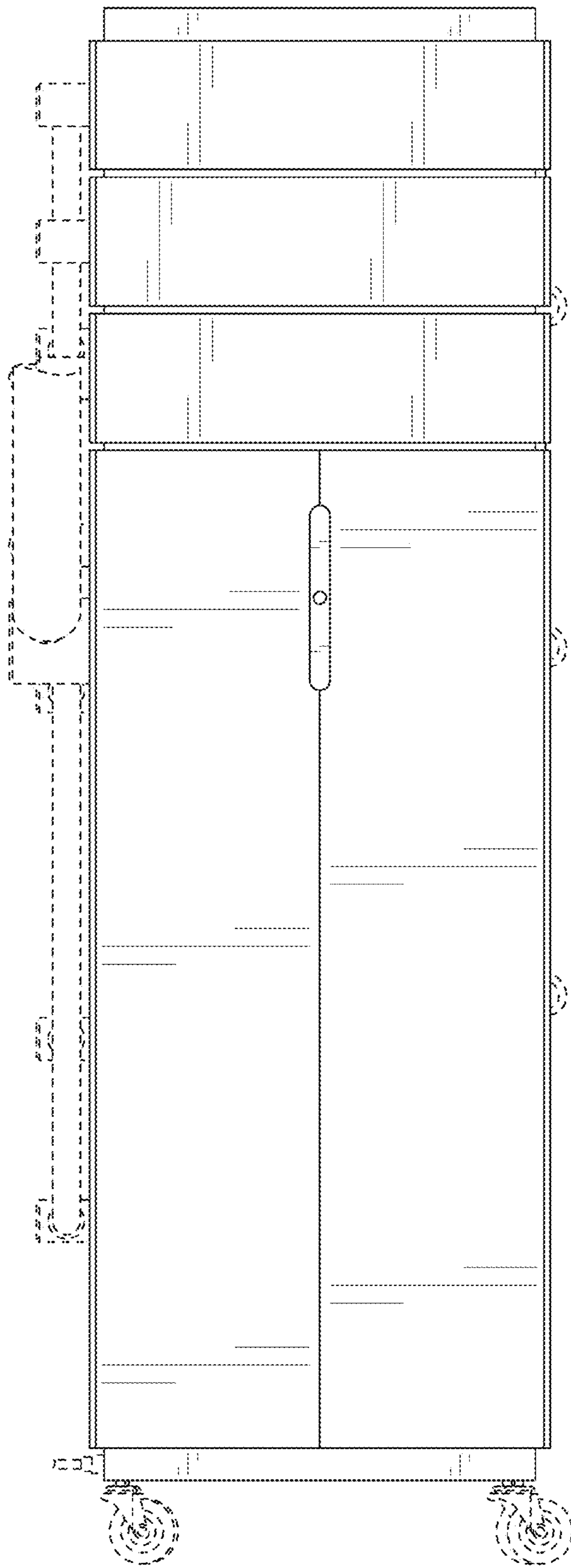


FIG. 4

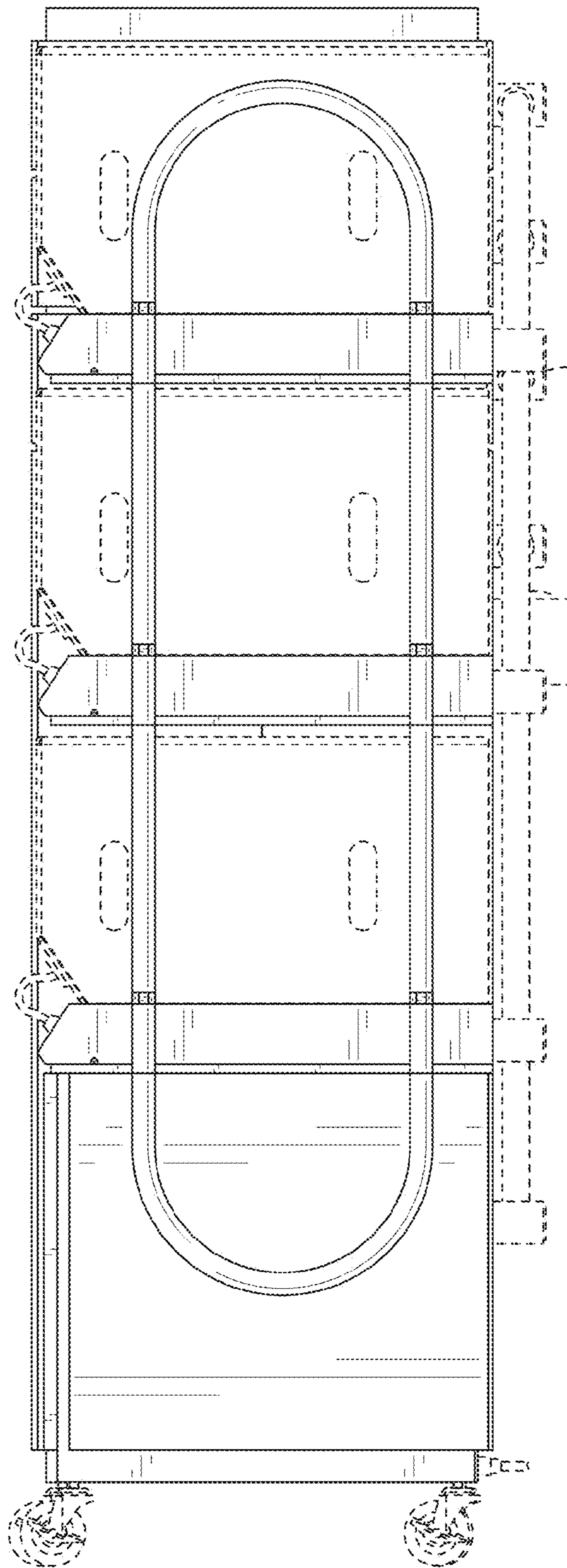


FIG. 5

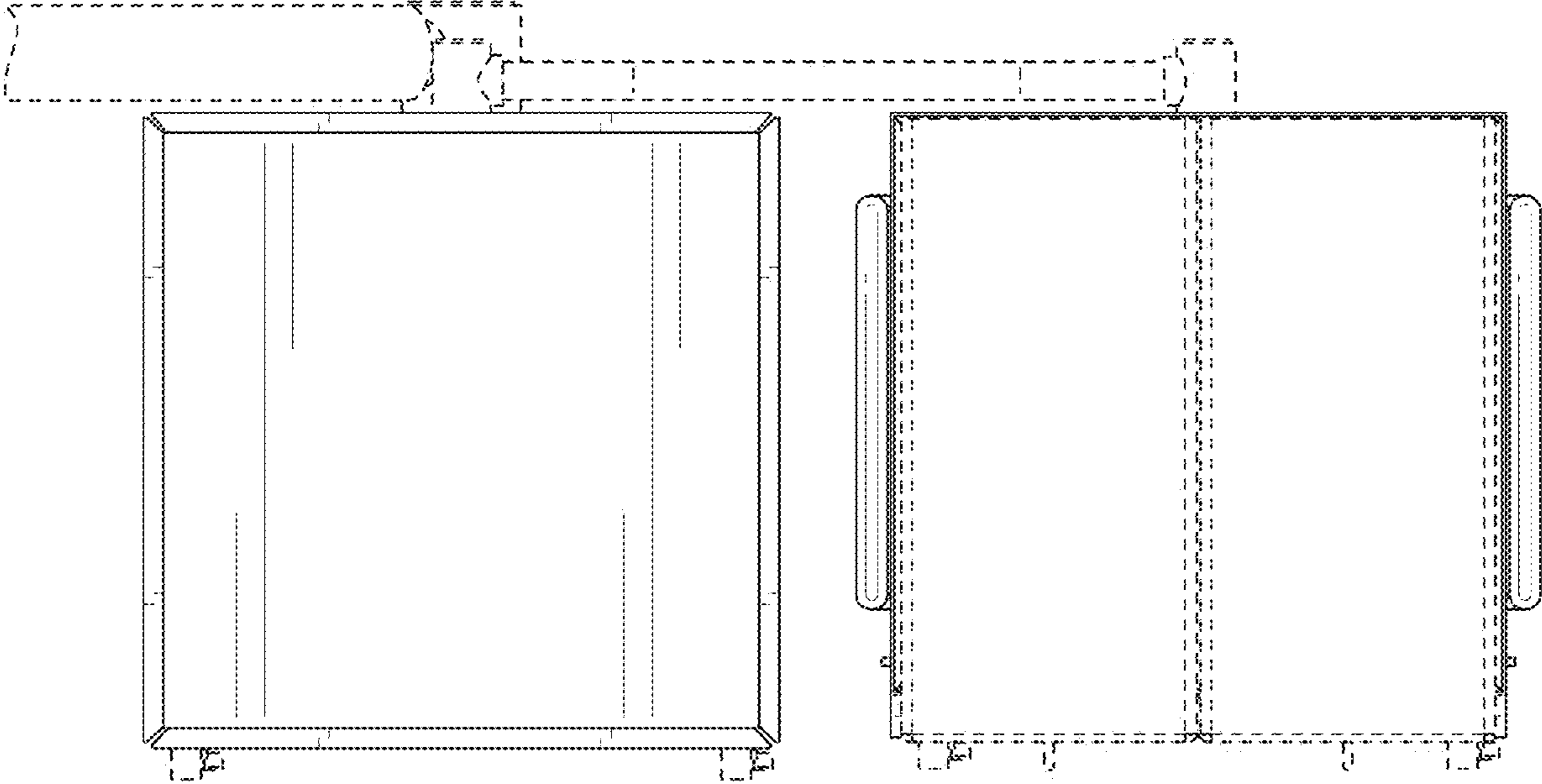


FIG. 6

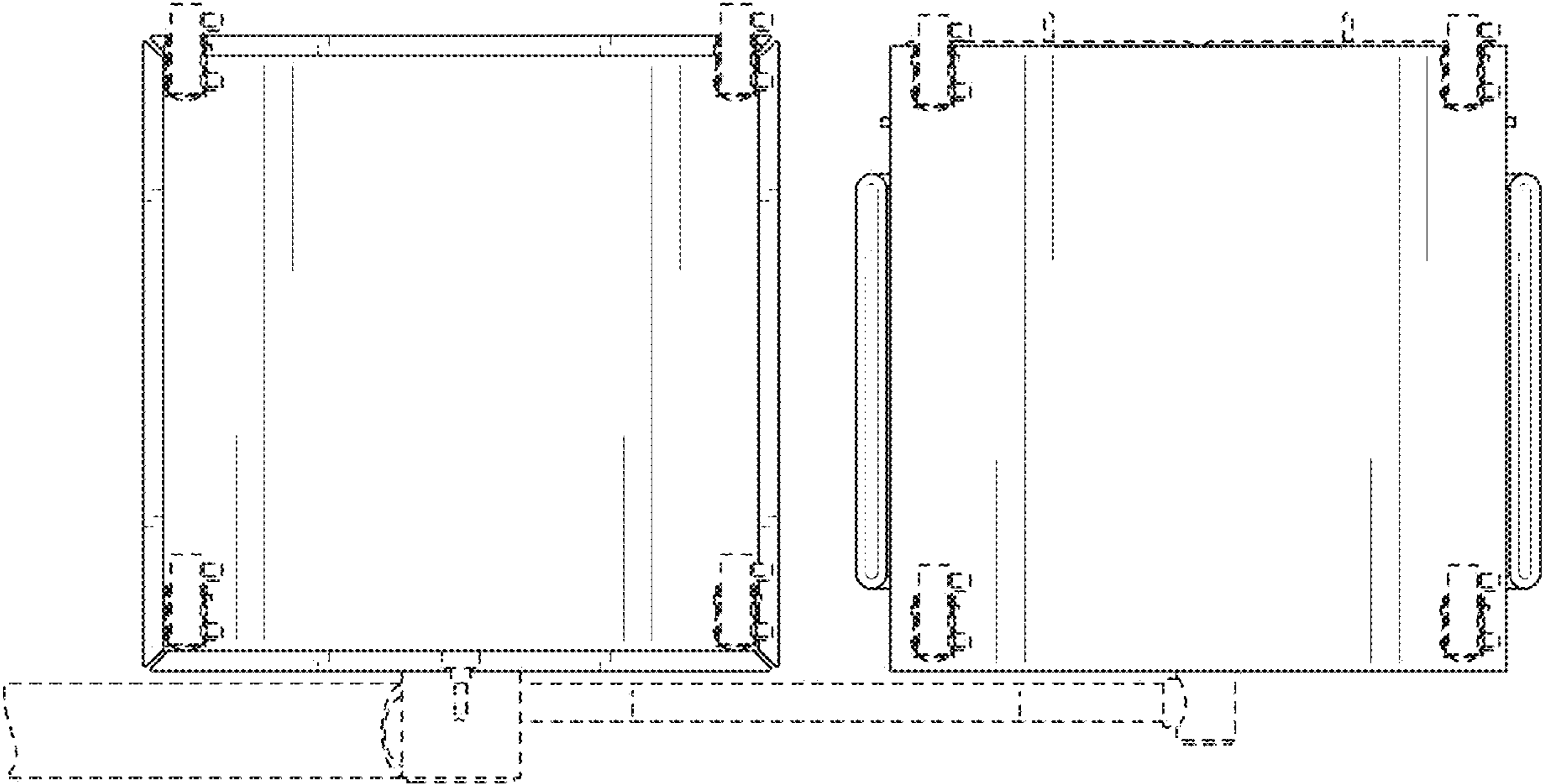


FIG. 7

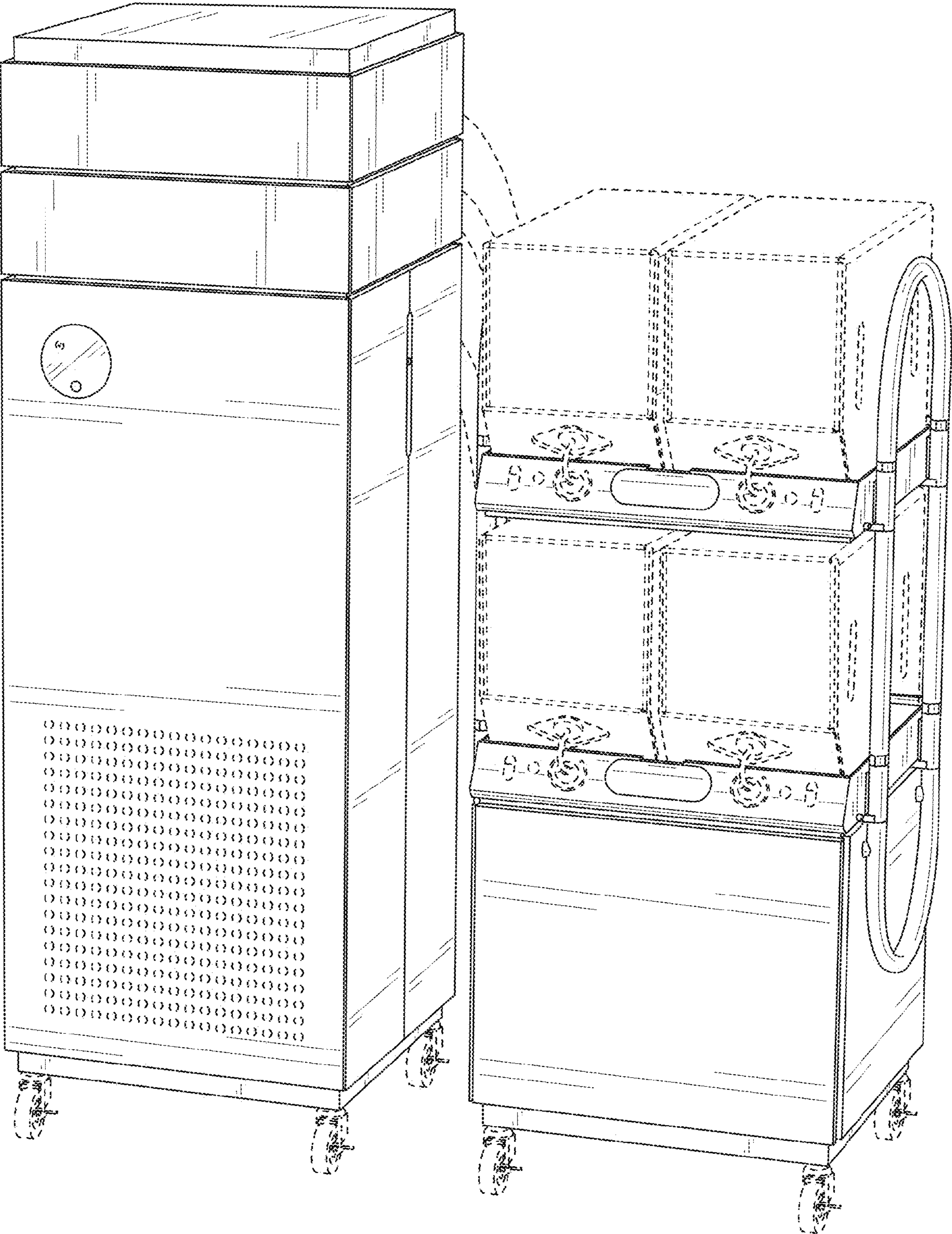


FIG. 8

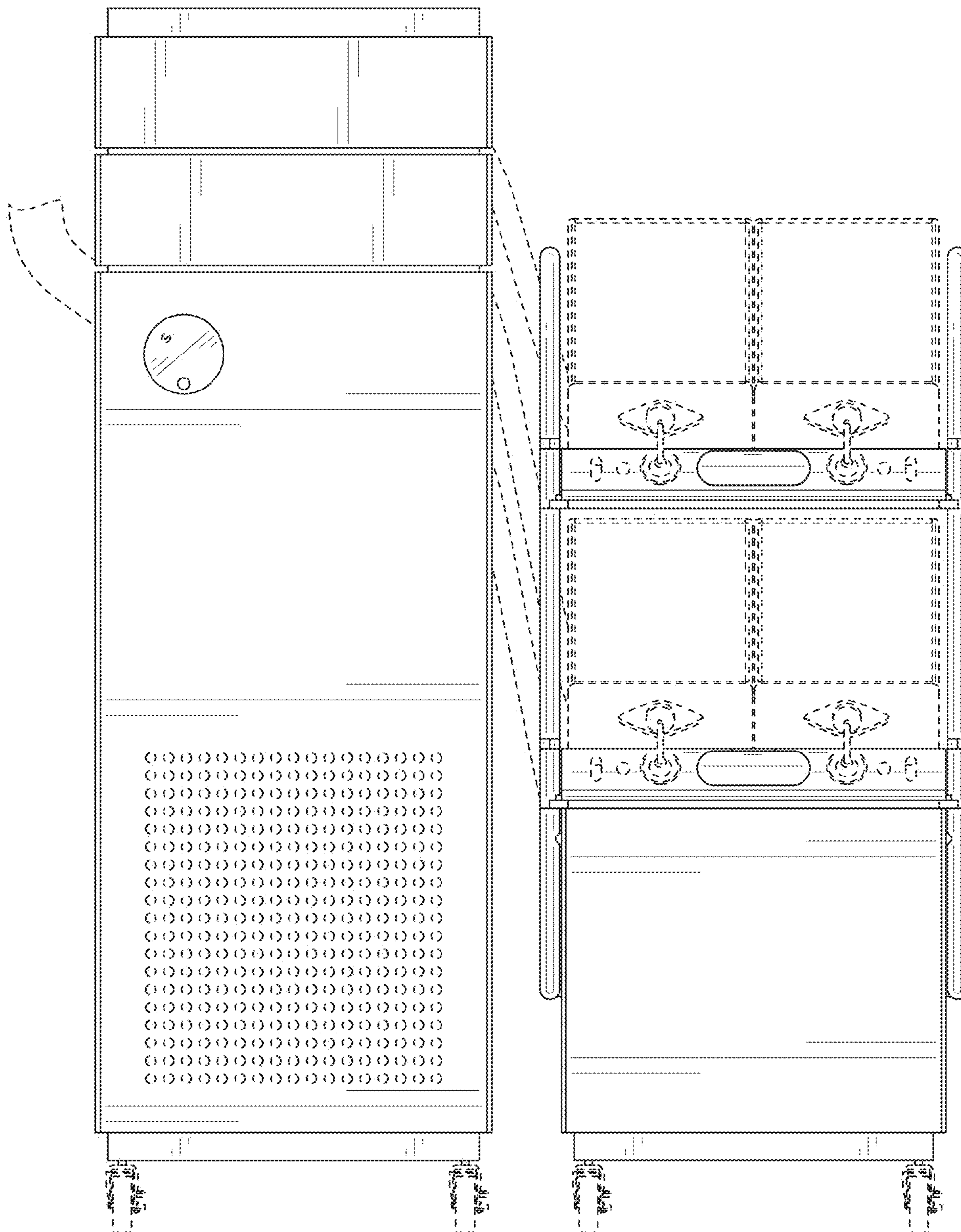


FIG. 9

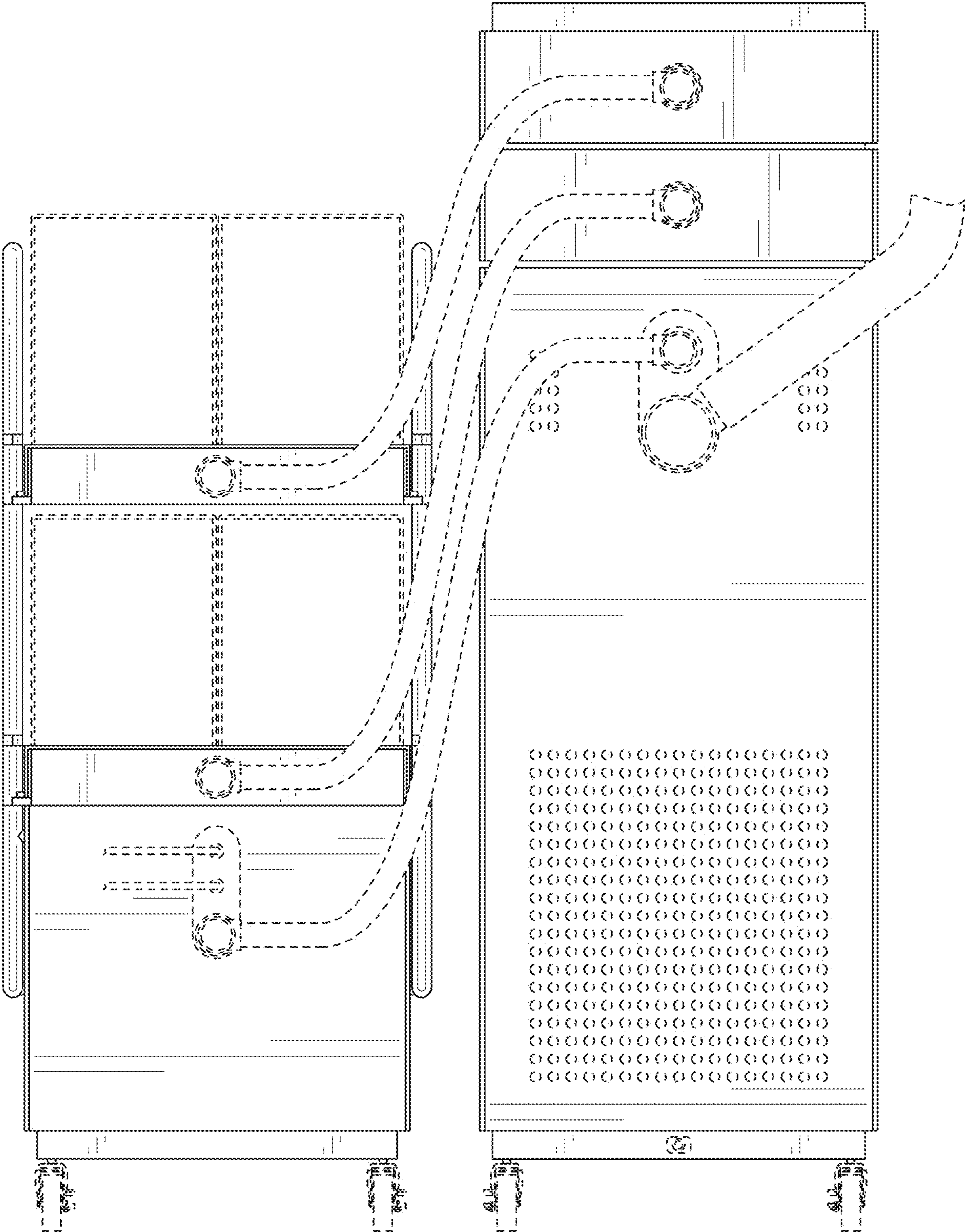


FIG. 10

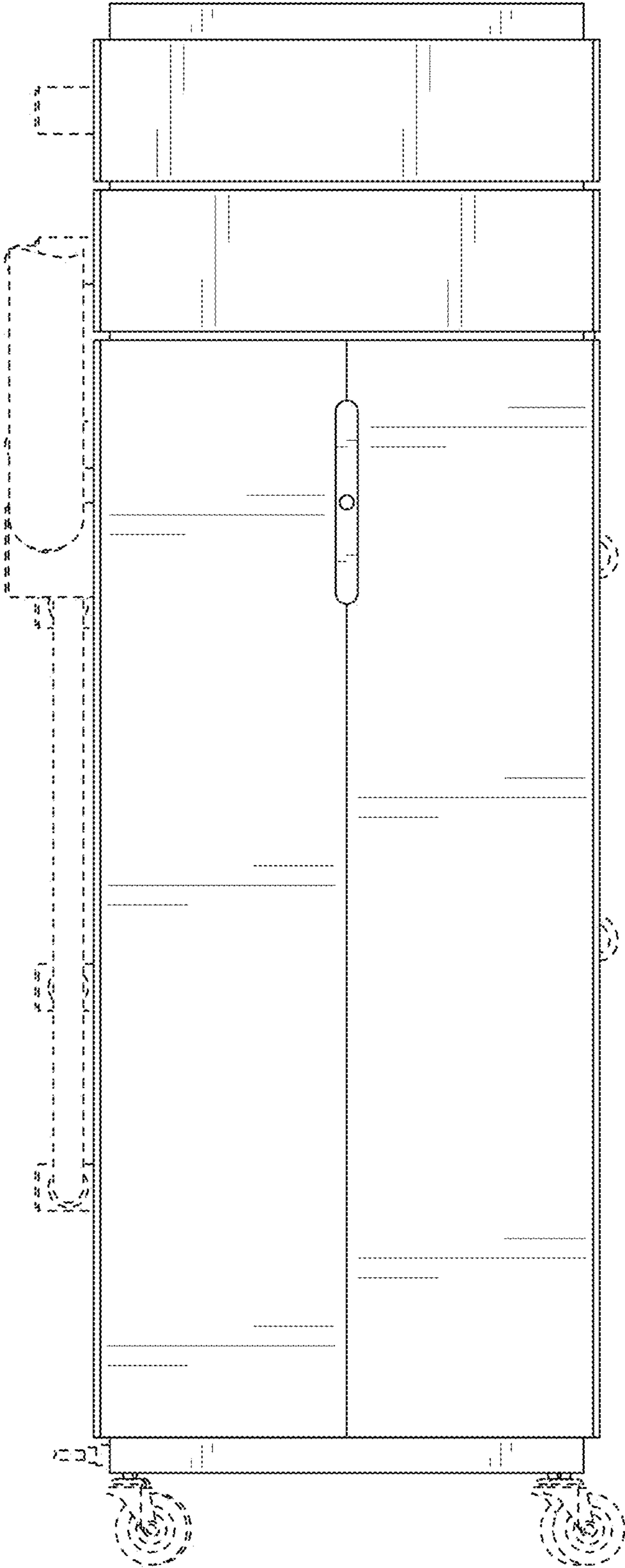


FIG. 11

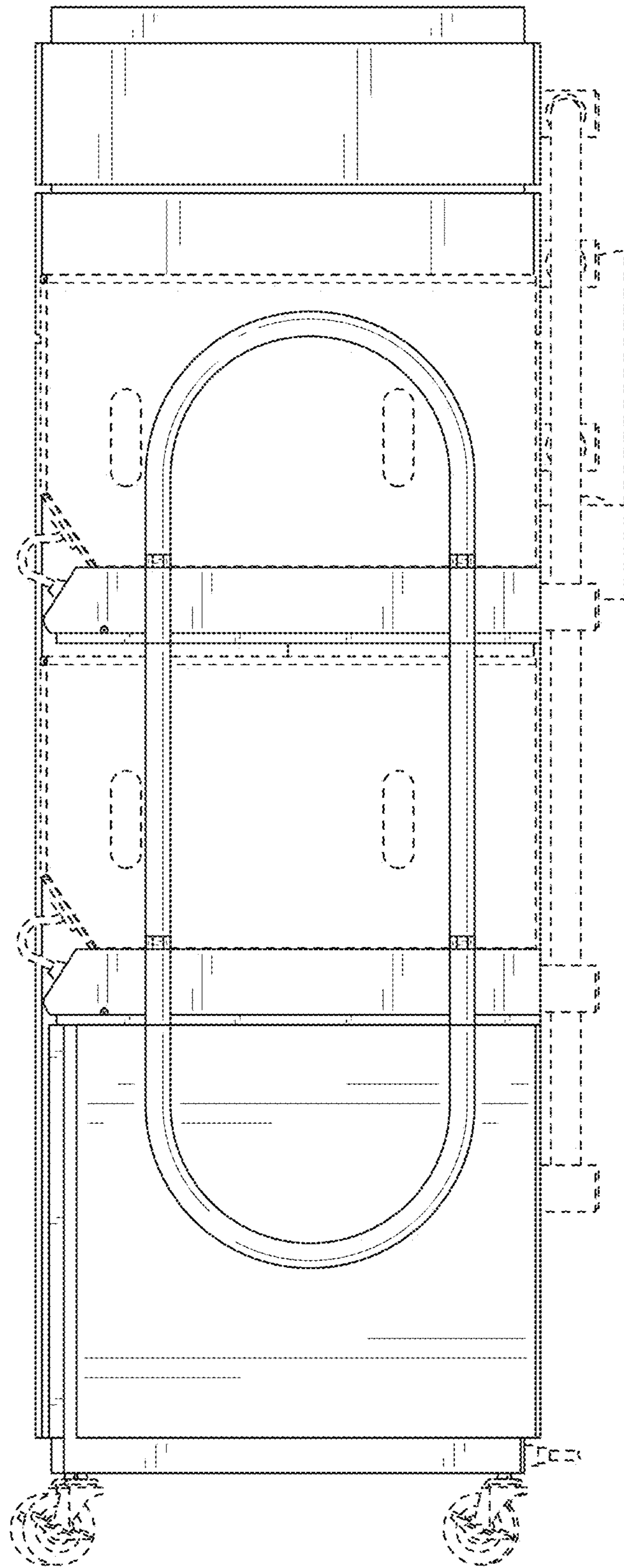


FIG. 12

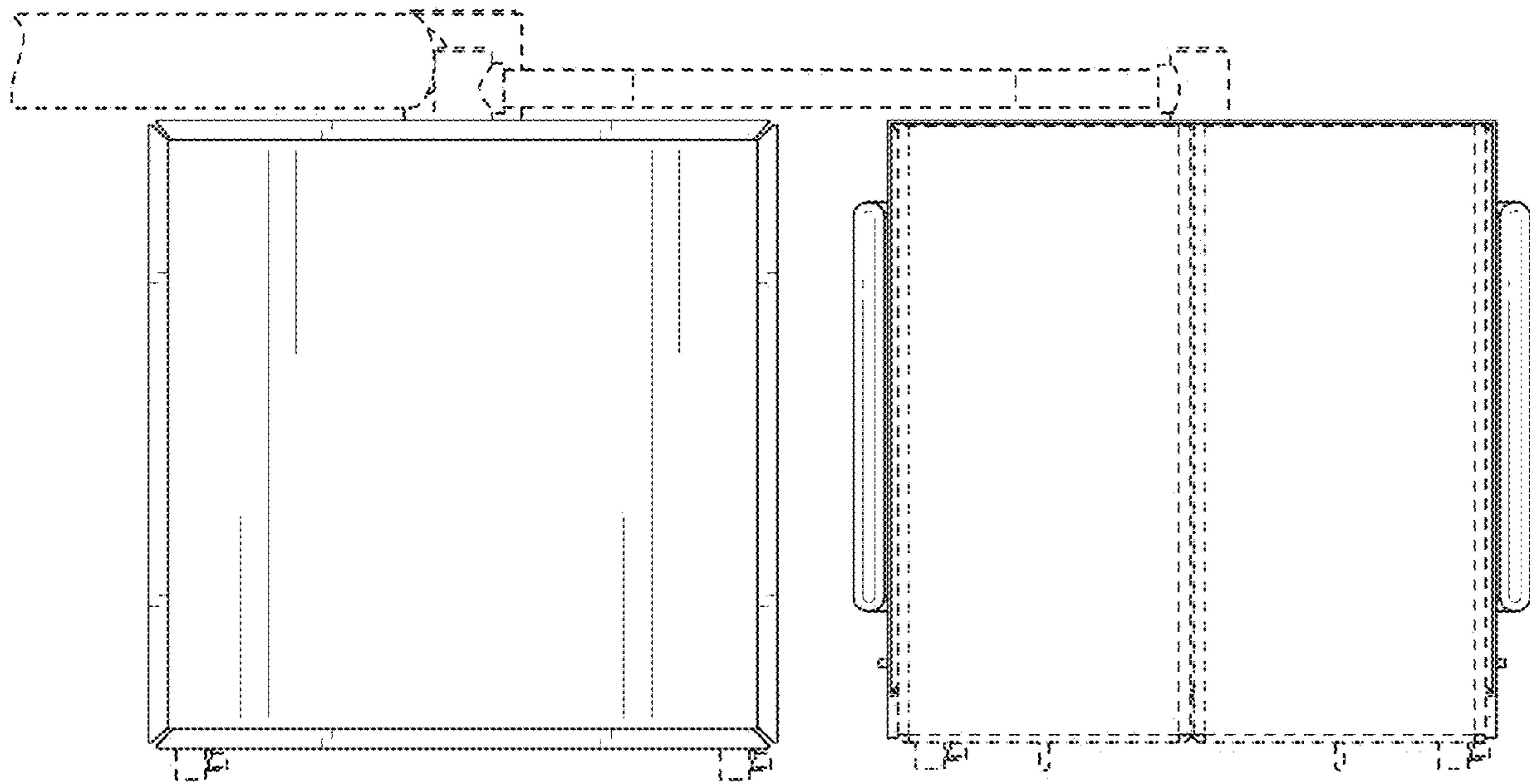


FIG. 13

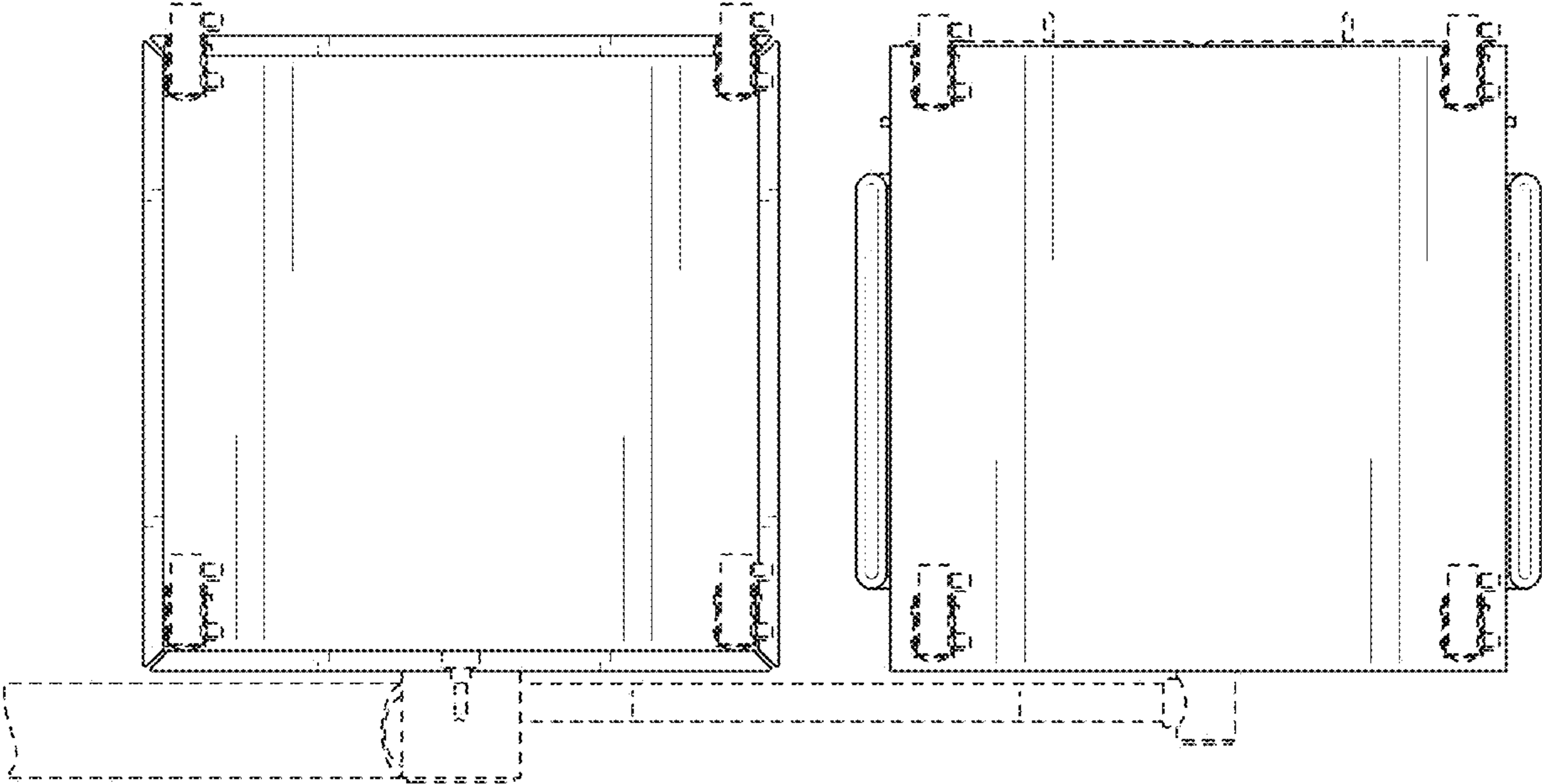


FIG. 14

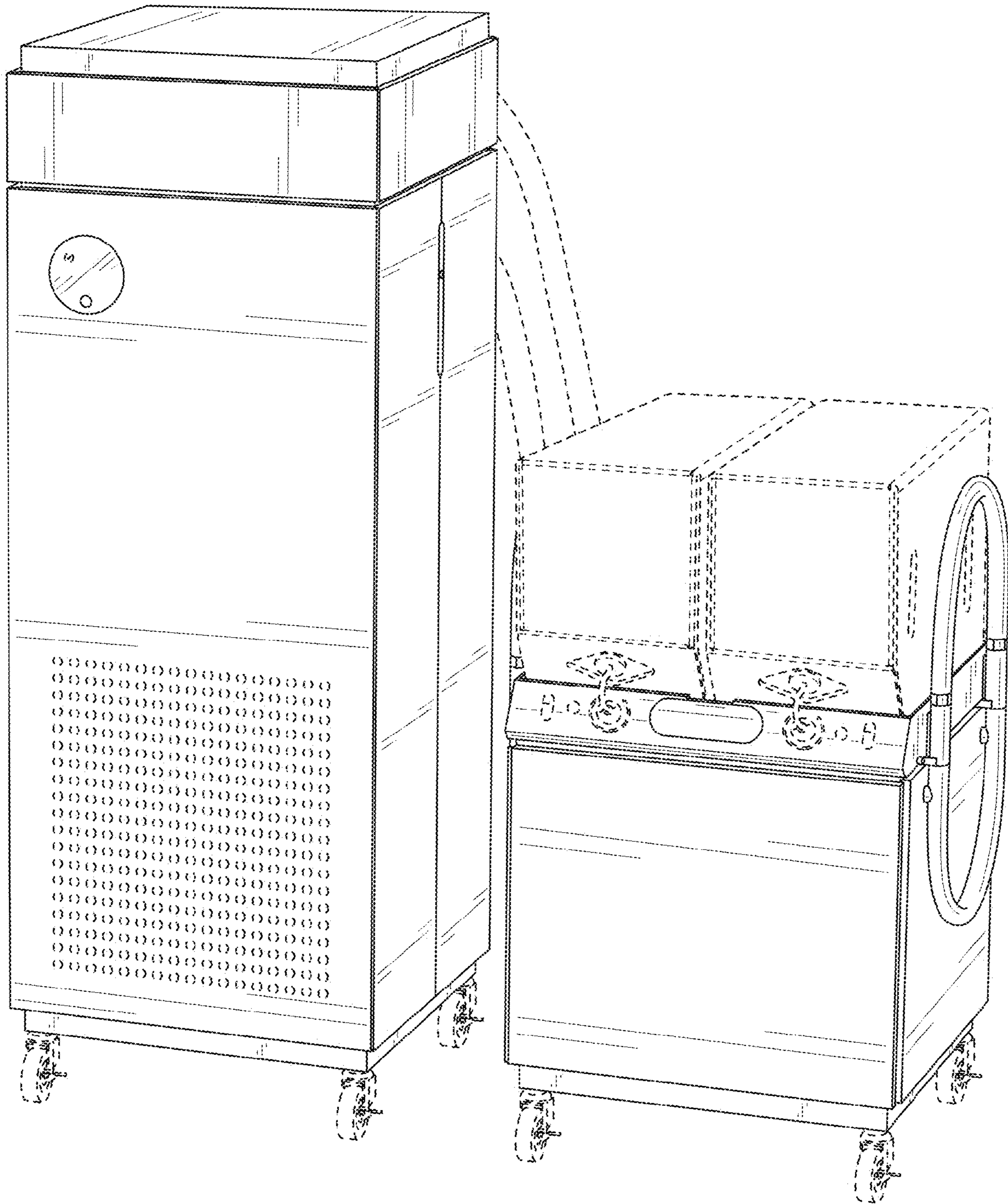


FIG. 15

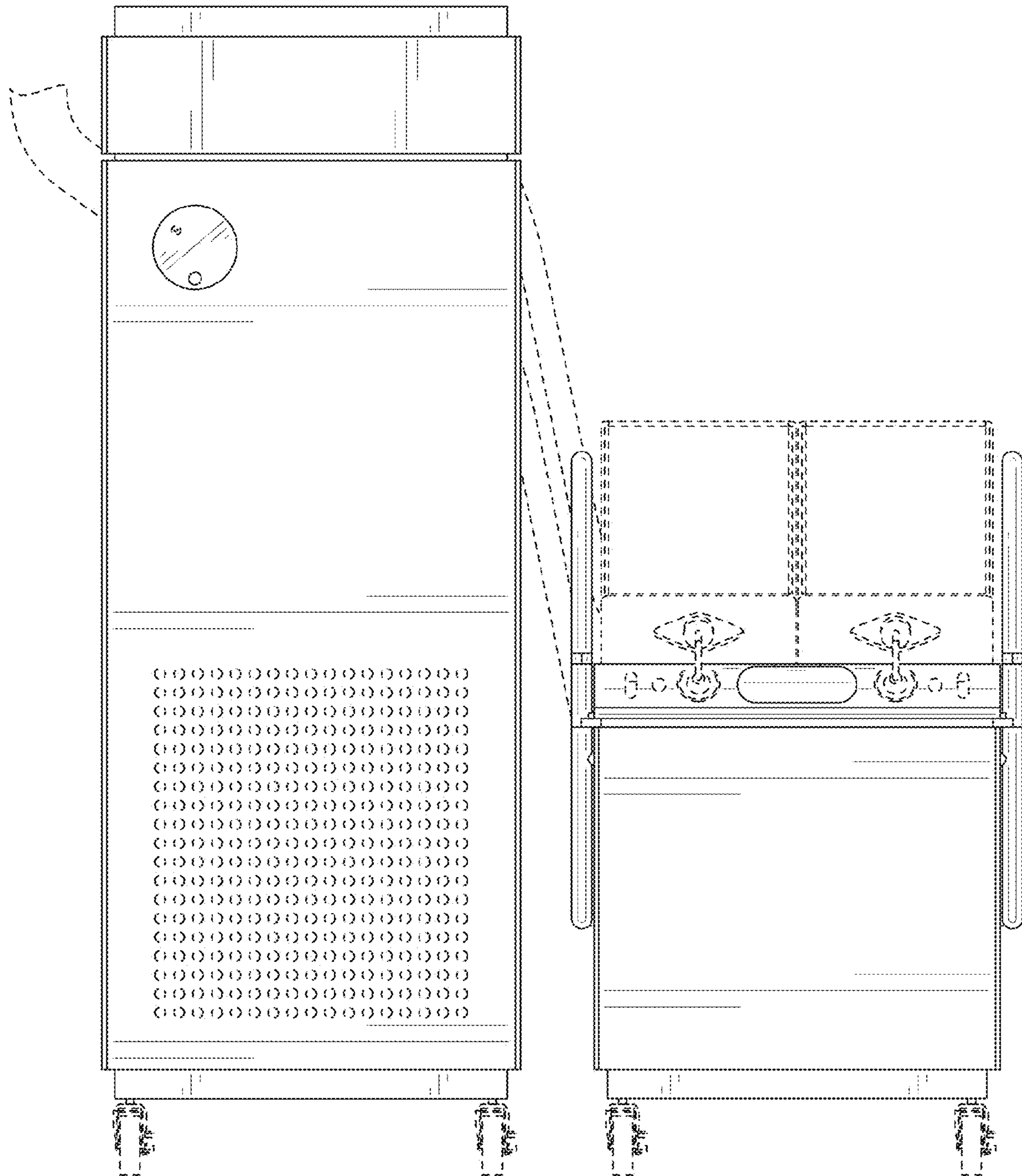


FIG. 16

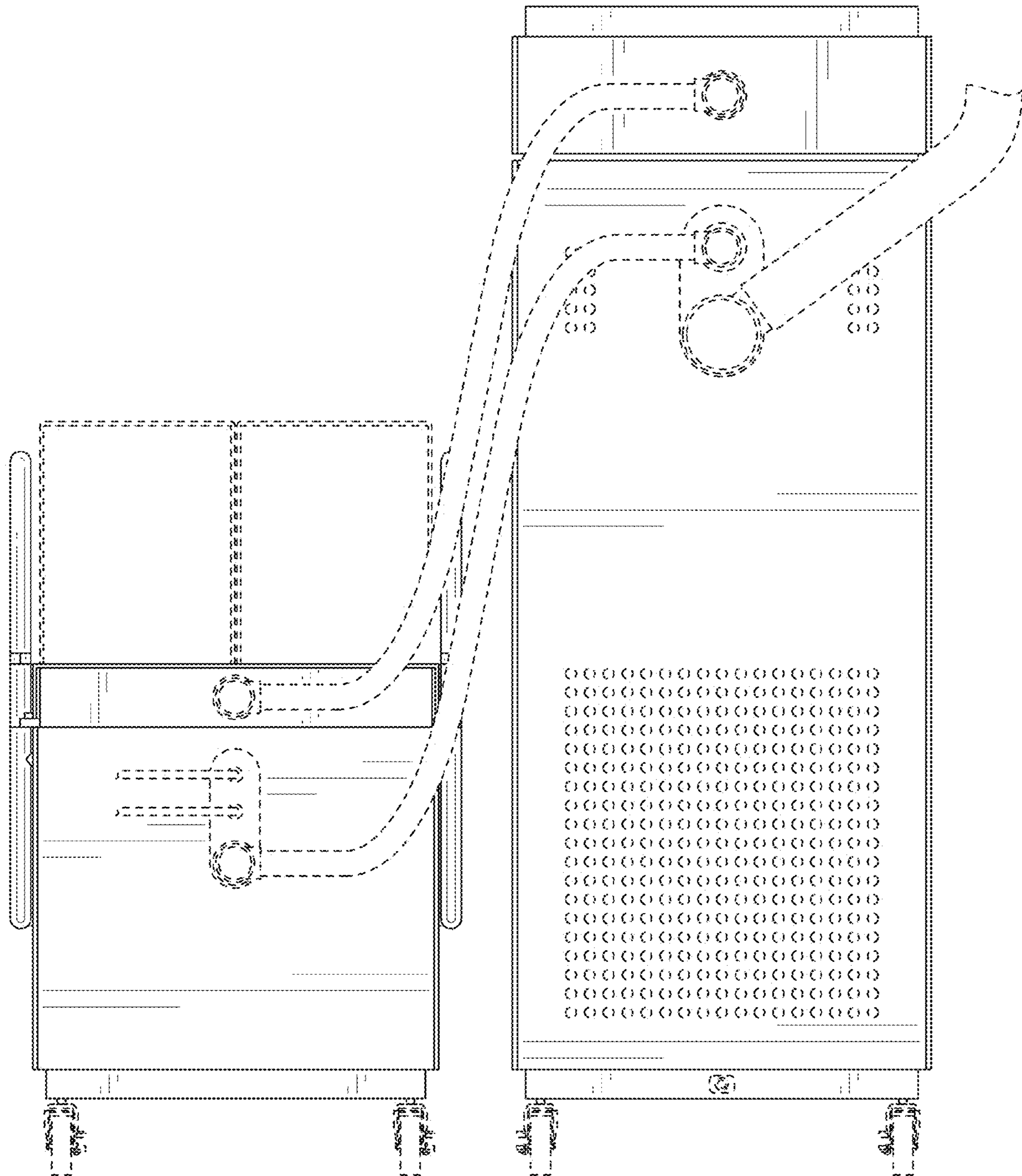


FIG. 17

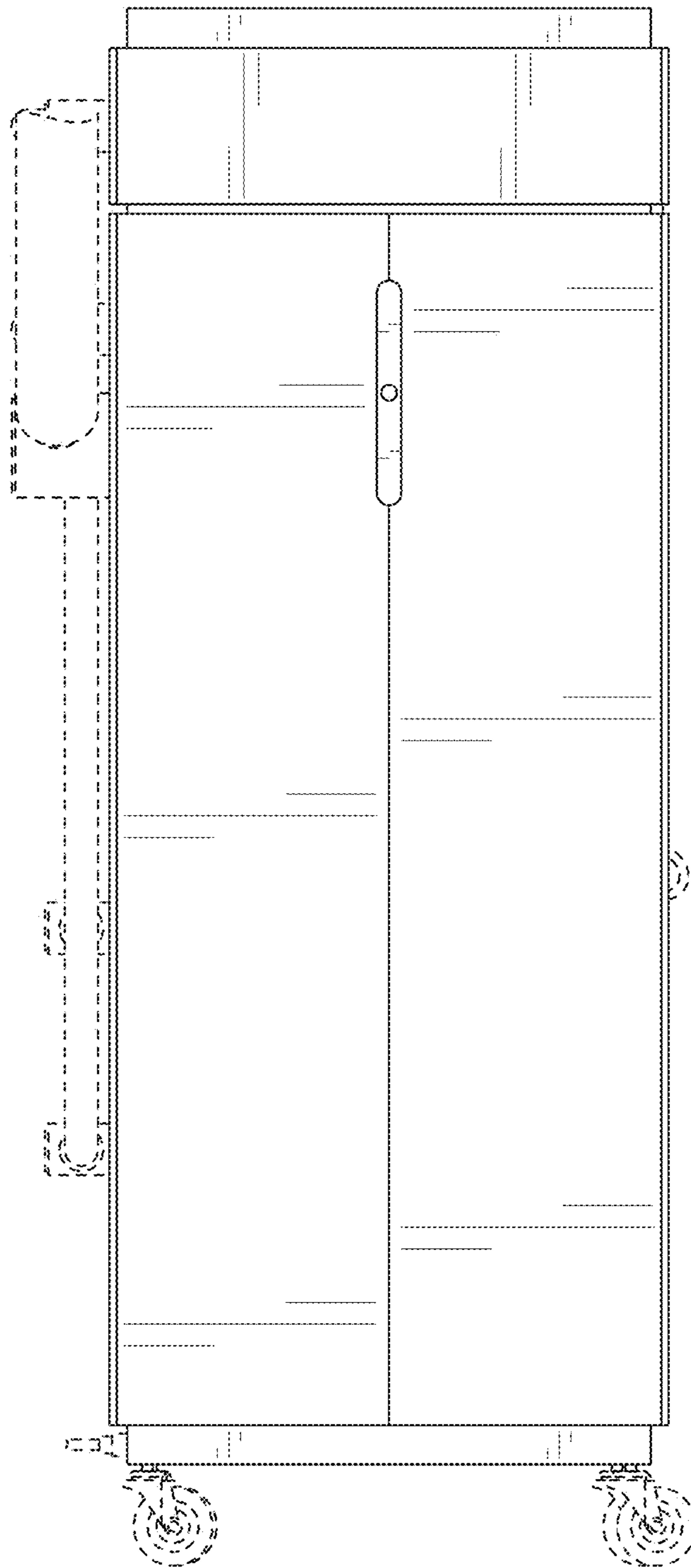


FIG. 18

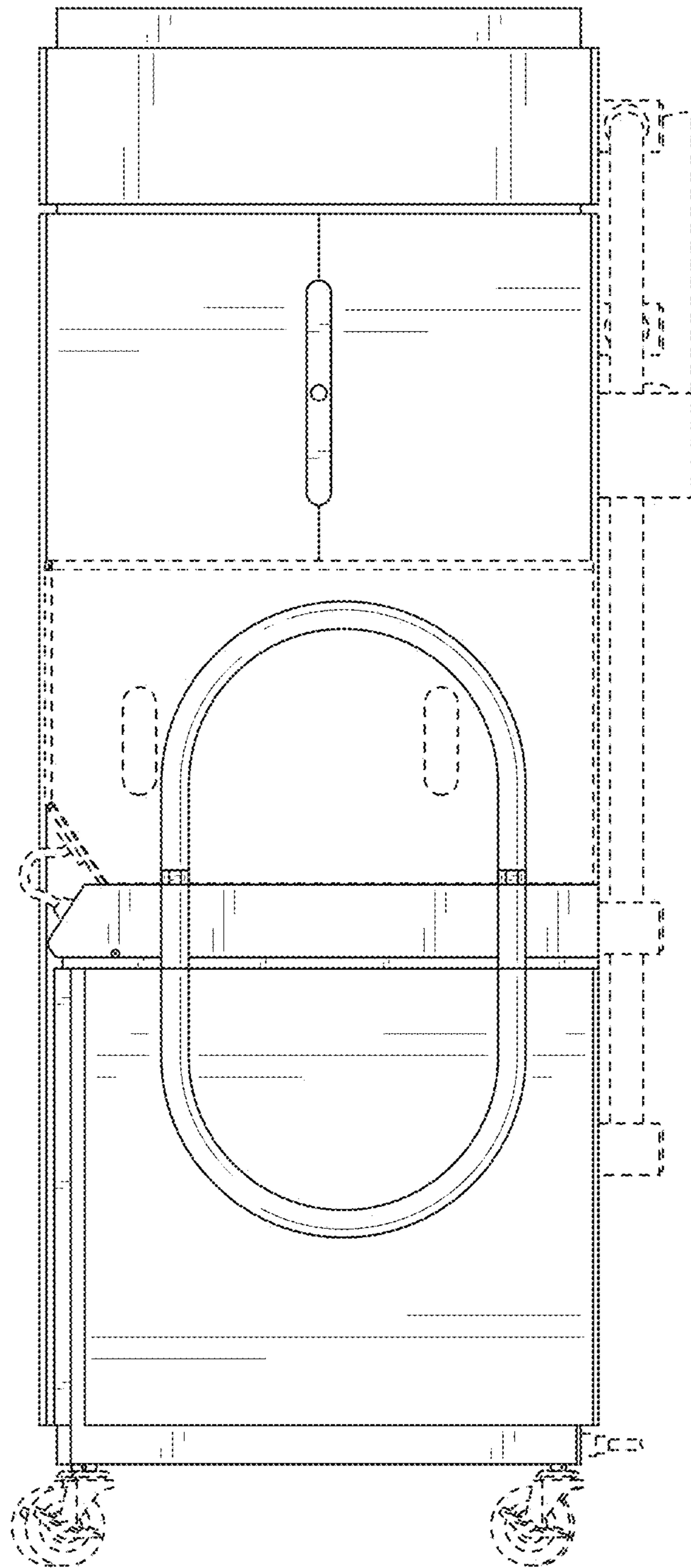


FIG. 19

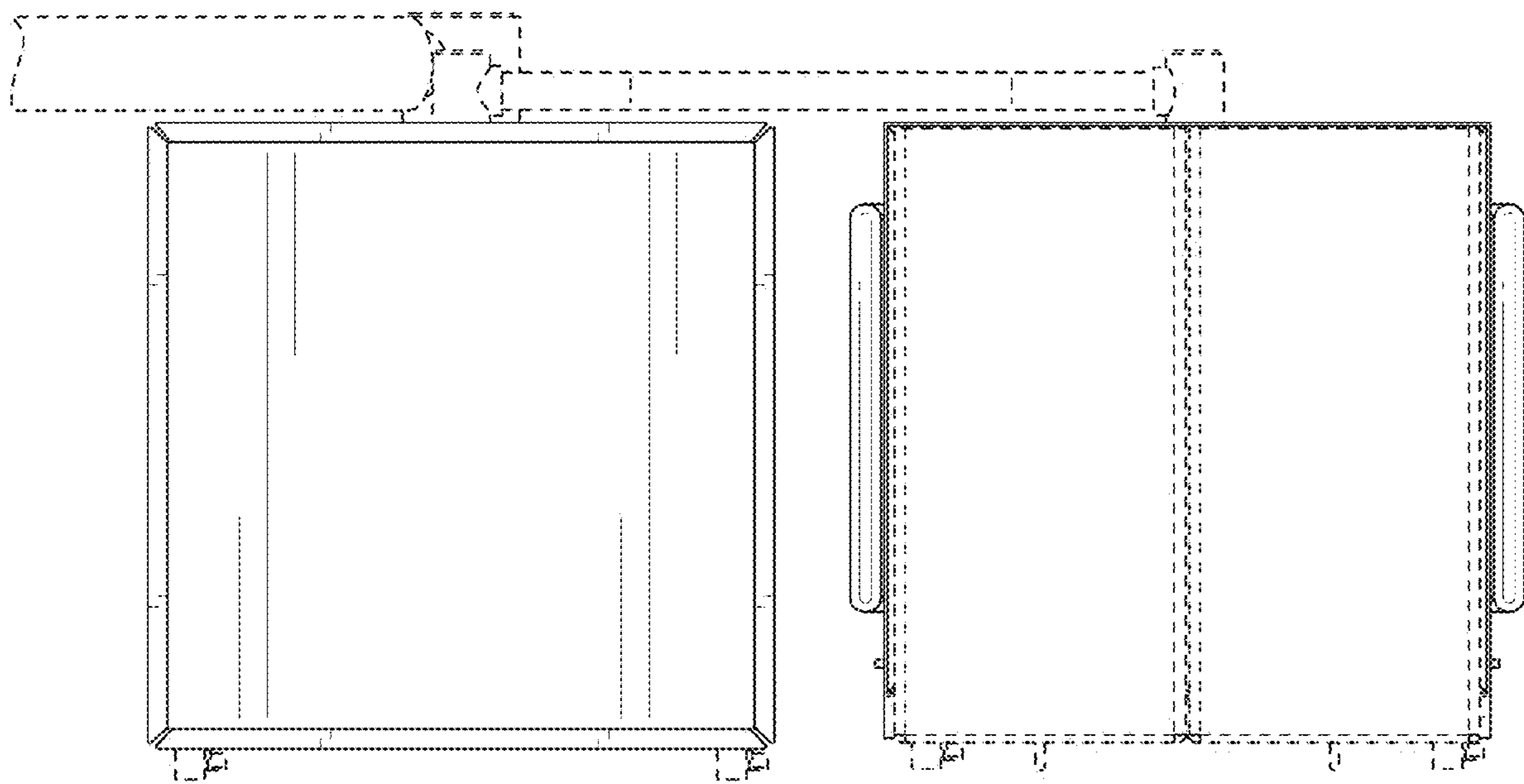


FIG. 20

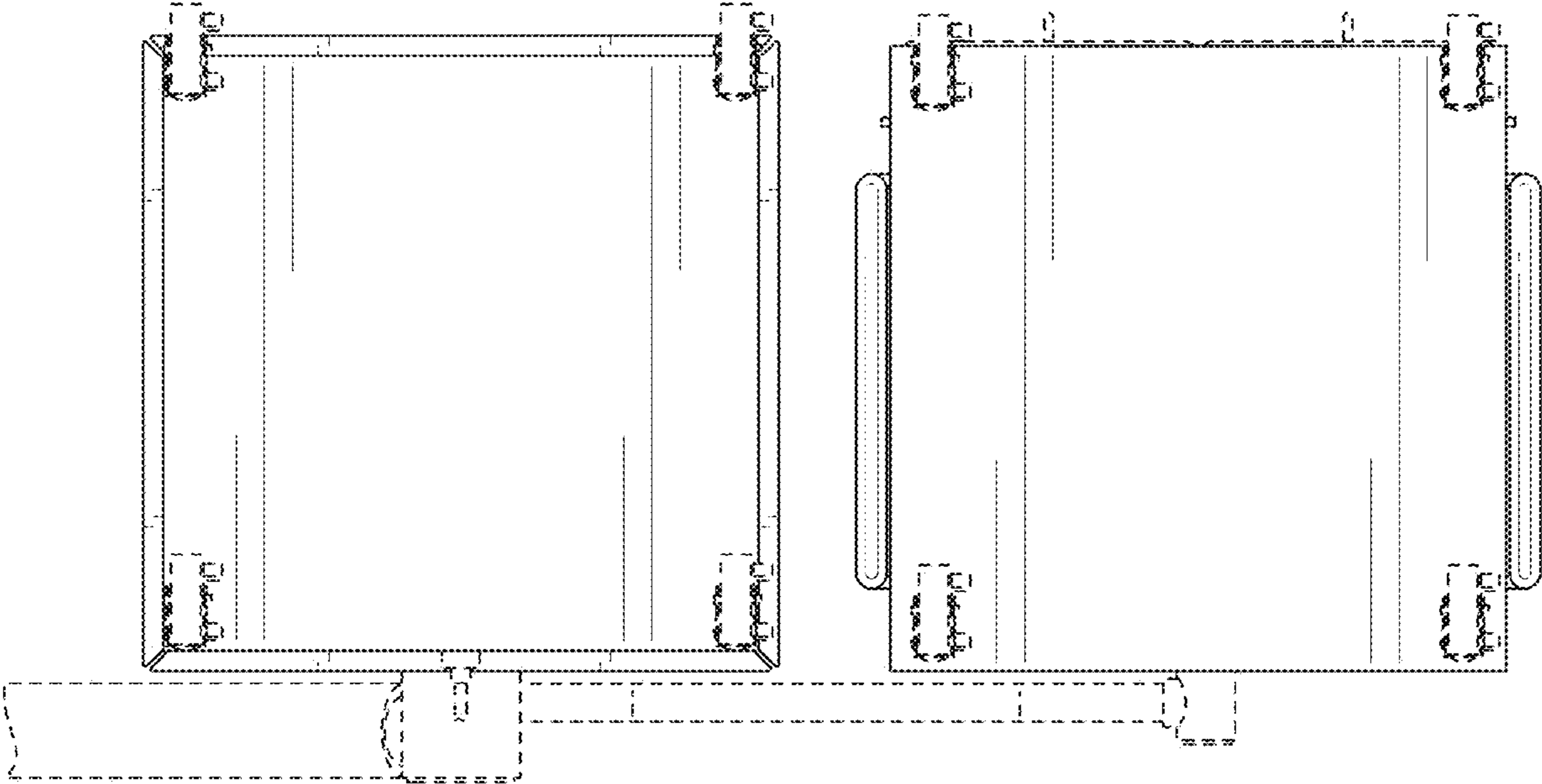


FIG. 21