



US00D909111S

(12) **United States Design Patent** (10) **Patent No.:** **US D909,111 S**
Jan et al. (45) **Date of Patent:** **** Feb. 2, 2021**

(54) **PART OF PEDICURE FOOT SPA MASSAGE CHAIR**

(71) Applicant: **Foresee Sciencetech Ltd.**, Xiushui Township, Changhua County (TW)

(72) Inventors: **Danny Jan**, Xiushui Township (TW); **Cheng-Hsiung Chang**, Xiushui Township (TW)

(73) Assignee: **Foresee Sciencetech Ltd.**, Xiushui Township (TW)

(**) Term: **15 Years**

(21) Appl. No.: **29/707,318**

(22) Filed: **Sep. 27, 2019**

(51) **LOC (13) Cl.** **06-06**

(52) **U.S. Cl.**
USPC **D6/716; D6/338**

(58) **Field of Classification Search**
USPC **D6/334-336, 338, 371, 373, 376, D6/379-382, 716, 716.1, 716.2, 716.4, D6/708.16**

CPC **A61H 2201/0149; A61H 2205/081; A61G 15/00; A61G 15/12; A61G 15/007; A47C 7/38; A47C 1/10; A47C 1/036**

See application file for complete search history.

(56) **References Cited**

U.S. PATENT DOCUMENTS

D400,044 S *	10/1998	Rosenberg	D6/611
D454,705 S *	3/2002	Long	D6/336
D455,017 S *	4/2002	Tran	D6/336
D455,566 S *	4/2002	Park	D6/336
D463,172 S *	9/2002	Tsai	D6/366
D505,021 S *	5/2005	Kim	D6/336
D562,575 S *	2/2008	Le	D6/336
D564,099 S *	3/2008	Ton	D24/204
D574,502 S *	8/2008	Ton	D24/204

D576,806 S *	9/2008	Le	D6/336
D576,807 S *	9/2008	Le	D6/336
D591,963 S *	5/2009	Lifeng	D6/336
D600,926 S *	9/2009	Le	D6/336
D610,362 S *	2/2010	Choi	D6/367
D619,727 S *	7/2010	Le	D24/204
D620,126 S *	7/2010	Le	D24/204
D620,720 S *	8/2010	Wang	D6/336
D622,858 S *	8/2010	Jan	D24/204
D624,761 S *	10/2010	Le	D6/336
D627,175 S *	11/2010	Chan	D6/367
D644,847 S *	9/2011	Nguyen	D6/336
D655,096 S *	3/2012	Shindou	D6/356
D661,522 S *	6/2012	Ping	D6/716
D671,774 S *	12/2012	Ping	D6/716.4
D703,964 S *	5/2014	Gagnon	D6/356

(Continued)

FOREIGN PATENT DOCUMENTS

CN 305683058 * 4/2020

Primary Examiner — W. A. Teddy Falloway

(74) *Attorney, Agent, or Firm* — Alan D. Kamrath; Karin L. Williams; Mayer & Williams PC

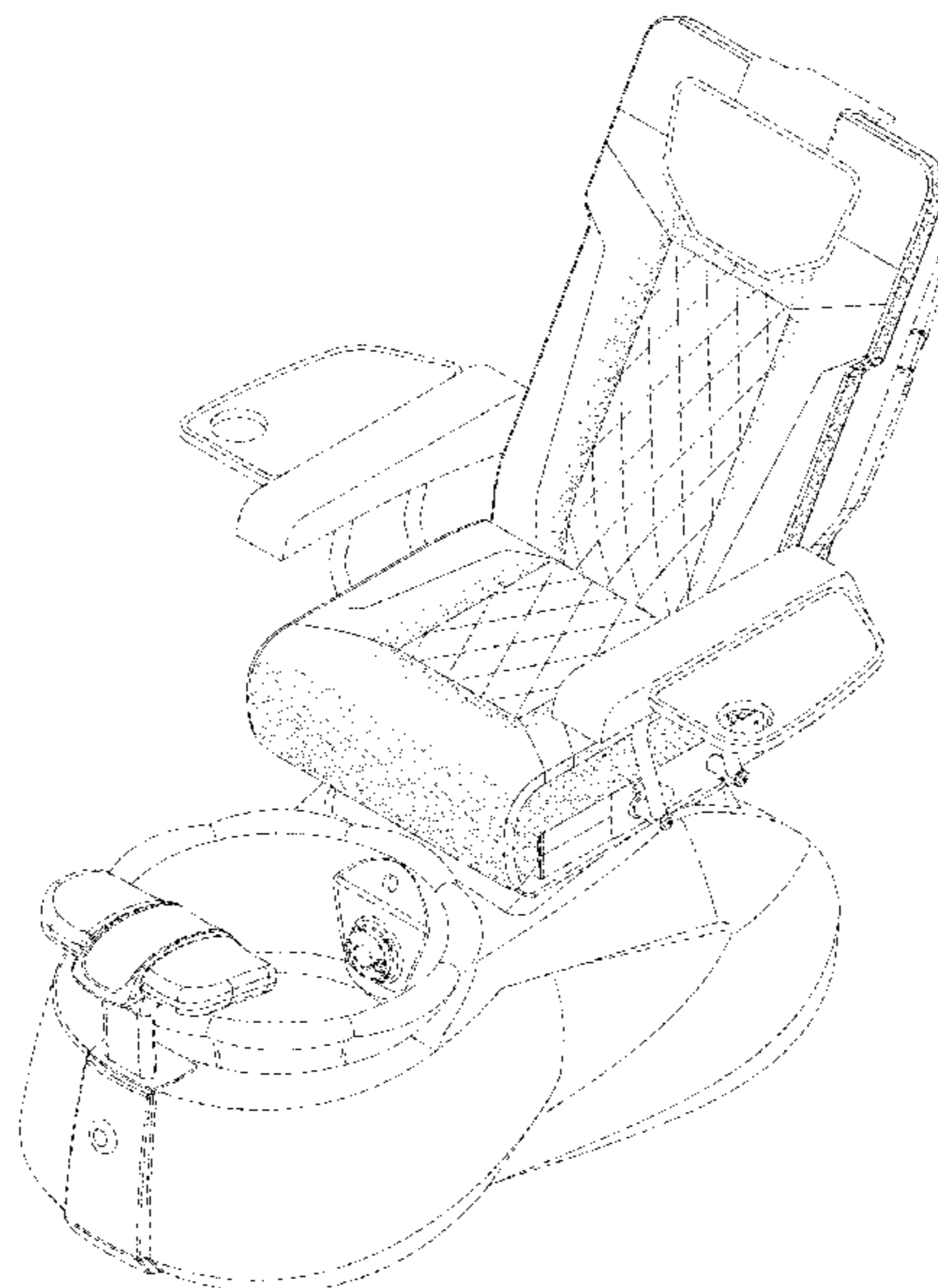
(57) **CLAIM**

The ornamental design for a part of pedicure foot spa massage chair, as shown and described.

DESCRIPTION

FIG. 1 is a perspective view of a part of pedicure foot spa massage chair showing our design; FIG. 2 is a front elevational view thereof; FIG. 3 is a rear elevational view thereof; FIG. 4 is a left side elevational view thereof; FIG. 5 is a right side elevational view thereof; FIG. 6 is a top plan view thereof; and, FIG. 7 is a bottom plan view thereof. The broken lines shown illustrate environment and form no part of the claimed design.

1 Claim, 7 Drawing Sheets



(56)

References Cited

U.S. PATENT DOCUMENTS

D724,855	S *	3/2015	Kim	D6/336
D730,072	S *	5/2015	Sakai	D6/367
D736,395	S *	8/2015	Kim	D24/204
D761,578	S *	7/2016	Neil	D6/366
D792,724	S *	7/2017	Hemry	D6/716
D792,725	S *	7/2017	Patir	D6/716
D809,812	S *	2/2018	Mao	D6/365
D830,713	S *	10/2018	Iida	D6/356
D852,531	S *	7/2019	Morgan	D6/367
D852,532	S *	7/2019	Morgan	D6/367
D861,361	S *	10/2019	Kumagai	D6/356
D879,524	S *	3/2020	Huang	D6/716
D884,373	S *	5/2020	Carter	D6/356
D891,134	S *	7/2020	Brombacher	D6/356
D894,622	S *	9/2020	Suzuki	D6/356
2004/0060108	A1 *	4/2004	Hoon Park	A61H 35/006 4/622
2013/0019394	A1 *	1/2013	Tran	A47C 15/00 4/590
2014/0150176	A1 *	6/2014	Tran	A61H 33/0087 4/622
2017/0258679	A1 *	9/2017	Drozdov	A47C 1/11
2019/0143856	A1 *	5/2019	O'Hara	B60N 2/646 601/148
2020/0046127	A1 *	2/2020	Levin	A61H 7/00

* cited by examiner

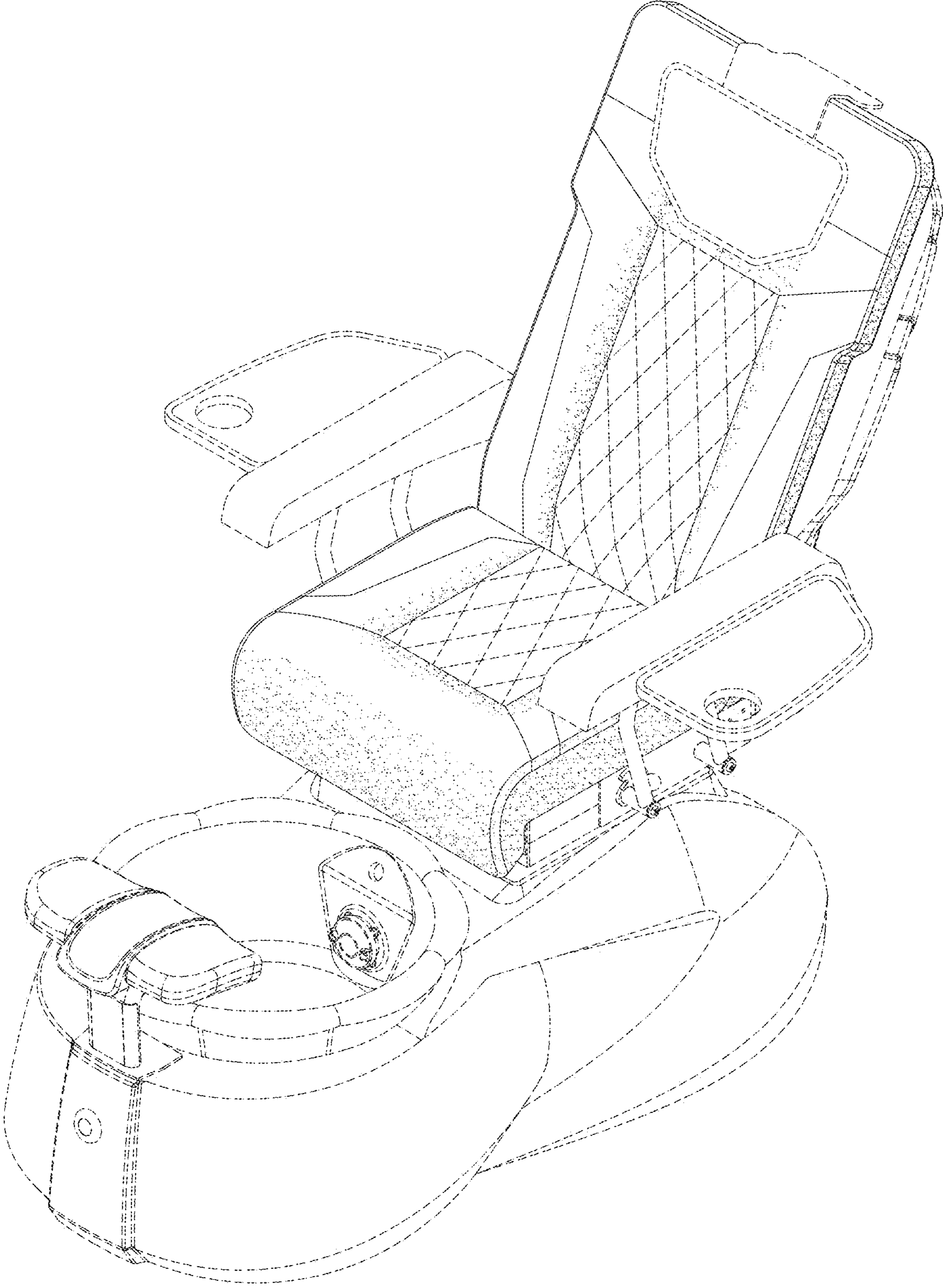


FIG. 1

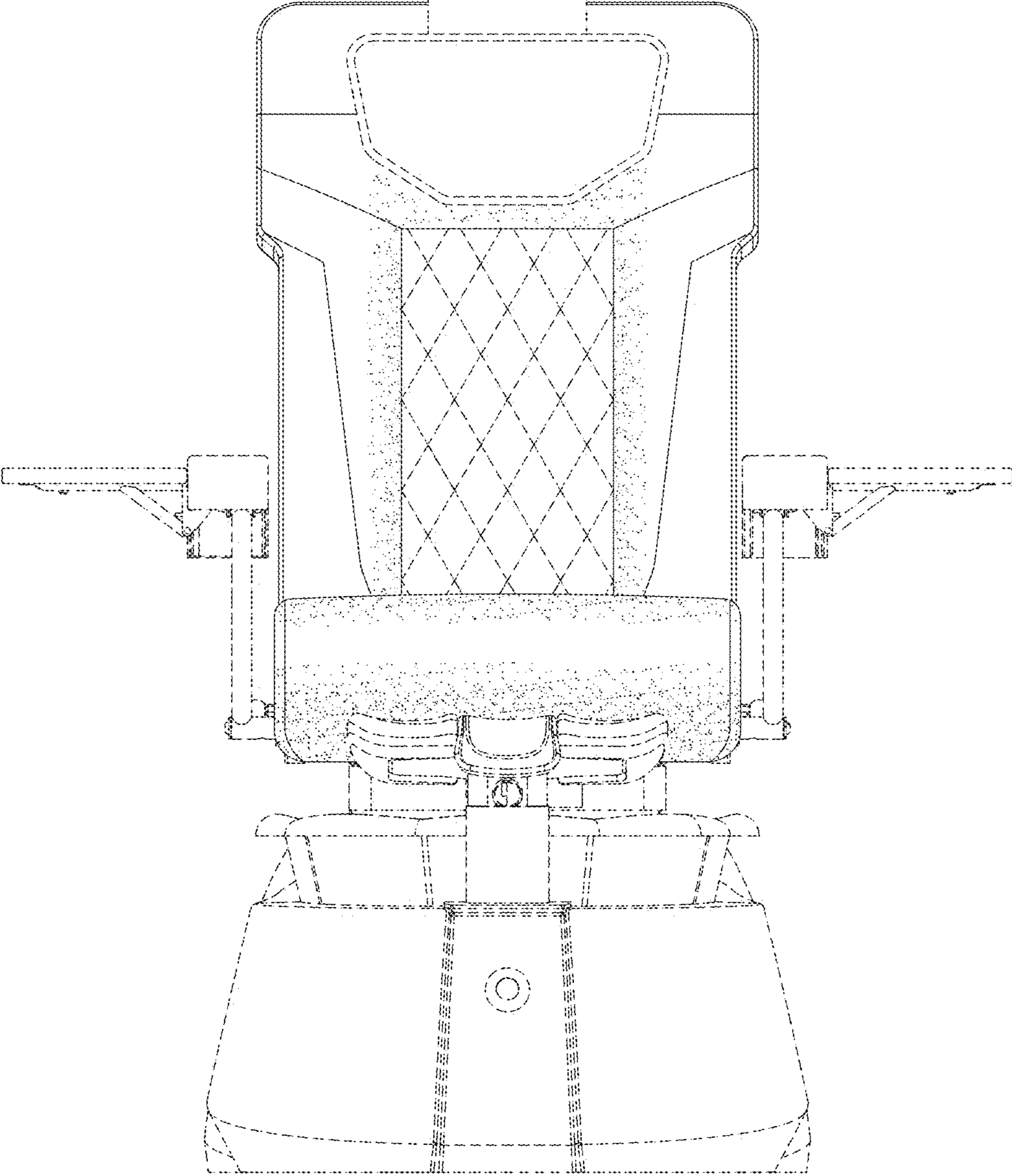


FIG. 2

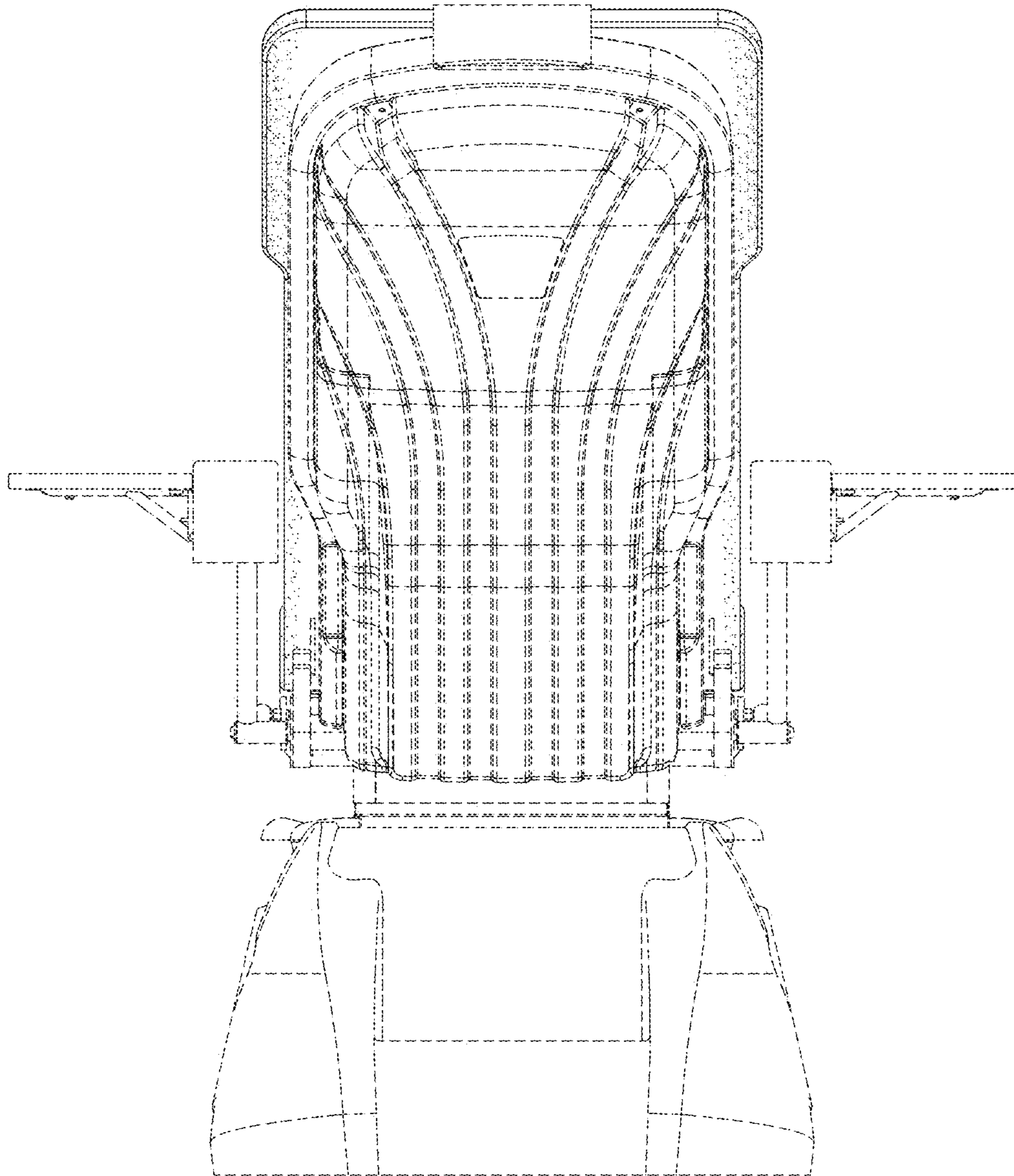


FIG. 3

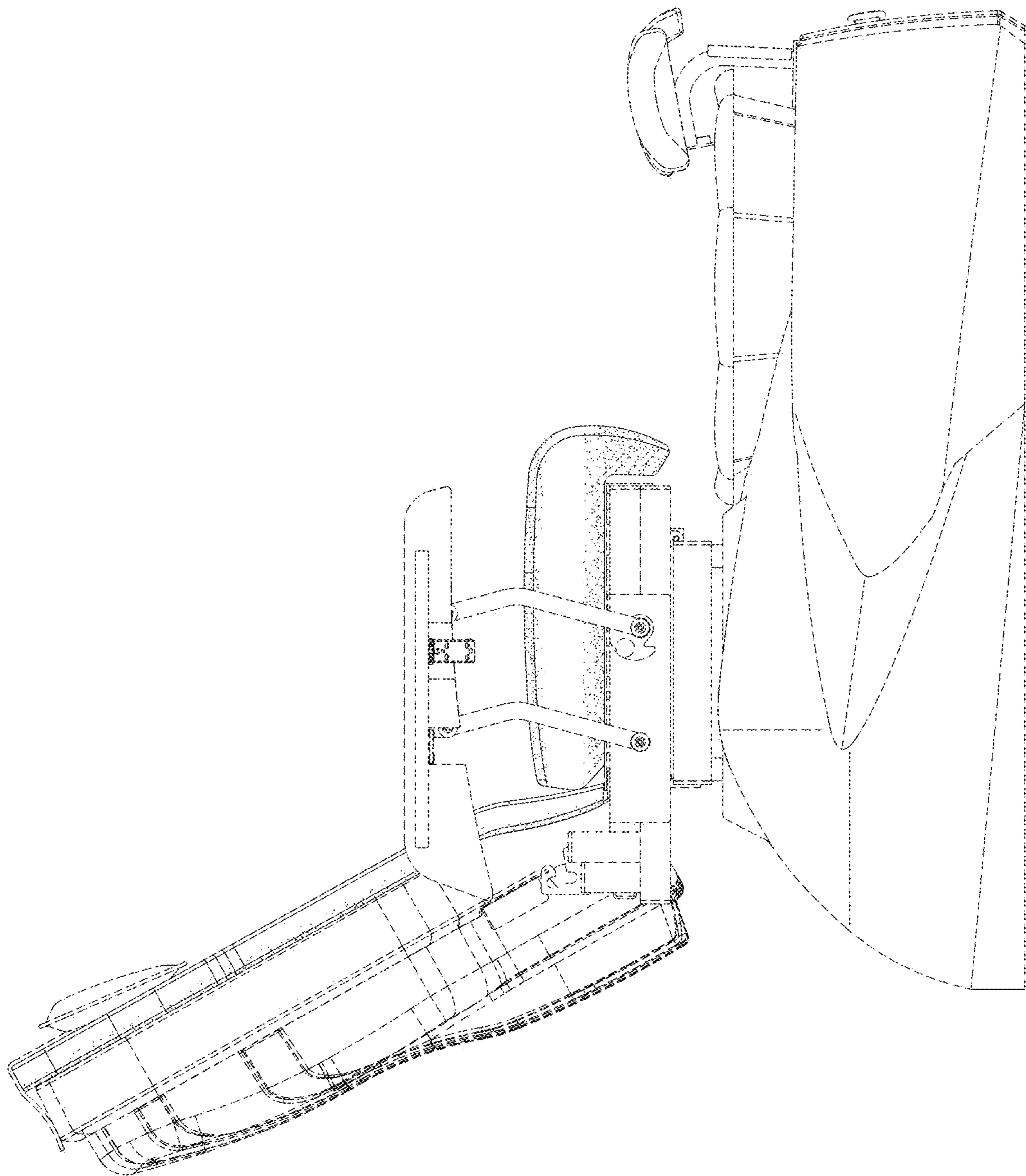


FIG. 4

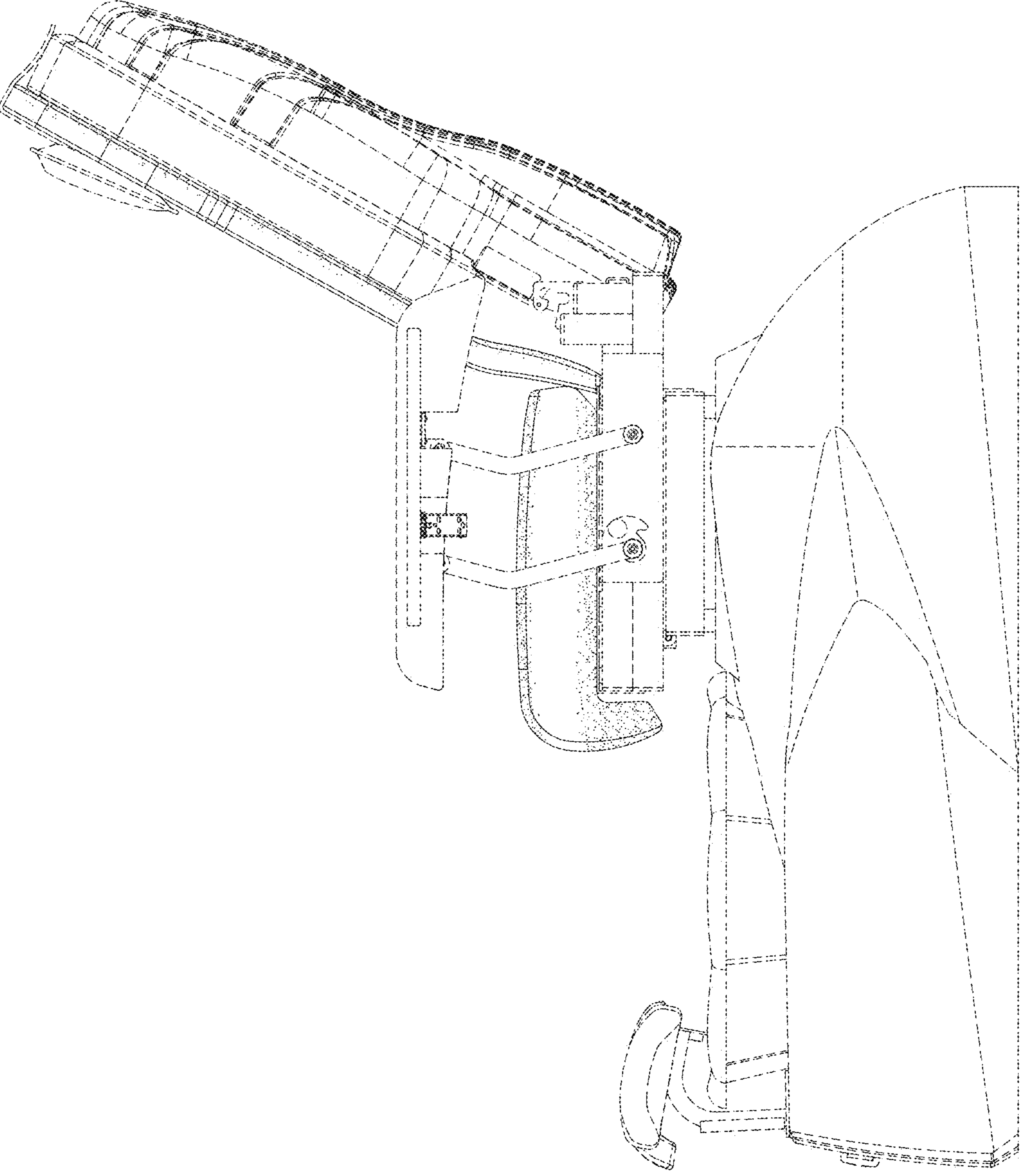


FIG. 5

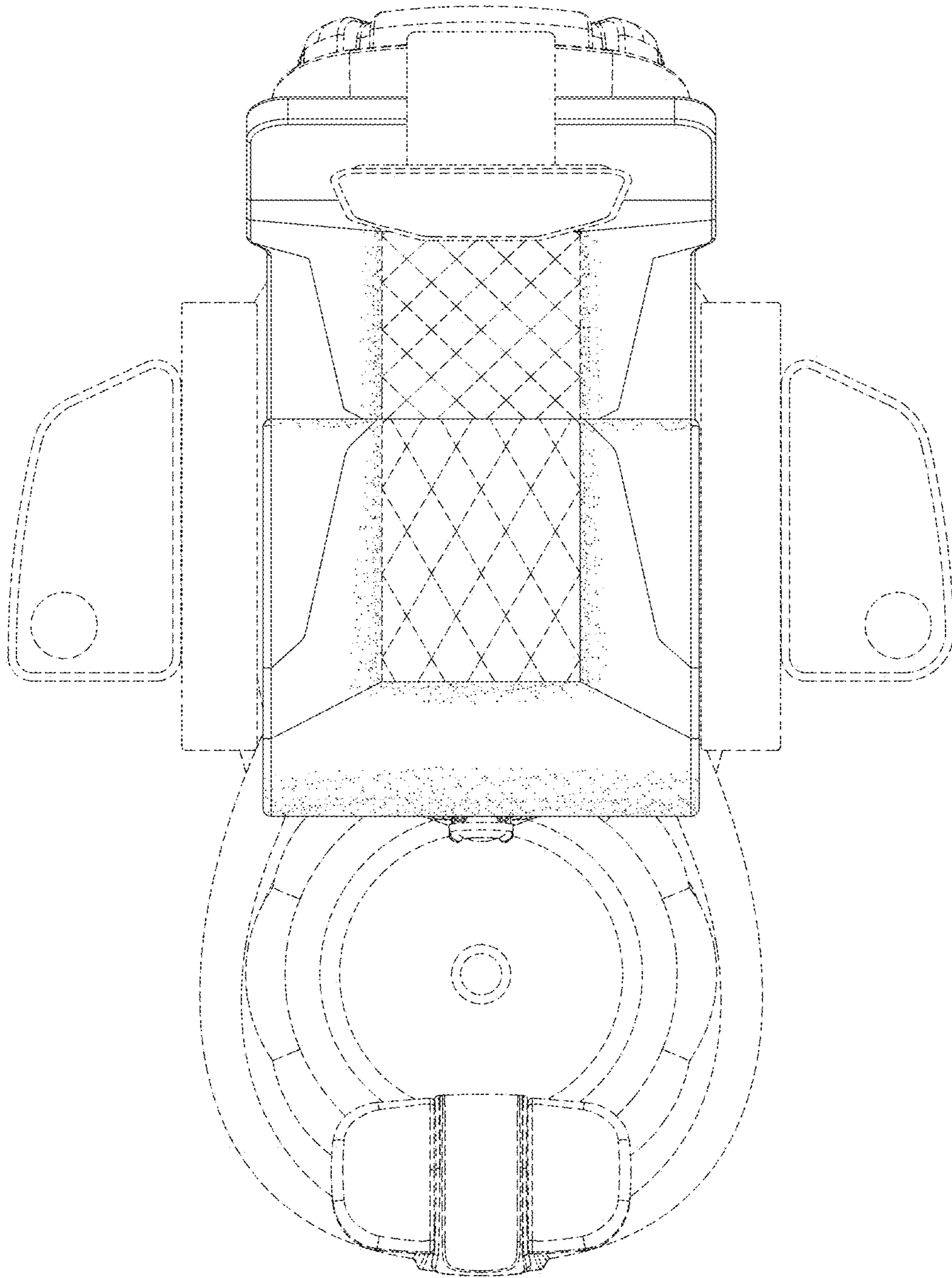


FIG. 6

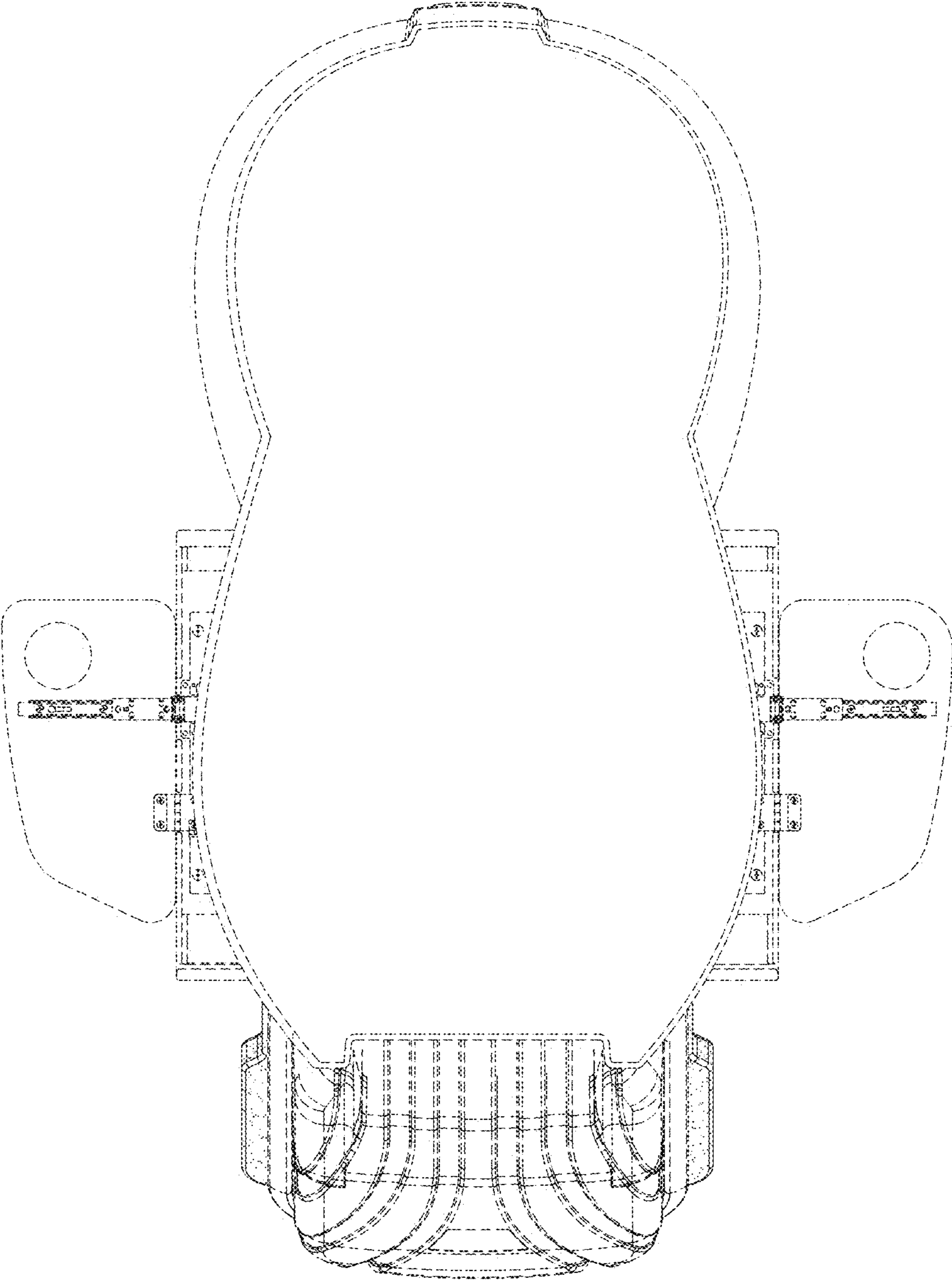


FIG. 7