



US00D909110S

(12) **United States Design Patent** (10) **Patent No.:** **US D909,110 S**  
**Kamler** (45) **Date of Patent:** **\*\* Feb. 2, 2021**

(54) **BED FRAME LEG**  
(71) Applicant: **Reed Kamler**, San Francisco, CA (US)  
(72) Inventor: **Reed Kamler**, San Francisco, CA (US)

(\*\*) Term: **15 Years**  
(21) Appl. No.: **29/682,188**  
(22) Filed: **Mar. 1, 2019**

(51) **LOC (13) Cl.** ..... **06-06**  
(52) **U.S. Cl.**  
USPC ..... **D6/709**

(58) **Field of Classification Search**  
USPC ..... D6/382-384, 393-395, 709, 718  
CPC ..... A47C 19/00; A47C 19/005; A47C 19/021;  
A47C 19/022; A47C 19/025; A47C  
19/04; A47C 23/00; A47C 23/06; A47C  
23/061; A47C 23/062; A47B 13/04  
See application file for complete search history.

(56) **References Cited**

**U.S. PATENT DOCUMENTS**

2,203,780 A \* 6/1940 Gatz ..... A47B 25/003  
248/165  
2,657,964 A \* 11/1953 Watrous ..... A47B 13/06  
108/157.17  
4,300,455 A \* 11/1981 Ornati ..... A47B 13/04  
108/156  
6,174,116 B1 \* 1/2001 Brand ..... B60P 7/14  
410/121  
6,619,601 B1 \* 9/2003 Vall ..... A47B 13/02  
108/158.12  
D488,938 S \* 4/2004 DiPersia ..... D6/709  
D657,150 S 4/2012 Hughes  
D658,412 S 5/2012 Hoyord  
8,359,985 B2 \* 1/2013 Wangdak ..... A47B 47/042  
108/158.12

9,556,605 B2 \* 1/2017 Elliott ..... A63H 33/008  
D810,458 S 2/2018 Cartier  
10,362,879 B2 \* 7/2019 Lee ..... A47C 19/005  
D862,104 S \* 10/2019 Suzuki ..... D6/383  
D862,105 S 10/2019 Liu  
2010/0093257 A1 \* 4/2010 Elliott ..... A47C 4/03  
446/478  
2013/0111662 A1 5/2013 Hayek  
2017/0065091 A1 3/2017 Rodgers  
2017/0071355 A1 3/2017 Oh  
2017/0238715 A1 8/2017 Choi  
2018/0027977 A1 2/2018 Shelby  
2019/0021508 A1 1/2019 Jewett

**OTHER PUBLICATIONS**

Tatami Rice Mats Corner Post, The Futon Favorite, internet archive date of Apr. 7, 2012, site visited Apr. 20, 2020, available online at [https://web.archive.org/web/20120407094407/http://www.futonfavorite.com/tatami-rice-mats\\_8\\_102\\_163.html](https://web.archive.org/web/20120407094407/http://www.futonfavorite.com/tatami-rice-mats_8_102_163.html) (Year: 2012).\*

(Continued)

*Primary Examiner* — Cathron C Brooks  
(74) *Attorney, Agent, or Firm* — Dinsmore & Shohl LLP

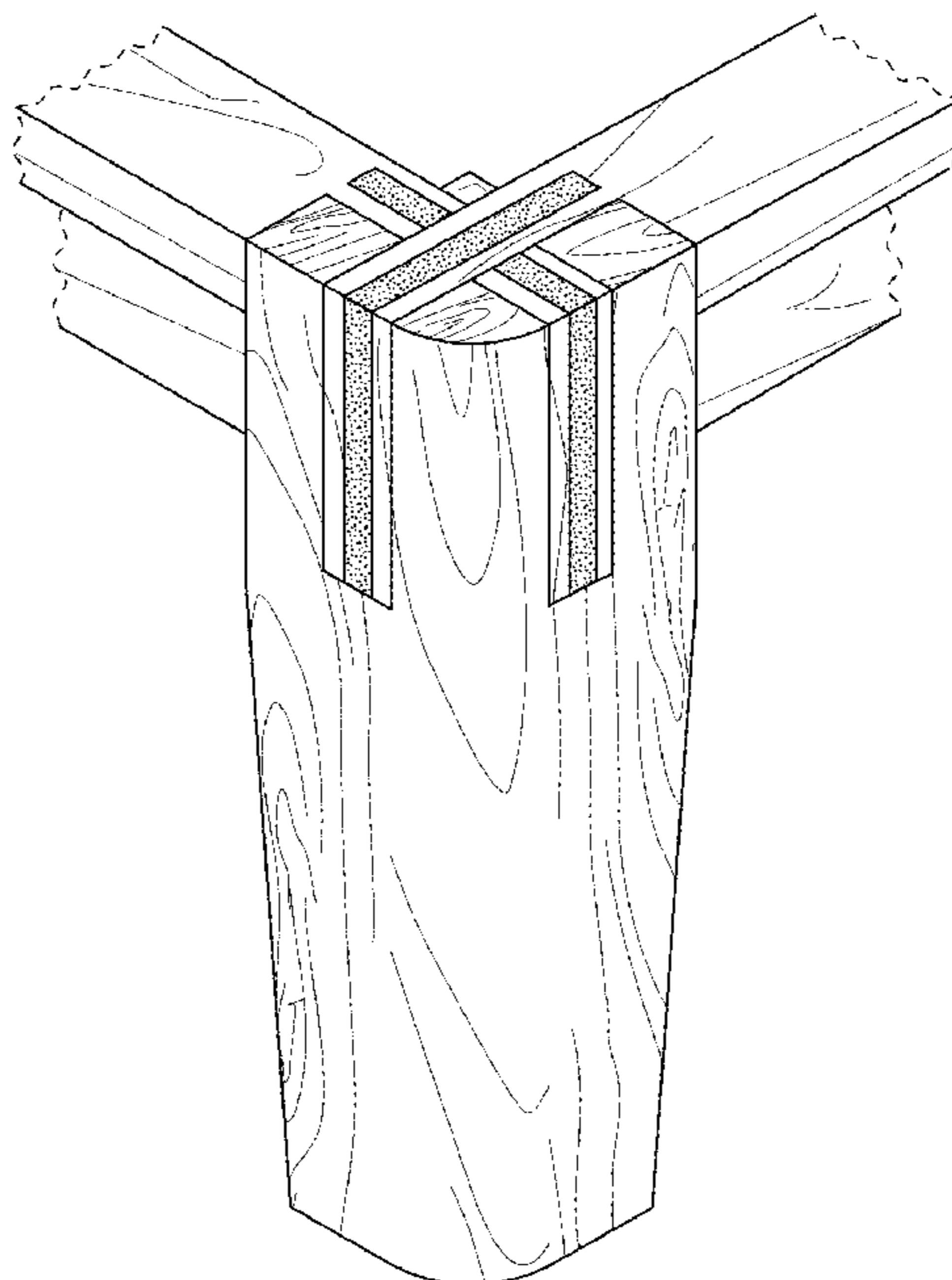
(57) **CLAIM**

I claim the ornamental design for a bed frame leg, as shown and described.

**DESCRIPTION**

FIG. 1 is a front perspective view of a bed frame leg showing my new design;  
FIG. 2 is a front side view thereof;  
FIG. 3 is a rear side view thereof;  
FIG. 4 is a right side view thereof;  
FIG. 5 is a left side view thereof;  
FIG. 6 is a top plan view thereof; and,  
FIG. 7 is a bottom plan view thereof.

**1 Claim, 6 Drawing Sheets**



(56)

**References Cited**

OTHER PUBLICATIONS

Baltic Birch Japanese Tatami Bed, lumberjocks.com, Sep. 6, 2017, site visited Apr. 7, 2020, available online at <https://www.lumberjocks.com/projects/336361> (Year: 2017).\*

DIY Tatami Style Platform Bed, spunjinworks, Aug. 15, 2017, site visited Apr. 20, 2020, available online at <https://spunjinworks.com/2014/08/15/tatami-style-platform-bed/> (Year: 2017).\*

[www.tatamiroom.com/cgi-local/catalog.pl?category+PLATOFORM\\_BEDS](http://www.tatamiroom.com/cgi-local/catalog.pl?category+PLATOFORM_BEDS), Jan. 14, 2018.

Reed Kamler, U.S. Appl. No. 29/682,187, filed Mar. 1, 2019.

\* cited by examiner

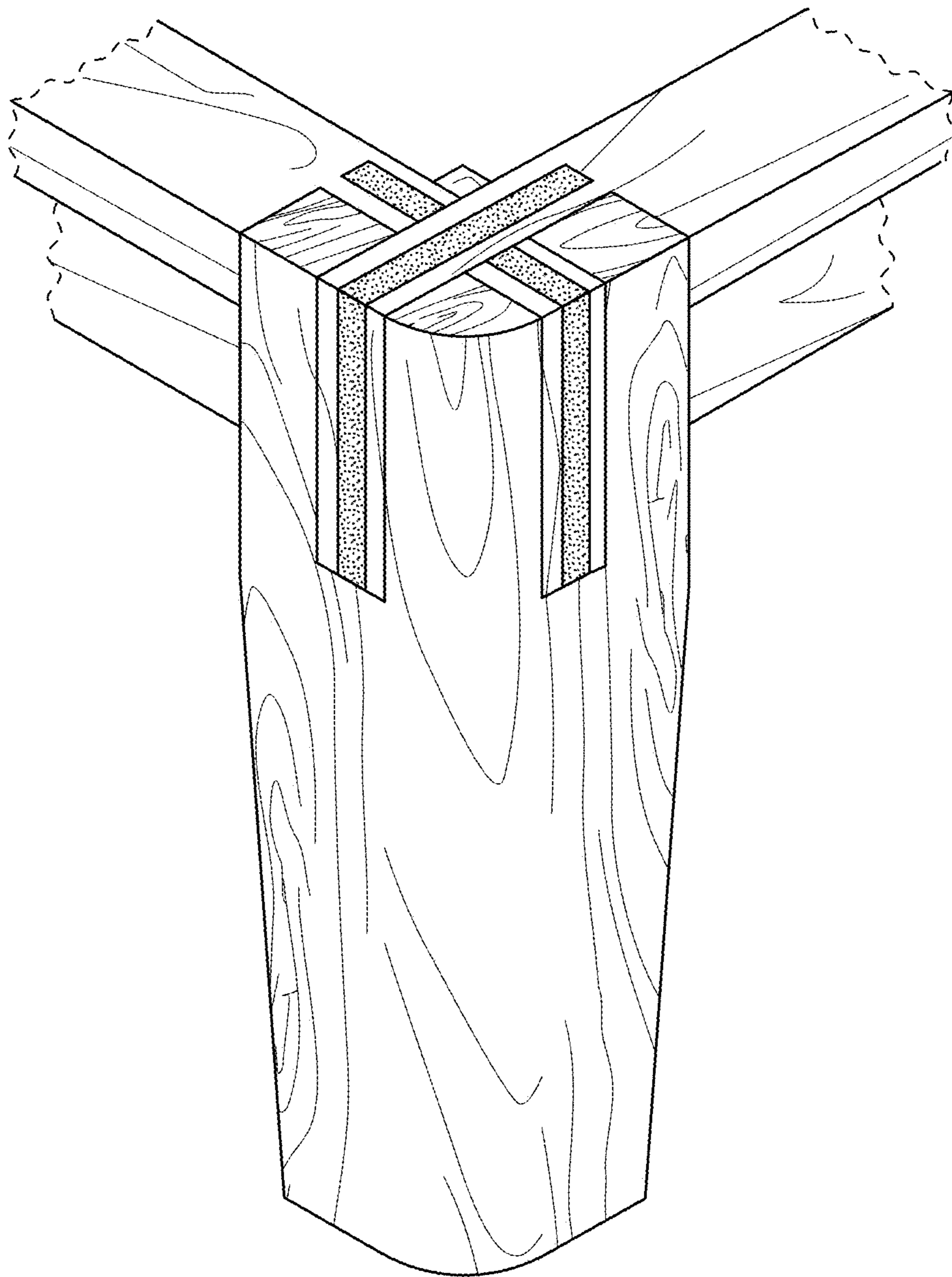


FIG. 1

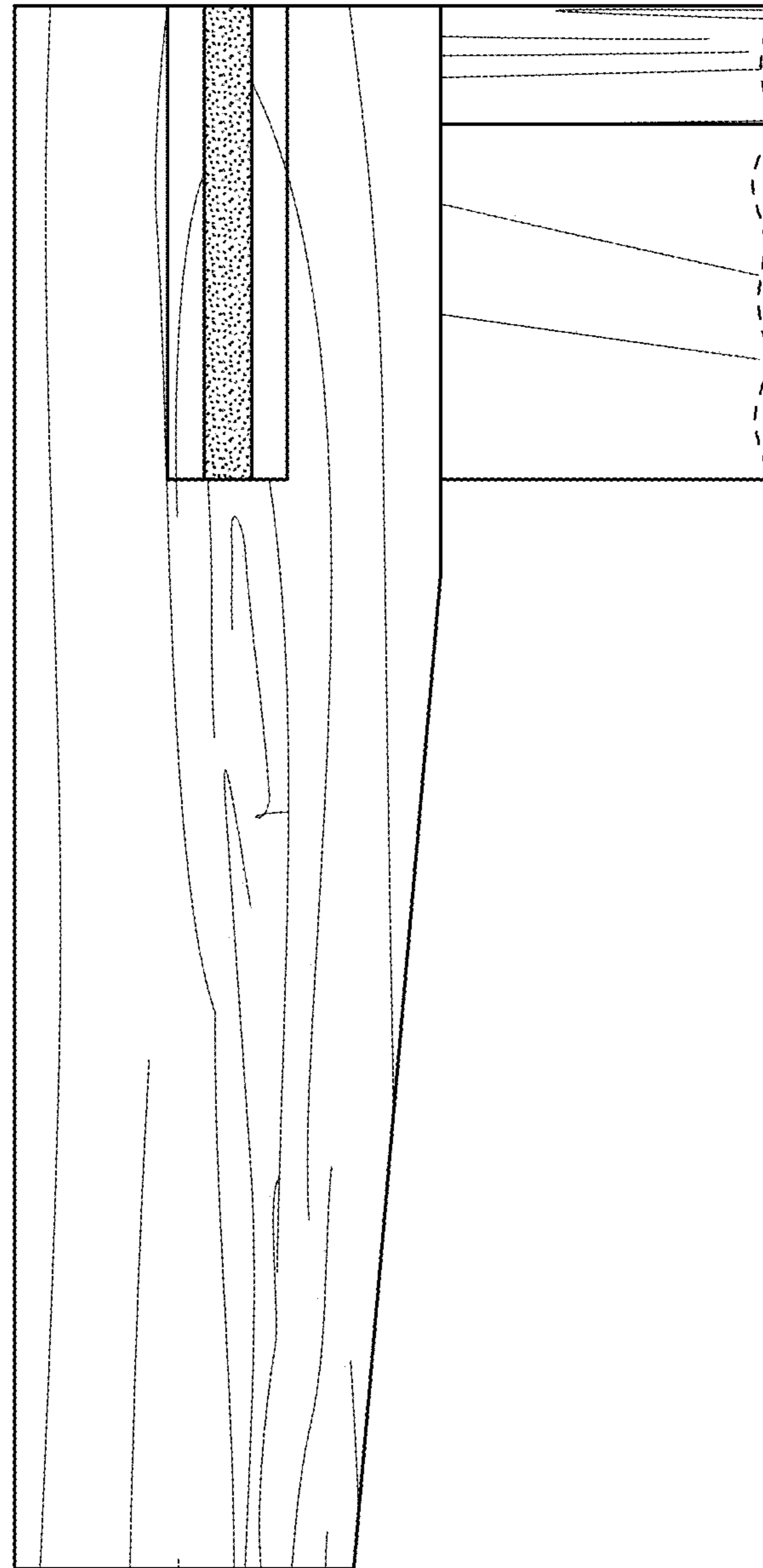


FIG. 2

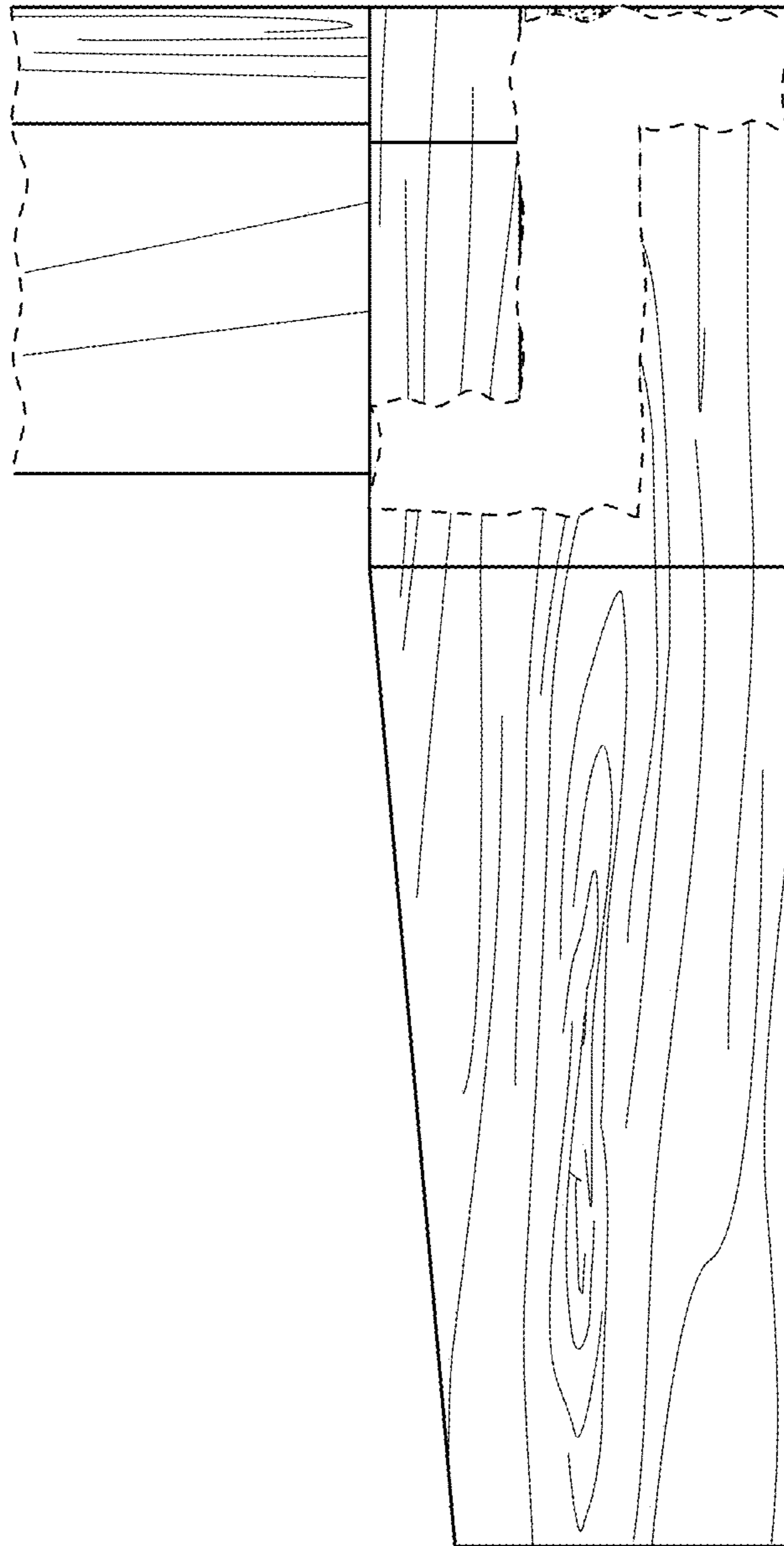


FIG. 3

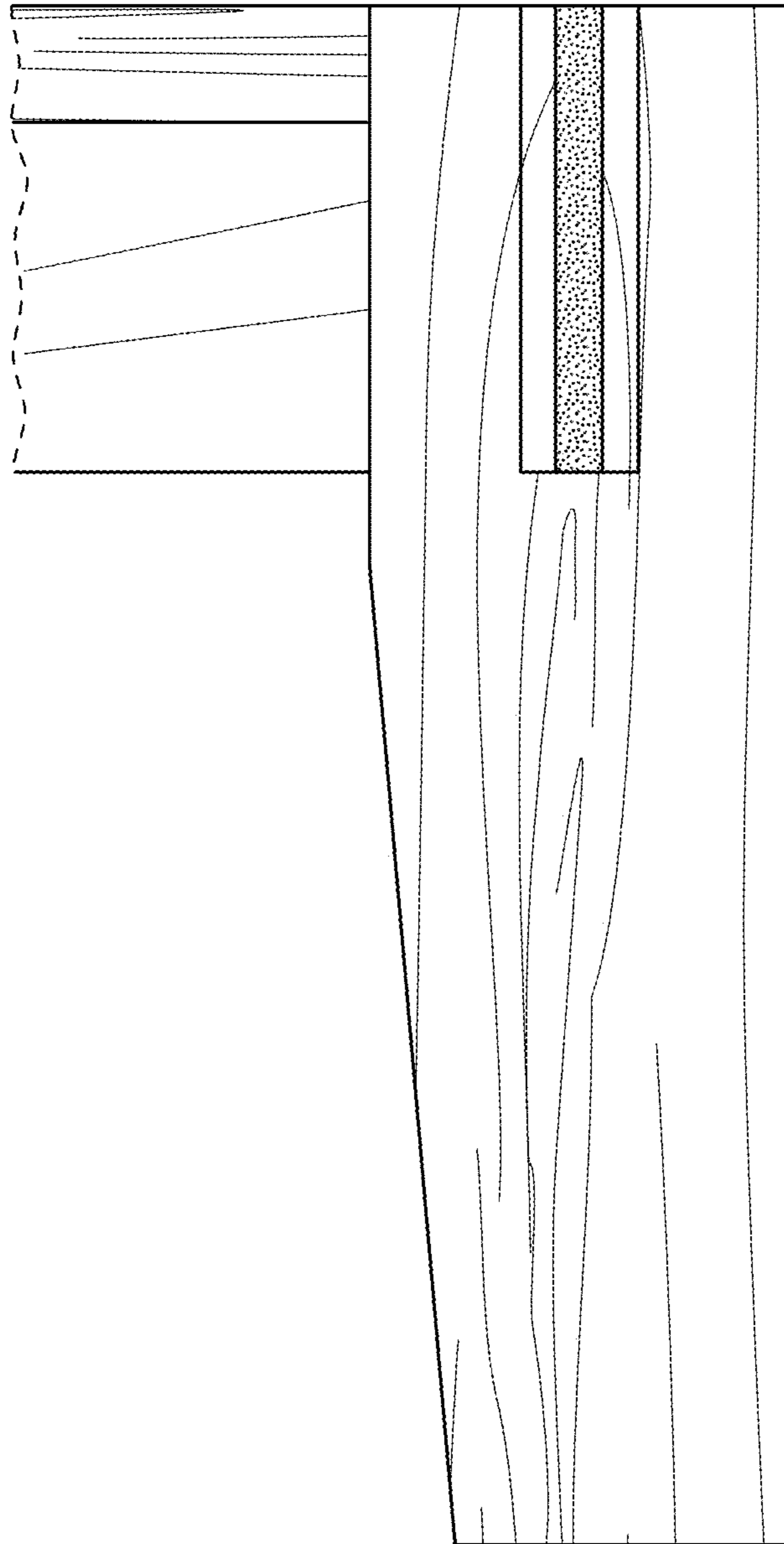


FIG. 4



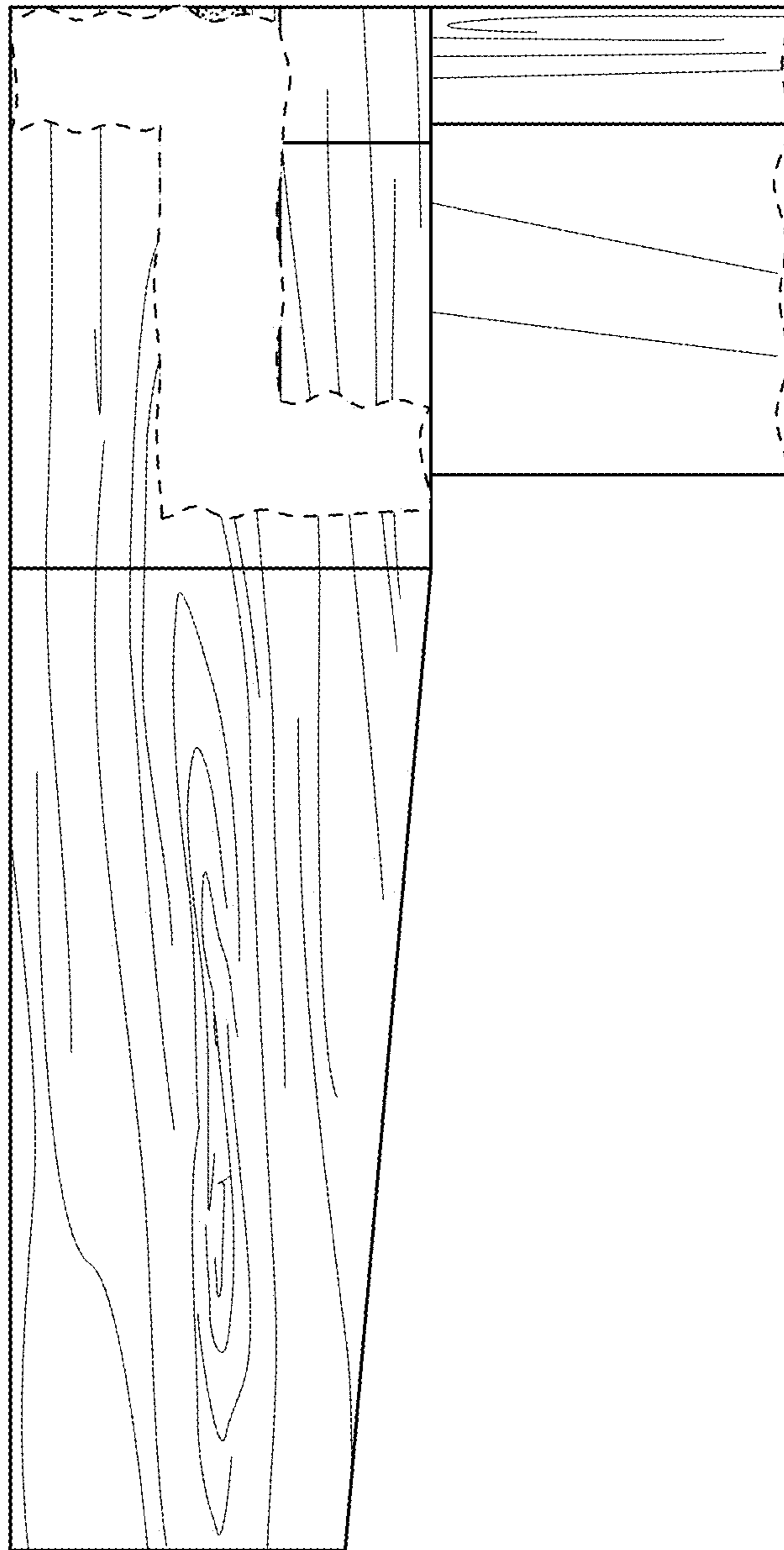


FIG. 5

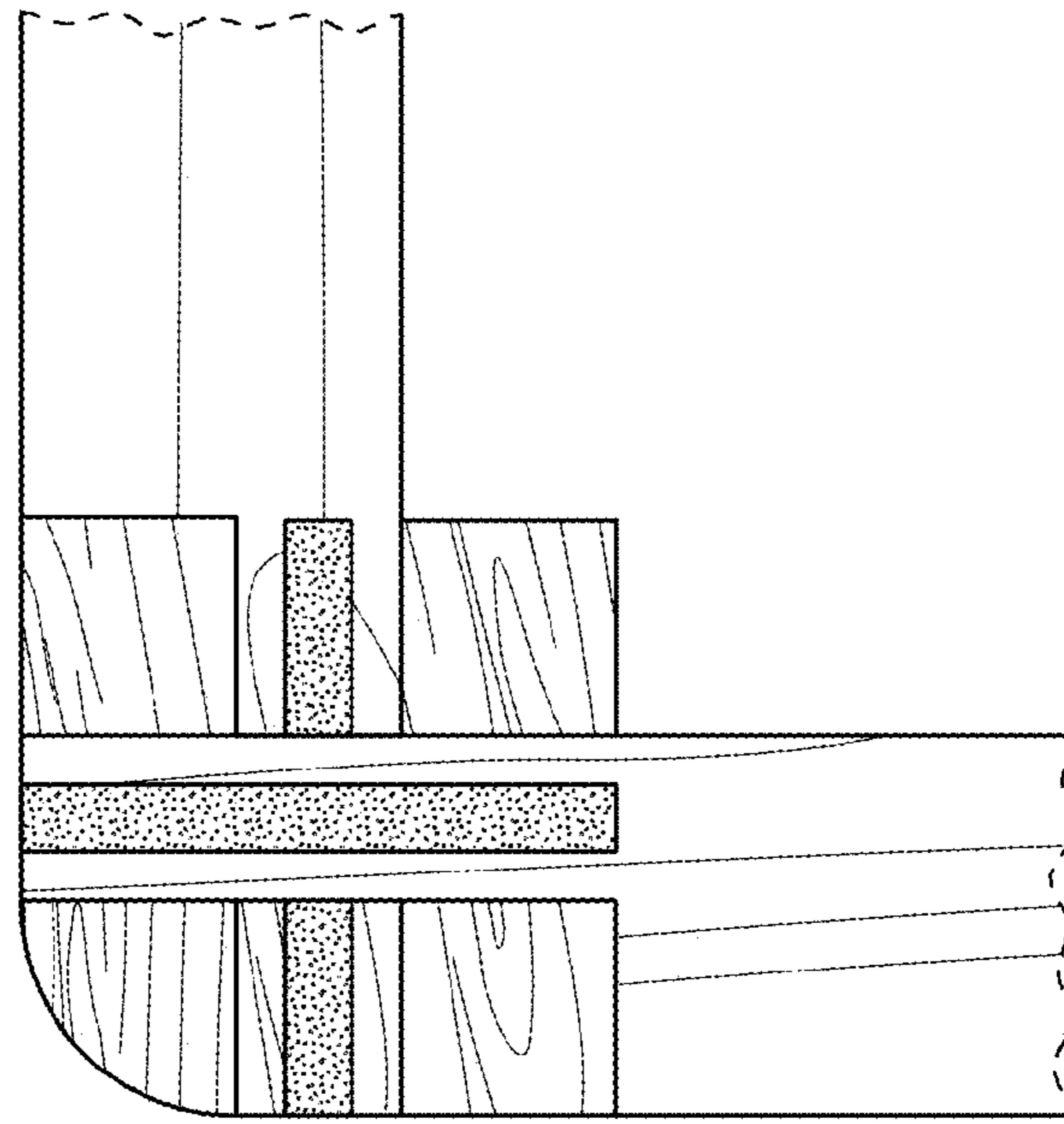


FIG. 6

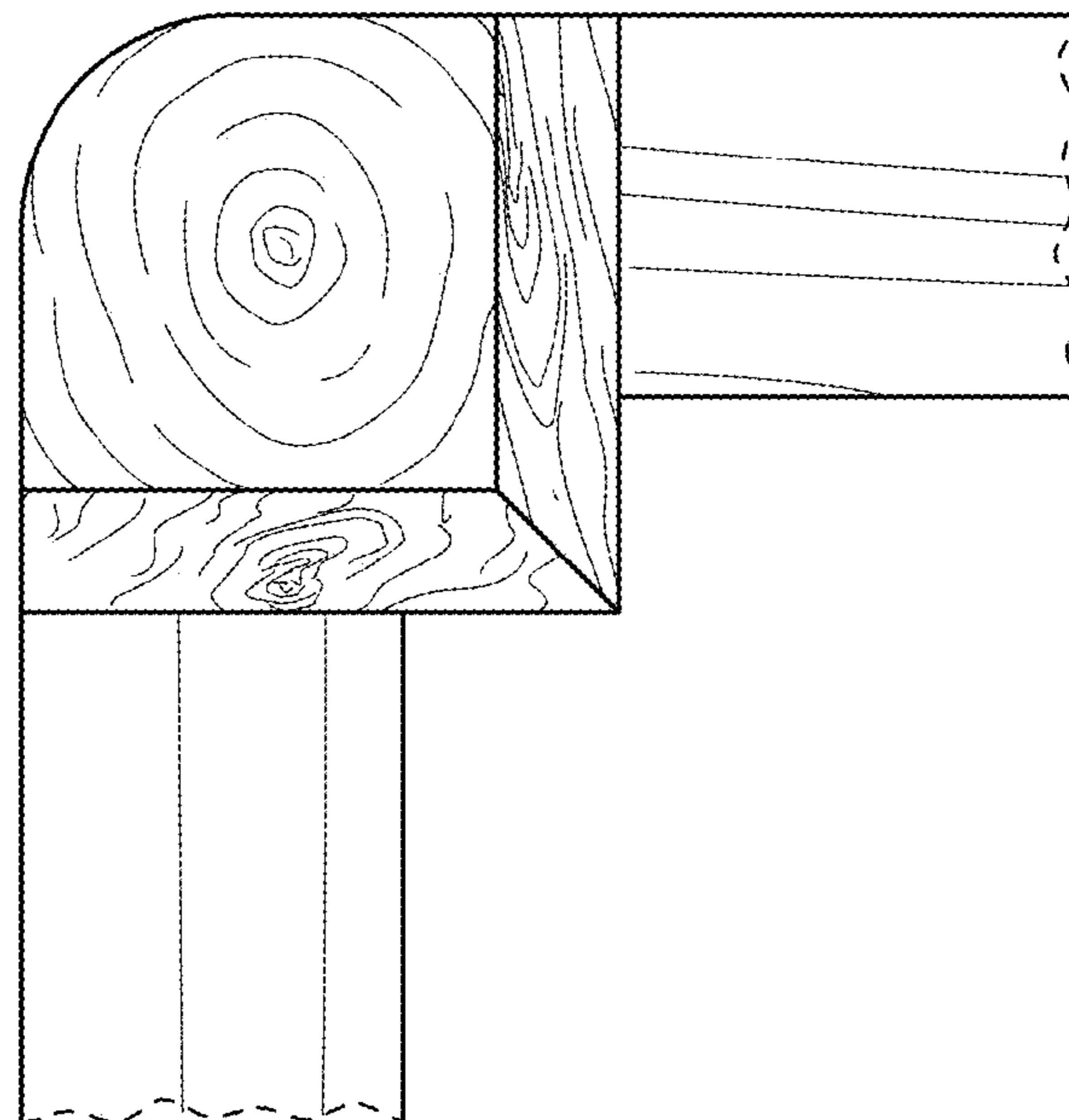


FIG. 7