



US00D909108S

(12) **United States Design Patent** (10) **Patent No.:** **US D909,108 S**
Shing (45) **Date of Patent:** **** Feb. 2, 2021**

(54) **PEGS AND BOLTS WALL BOARD**
(71) Applicant: **Cheer Sky (China) Limited**, Guang Dong (CN)
(72) Inventor: **Wailun Shing**, Guang Dong (CN)
(**) Term: **15 Years**
(21) Appl. No.: **29/639,679**
(22) Filed: **Mar. 8, 2018**
(51) **LOC (13) Cl.** **06-06**
(52) **U.S. Cl.**
USPC **D6/703.4; D8/385; D8/387**
(58) **Field of Classification Search**
USPC **D6/553, 566, 571, 572, 705, 703.4, 674, D6/418, 430, 449, 426, 574; 211/87.01,**
(Continued)

(56) **References Cited**
U.S. PATENT DOCUMENTS
4,487,316 A * 12/1984 Calhoun A45D 6/00 206/443
5,114,680 A * 5/1992 Obermiller B01L 9/06 211/74
(Continued)

Primary Examiner — Nathan M Johnston
(74) *Attorney, Agent, or Firm* — Prakash Nama; Global IP Services, PLLC

(57) **CLAIM**
The ornamental design for a pegs and bolts wall board, as shown and described.

DESCRIPTION

FIG. 1 is a perspective view of a pegs and bolts wall board showing my new design, comprising a peg, a bolt and a wall board;
FIG. 2 is an enlarged perspective view of FIG. 1, showing the peg and the bolt inserted into the wall board;

FIG. 3 is the enlarged perspective view of FIG. 2 in an alternative configuration, wherein the peg is omitted, and the bolt is inserted into an alternative position on the wall board; broken lines shown in the figure illustrate other alternative positions which the bolt can be inserted and the additional number of identical bolts that can be used with the wall board;
FIG. 4 is the enlarged perspective view of FIG. 2 in still another alternative configuration, wherein the bolt is omitted, and the peg is inserted into an alternative position on the wall board; broken lines shown in the figure illustrate other alternative positions which the peg can be inserted and the additional number of identical pegs that can be used with the wall board;
FIG. 5 is a front elevational view of the wall board of the pegs and bolts wall board, omitting the peg and bolt, the wall board is shown in a reduced scale_ and shown separately from the peg and bolt for the ease of illustration;
FIG. 6 is a left side view thereof;
FIG. 7 is a right side view thereof;
FIG. 8 is a top plan view thereof;
FIG. 9 is a bottom plan view thereof;
FIG. 10 is a perspective view thereof, shown in an enlarged scale;
FIG. 11 is a front elevational view of the bolt of the pegs and bolts wall board, omitting the peg and wall board, the bolt is shown in an enlarged scale and shown separately from the peg and the wall board for the ease of illustration;
FIG. 12 is a rear elevational view thereof;
FIG. 13 is a left side view thereof;
FIG. 14 is a right side view thereof;
FIG. 15 is a top plan view thereof, shown in a further enlarged scale;
FIG. 16 is a bottom plan view thereof, shown in a further enlarged scale;
FIG. 17 is a perspective view thereof, shown in a further enlarged scale;
FIG. 18 is a front elevational view of the peg of the pegs and bolts wall board, omitting the bolt and the wall board, the peg is shown in an enlarged scale and shown separately from the bolt and the wall board for the ease of illustration;
FIG. 19 is a rear elevational view thereof;
FIG. 20 is a left side view thereof;
FIG. 21 is a right side view thereof;
(Continued)

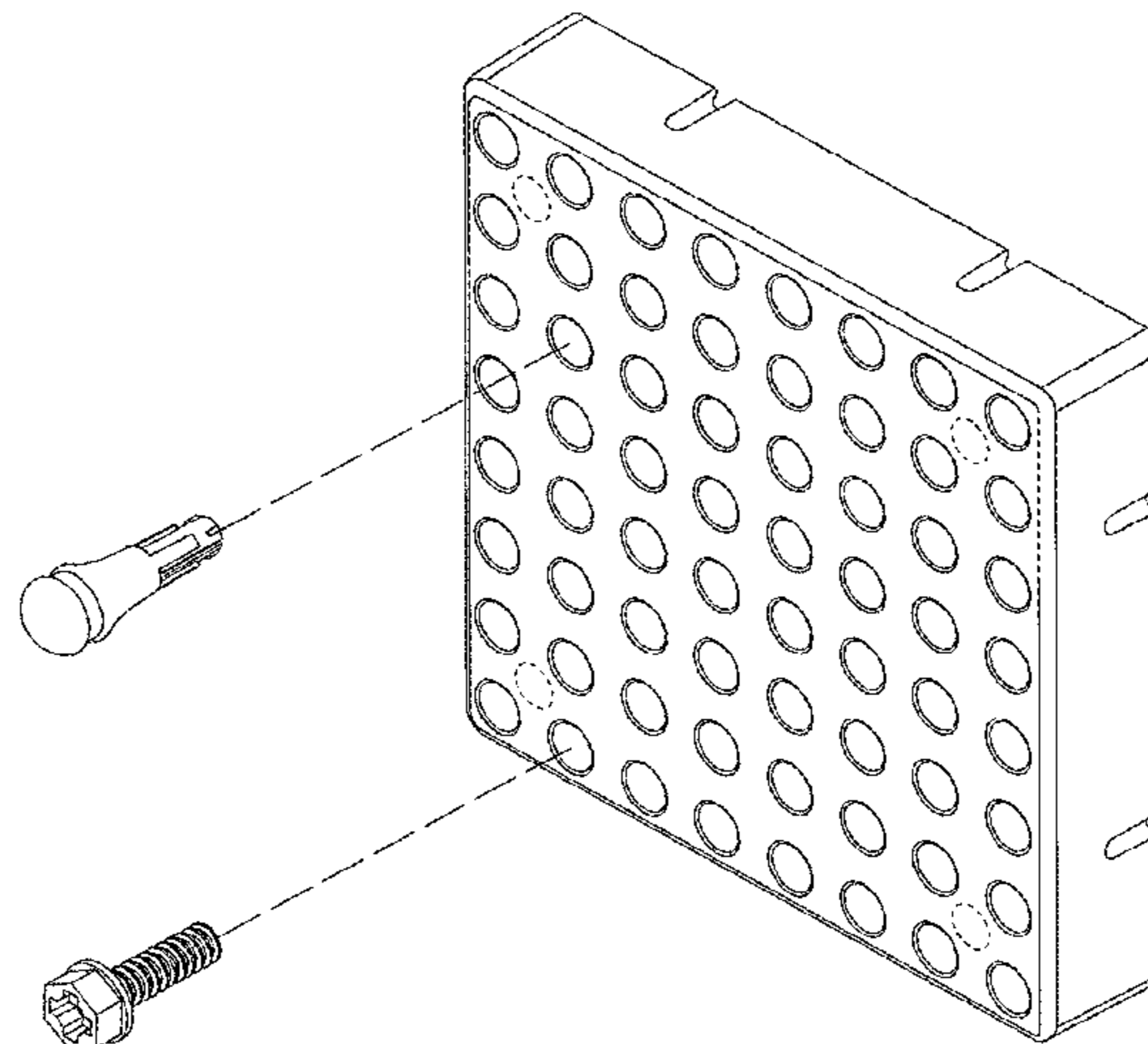


FIG. 22 is a top plan view thereof, shown in a further enlarged scale;
FIG. 23 is a bottom plan view thereof, shown in a further enlarged scale; and,
FIG. 24 is a perspective view thereof, shown in a further enlarged scale.
The broken lines shown in the figures illustrate portions of the pegs and bolts wall board that form no part of the claimed design.
The back side of the wall board is not claimed.

1 Claim, 11 Drawing Sheets

(58) **Field of Classification Search**
USPC 211/90.04; 248/220.31; D8/21-28, 387, D8/385; D25/58, 138, 153, 156, 152, D25/155; 411/411, 166, 178, 184, 188, 411/911, 427
CPC .. A47K 1/09; F16B 2/06; F16B 21/02; F16M 13/02; F16M 11/041
See application file for complete search history.

(56)

References Cited

U.S. PATENT DOCUMENTS

6,481,583	B1 *	11/2002	Black	A47F 5/0815 211/70.6
D472,752	S *	4/2003	Medendorp	D21/341
D493,055	S *	7/2004	Ferretti	D6/552
D538,538	S *	3/2007	Espinosa	D3/313
8,439,210	B1 *	5/2013	Griffith	A47G 25/10 211/106.01
D772,057	S *	11/2016	Adams	D9/432
2003/0211595	A1 *	11/2003	Lee	B01L 9/06 435/283.1
2007/0095997	A1 *	5/2007	Case	A47G 1/164 248/309.1
2009/0146032	A1 *	6/2009	Bettenhausen	A61B 50/34 248/220.31
2013/0240386	A1 *	9/2013	Wu	G02B 27/0006 206/207
2016/0029790	A1 *	2/2016	Carpenter	A47B 47/00 211/75

* cited by examiner

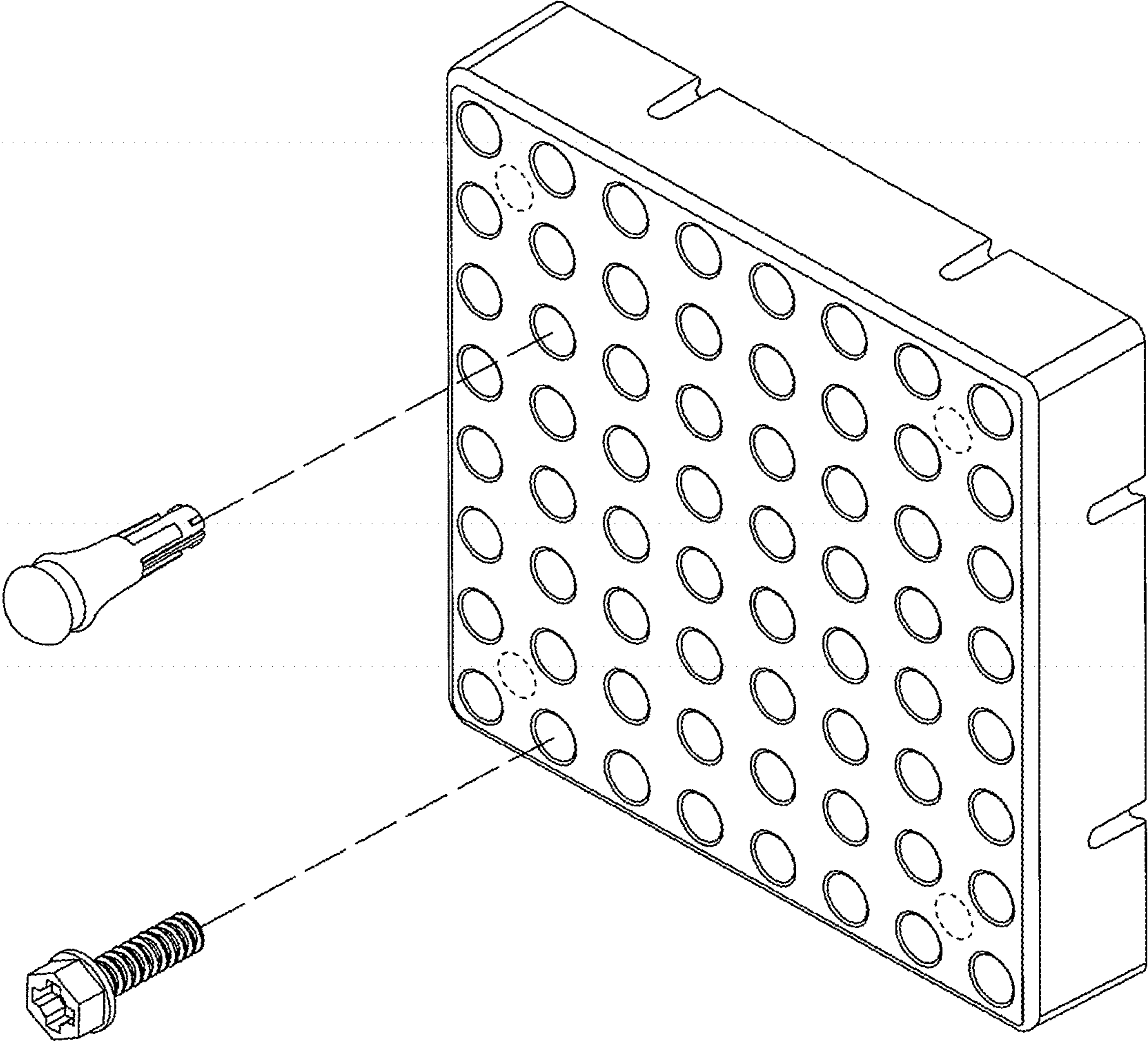


FIG. 1

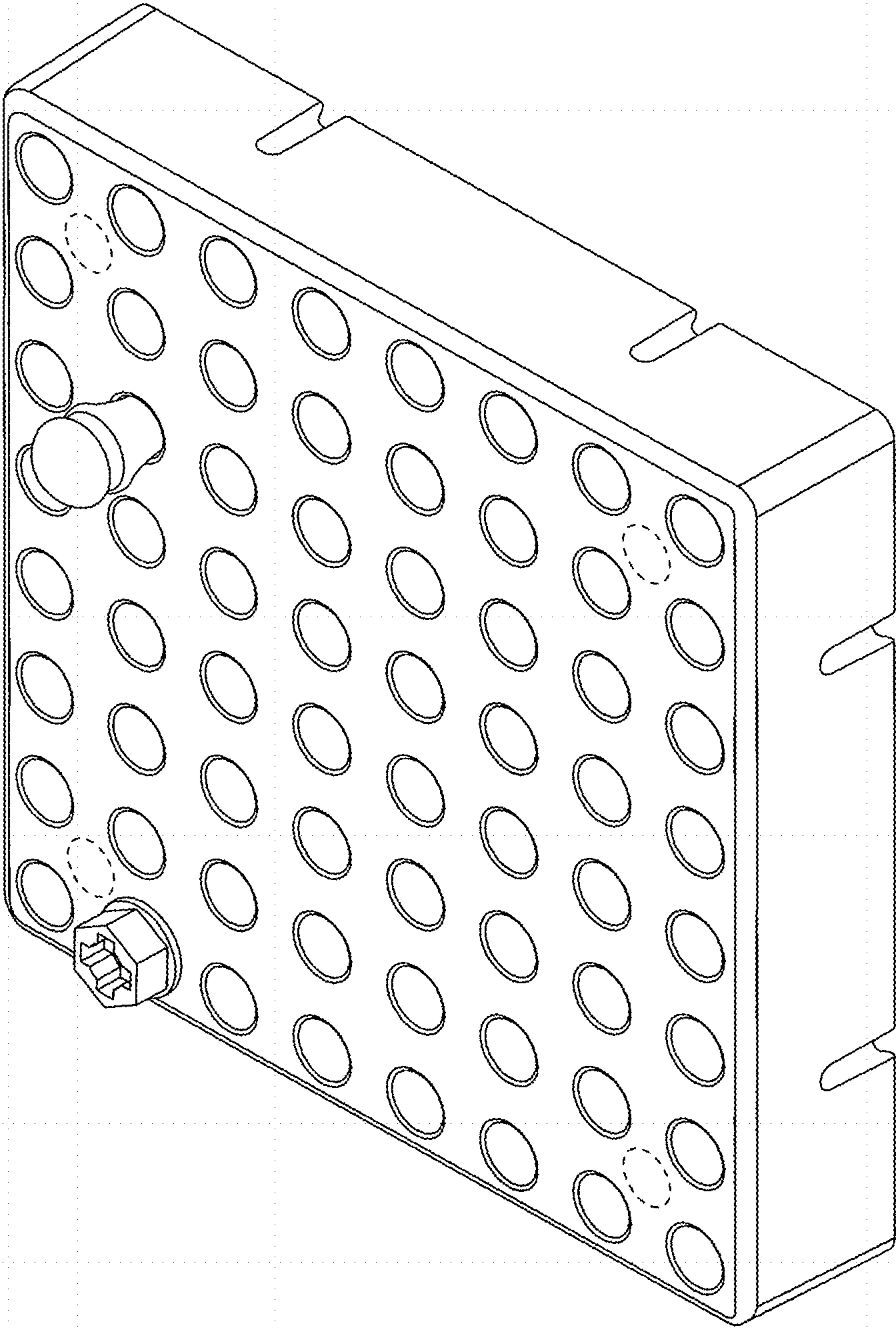


FIG. 2

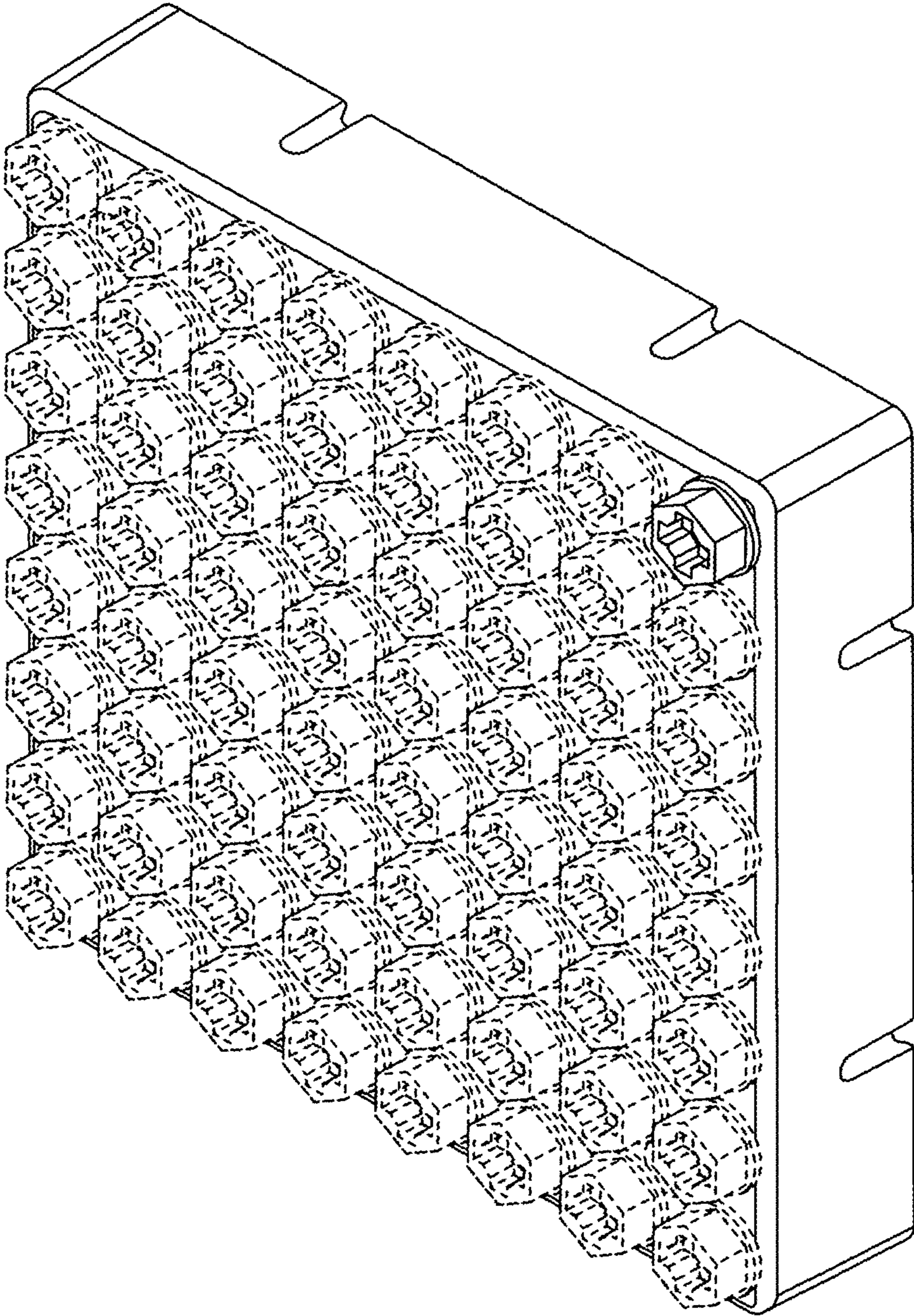


FIG. 3

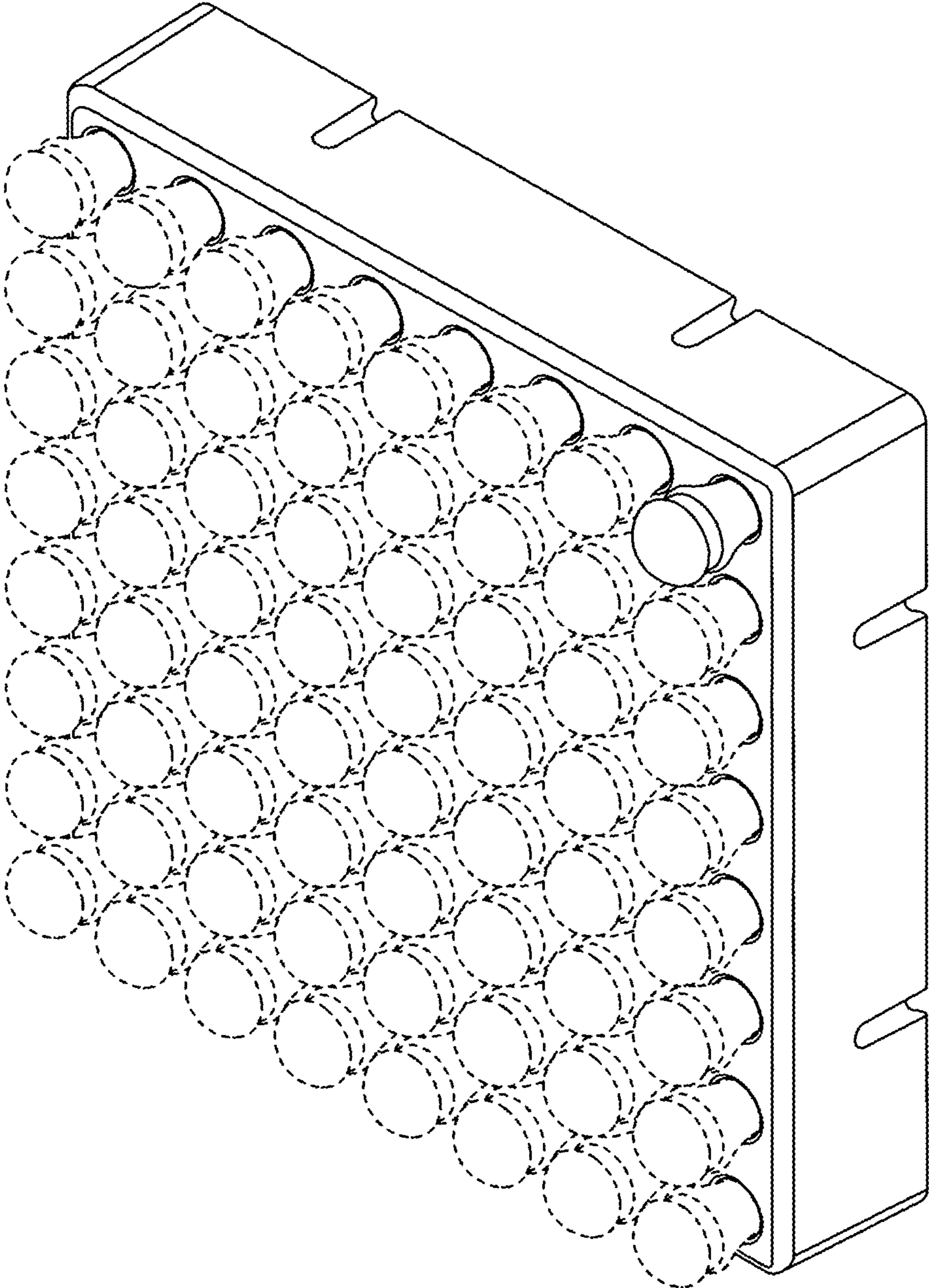


FIG. 4

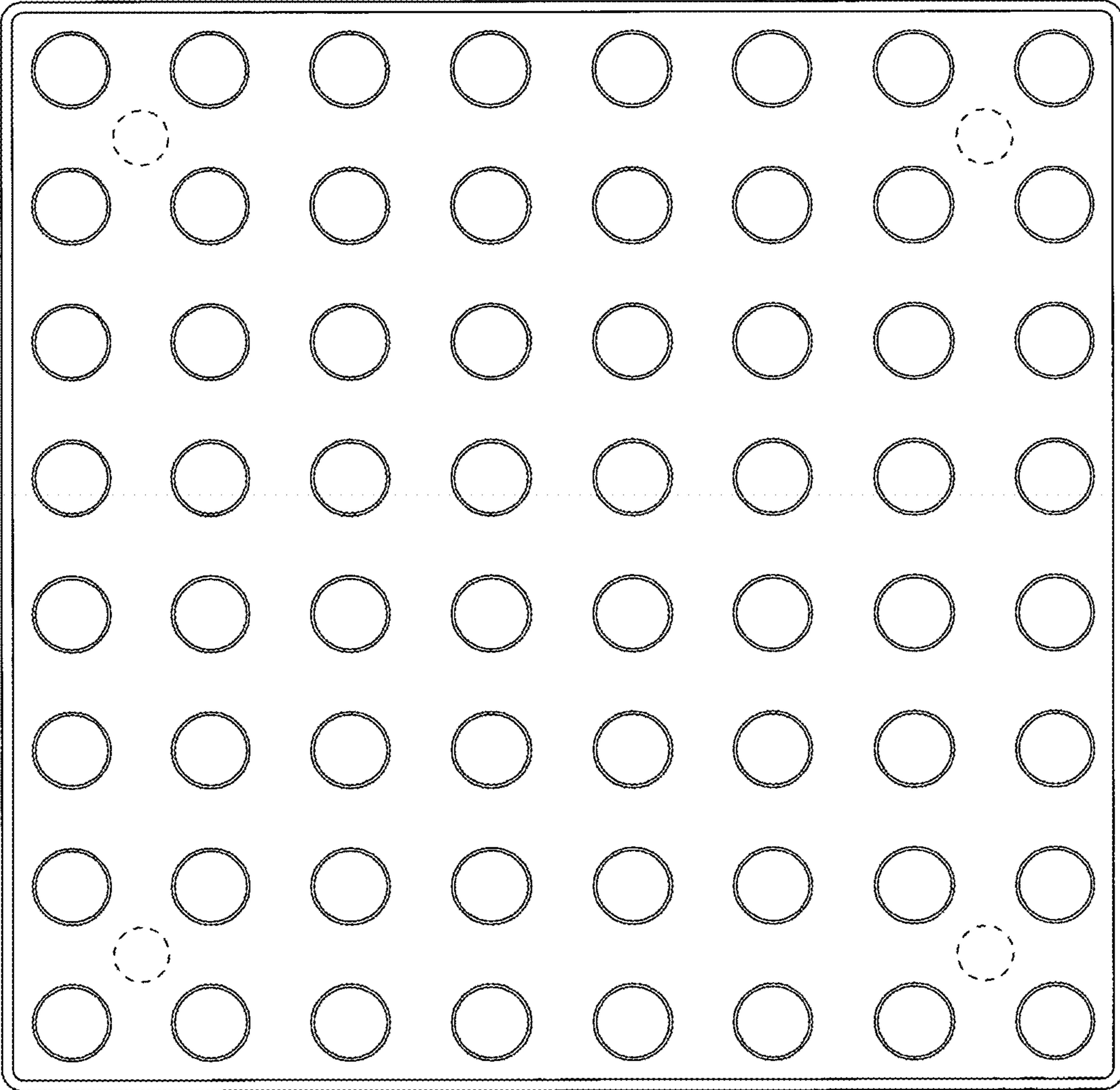


FIG. 5

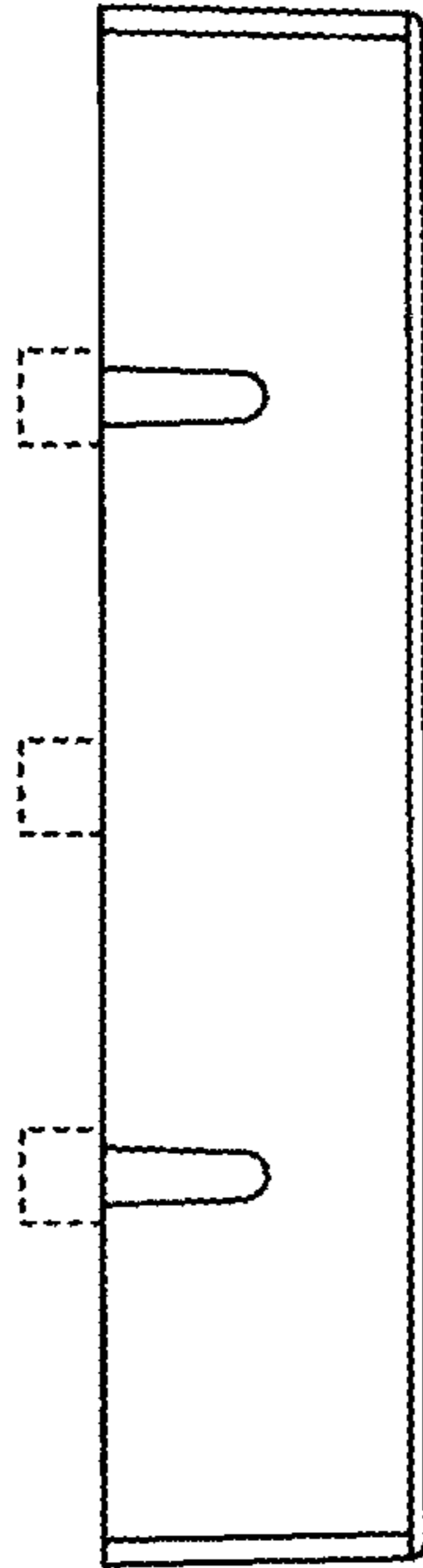


FIG. 6

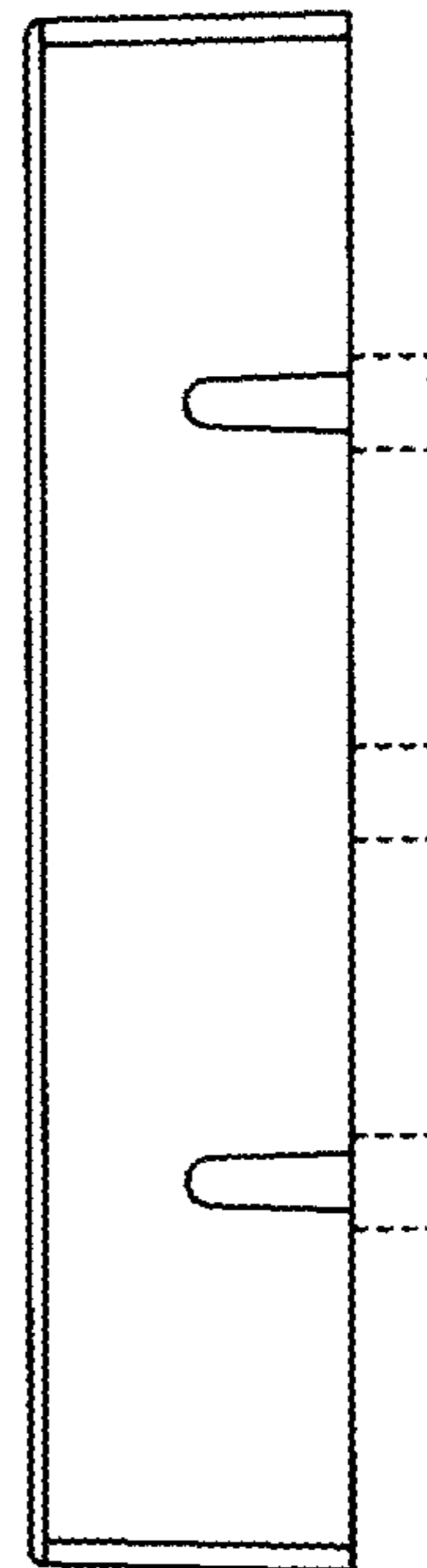


FIG. 7

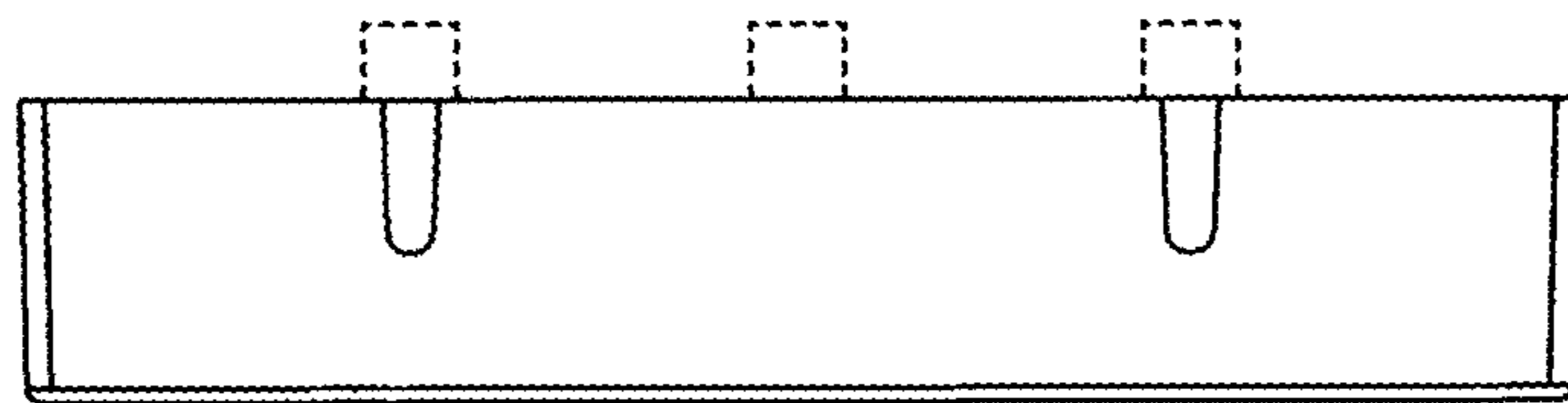


FIG. 8

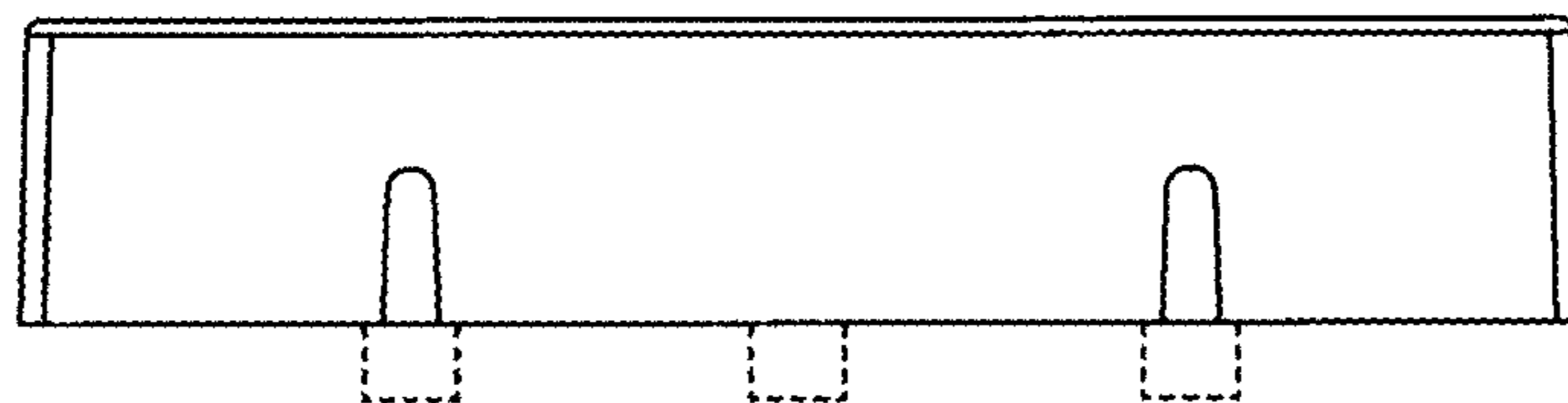


FIG. 9

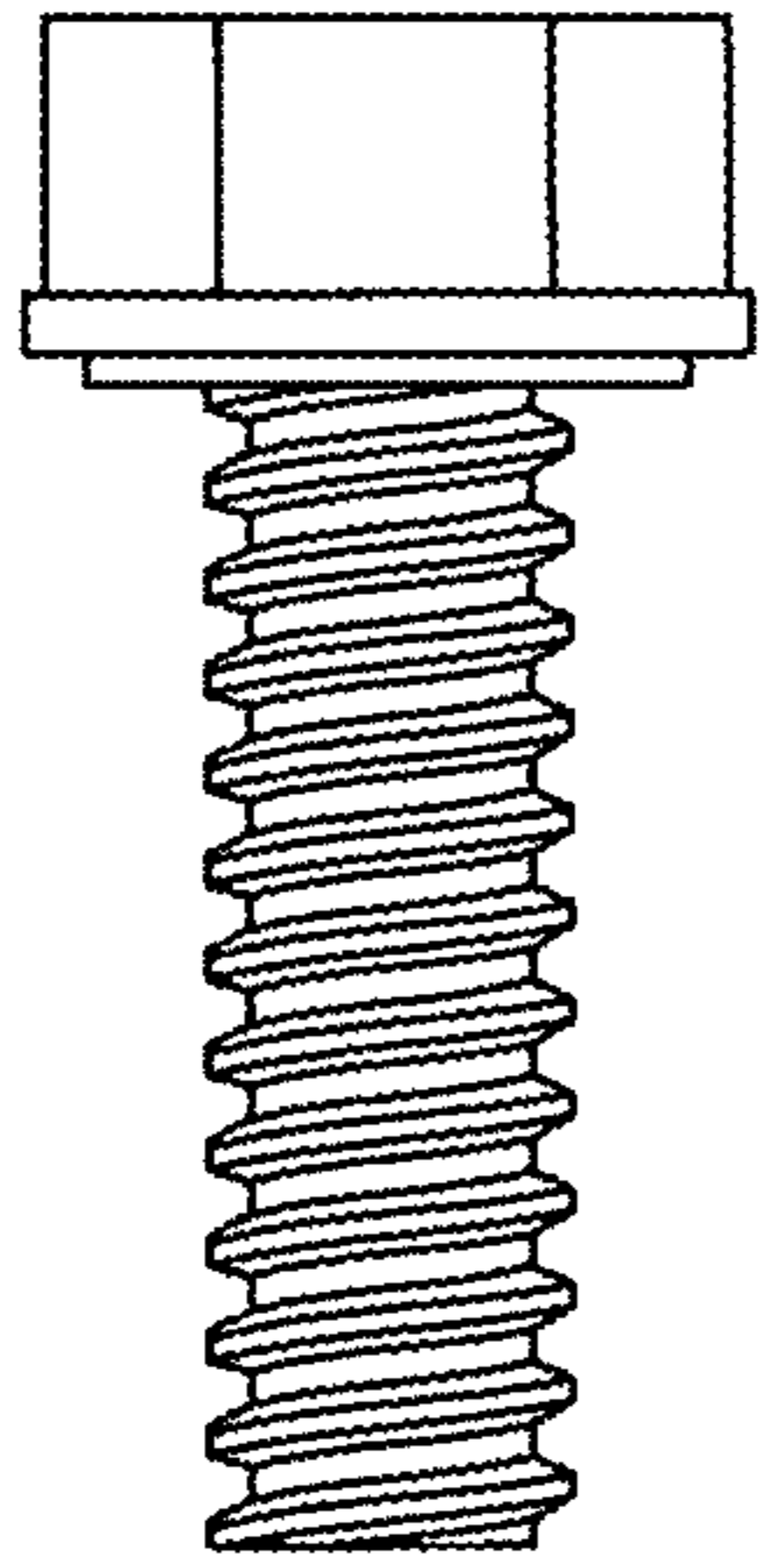


FIG. 11

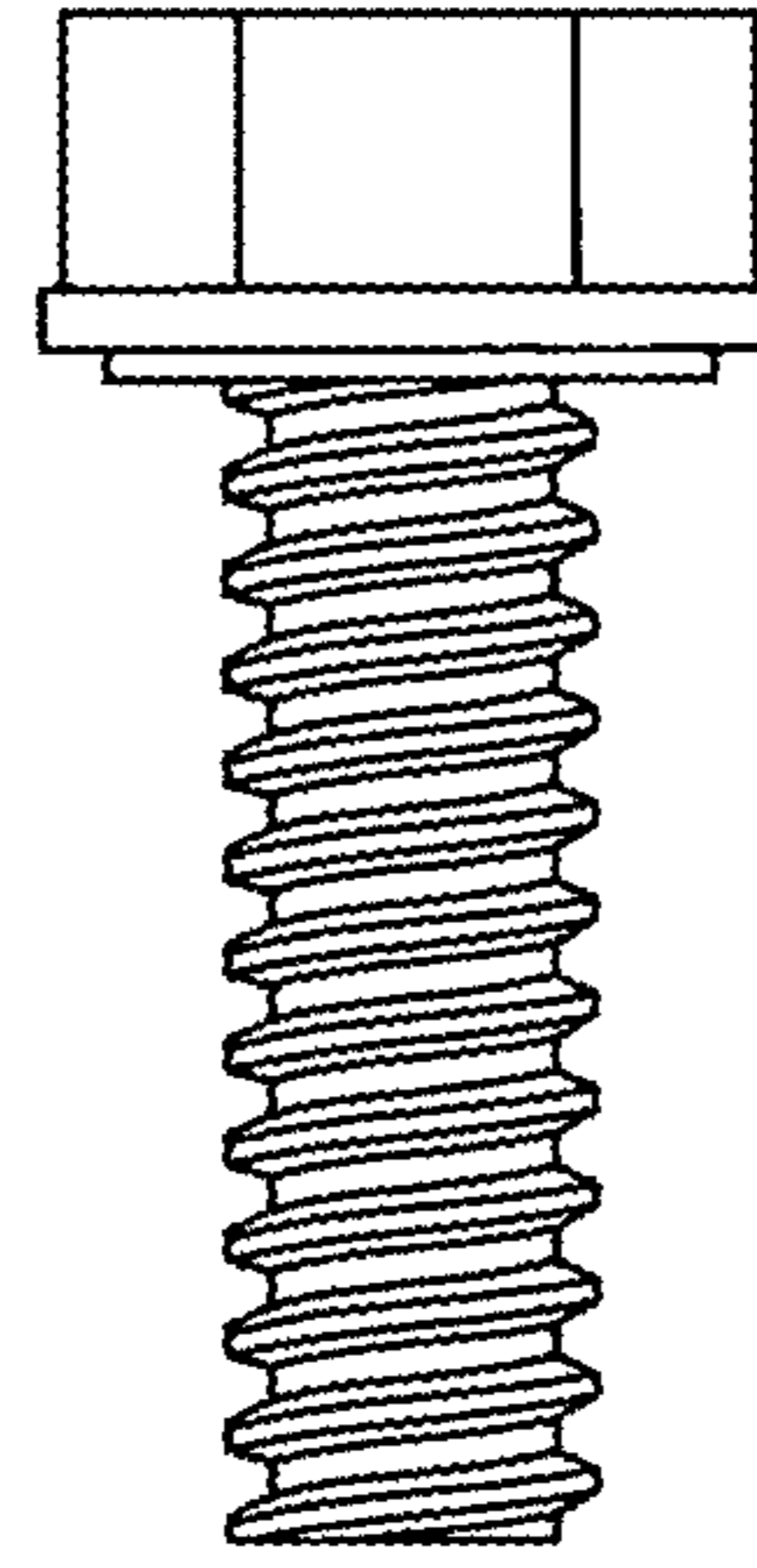


FIG. 12

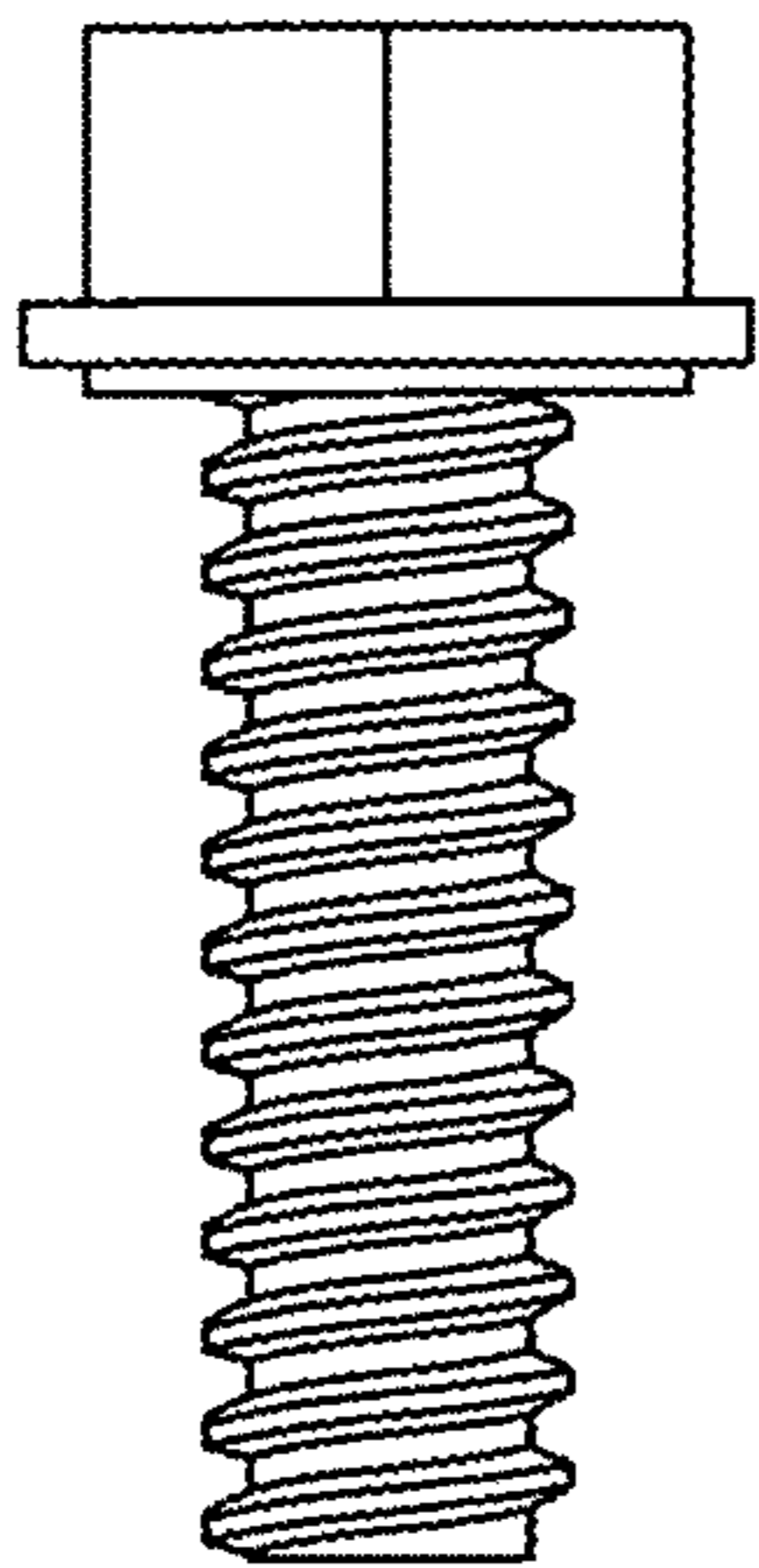


FIG. 13

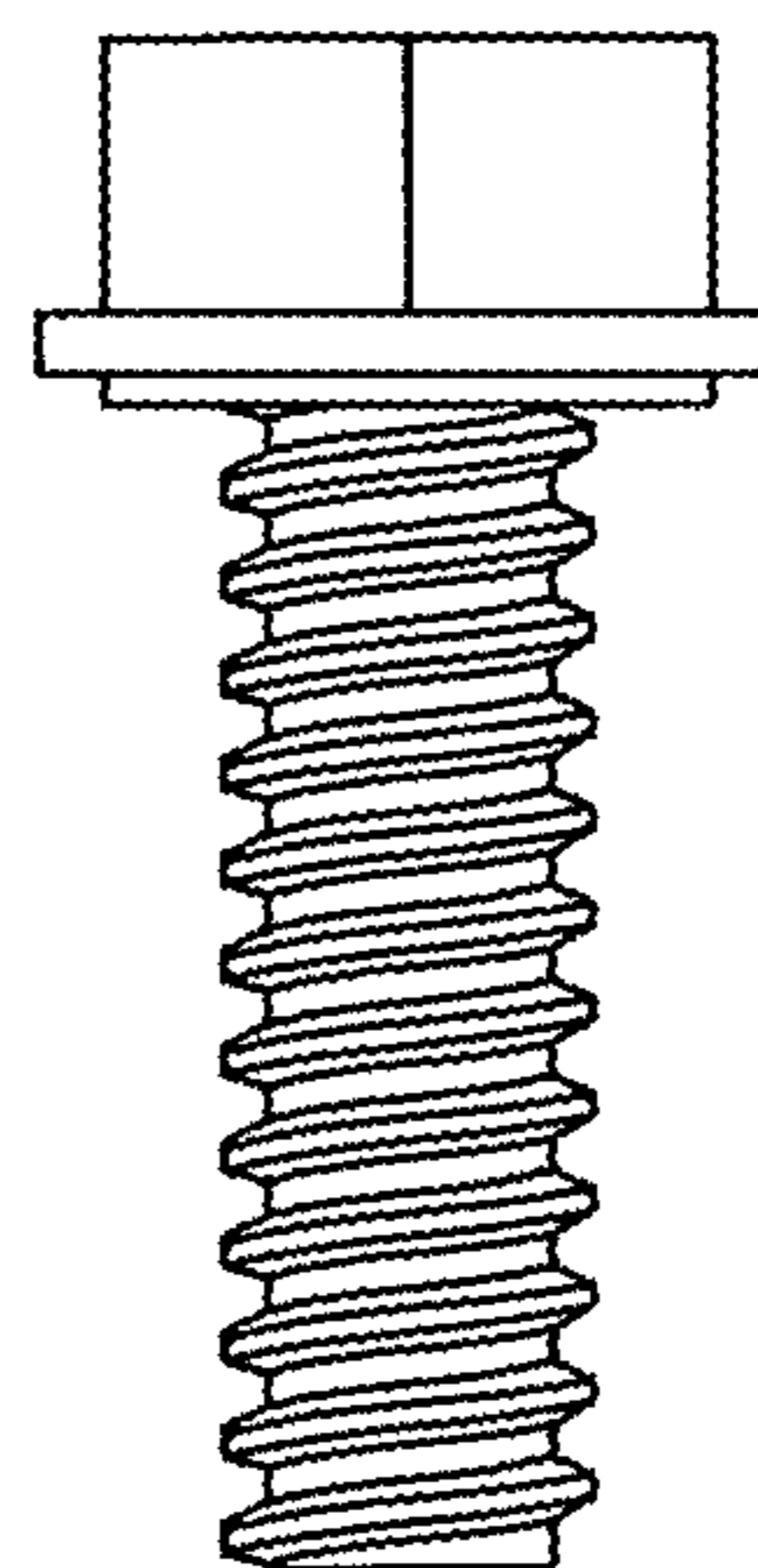


FIG. 14

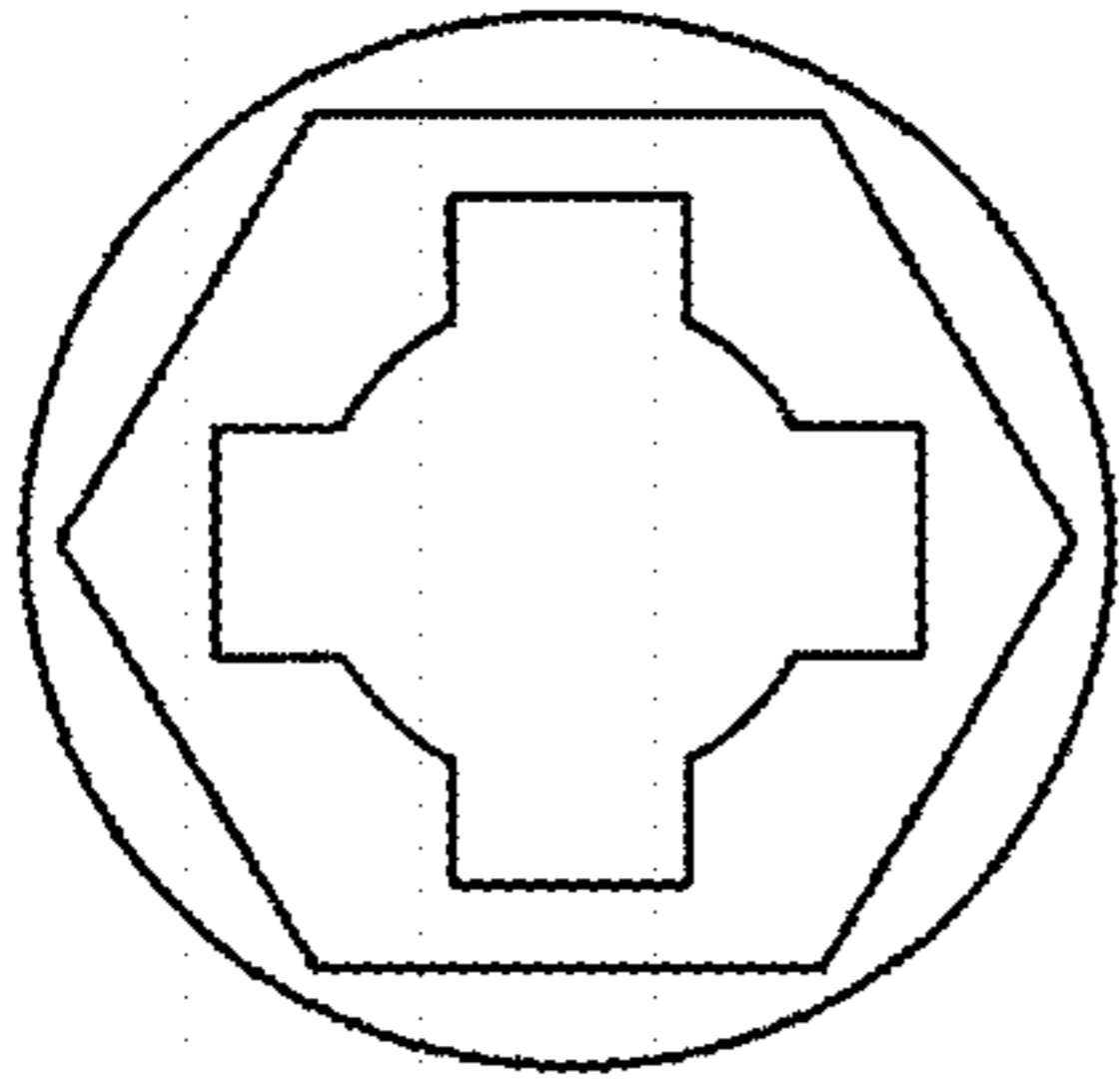


FIG. 15

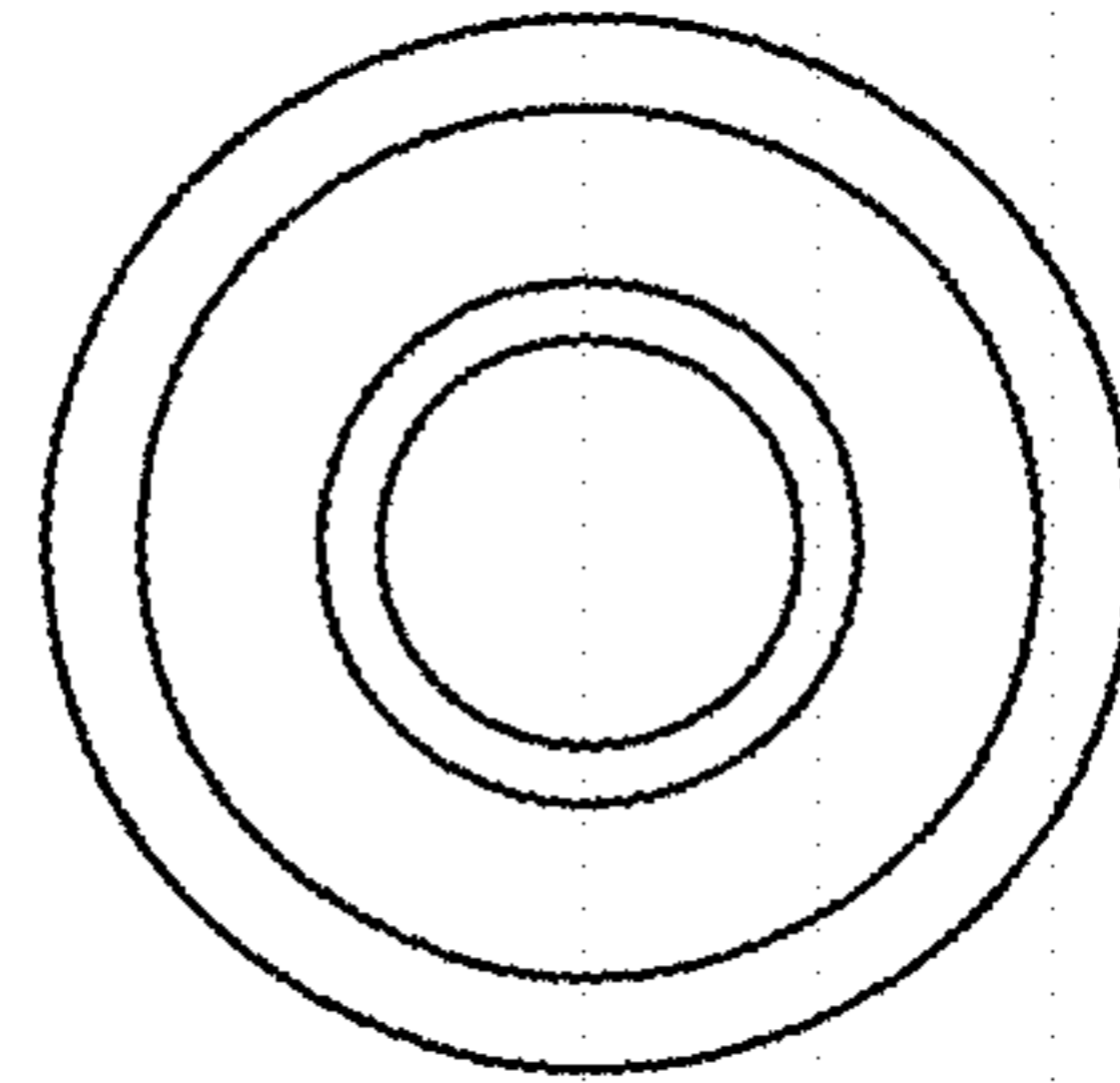


FIG. 16

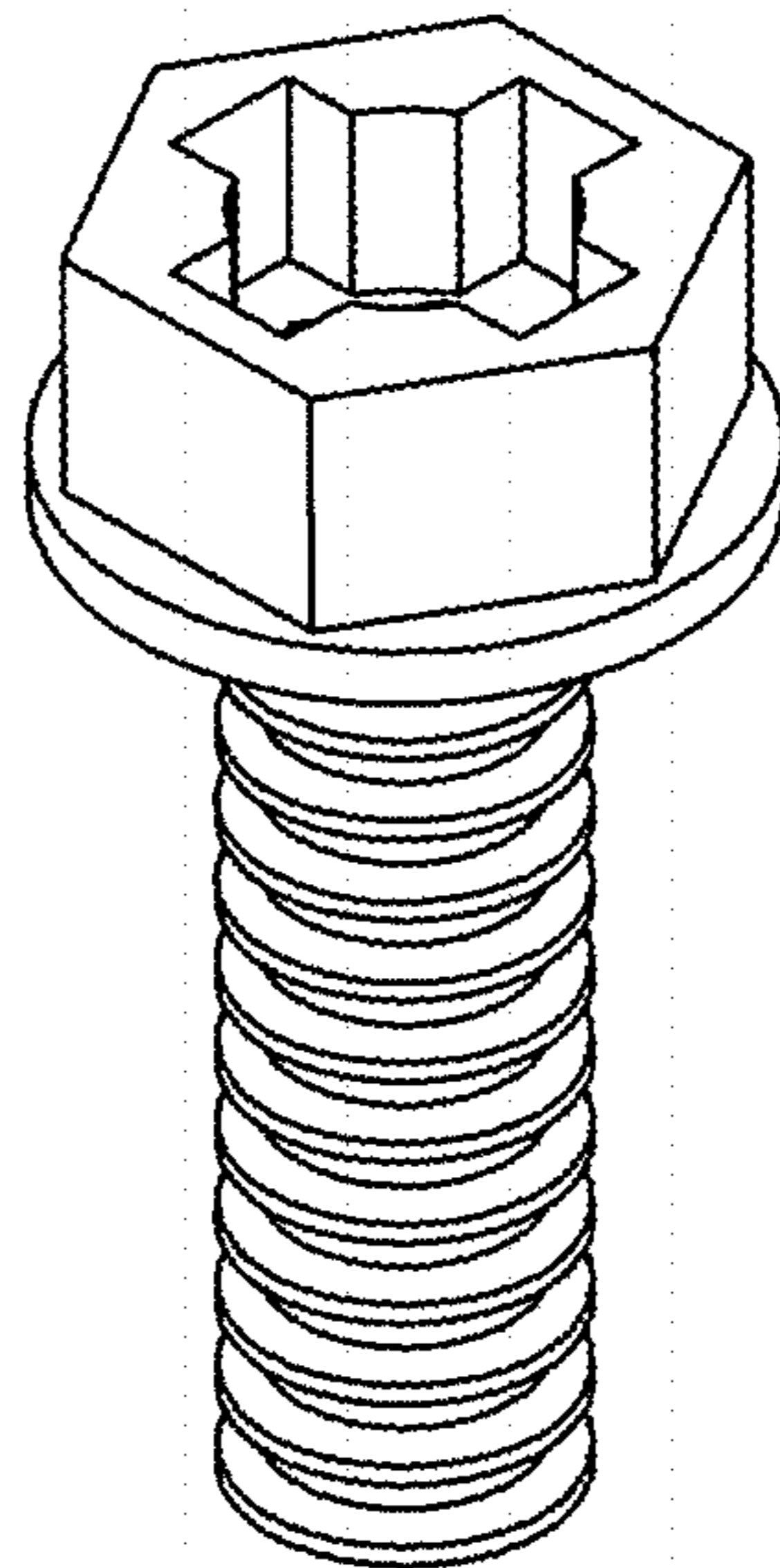


FIG. 17

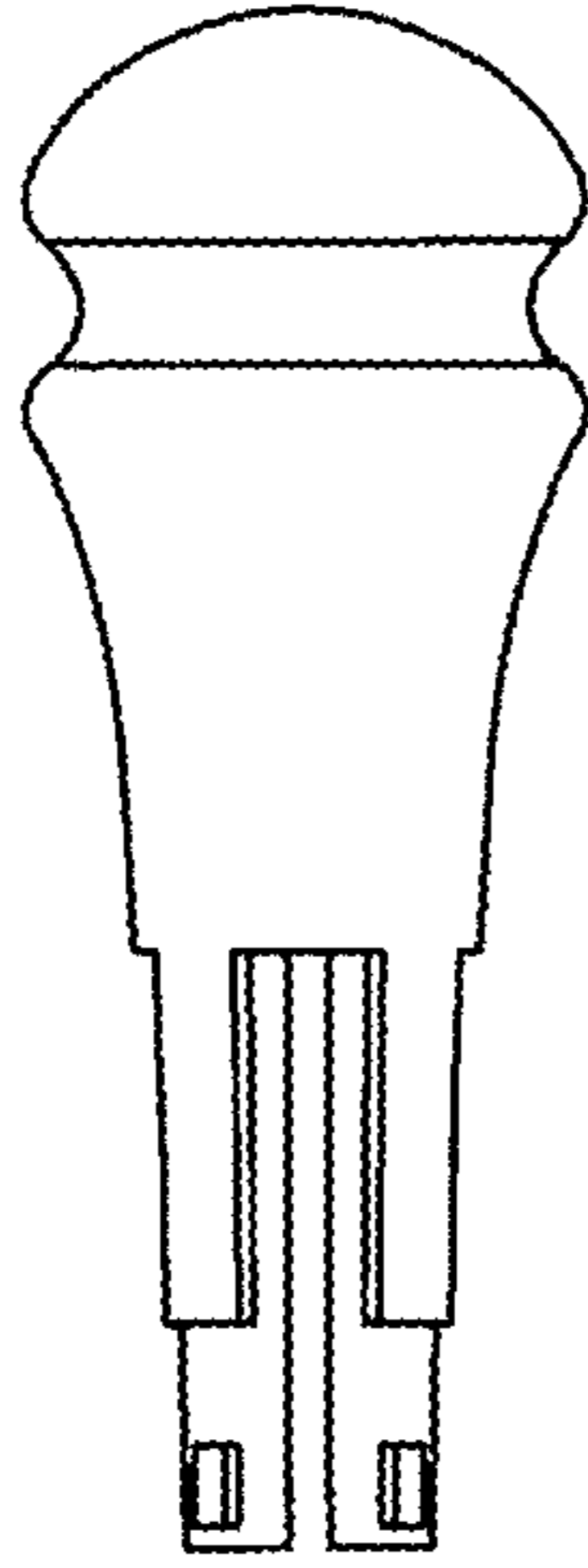


FIG. 18

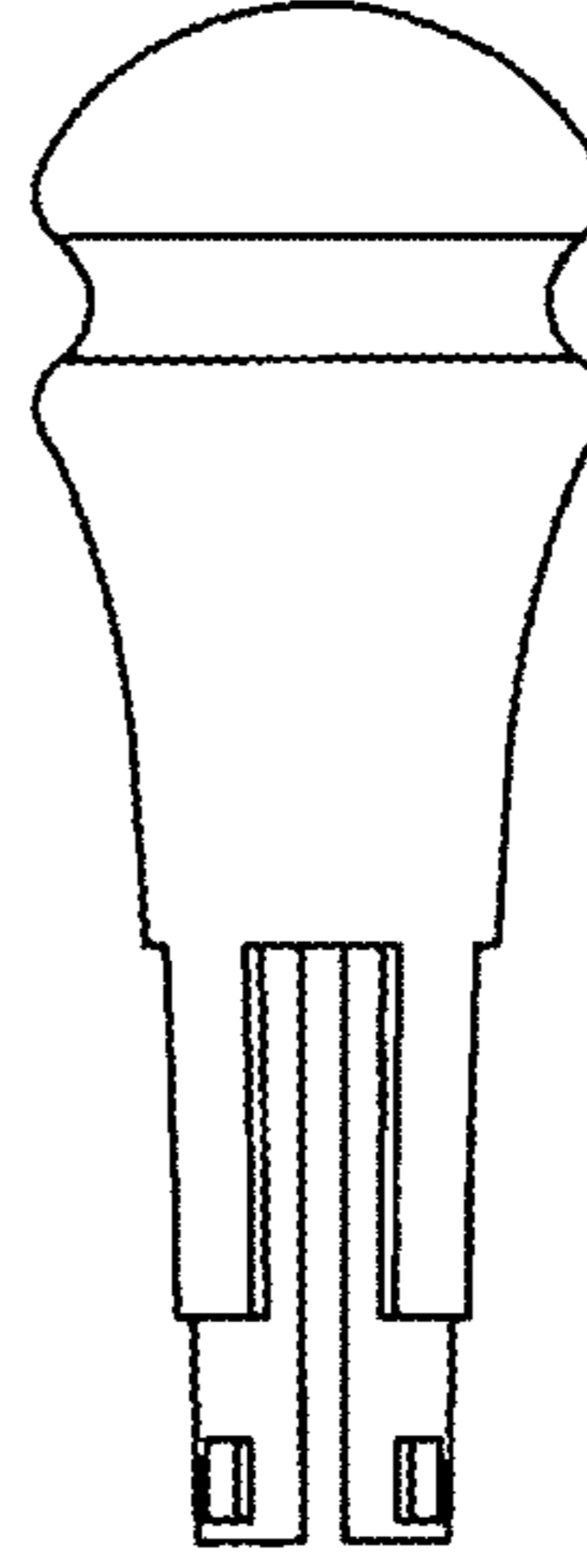


FIG. 19

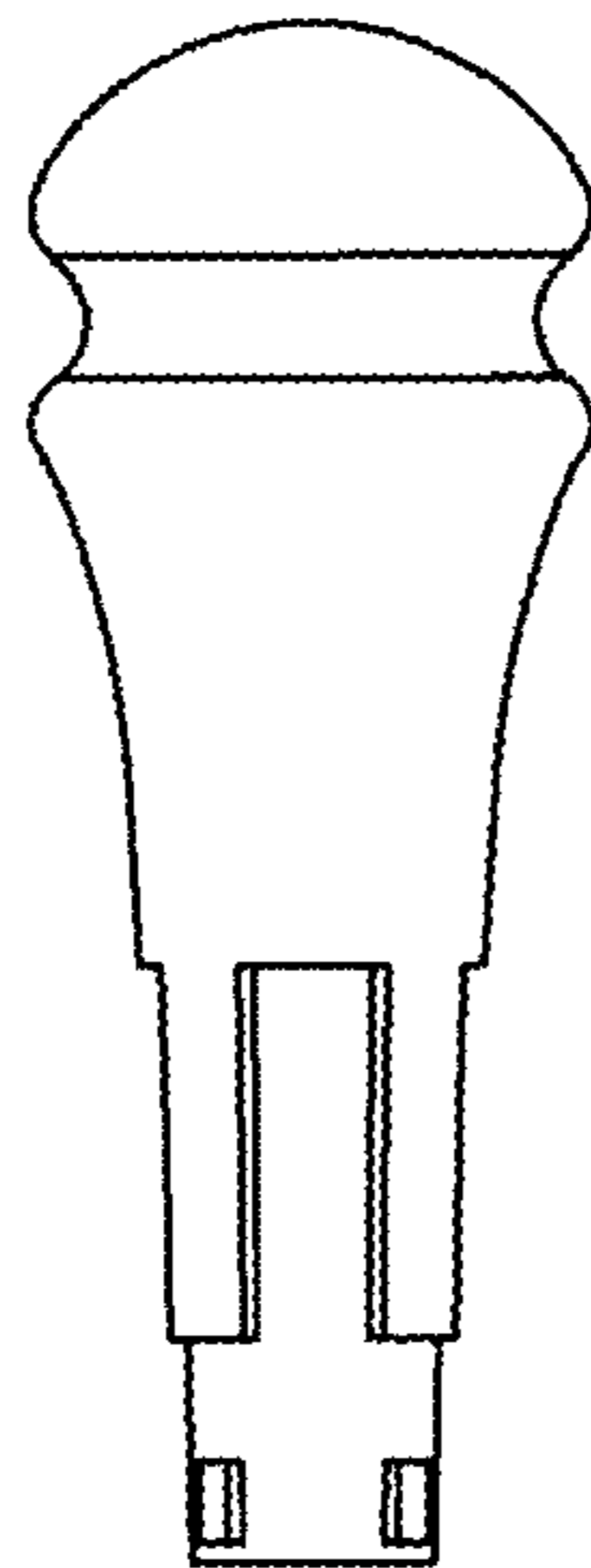


FIG. 20

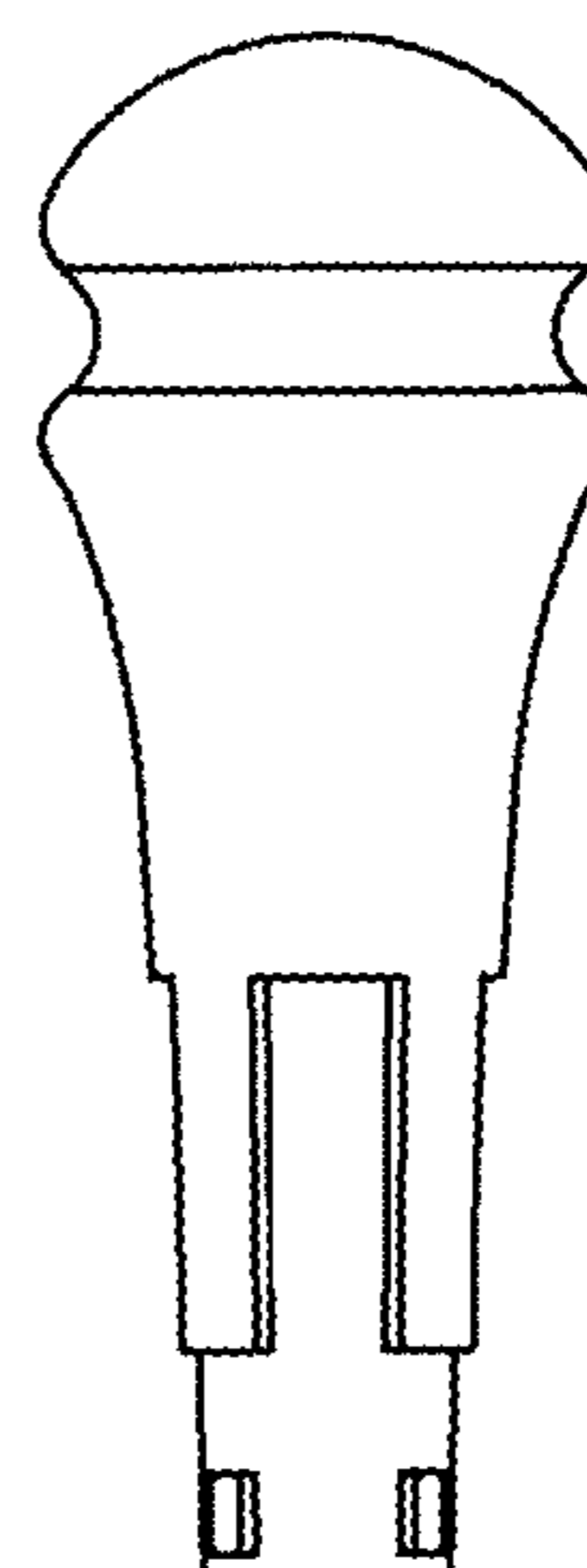


FIG. 21

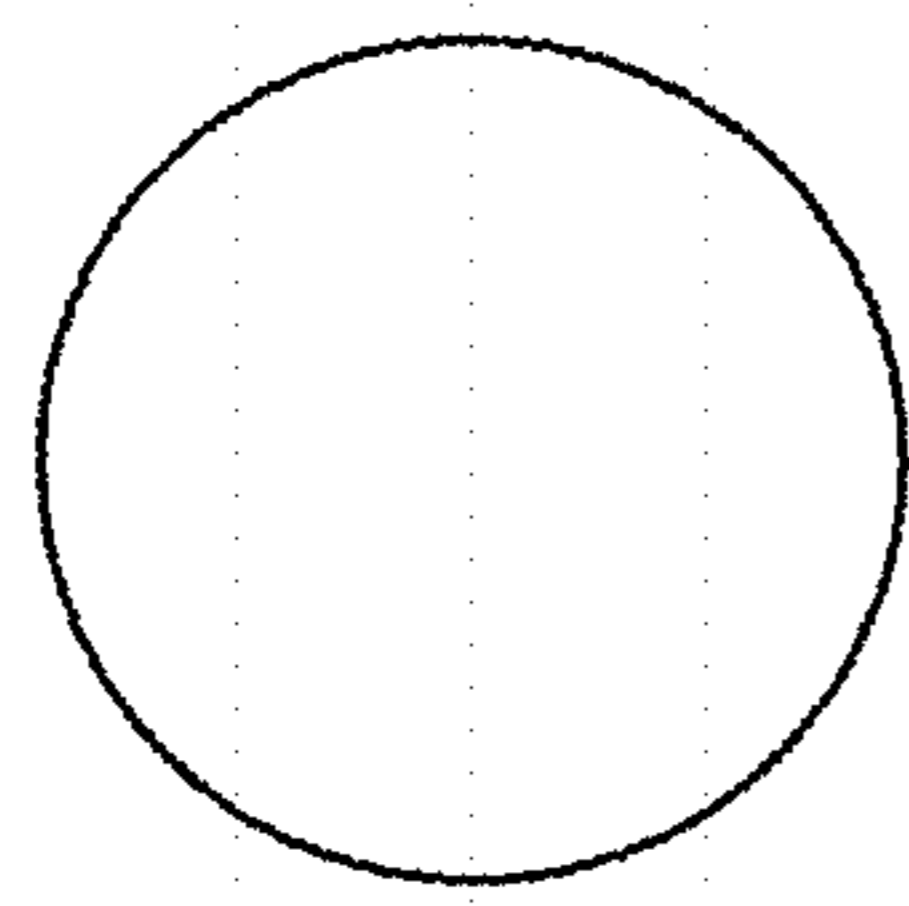


FIG. 22

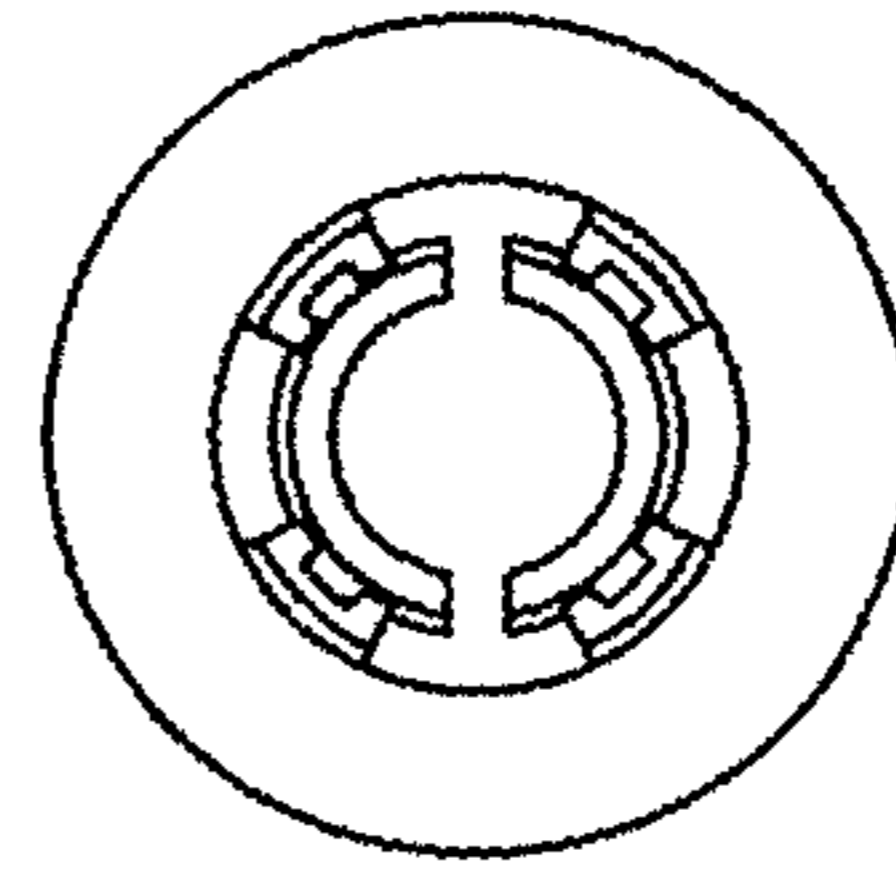


FIG. 23

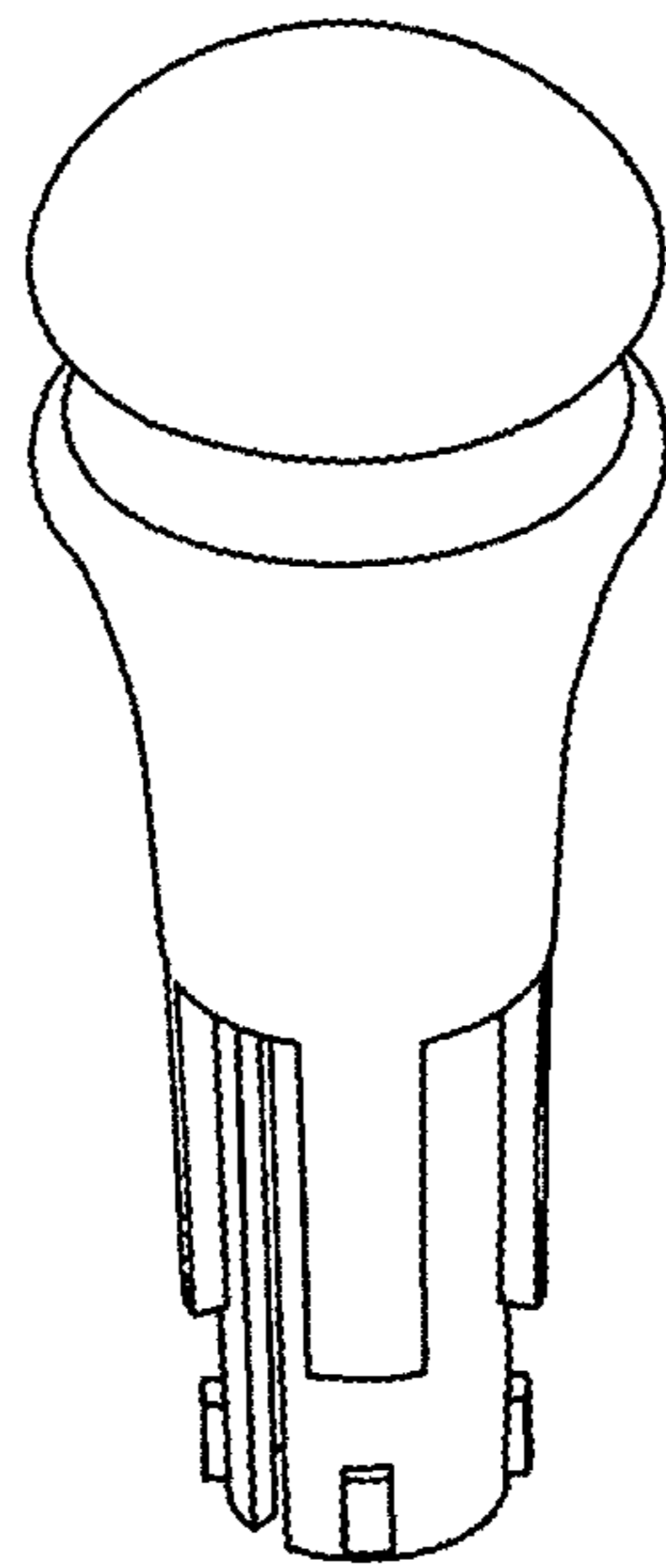


FIG. 24