

US00D909107S

(12) **United States Design Patent** (10) **Patent No.:** **US D909,107 S**
Maager (45) **Date of Patent:** **** Feb. 2, 2021**

(54) **FURNITURE FITTING**

(71) Applicant: **Julius Blum GmbH**, Hoechst (AT)
(72) Inventor: **Frank Maager**, Sulzburg (DE)
(73) Assignee: **JULIUS BLUM GMBH**, Hoechst (AT)
(**) Term: **15 Years**
(21) Appl. No.: **29/691,342**
(22) Filed: **May 15, 2019**

Related U.S. Application Data

(62) Division of application No. 35/504,920, filed on Nov. 7, 2017 (U.S. filing date under 35 U.S.C. 384), and having an international filing date of Nov. 7, 2017, now Pat. No. Des. 859,043.

Foreign Application Priority Data

May 9, 2017 (EM) 003991405-0010

(51) **LOC (13) Cl.** **06-06**

(52) **U.S. Cl.**
USPC **D6/702**

(58) **Field of Classification Search**
USPC D6/702, 705, 705.4, 706, 708, 716.2
CPC A47B 21/06; A47B 91/005; A47B 91/12;
A47B 95/00; A47B 96/00; A47B 96/06;
A47B 96/14; A47B 96/20; A47B 96/201;
A47B 2096/203; A47B 2220/00; A47B
2220/0061

See application file for complete search history.

(56) **References Cited**

U.S. PATENT DOCUMENTS

D543,737	S	*	6/2007	Held	D6/716.2
D590,190	S	*	4/2009	Held	D6/716.2
D789,719	S	*	6/2017	Van Hoecke	A47B 88/941 D6/705.4
D859,043	S	*	9/2019	Maager	D6/702
D869,212	S	*	12/2019	Maager	D6/702
D881,617	S	*	4/2020	Schwarzmann	D6/705
2017/0135467	A1	*	5/2017	Dutertre	A23K 50/10
2020/0288865	A1	*	9/2020	Kampl	A47B 88/941

* cited by examiner

Primary Examiner — Mary Ann Calabrese

(74) *Attorney, Agent, or Firm* — Wenderoth, Lind & Ponack, L.L.P.

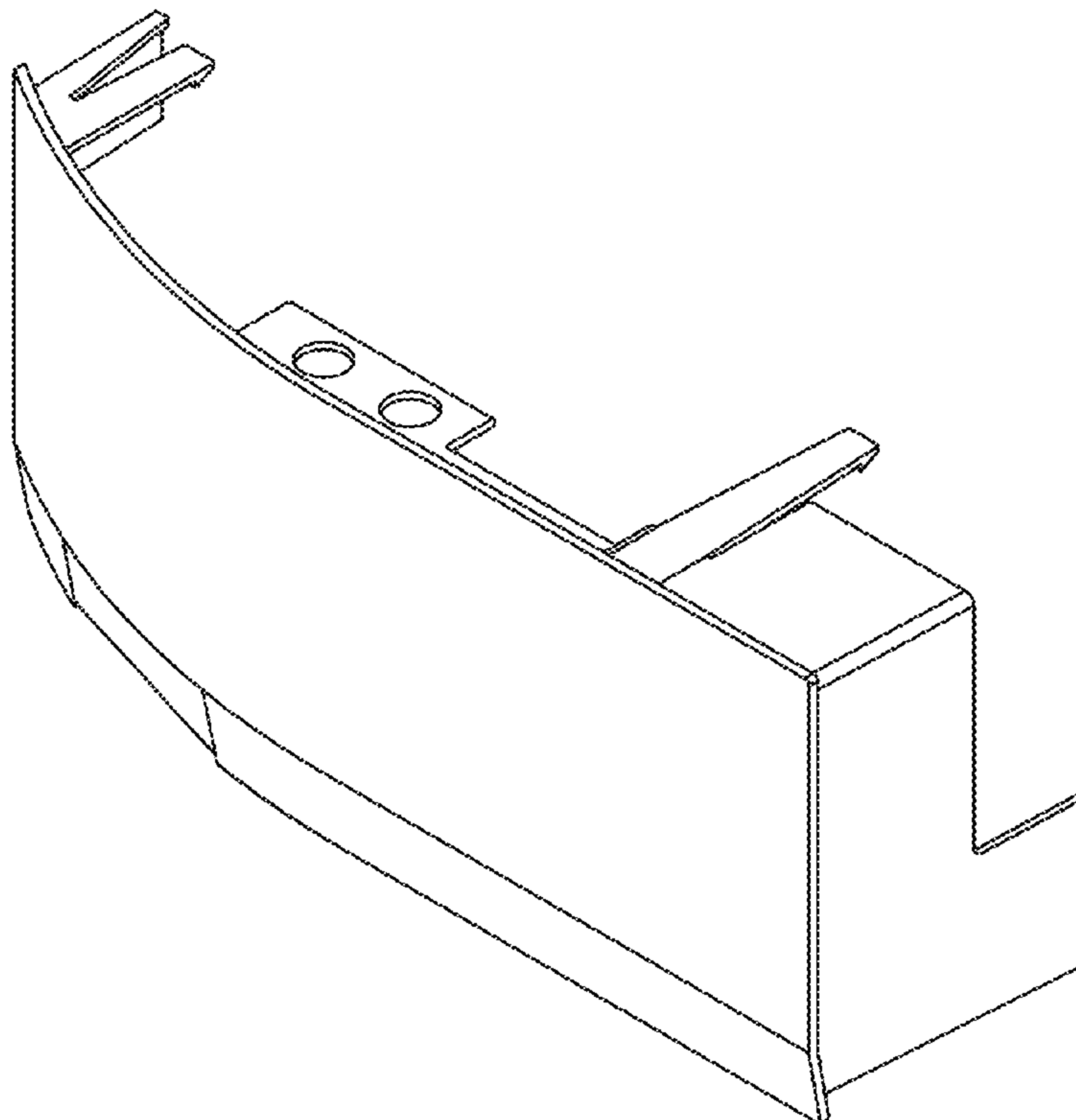
(57) **CLAIM**

The ornamental design for a furniture fitting, as shown and described.

DESCRIPTION

FIG. 1 is a front perspective view of a furniture fitting;
FIG. 2 is a front view thereof;
FIG. 3 is a left side view thereof;
FIG. 4 is a rear view thereof;
FIG. 5 is a right side view thereof;
FIG. 6 is a top view thereof; and,
FIG. 7 is a bottom view thereof.

1 Claim, 7 Drawing Sheets



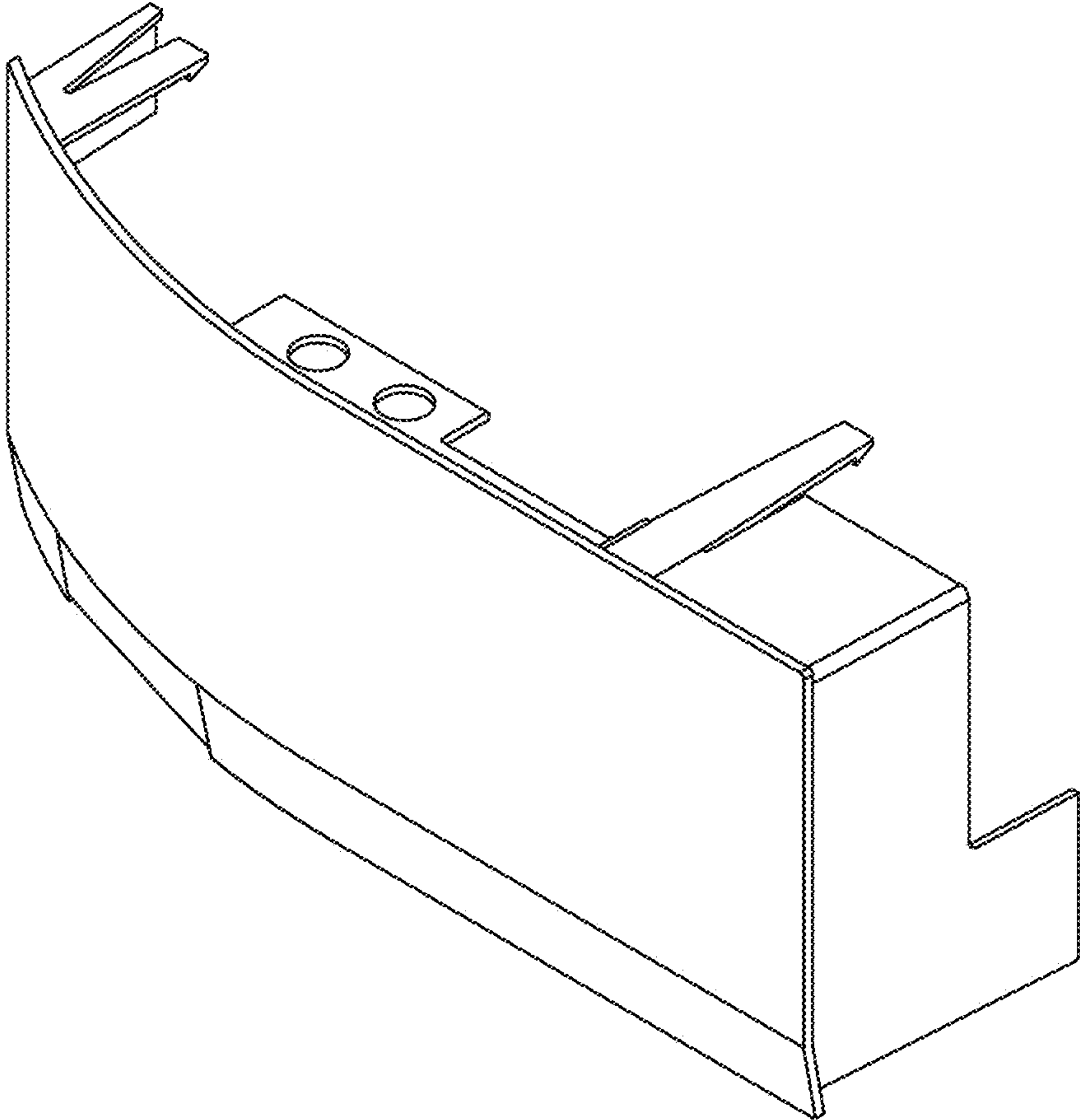


Fig. 1

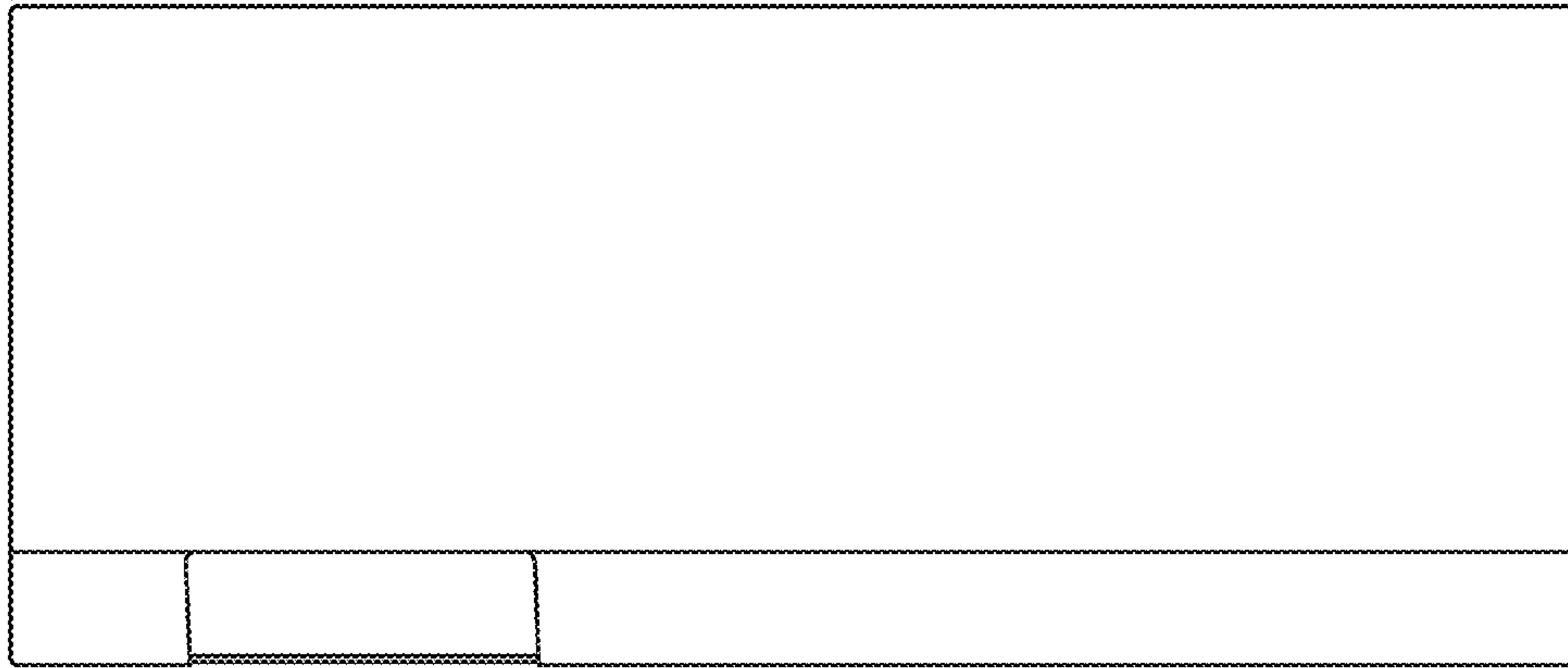


Fig. 2

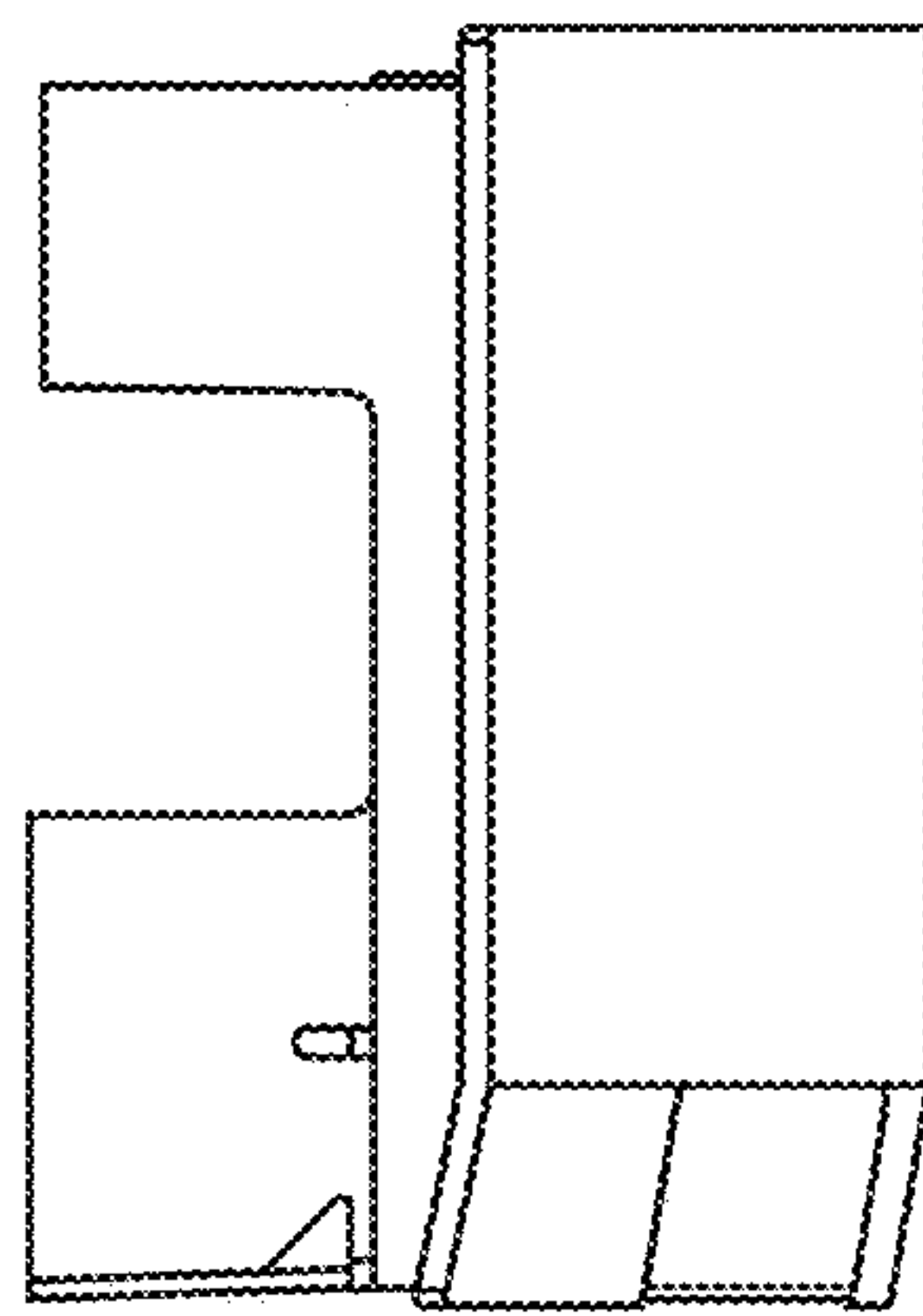


Fig. 3

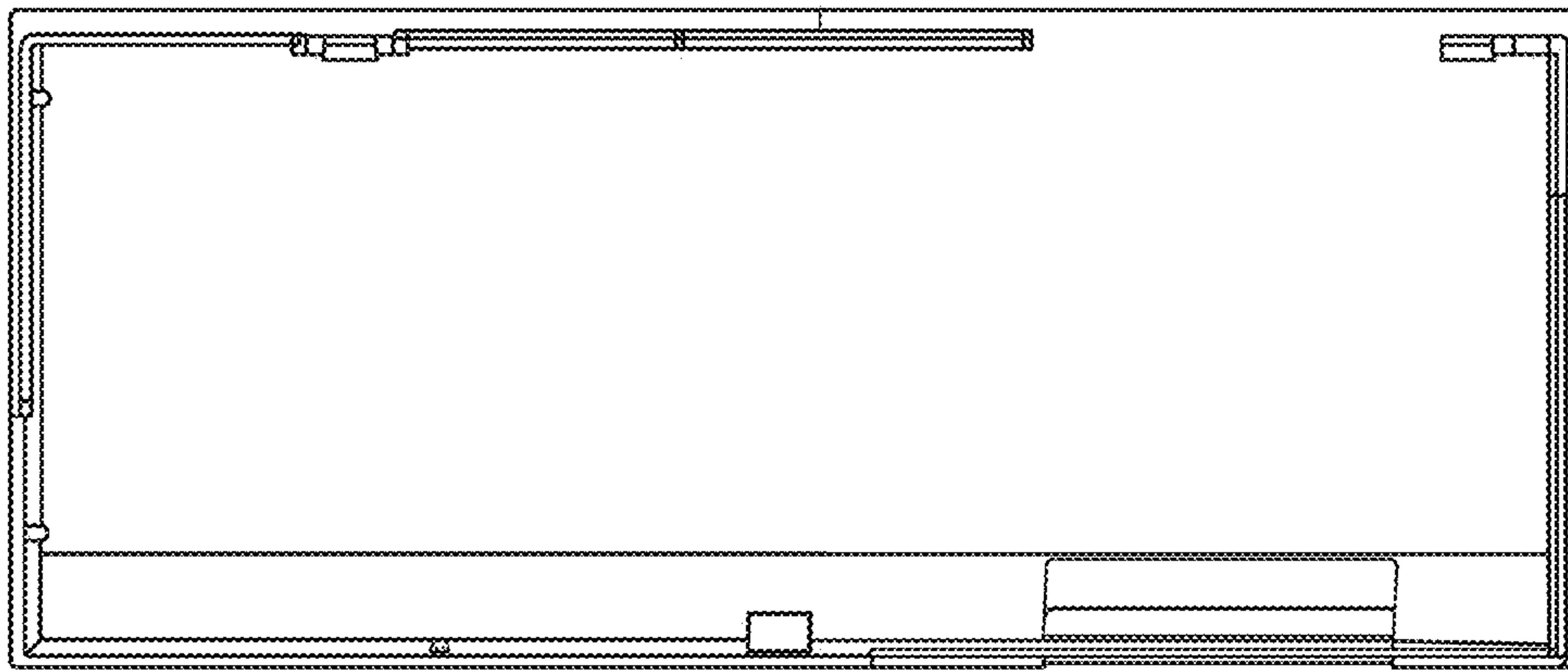


Fig. 4

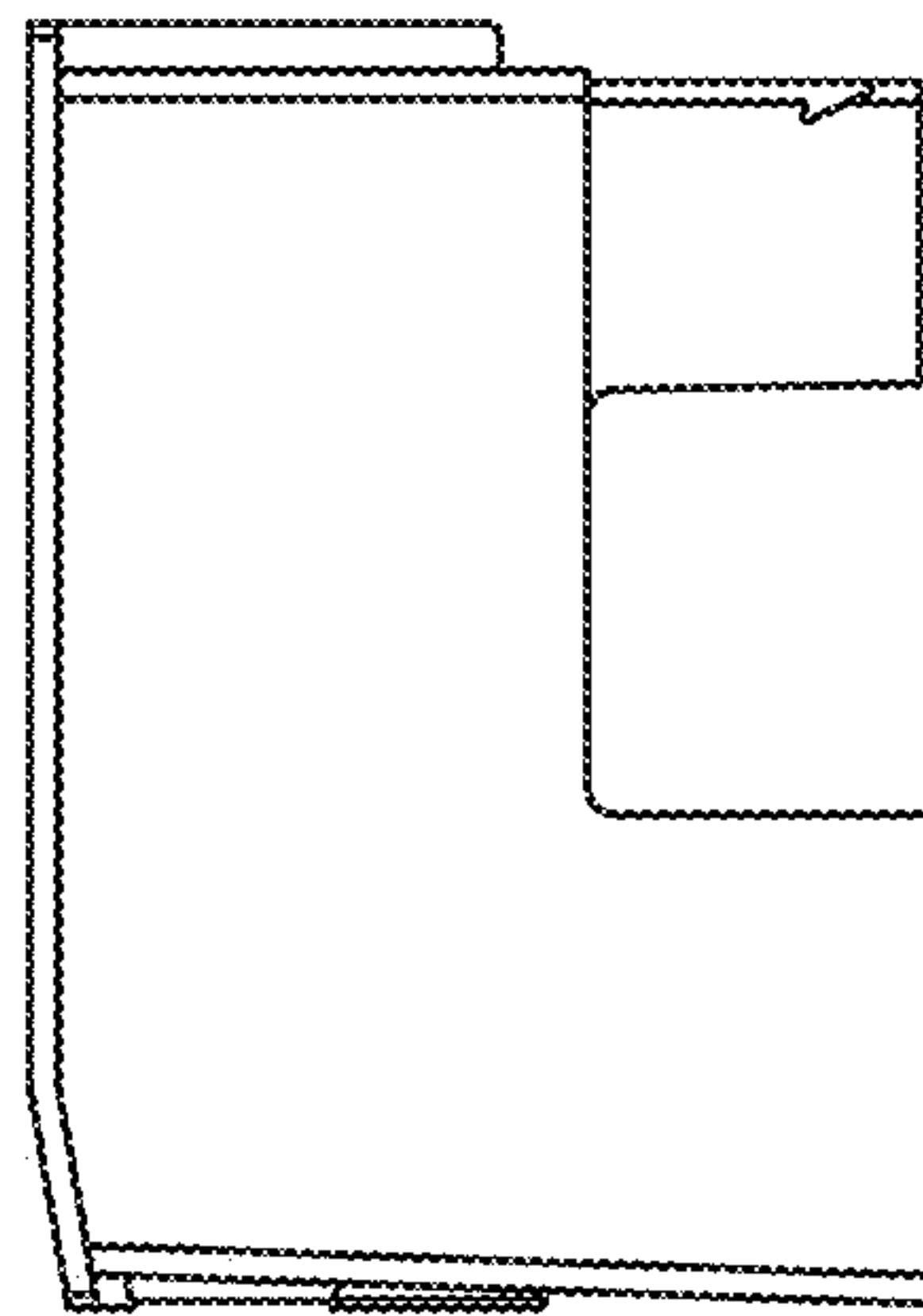


Fig. 5

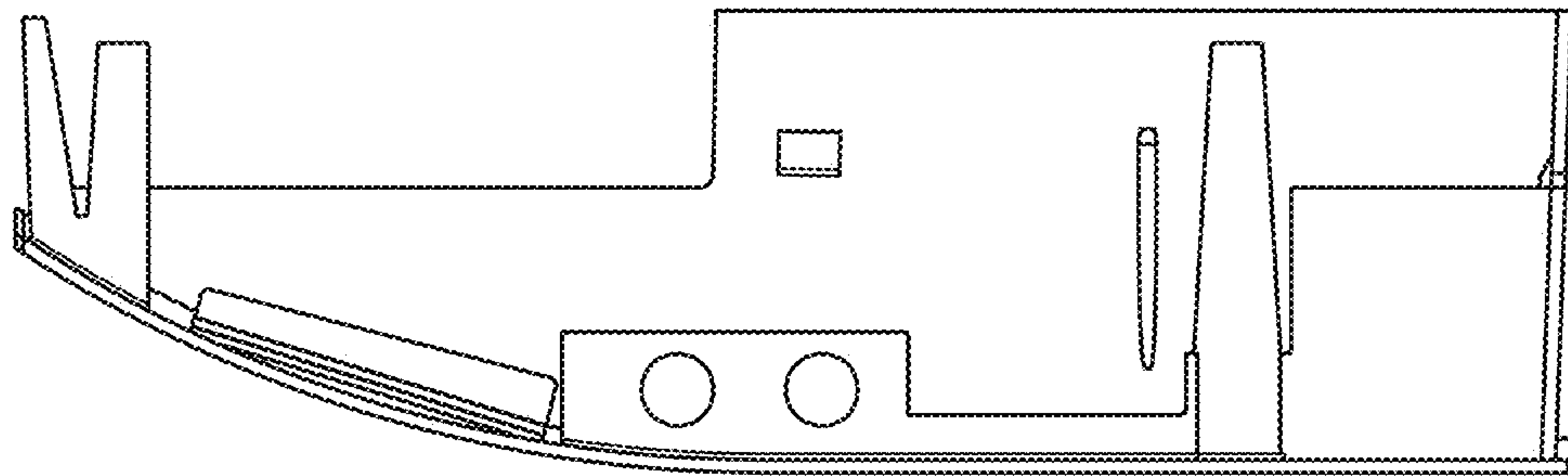


Fig. 6

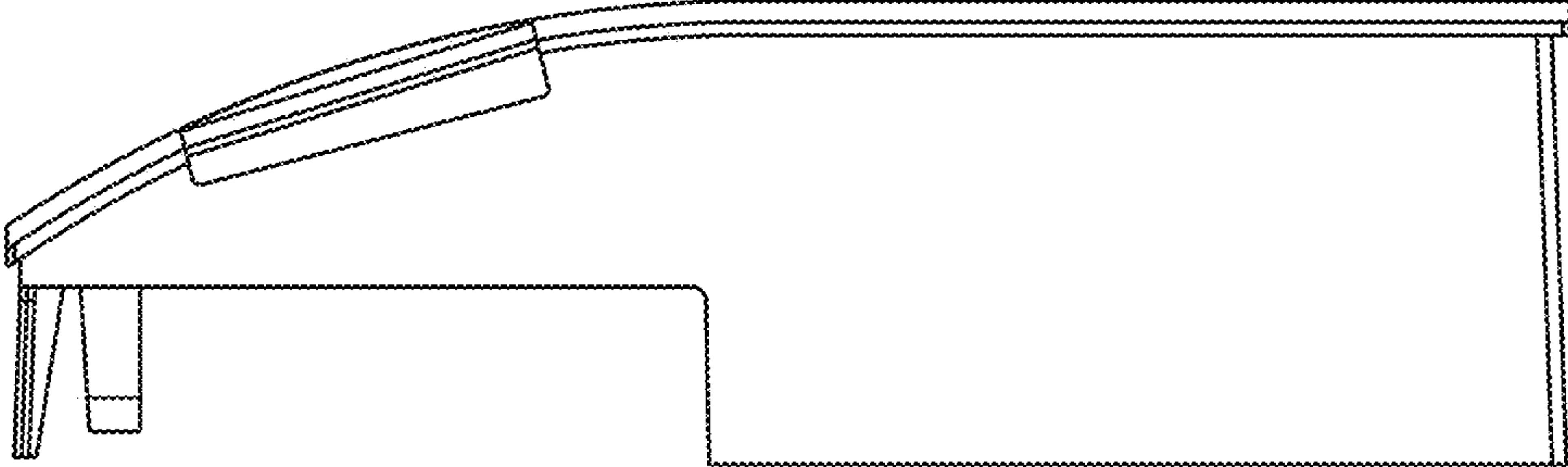


Fig. 7