



US00D909103S

(12) **United States Design Patent**
Muller

(10) **Patent No.:** **US D909,103 S**

(45) **Date of Patent:** **** Feb. 2, 2021**

- (54) **BAR**
- (71) Applicant: **Elite Manufacturing Corporation**,
Santa Fe Springs, CA (US)
- (72) Inventor: **Carl Muller**, Seal Beach, CA (US)
- (73) Assignee: **Elite Manufacturing Corporation**,
Santa Fe Springs, CA (US)
- (**) Term: **15 Years**
- (21) Appl. No.: **29/663,278**
- (22) Filed: **Sep. 13, 2018**
- (51) **LOC (13) Cl.** **06-06**
- (52) **U.S. Cl.**
USPC **D6/678.1**
- (58) **Field of Classification Search**
USPC D6/672, 675, 675.1, 675.2, 675.3, 675.4,
D6/675.5, 678, 678.1
CPC A47F 1/00; A47F 1/04; A47F 7/00; A47F
7/28; A47F 9/00; A47F 9/005; A47B
73/00; A47B 81/02; A47B 46/00; A47B
49/002; A47B 49/004
See application file for complete search history.

- D276,565 S * 11/1984 Cortina D34/21
- D347,755 S * 6/1994 Houston D6/699
- D417,981 S * 12/1999 Zwicker D6/699.1
- D652,655 S * 1/2012 Parizek D6/698
- D671,769 S * 12/2012 Olson D6/662.1
- D724,364 S * 3/2015 DeMars D6/699
- D863,833 S * 10/2019 Moore D6/648
- D887,187 S * 6/2020 Ravid D6/675.1

* cited by examiner

Primary Examiner — Kelley A Donnelly

(74) *Attorney, Agent, or Firm* — Stetina Brunda Garred
and Brucker

(57) **CLAIM**

The ornamental design for a bar, as shown and described.

DESCRIPTION

FIG. 1 is a front perspective view of the bar of the present invention having a pivoting upper bar surface showing my new design;

FIG. 2 is a rear perspective view thereof;

FIG. 3 is a top plan view thereof;

FIG. 4 is a front elevational view thereof;

FIG. 5 is a bottom plan view thereof;

FIG. 6 is a left side view thereof;

FIG. 7 is a right side view thereof;

FIG. 8 is a rear elevational view thereof;

FIG. 9 is a top plan view illustrating a different orientation of the upper bar surface of the present invention; and,

FIG. 10 is an upper plan view of the bar of the present invention illustrating the upper bar surface in an additional orientation.

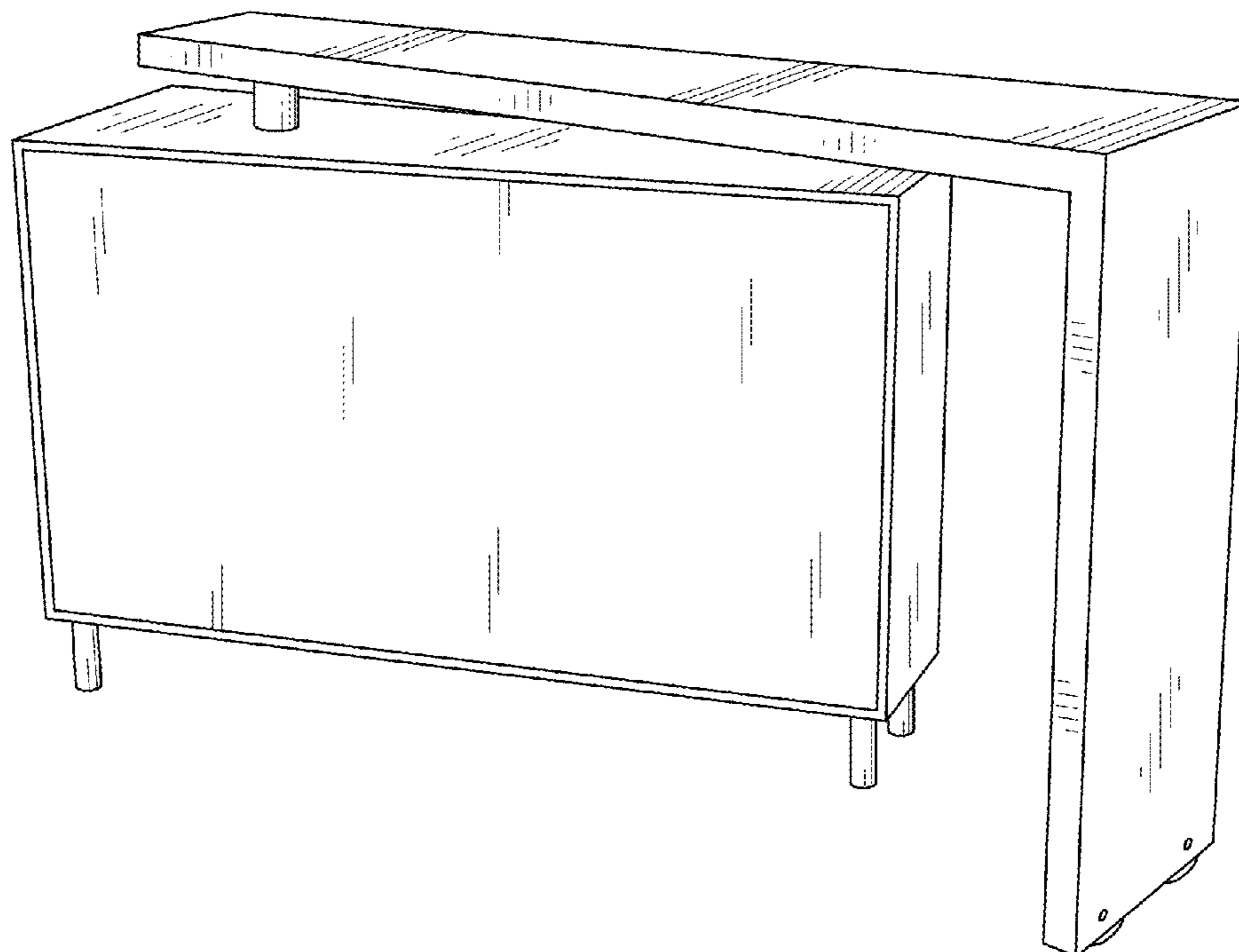
The dotted lines shown in the figures do not form a part of the claimed design.

(56) **References Cited**

U.S. PATENT DOCUMENTS

- D111,648 S * 10/1938 Canterbury D23/271
- D115,404 S * 6/1939 Hobson D6/678.1
- 3,169,811 A * 2/1965 Stewart F16B 12/02
312/140.1
- D219,279 S * 11/1970 Beavers D6/648
- D244,924 S * 7/1977 Scheibner D34/21
- D255,516 S * 6/1980 Pittman D6/699

1 Claim, 4 Drawing Sheets



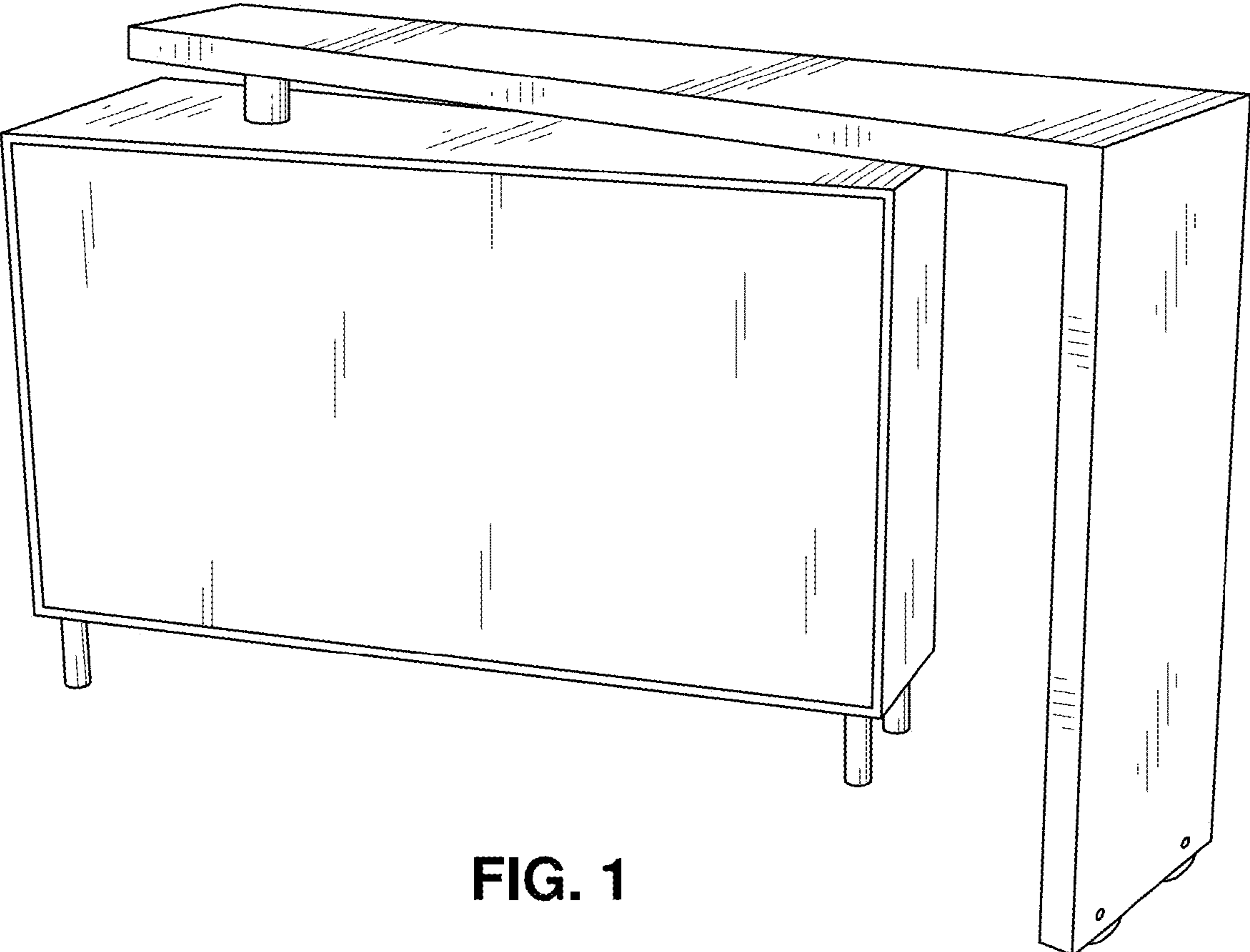


FIG. 1

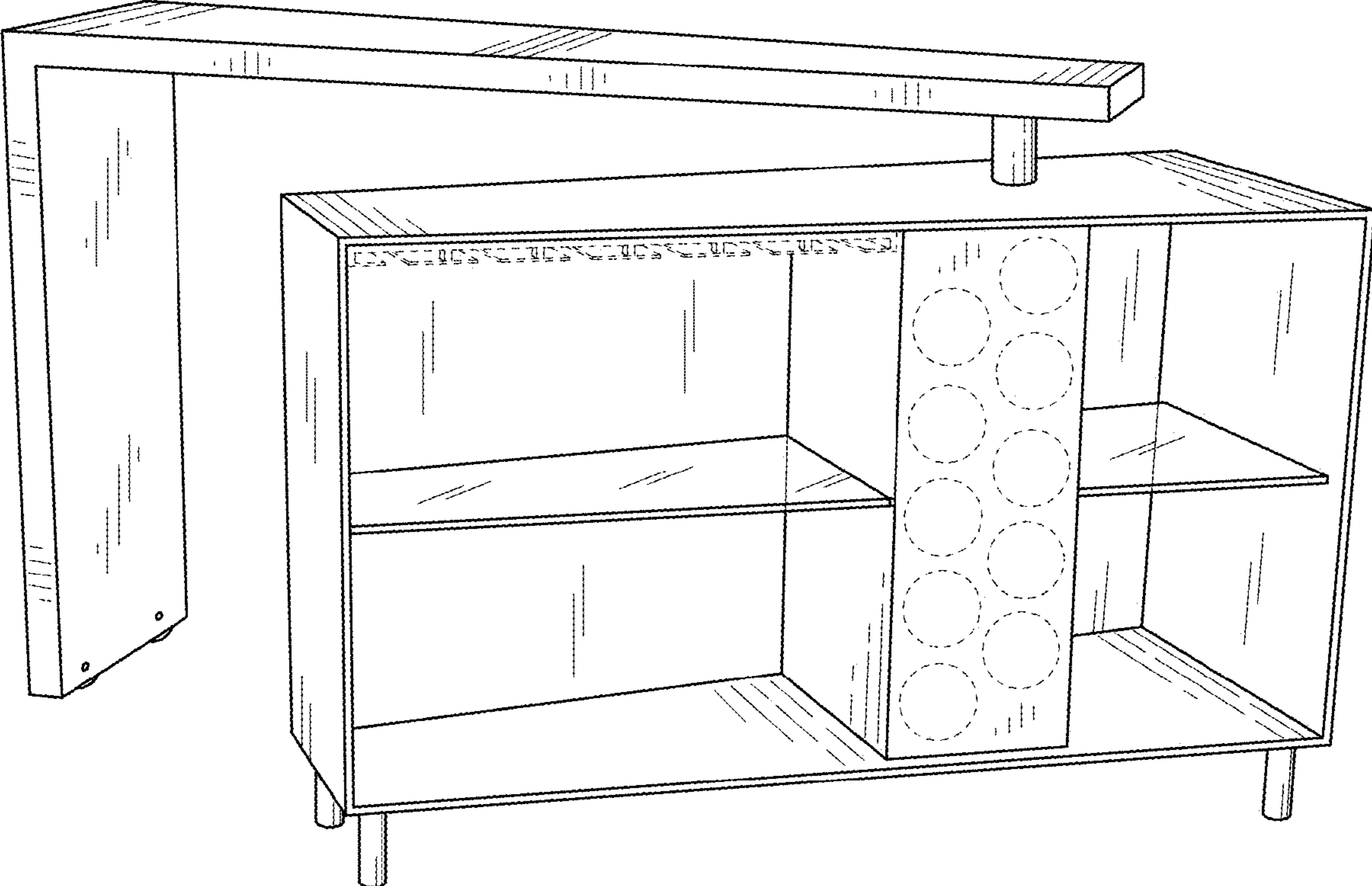


FIG. 2

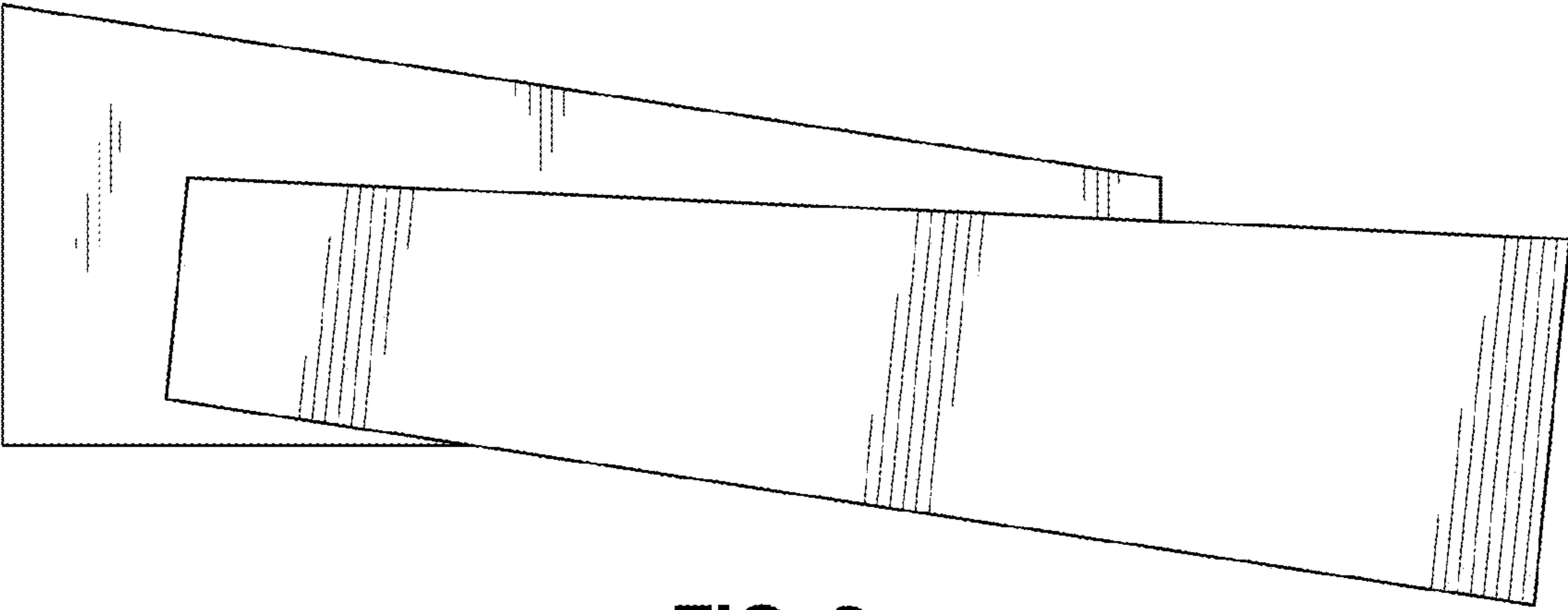


FIG. 3

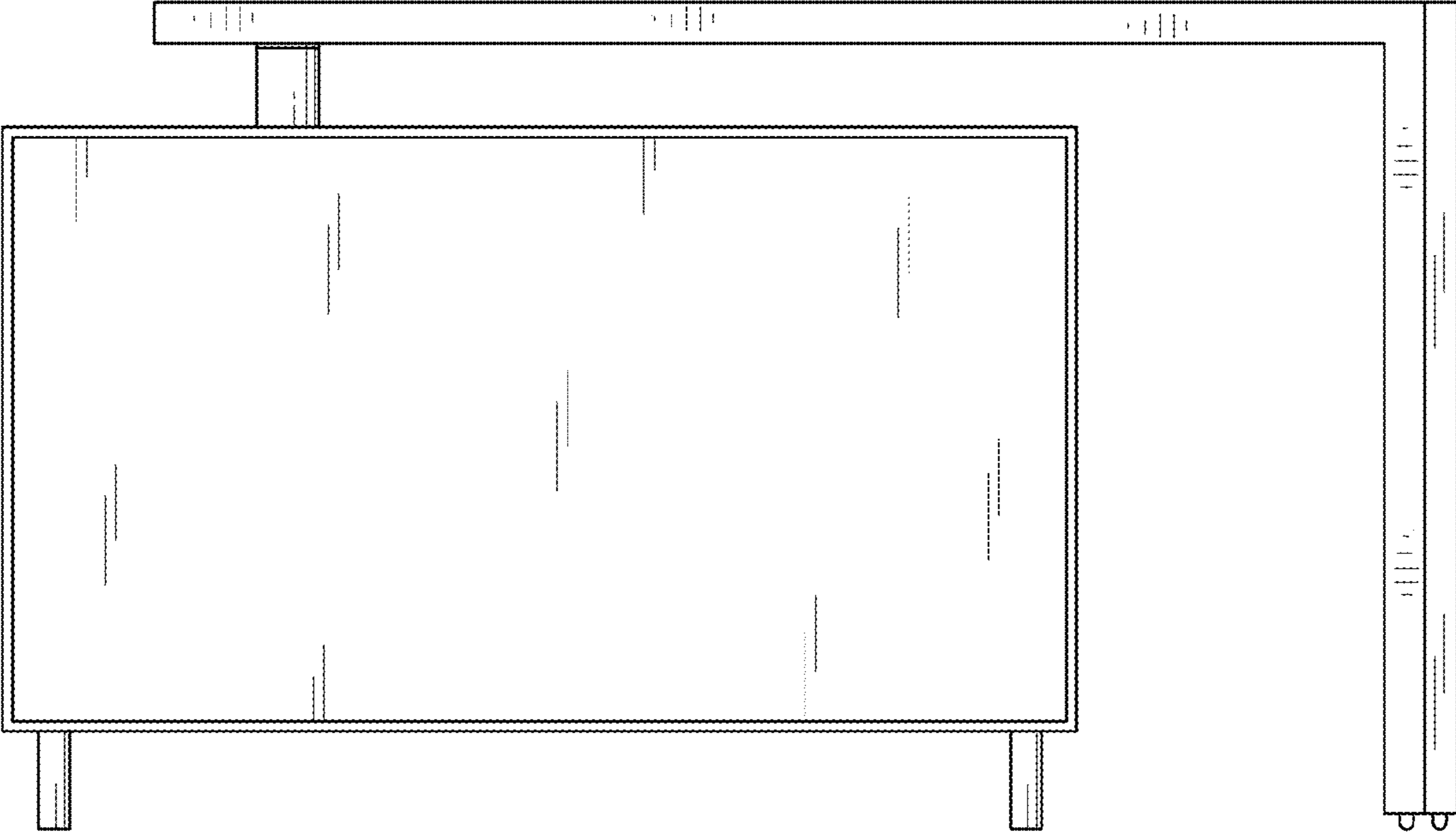


FIG. 4

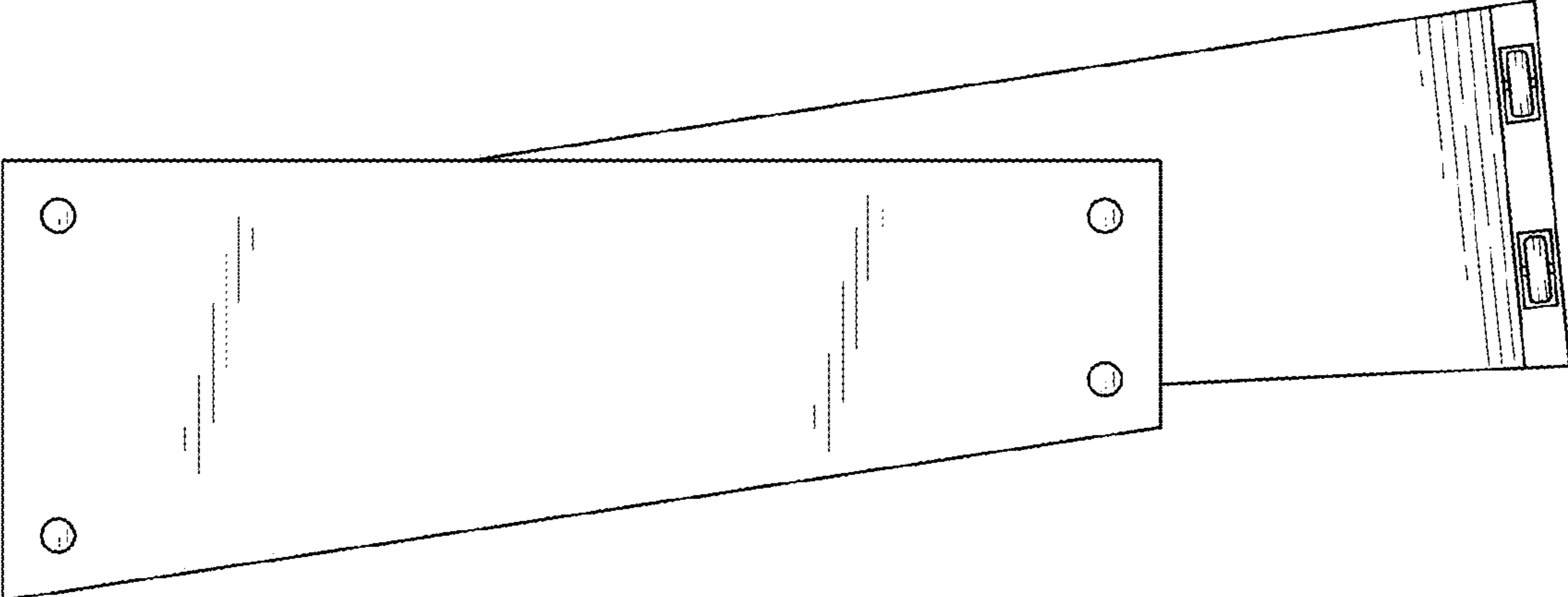


FIG. 5

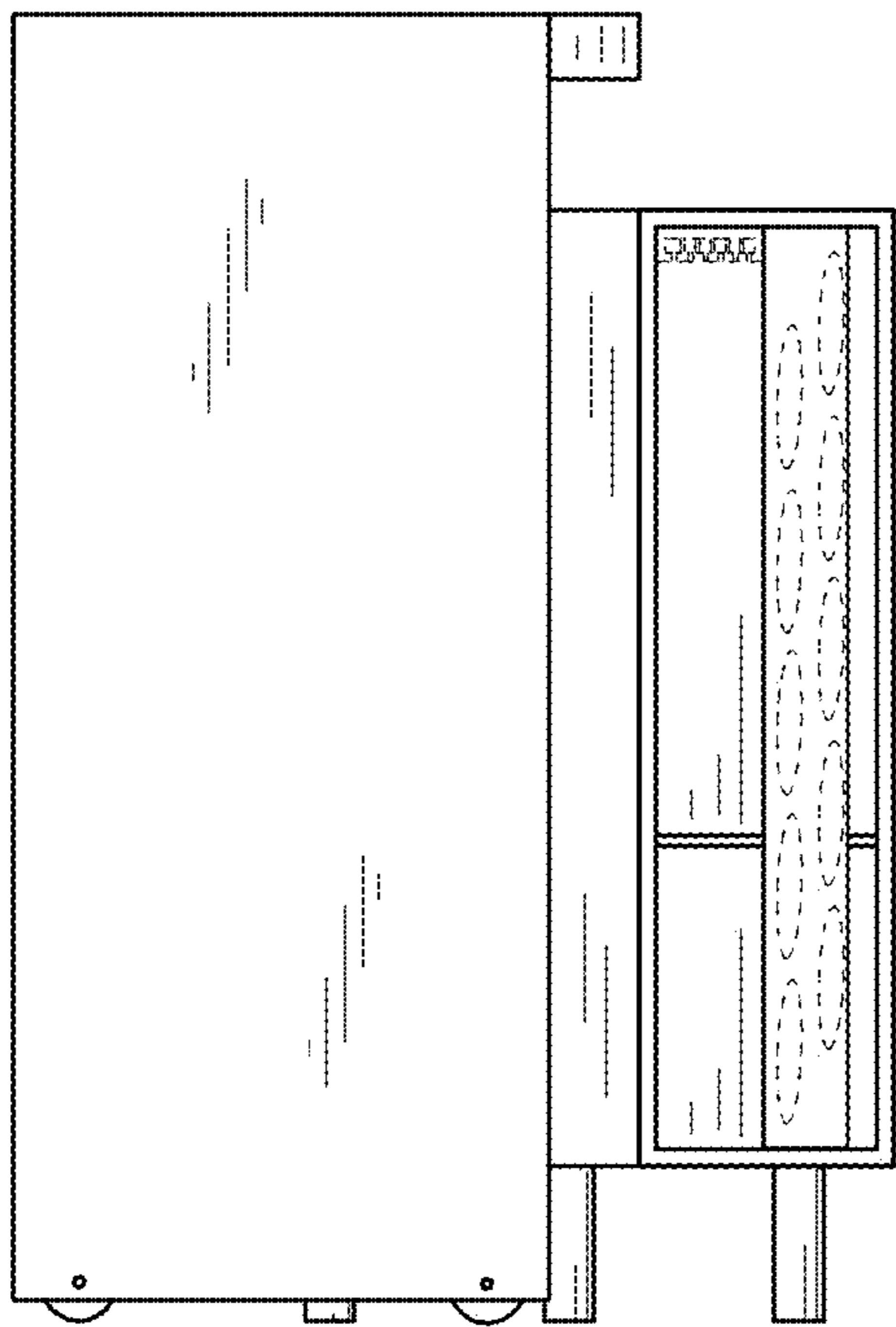


FIG. 6



FIG. 7

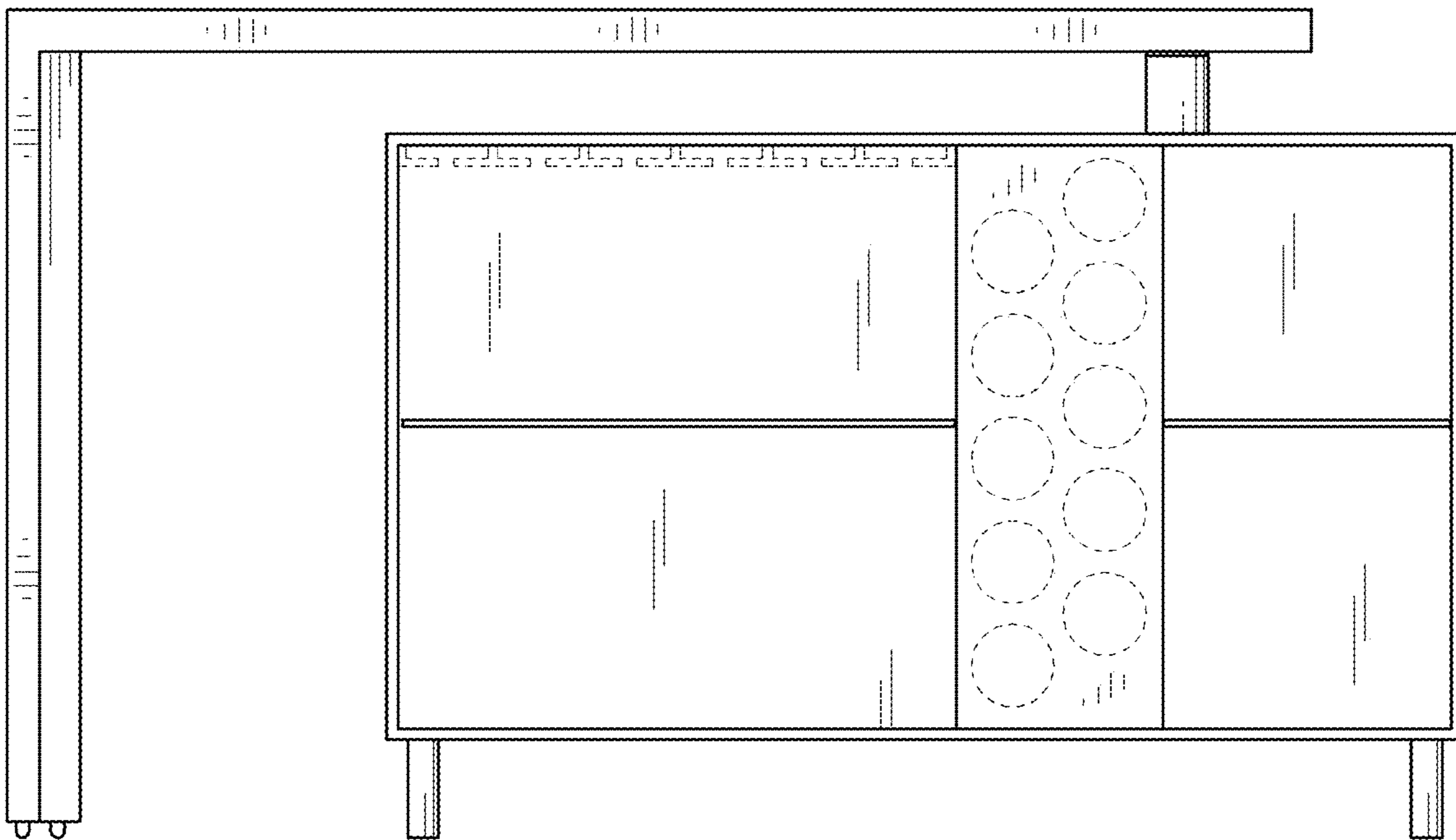


FIG. 8

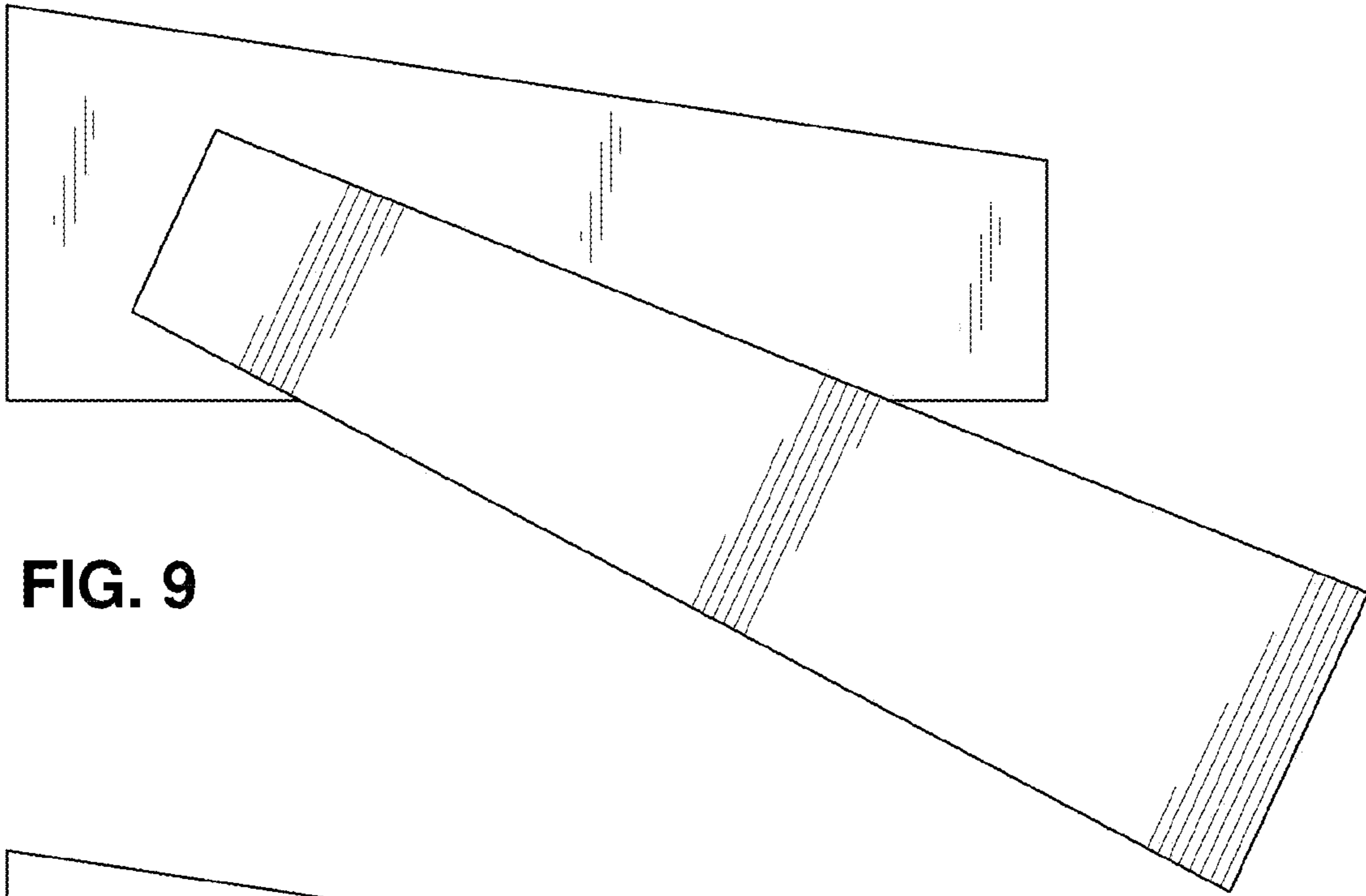


FIG. 9

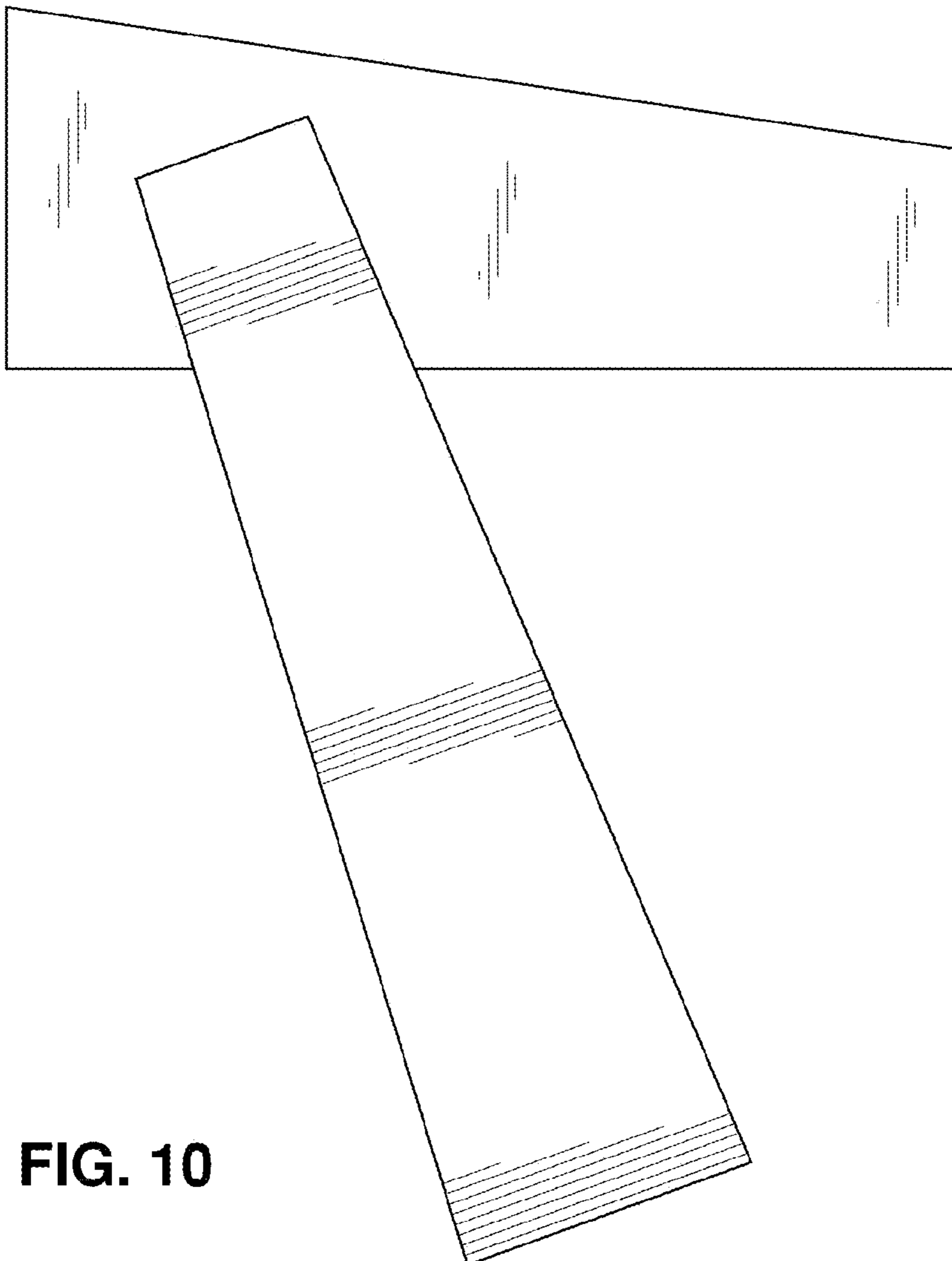


FIG. 10