



US00D909101S

(12) **United States Design Patent**  
**Benton**

(10) **Patent No.:** **US D909,101 S**

(45) **Date of Patent:** **\*\* Feb. 2, 2021**

(54) **CORNER STORAGE UNIT**

(71) Applicant: **Erica Benton**, Ft. Myers, FL (US)

(72) Inventor: **Erica Benton**, Ft. Myers, FL (US)

(\*\*) Term: **15 Years**

(21) Appl. No.: **29/704,157**

(22) Filed: **Sep. 3, 2019**

(51) **LOC (13) Cl.** ..... **06-04**

(52) **U.S. Cl.**  
USPC ..... **D6/668.2**

(58) **Field of Classification Search**  
USPC ..... D6/562, 657, 661.1, 662, 668, 668.1,  
D6/668.2, 671, 671.1, 671.4, 676  
CPC ..... A47B 67/00; A47B 67/005; A47B 67/04;  
A47B 79/00; A47B 61/00  
See application file for complete search history.

D380,625 S \* 7/1997 Yeh ..... D6/668.2  
6,908,000 B2 6/2005 Craft  
6,991,305 B2 1/2006 Gallea  
D560,078 S \* 1/2008 Burton ..... D6/657  
D560,387 S \* 1/2008 Mayer ..... D6/668.2  
9,357,844 B2 6/2016 O'Hara  
D891,826 S \* 8/2020 Sumlin ..... D6/668.2

**FOREIGN PATENT DOCUMENTS**

WO 03065850 8/2003

\* cited by examiner

*Primary Examiner* — Cathron C Brooks

(57) **CLAIM**

I claim the ornamental design for a corner storage unit, as shown and described.

**DESCRIPTION**

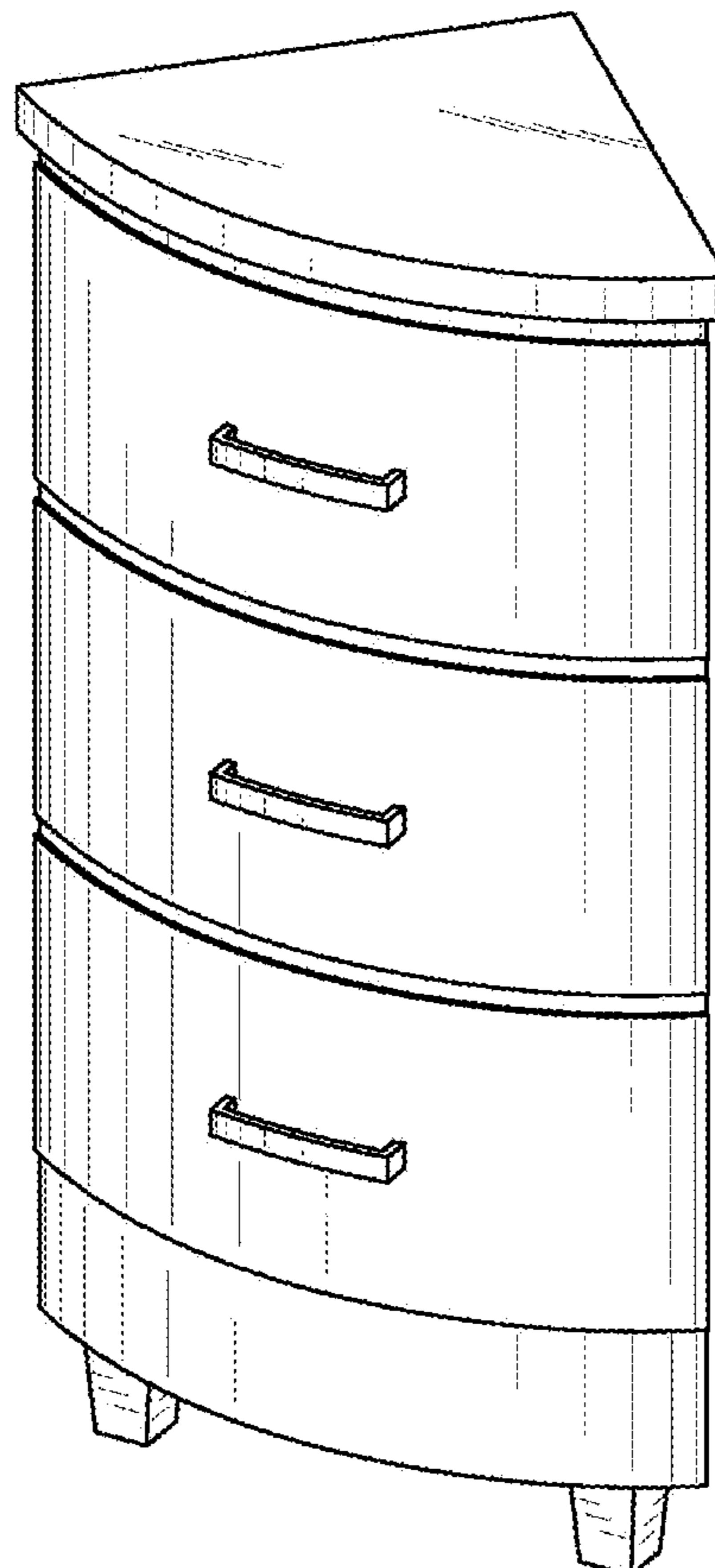
FIG. 1 is a front view of the corner storage unit.  
FIG. 2 is a rear view of the claimed design.  
FIG. 3 is a left side view of the claimed design.  
FIG. 4 is a right side view of the claimed design.  
FIG. 5 is a top view of the claimed design.  
FIG. 6 is a bottom view of the claimed design; and,  
FIG. 7 is a perspective view of the claimed design.

**1 Claim, 5 Drawing Sheets**

(56) **References Cited**

**U.S. PATENT DOCUMENTS**

D116,574 S \* 9/1939 Pellegrin et al. .... D6/668  
D160,123 S \* 9/1950 Reinheinner et al. .... D6/668.1  
2,941,659 A 6/1960 Thrower  
3,906,872 A 9/1975 Erickson  
4,244,301 A 1/1981 Nakatsu  
4,360,240 A 11/1982 Koncelik  
4,760,800 A 8/1988 Hanson



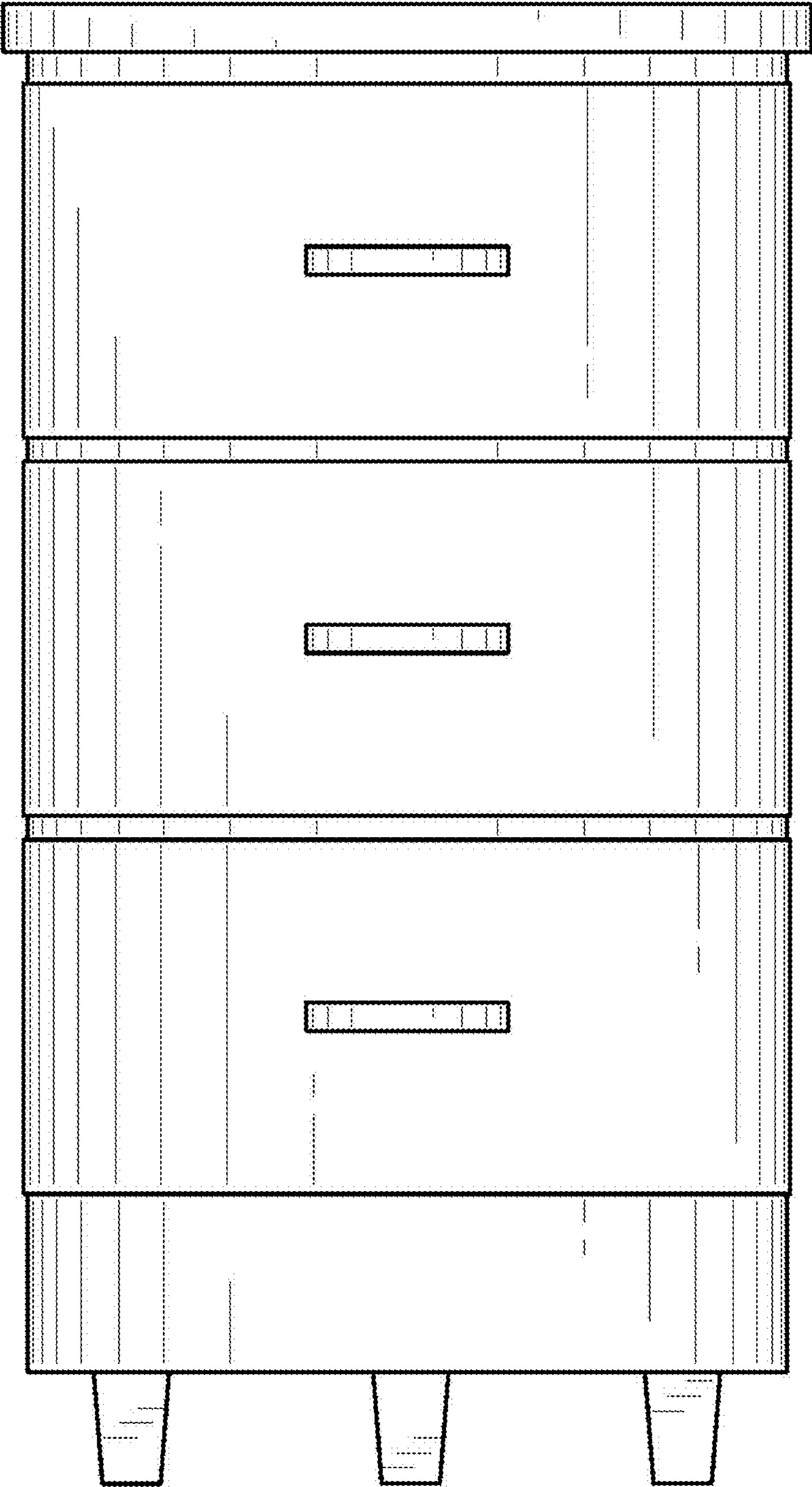


FIG. 1

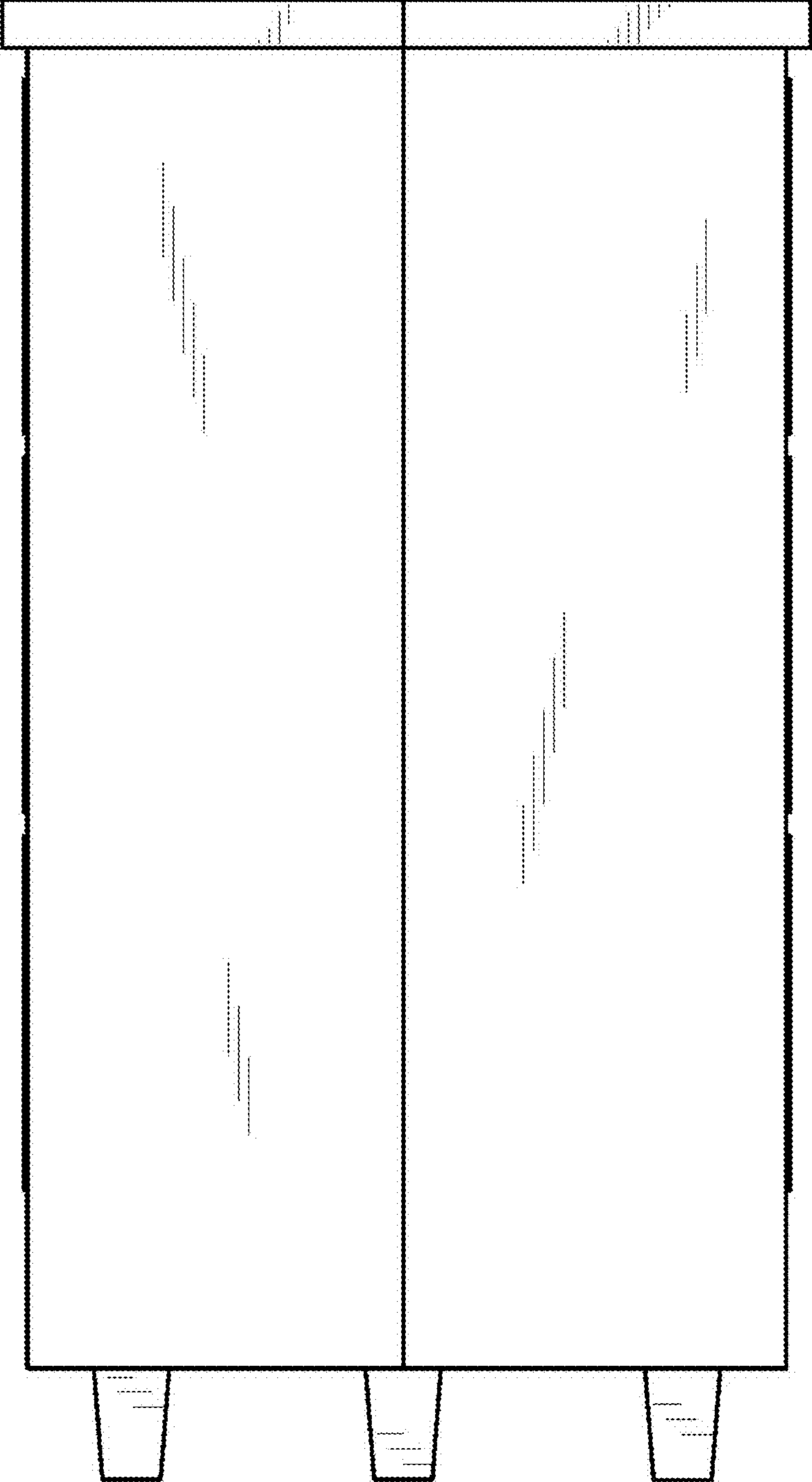


FIG. 2

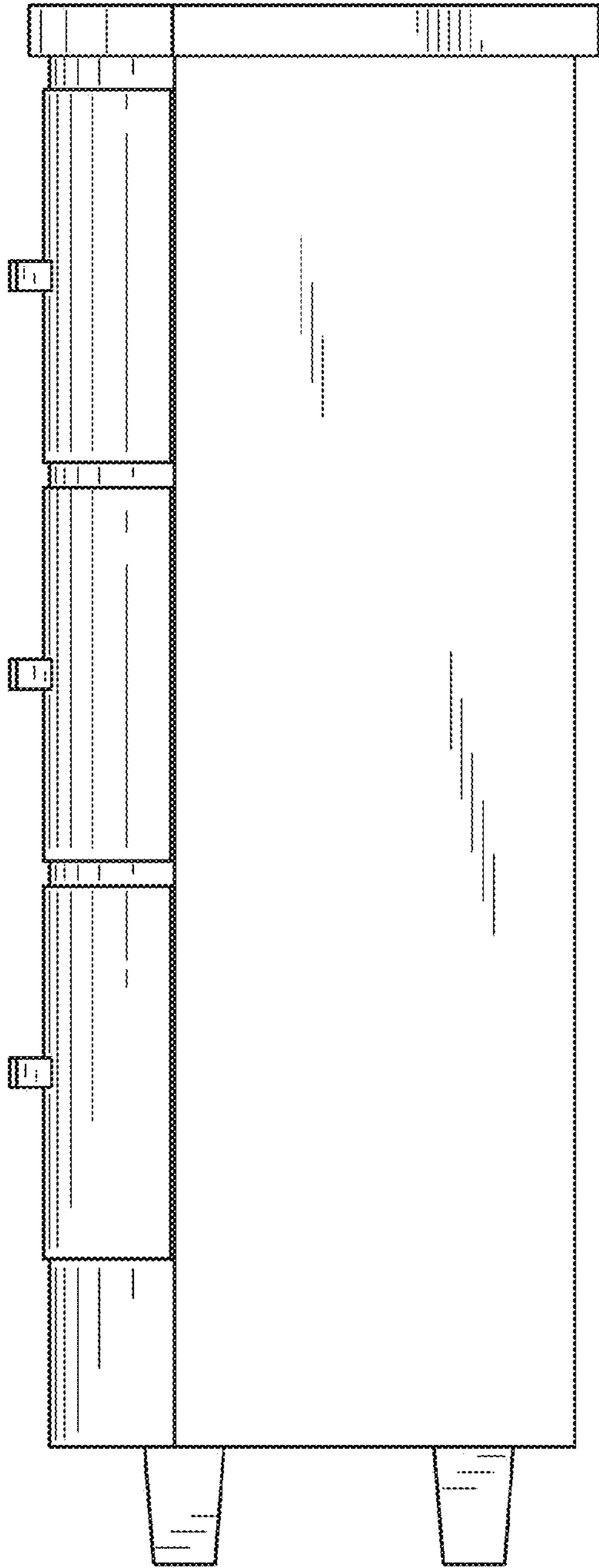


FIG. 3

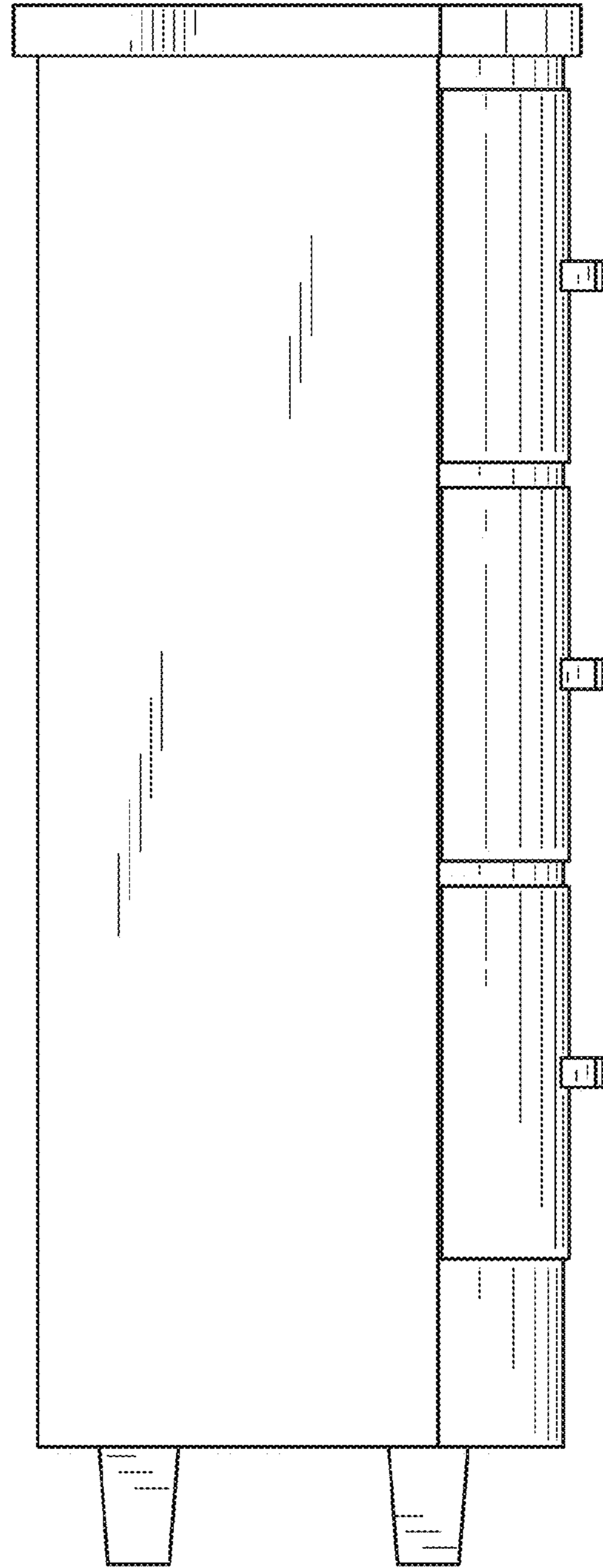


FIG. 4

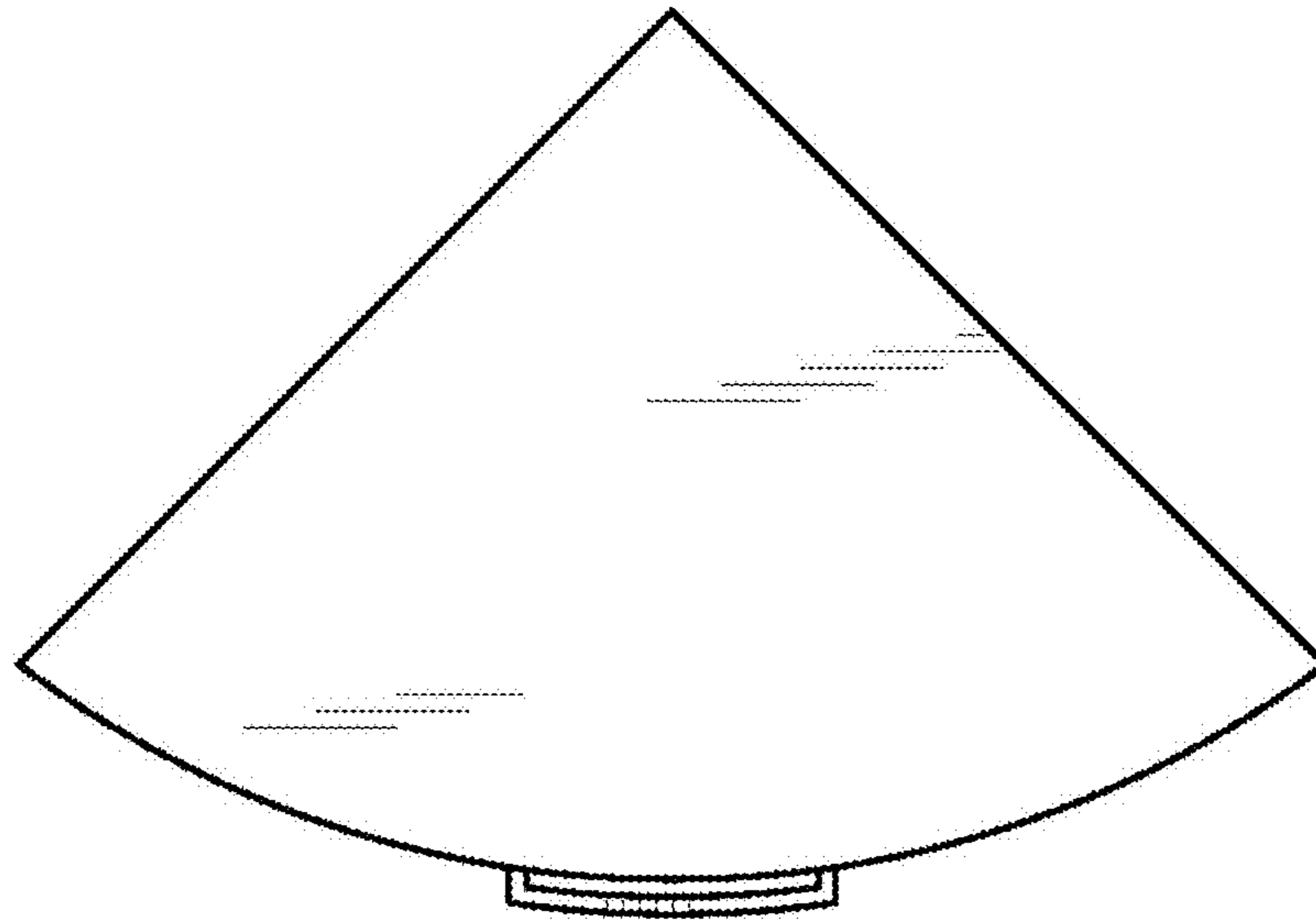


FIG. 5

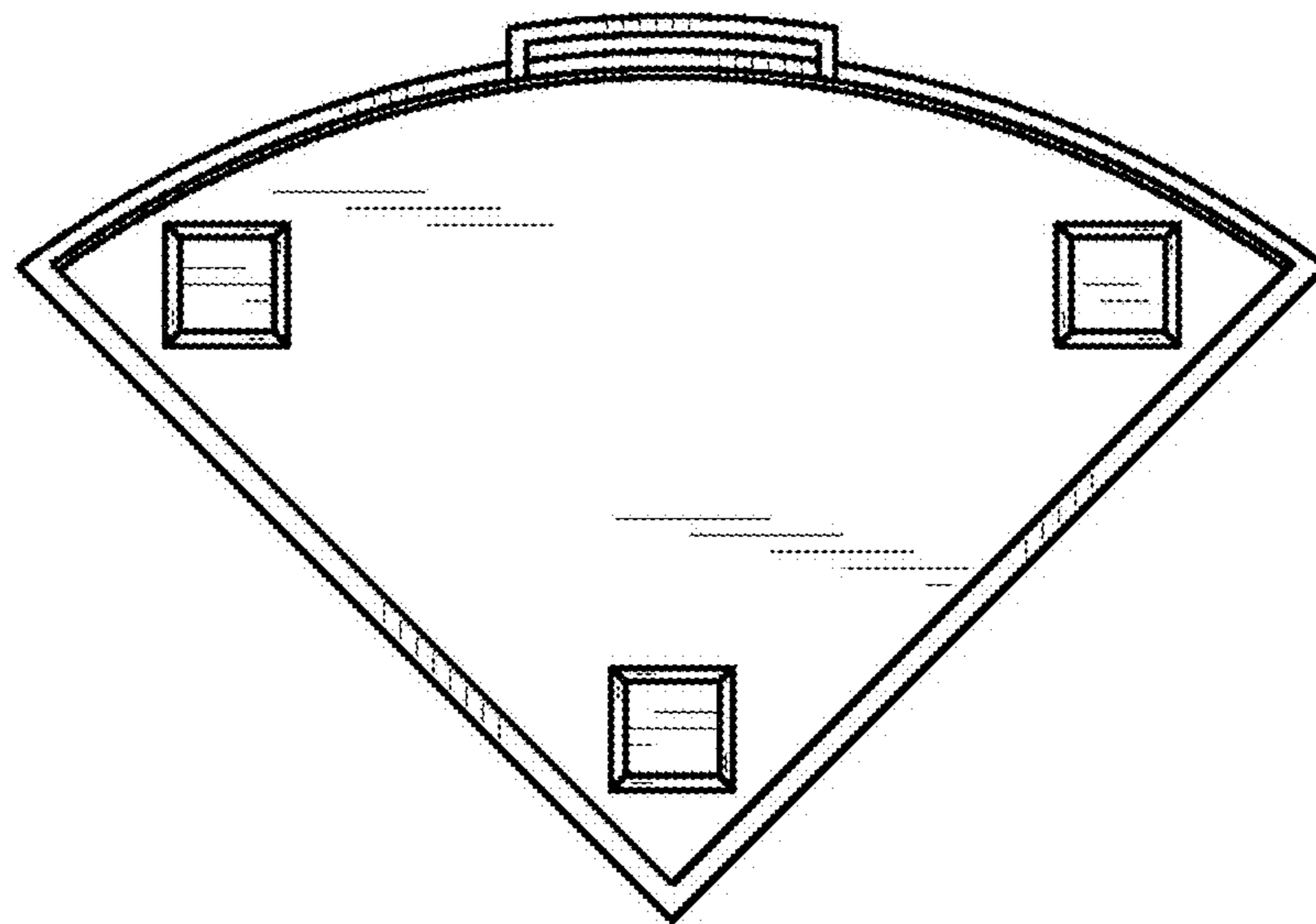


FIG. 6

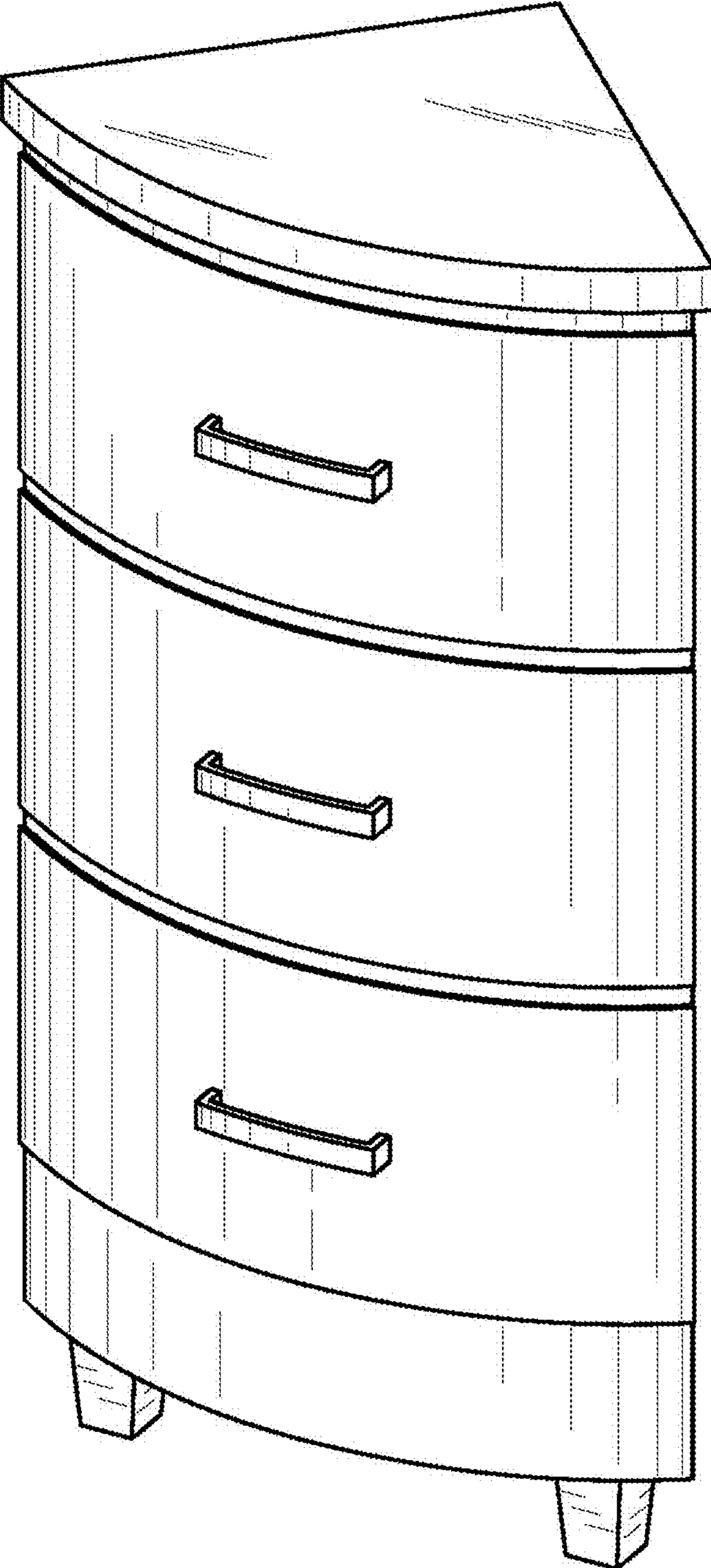


FIG. 7