



US00D909100S

(12) **United States Design Patent**  
**Joseph**

(10) **Patent No.:** **US D909,100 S**

(45) **Date of Patent:** **\*\* Feb. 2, 2021**

- (54) **COMPACT SHELF ORGANIZER**
- (71) Applicant: **JOSEPH JOSEPH, LTD.**, London (GB)
- (72) Inventor: **Antony Joseph**, London (GB)
- (73) Assignee: **JOSEPH JOSEPH, LTD.**, London (GB)
- (\*\*) Term: **15 Years**
- (21) Appl. No.: **29/699,101**
- (22) Filed: **Jul. 23, 2019**

- 5,464,295 A \* 11/1995 Dailot ..... E05D 3/12  
16/DIG. 29
  - D372,374 S \* 8/1996 Weterrings ..... A47F 7/02  
D6/663
  - D465,353 S \* 11/2002 Hessel ..... D6/661
  - D507,431 S \* 7/2005 Goth ..... E05D 3/12  
D6/675.3
  - D524,577 S \* 7/2006 Gusdorf ..... A47F 7/022  
D6/675.3
  - D802,370 S \* 11/2017 Tsai ..... D7/600.4
  - D813,575 S \* 3/2018 Kraemer ..... D6/675.3
  - D844,349 S \* 4/2019 Burton ..... A47B 45/00  
D6/672
  - D885,092 S \* 5/2020 Greenwood ..... D6/675.3
- (Continued)

(30) **Foreign Application Priority Data**

Jan. 23, 2019 (EM) ..... 006082186-0001

- (51) **LOC (13) Cl.** ..... **06-04**
- (52) **U.S. Cl.**  
USPC ..... **D6/662.1; D6/675.3**

(58) **Field of Classification Search**

USPC ..... D6/657, 662, 662.1, 663, 668, 668.1,  
D6/668.2, 671, 671.1, 671.2, 671.4, 672,  
D6/675, 675.3, 682, 682.1; D7/600.4  
CPC ..... A47B 67/00; A47B 67/04; A47B 45/00;  
A47F 7/00; A47F 7/0071; A47F 7/02;  
A47F 7/022  
See application file for complete search history.

(56) **References Cited**

**U.S. PATENT DOCUMENTS**

- D28,415 S \* 3/1898 Warren ..... D6/675.3
- 2,528,838 A \* 11/1950 Martino ..... A47F 7/02  
108/101
- 4,025,137 A \* 5/1977 Wyler ..... A47B 45/00  
312/114
- D324,119 S \* 2/1992 McKalsen, Jr. .... D34/11
- 5,357,876 A \* 10/1994 Kniefel ..... A47C 12/02  
108/64

*Primary Examiner* — Cathron C Brooks

(74) *Attorney, Agent, or Firm* — Millen, White, Zelano & Branigan, PC; Ryan Pool

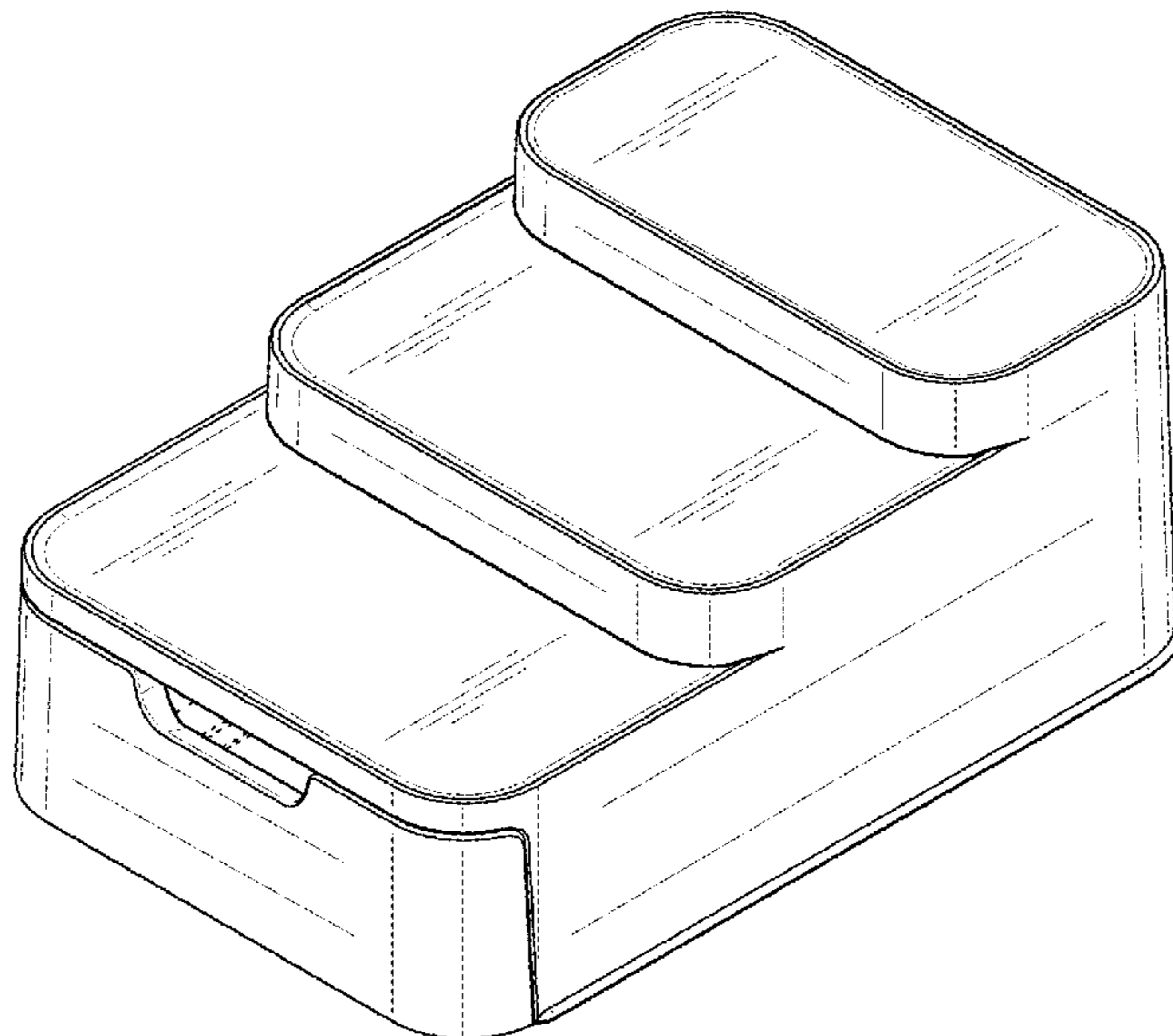
(57) **CLAIM**

The ornamental design for a compact shelf organizer, as shown and described.

**DESCRIPTION**

FIG. 1 is a perspective view of the compact shelf organizer showing my new design.  
 FIG. 2 is a front view thereof.  
 FIG. 3 is a back view thereof.  
 FIG. 4 is a top view thereof.  
 FIG. 5 is bottom side view thereof.  
 FIG. 6 is a side view thereof.  
 FIG. 7 is another side view thereof.  
 FIG. 8 is a perspective view of the compact shelf organizer in an extended configuration; and,  
 FIG. 9 is a perspective view of the compact shelf organizer in a disconnected configuration.  
 The broken lines in the drawings illustrate portions of the compact shelf organizer which form no part of the claimed design.

**1 Claim, 9 Drawing Sheets**



(56)

**References Cited**

U.S. PATENT DOCUMENTS

2004/0060879 A1\* 4/2004 Cohen ..... A47F 7/022  
211/85.2

\* cited by examiner

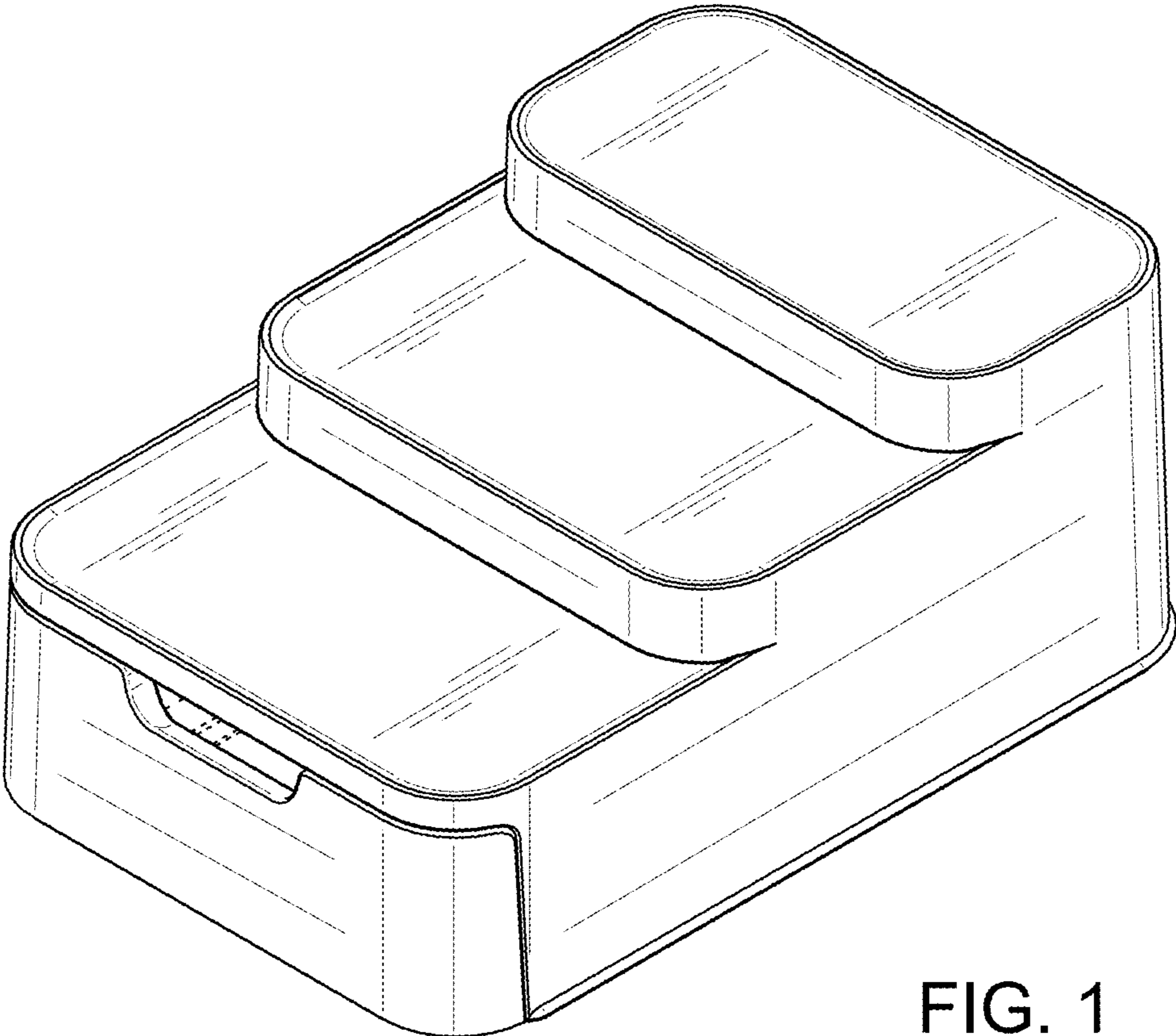


FIG. 1

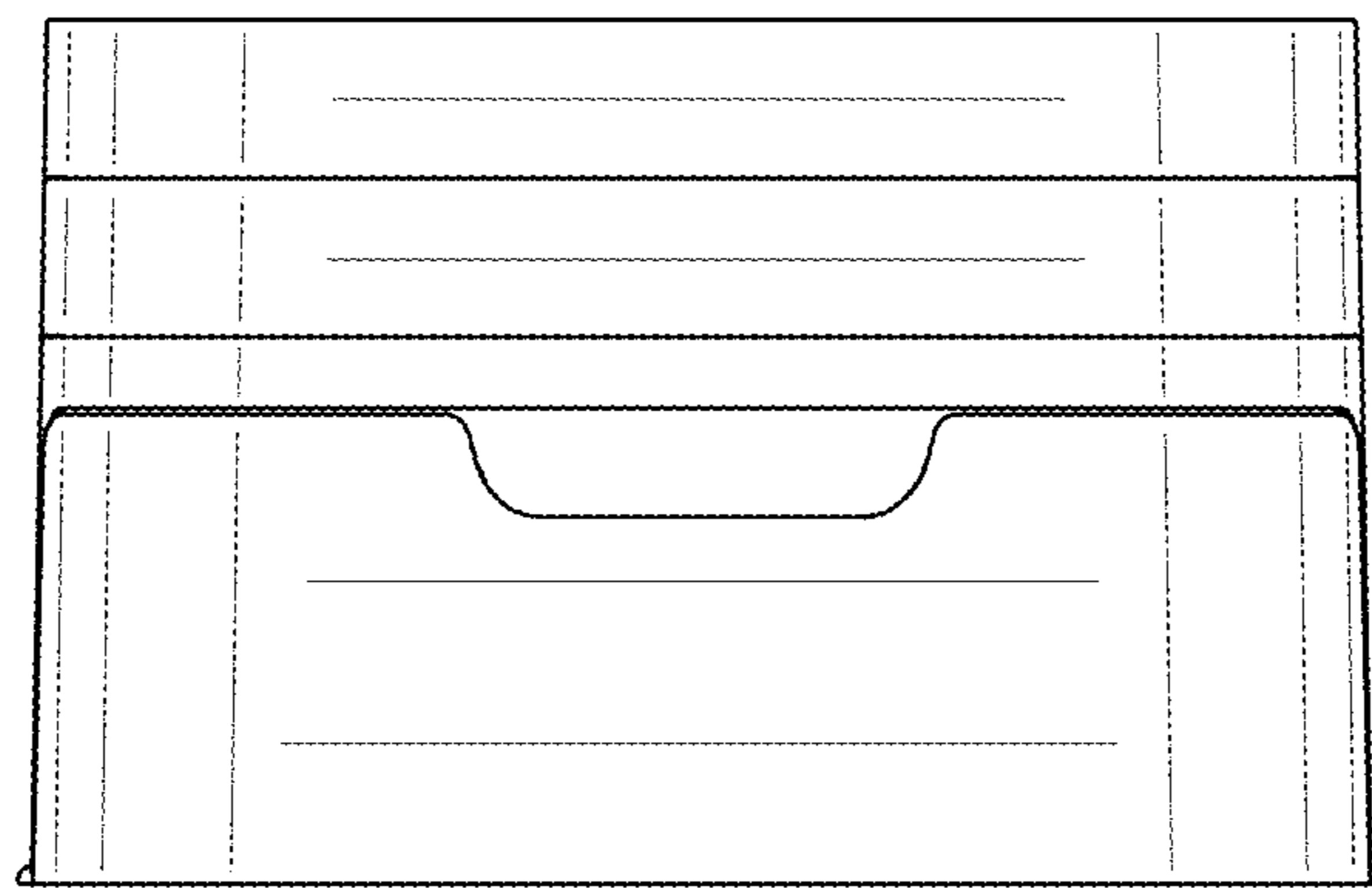


FIG. 2

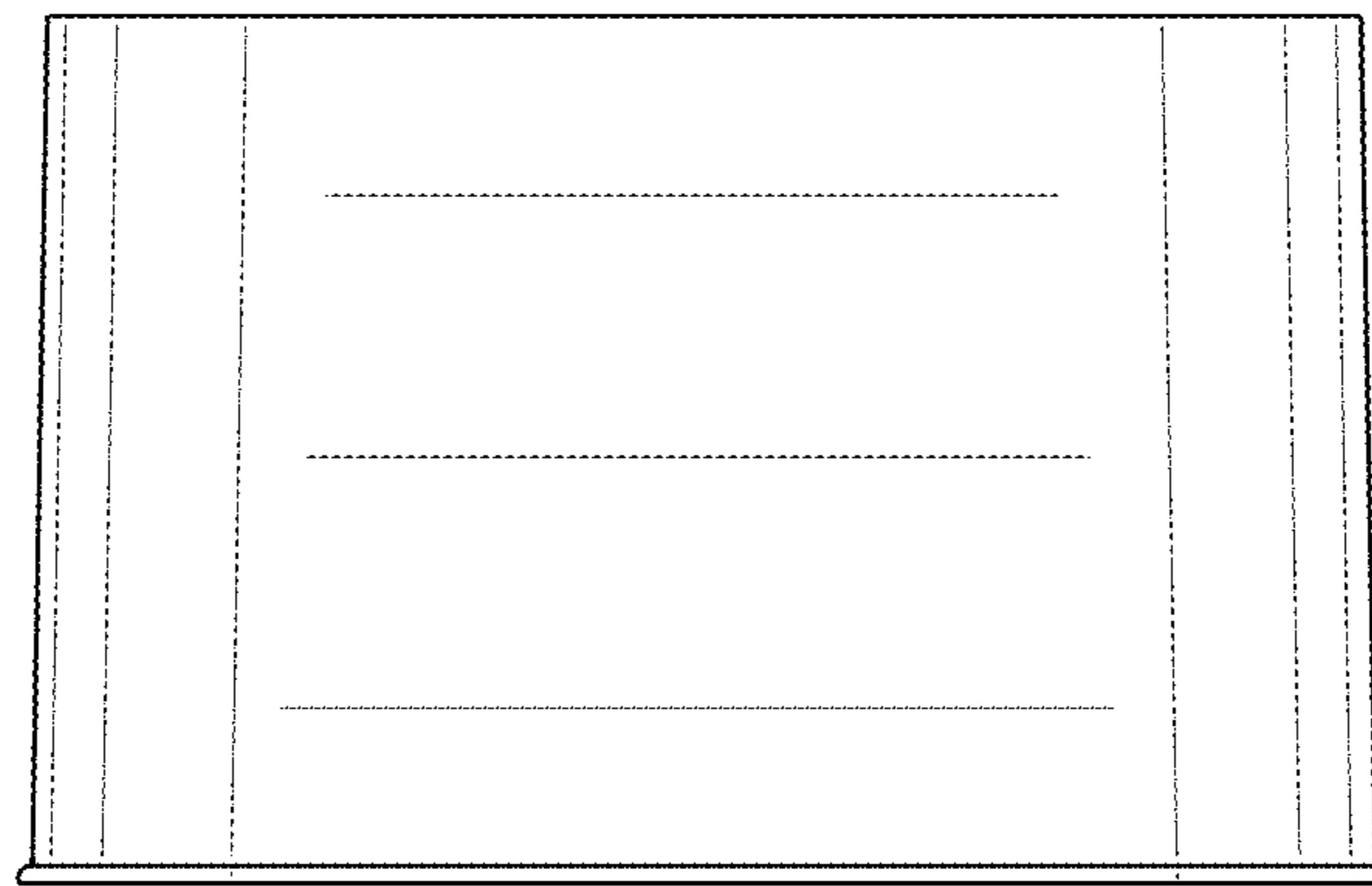


FIG. 3

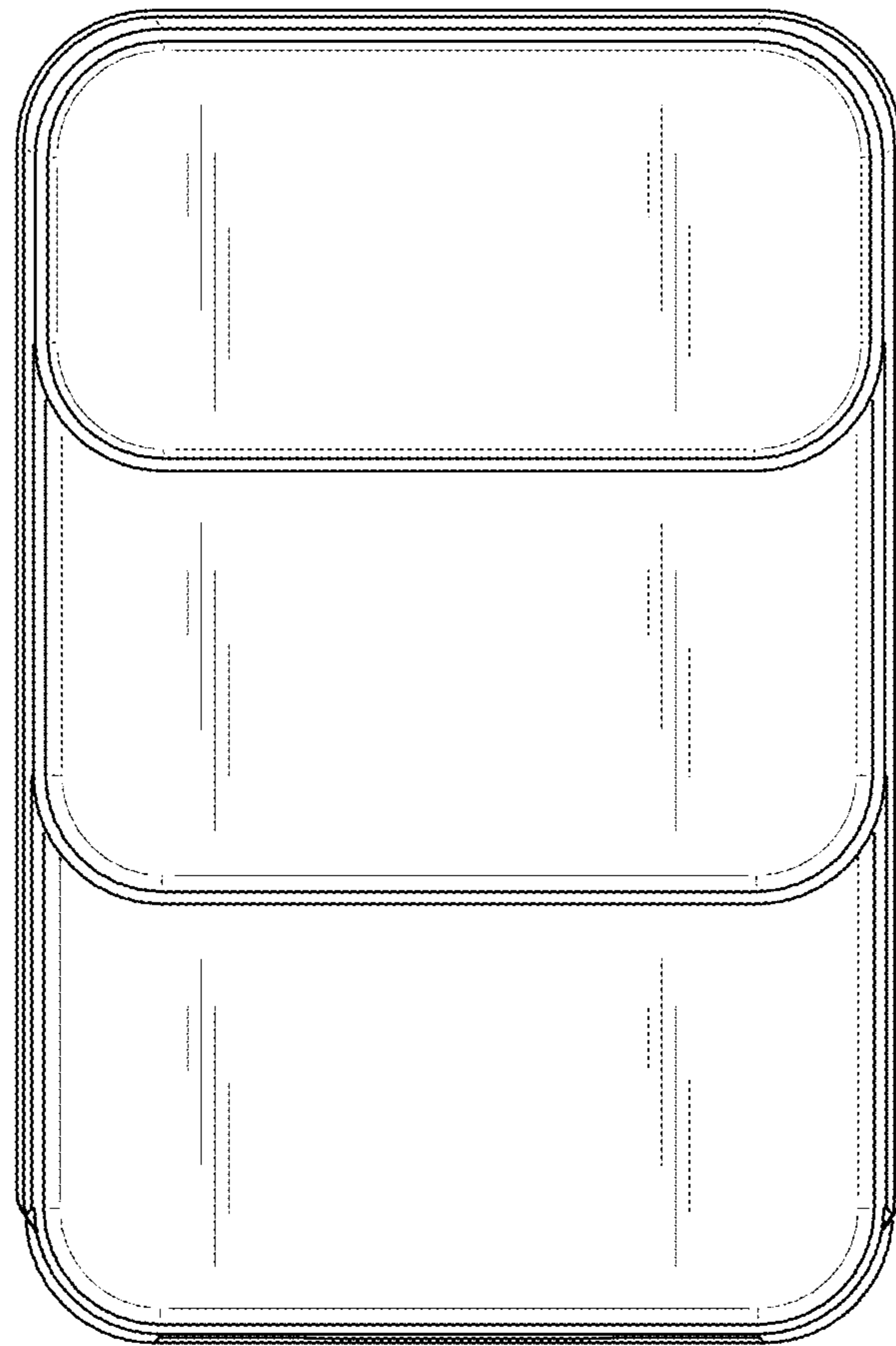


FIG. 4

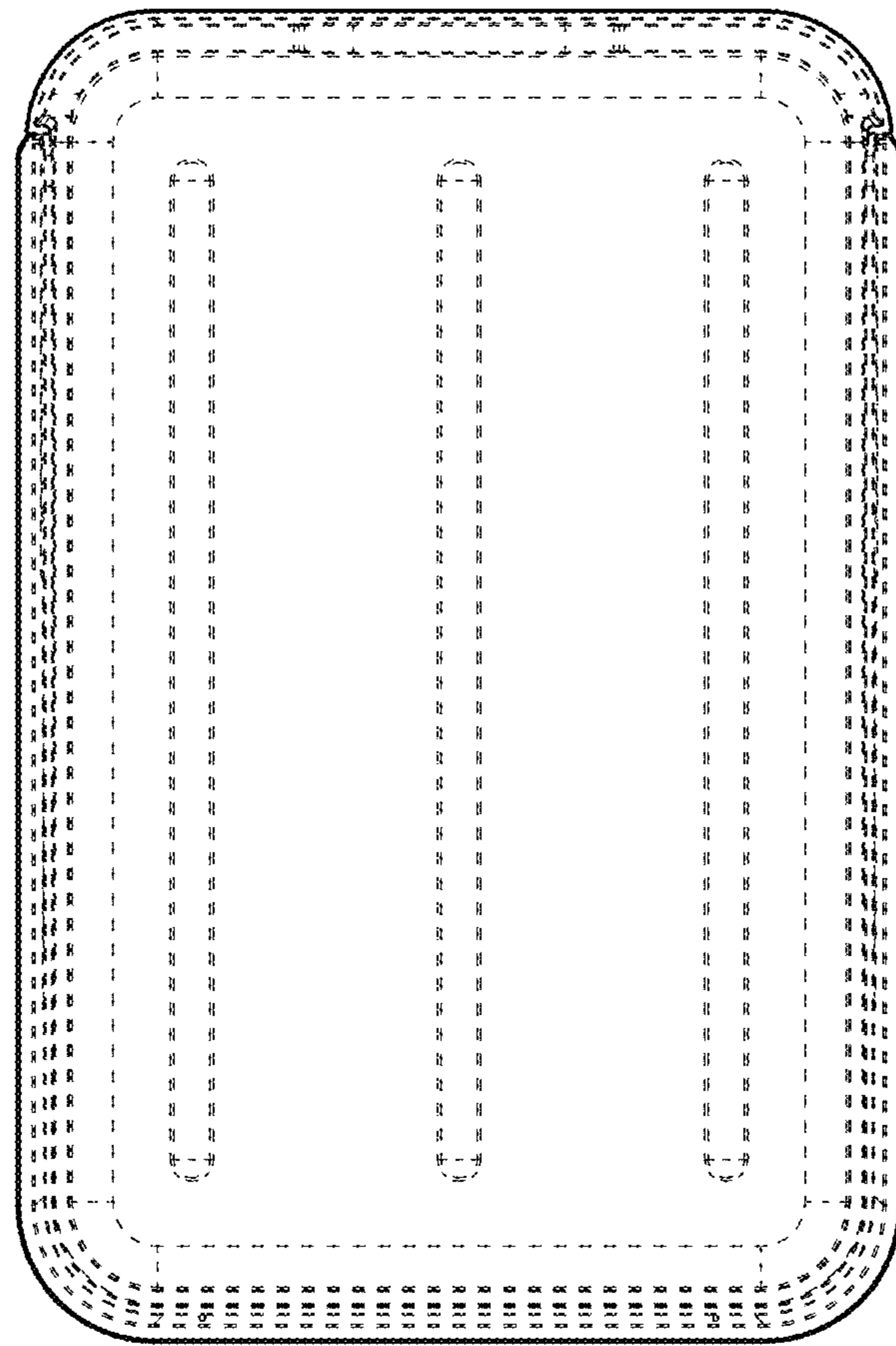


FIG. 5

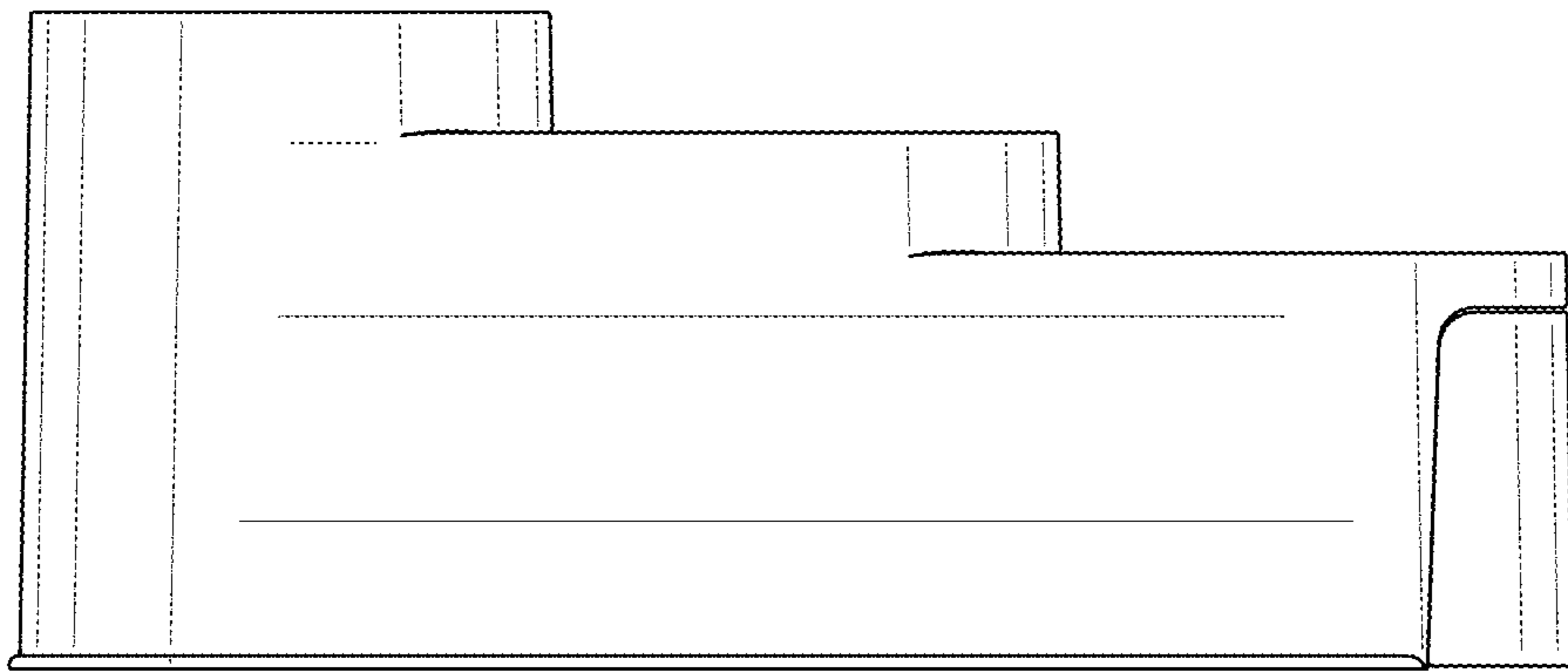


FIG. 6



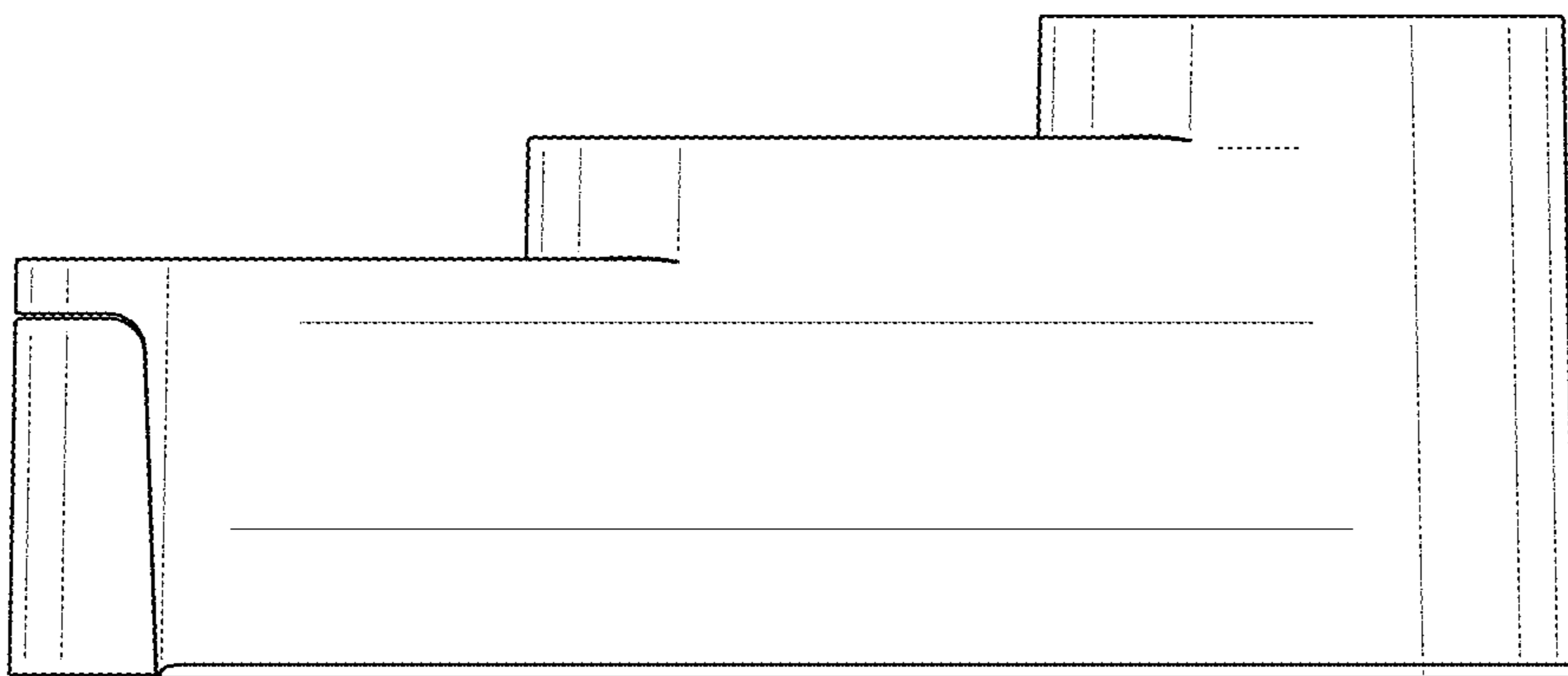


FIG. 7

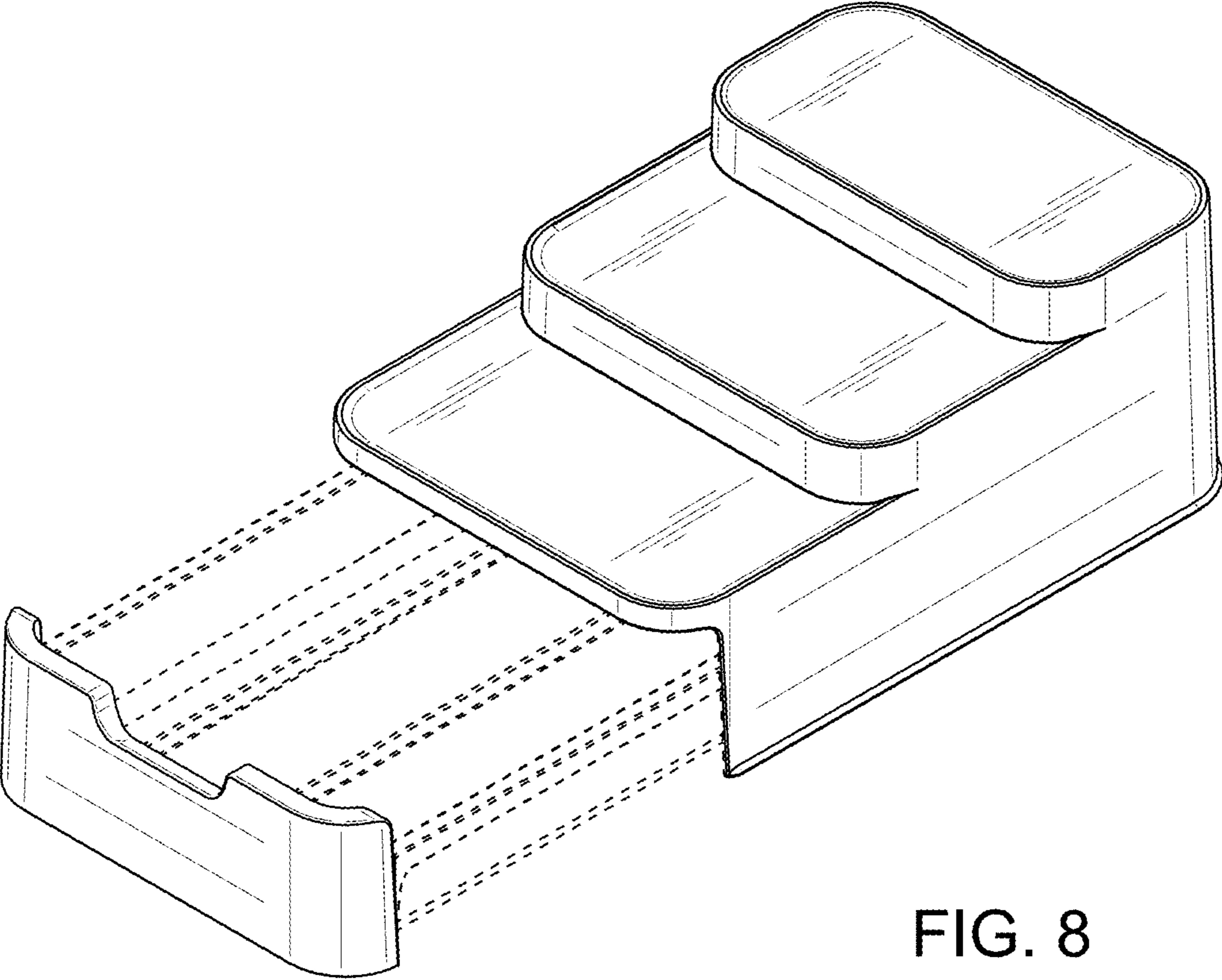


FIG. 8

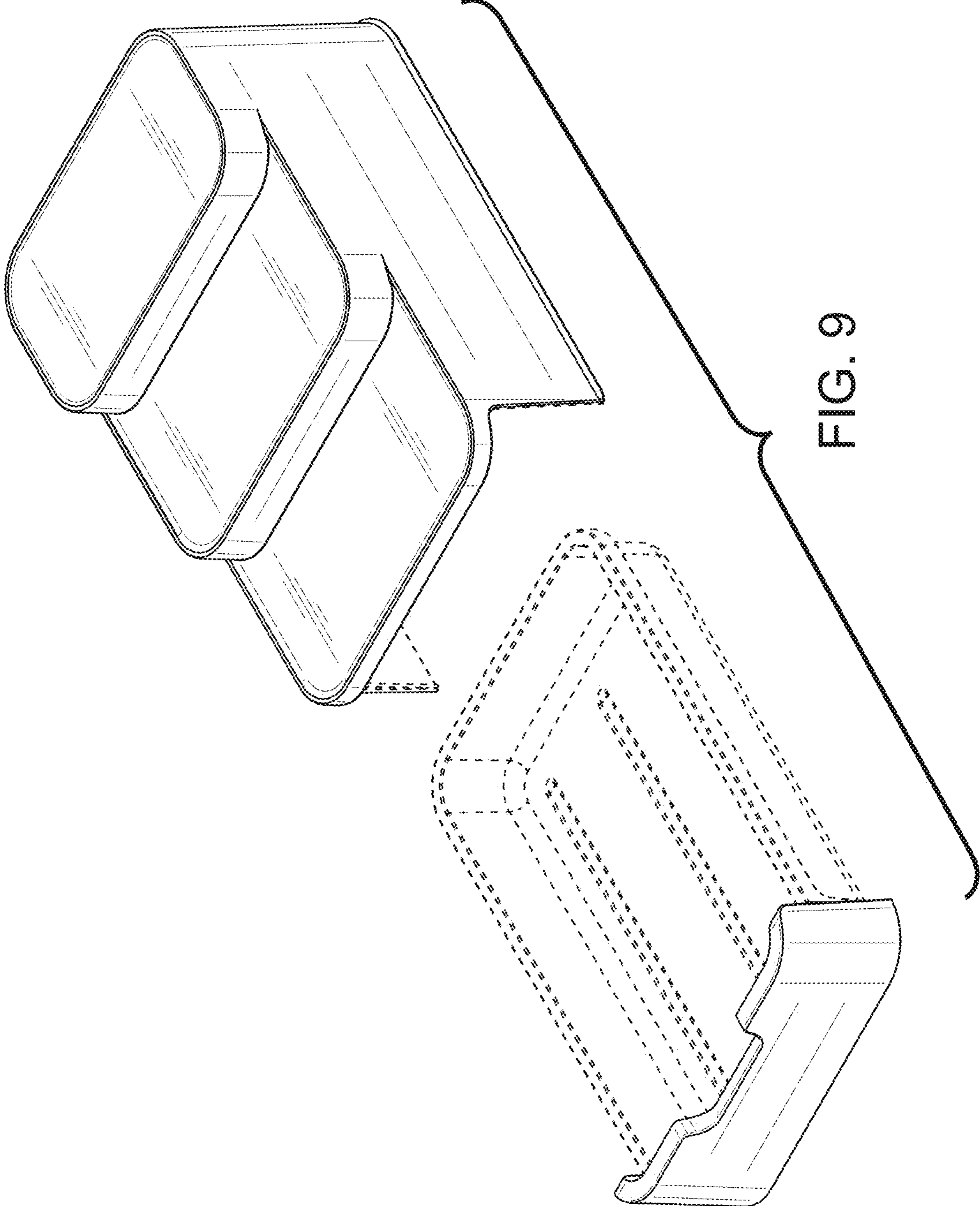


FIG. 9