



US00D909096S

(12) **United States Design Patent** (10) **Patent No.:** **US D909,096 S**
Li (45) **Date of Patent:** **** Feb. 2, 2021**

(54) **COMPUTER DESK**
(71) Applicant: **Homy Casa Limited**, Hong Kong (HK)
(72) Inventor: **YueHai Li**, Guangzhou (CN)
(73) Assignee: **HOMY CASA LIMITED**, Hong Kong (HK)
(**) Term: **15 Years**

(21) Appl. No.: **29/700,959**

(22) Filed: **Aug. 7, 2019**

(51) **LOC (13) Cl.** **06-03**

(52) **U.S. Cl.**
USPC **D6/654.1**

(58) **Field of Classification Search**
USPC D6/329, 641, 643, 645, 646, 648.2,
D6/648.3, 653, 653.1, 654, 654.1, 654.11,
D6/654.18, 662.1, 671, 688, 691.1, 702,
D6/707.15
CPC .. A47B 7/00; A47B 9/00; A47B 13/00; A47B
13/02; A47B 13/04; A47B 13/06; A47B
13/08; A47B 17/00; A47B 19/00; A47B
21/00

See application file for complete search history.

(56) **References Cited**

U.S. PATENT DOCUMENTS

D63,283 S * 11/1923 Cameron D6/654.1
D84,945 S * 8/1931 Lehr D6/653.1
D151,590 S * 11/1948 Bucker D6/688
D253,862 S * 1/1980 Adkinson D6/654.1
D283,094 S * 3/1986 Strand D6/654
D302,890 S * 8/1989 Ng D34/21
D303,464 S * 9/1989 Holl D6/654.1
4,870,630 A * 9/1989 Blake A47B 81/06
369/12

D334,856 S * 4/1993 Sielaff D6/654
D359,400 S * 6/1995 Ward D6/662.1
D362,133 S * 9/1995 Ward D6/662.1
D371,015 S * 6/1996 Walters, III D6/646
D427,804 S * 7/2000 Olson D6/653
D546,503 S * 7/2007 Kreiss D6/653
D588,850 S * 3/2009 Goldberg D6/707.15
D661,130 S * 6/2012 Calco D6/702
D723,306 S * 3/2015 Kielwasser D6/653
D826,599 S * 8/2018 Jahns D6/654.1
D875,440 S * 2/2020 Li D6/654.1
D888,466 S * 6/2020 Li D6/654.1

(Continued)

OTHER PUBLICATIONS

“39F Large Writing Desk.” Found online Sep. 28, 2020 at www.amazon.ca. Product first available Jul. 19, 2019. Retrieved from URL: <https://www.amazon.ca/39F-Writing-Computer-Industrial-Workstation/dp/B07VL3FPF5> (Year: 2019).*

(Continued)

Primary Examiner — Mary Ann Calabrese
Assistant Examiner — Katelin G Kloberg
(74) *Attorney, Agent, or Firm* — Hauptman Ham, LLP

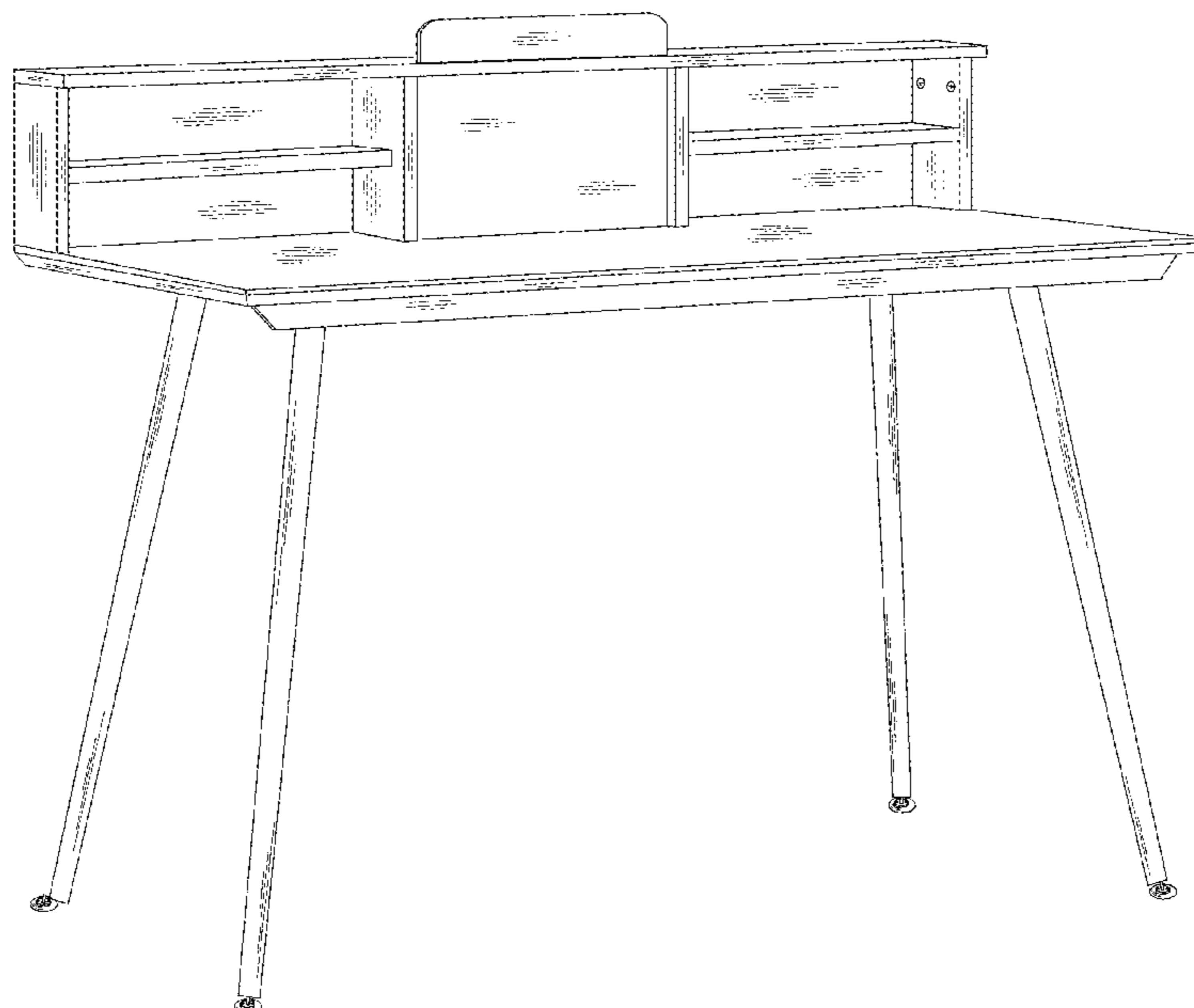
(57) **CLAIM**

The ornamental design for a computer desk, as shown.

DESCRIPTION

FIG. 1 is a front view of a computer desk, showing my new design;
FIG. 2 is a back view of the computer desk of FIG. 1.
FIG. 3 is a left side view of the computer desk of FIG. 1.
FIG. 4 is a right side view of the computer desk of FIG. 1.
FIG. 5 is a top view of the computer desk of FIG. 1.
FIG. 6 is a bottom view of the computer desk of FIG. 1; and,
FIG. 7 is a perspective view of the computer desk of FIG. 1.

1 Claim, 7 Drawing Sheets



(56)

References Cited

U.S. PATENT DOCUMENTS

D891,821 S * 8/2020 Li D6/648.2
D891,822 S * 8/2020 Li D6/648.3
D891,823 S * 8/2020 Li D6/648.3

OTHER PUBLICATIONS

“Nelson Swag Leg Desk.” Found online Sep. 28, 2020 at www.hermanmiller.com. Original Production Date 1954. Retrieved from URL: https://www.hermanmiller.com/content/dam/hermanmiller/documents/product_literature/product_sheets/nelson_swag_leg_desk_product_sheet.pdf (Year: 1954).*

“Christopher Knight Home Elodie Mid-Century Rubberwood Writing Desk.” Found online Sep. 28, 2020 at www.amazon.com. Product first available Apr. 13, 2018. Retrieved from URL: <https://www.amazon.com/Great-Deal-Furniture-Century-Writing/dp/B07C5KTSJC> (Year: 2018).*

“Calico Designs Woodford.” Found online Sep. 28, 2020 at www.amazon.com. Product reviewed Feb. 19, 2019. Retrieved from URL: <https://tinyurl.com/yxqjkdrv> (Year: 2019).*

“Sunpan Office Desk.” Found online Sep. 28, 2020 at www.amazon.com. Product first available Jul. 16, 2020. Retrieved from URL: <https://tinyurl.com/yx9oaq2y> (Year: 2020).*

“YouTube—How To Build A Desk.” Found online Sep. 28, 2020 at www.youtube.com. Video published Jul. 30, 2019. Retrieved from URL: <https://www.youtube.com/watch?v=yu9Gjz8iMik&app=desktop> (Year: 2019).*

* cited by examiner

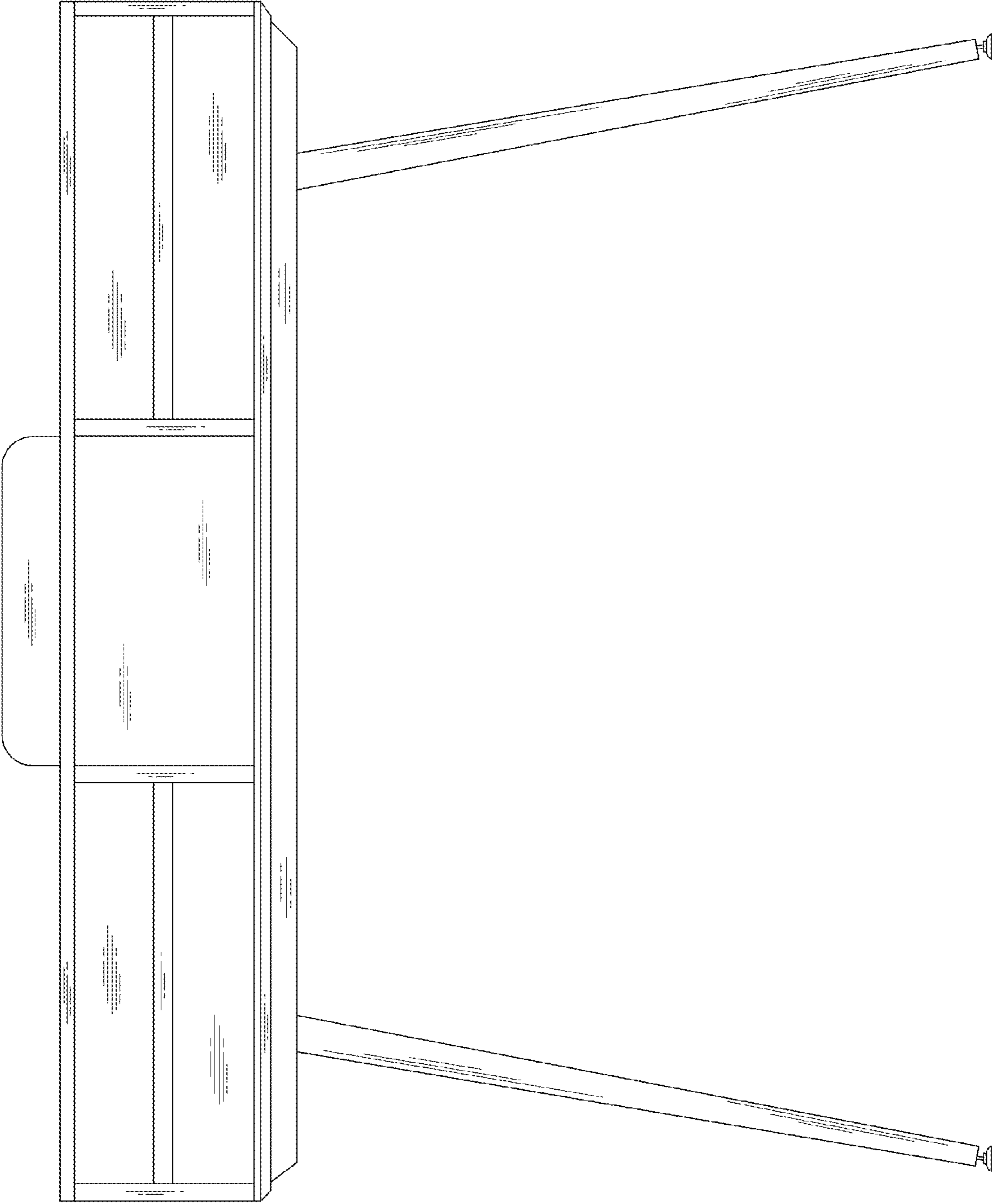


FIG. 1

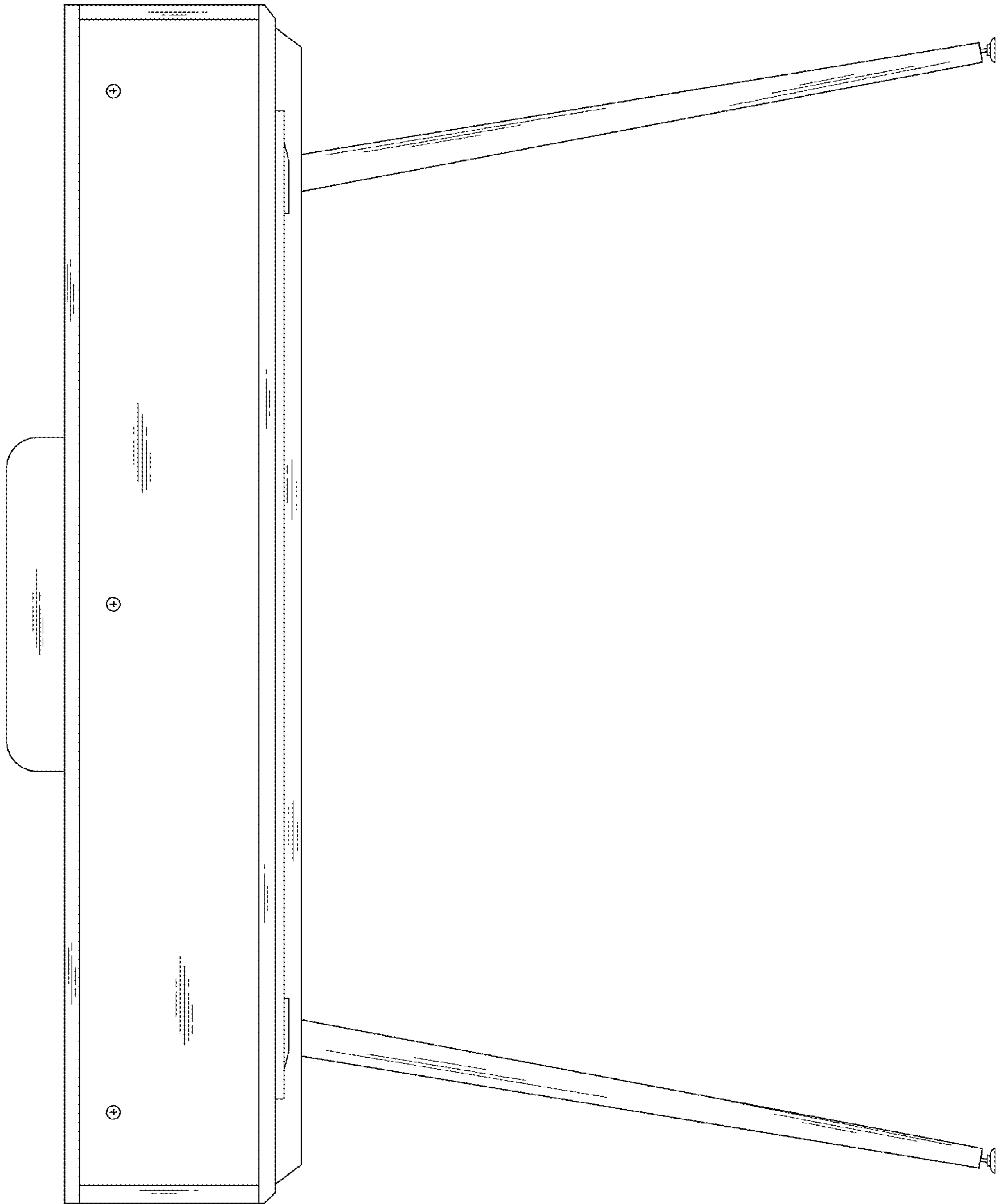


FIG. 2

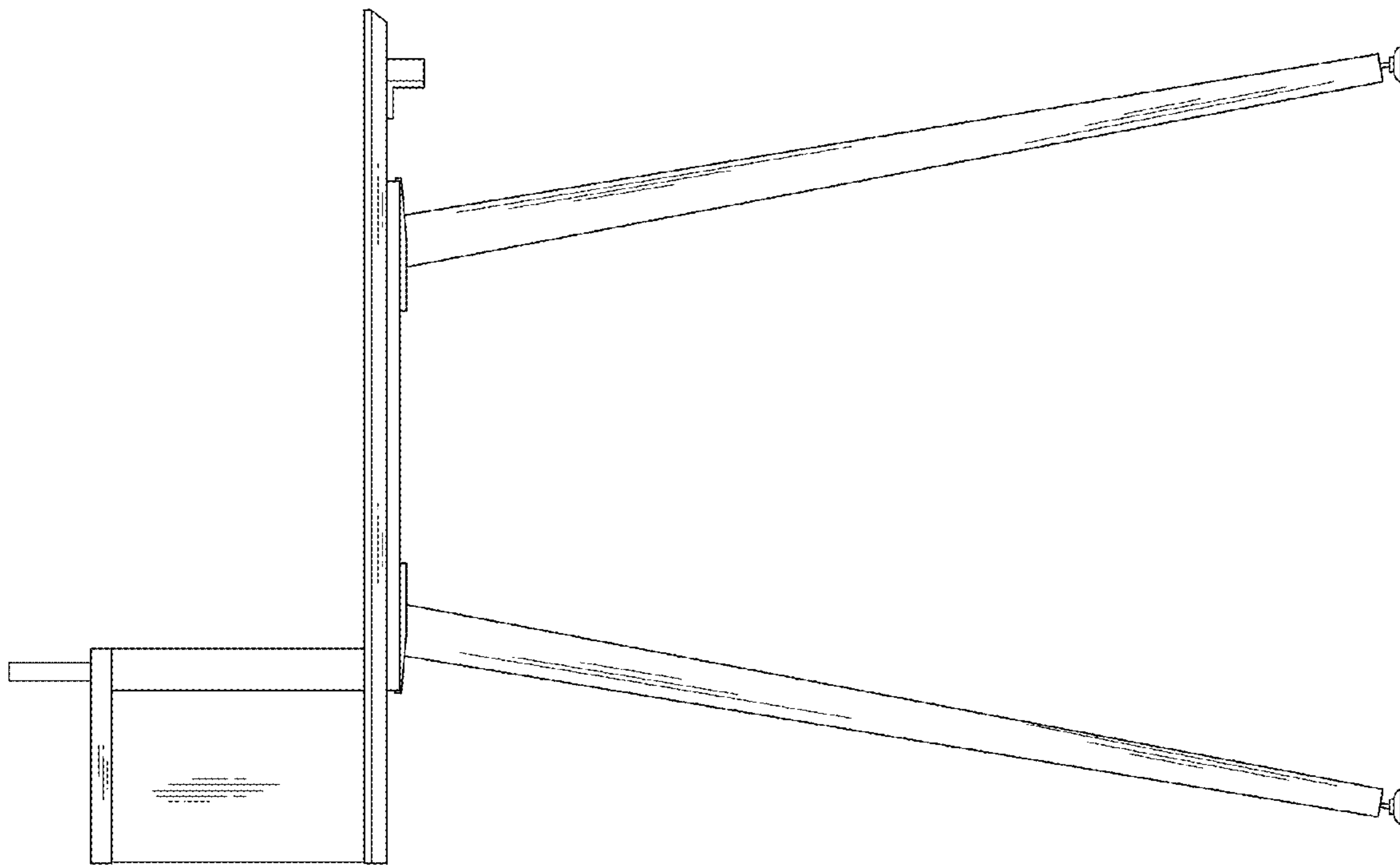


FIG. 3

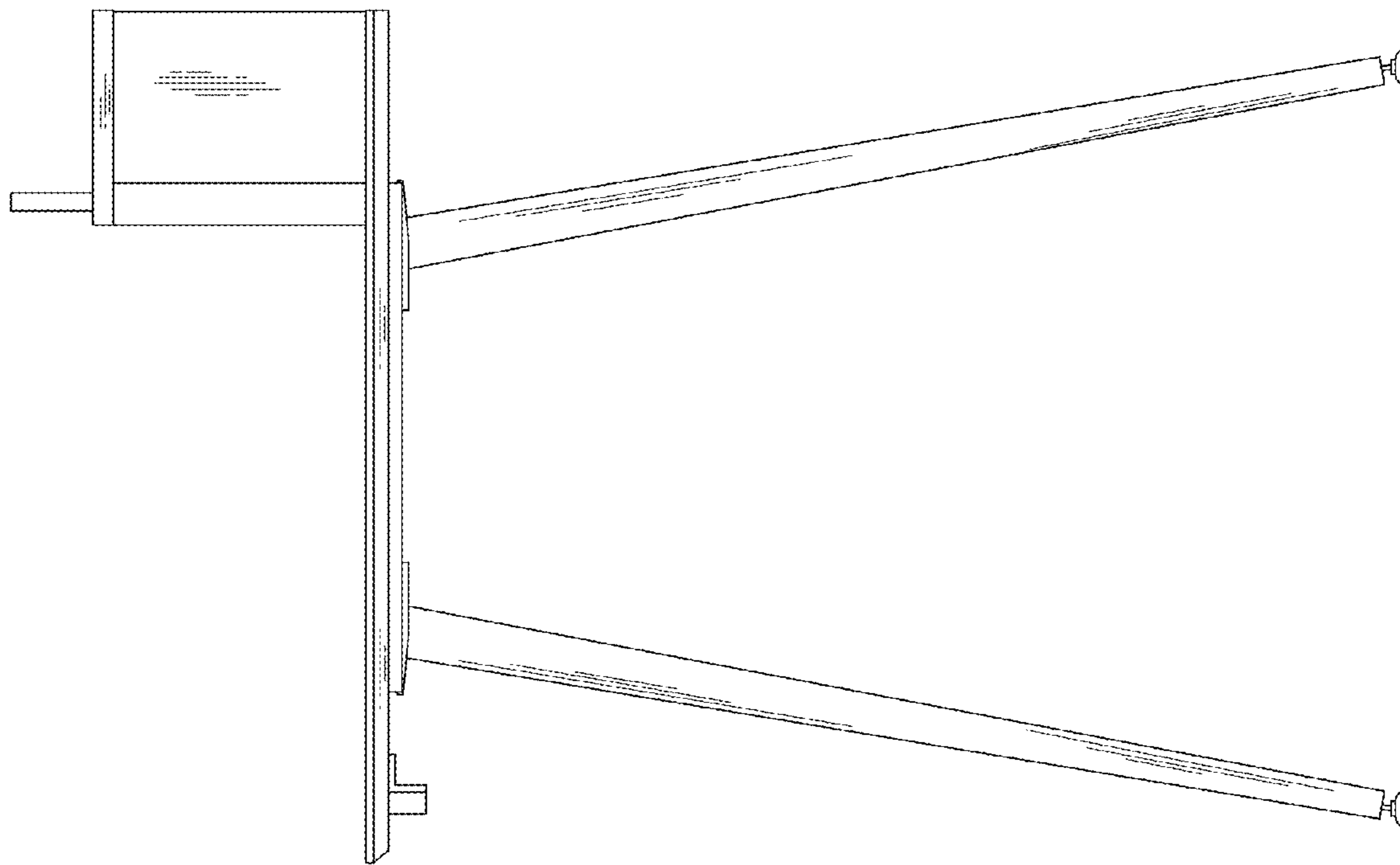


FIG. 4

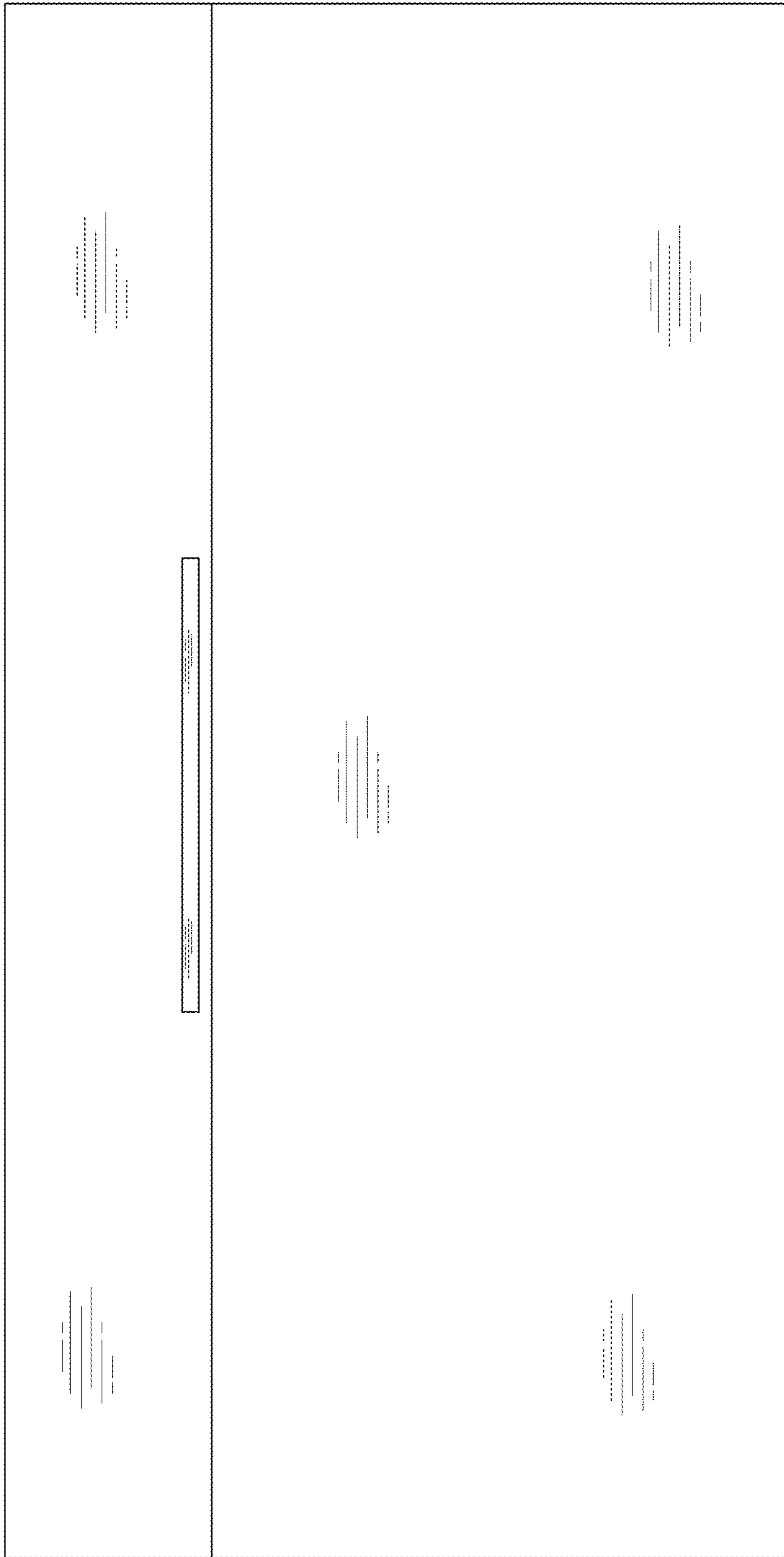


FIG. 5

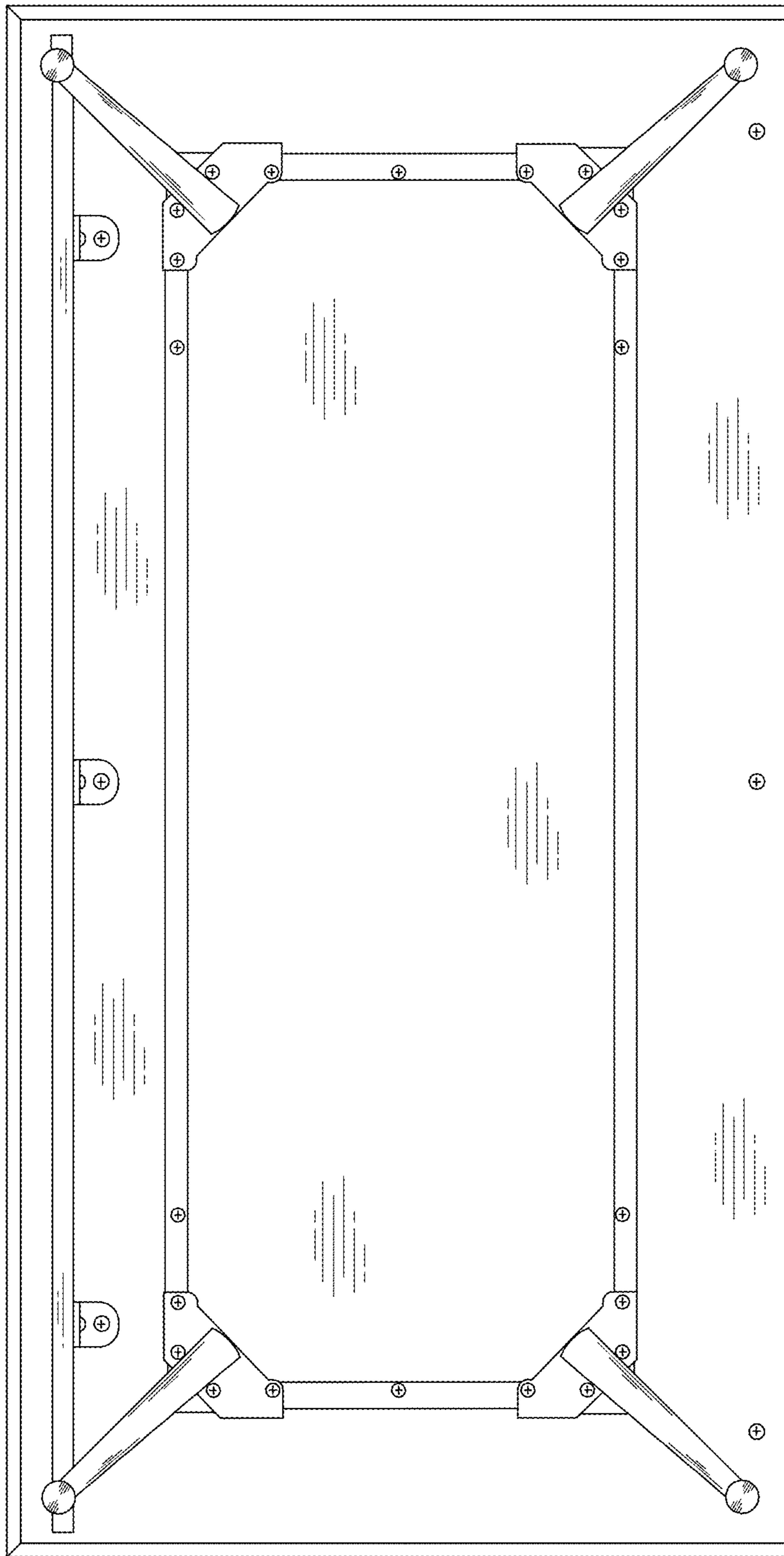


FIG. 6

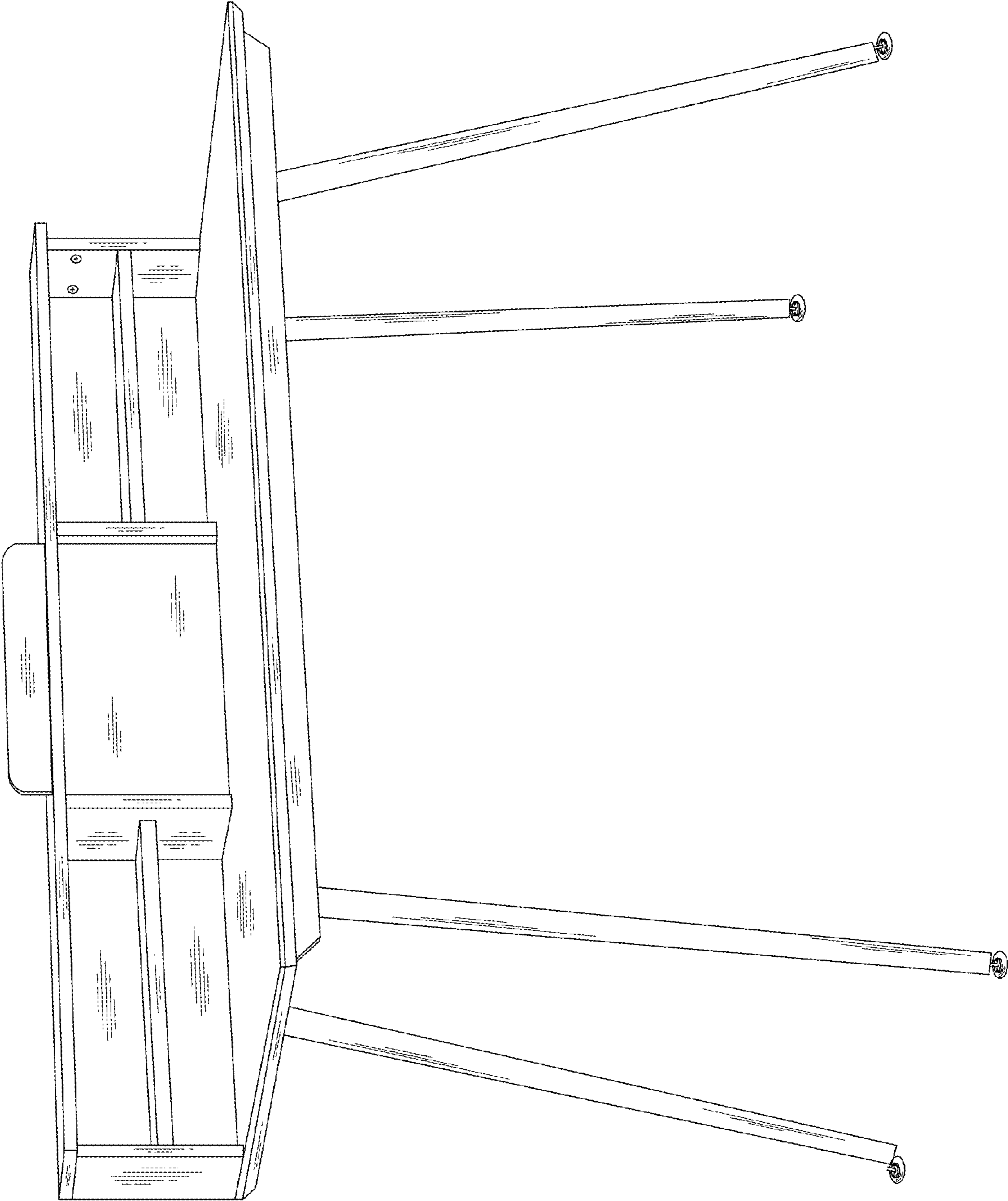


FIG. 7