



US00D909095S

(12) **United States Design Patent** (10) **Patent No.:** **US D909,095 S**  
**Li** (45) **Date of Patent:** **\*\* Feb. 2, 2021**

(54) **COMPUTER DESK**  
(71) Applicant: **Homy Casa Limited**, Hong Kong (HK)  
(72) Inventor: **YueHai Li**, Guangzhou (CN)  
(73) Assignee: **HOMY CASA LIMITED**, Hong Kong (HK)  
(\*\*) Term: **15 Years**  
(21) Appl. No.: **29/697,680**

D334,856 S \* 4/1993 Sielaff ..... D6/654  
D359,400 S \* 6/1995 Ward ..... D6/662.1  
D362,133 S \* 9/1995 Ward ..... D6/662.1  
D371,015 S \* 6/1996 Walters, III ..... D6/646  
D427,804 S \* 7/2000 Olson ..... D6/653  
D546,503 S \* 7/2007 Kreiss ..... D6/653  
D588,850 S \* 3/2009 Goldberg ..... D6/707.15  
D661,130 S \* 6/2012 Calco ..... D6/702  
D723,306 S \* 3/2015 Kielwasser ..... D6/653  
D826,599 S \* 8/2018 Jahns ..... D6/654.1  
D875,440 S \* 2/2020 Li ..... D6/654.1  
D888,466 S \* 6/2020 Li ..... D6/654.1

(Continued)

(22) Filed: **Jul. 10, 2019**  
(51) **LOC (13) Cl.** ..... **06-03**  
(52) **U.S. Cl.**  
USPC ..... **D6/654.1**  
(58) **Field of Classification Search**  
USPC ..... D6/329, 641, 643, 645, 646, 648.2,  
D6/648.3, 653, 653.1, 654, 654.1, 654.11,  
D6/654.18, 662.1, 671, 688, 691.1, 702,  
D6/707.15  
CPC .. A47B 7/00; A47B 9/00; A47B 13/00; A47B  
13/02; A47B 13/04; A47B 13/06; A47B  
13/08; A47B 17/00; A47B 19/00; A47B  
21/00  
See application file for complete search history.

**OTHER PUBLICATIONS**

“39F Large Writing Desk.” Found online Sep. 28, 2020 at www.amazon.ca. Product first available Jul. 19, 2019. Retrieved from URL: <https://www.amazon.ca/39F-Writing-Computer-Industrial-Workstation/dp/B07VL3FPF5> (Year: 2019).\*

(Continued)

*Primary Examiner* — Mary Ann Calabrese  
*Assistant Examiner* — Katelin G Kloberg  
(74) *Attorney, Agent, or Firm* — Hauptman Ham, LLP

(57) **CLAIM**

The ornamental design for a computer desk, as shown.

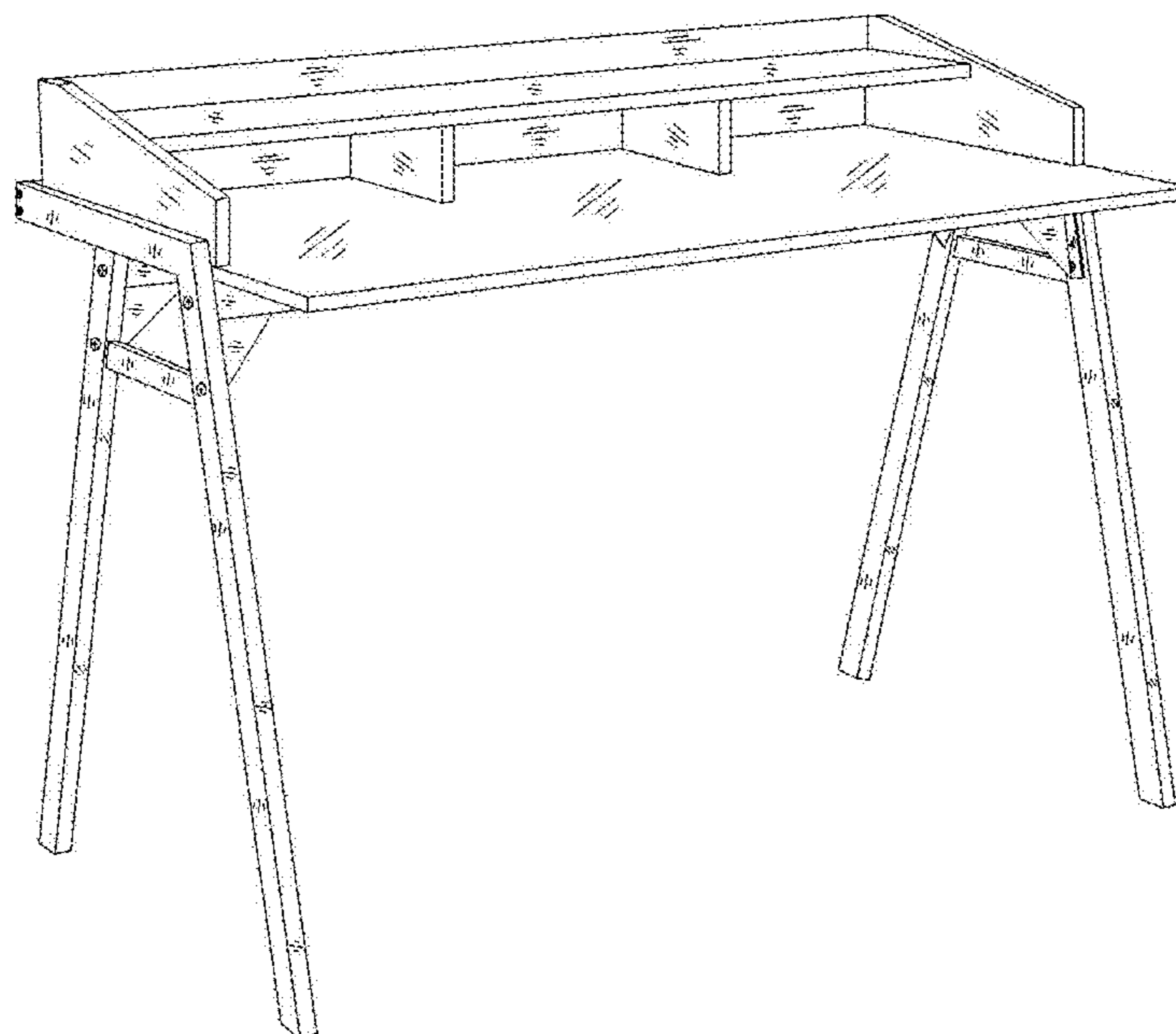
**DESCRIPTION**

FIG. 1 is a front view of a computer desk, showing my new design;  
FIG. 2 is a back view of the computer desk of FIG. 1.  
FIG. 3 is a left side view of the computer desk of FIG. 1.  
FIG. 4 is a right side view of the computer desk of FIG. 1.  
FIG. 5 is a top view of the computer desk of FIG. 1.  
FIG. 6 is a bottom view of the computer desk of FIG. 1; and,  
FIG. 7 is a perspective view of the computer desk of FIG. 1.

(56) **References Cited**  
U.S. PATENT DOCUMENTS

D63,283 S \* 11/1923 Cameron ..... D6/654.1  
D84,945 S \* 8/1931 Lehr ..... D6/653.1  
D151,590 S \* 11/1948 Buckner ..... D6/688  
D253,862 S \* 1/1980 Adkinson ..... D6/654.1  
D283,094 S \* 3/1986 Strand ..... D6/654  
D302,890 S \* 8/1989 Ng ..... D34/21  
D303,464 S \* 9/1989 Holl ..... D6/654.1  
4,870,630 A \* 9/1989 Blake ..... A47B 81/06  
369/12

**1 Claim, 7 Drawing Sheets**



(56)

**References Cited**

## U.S. PATENT DOCUMENTS

D891,821 S \* 8/2020 Li ..... D6/648.2  
D891,822 S \* 8/2020 Li ..... D6/648.3  
D891,823 S \* 8/2020 Li ..... D6/648.3

## OTHER PUBLICATIONS

“Nelson Swag Leg Desk.” Found online Sep. 28, 2020 at [www.hermanmiller.com](http://www.hermanmiller.com). Original Production Date 1954. Retrieved from URL: [https://www.hermanmiller.com/content/dam/hermanmiller/documents/product\\_literature/product\\_sheets/nelson\\_swag\\_leg\\_desk\\_product\\_sheet.pdf](https://www.hermanmiller.com/content/dam/hermanmiller/documents/product_literature/product_sheets/nelson_swag_leg_desk_product_sheet.pdf) (Year: 1954).\*

“Christopher Knight Home Elodie Mid-Century Rubberwood Writing Desk.” Found online Sep. 28, 2020 at [www.amazon.com](http://www.amazon.com). Product first available Apr. 13, 2018. Retrieved from URL: <https://www.amazon.com/Great-Deal-Furniture-Century-Writing/dp/B07C5KTSJC> (Year: 2018).\*

“Calico Designs Woodford.” Found online Sep. 28, 2020 at [www.amazon.com](http://www.amazon.com). Product reviewed Feb. 19, 2019. Retrieved from URL: <https://tinyurl.com/yxqjkdry> (Year: 2019).\*

“Sunpan Office Desk.” Found online Sep. 28, 2020 at [www.amazon.com](http://www.amazon.com). Product first available Jul. 16, 2020. Retrieved from URL: <https://tinyurl.com/yx9oaq2y> (Year: 2020).\*

“YouTube—How to Build a Desk.” Found online Sep. 28, 2020 at [www.youtube.com](http://www.youtube.com). Video published Jul. 30, 2019. Retrieved from URL: <https://www.youtube.com/watch?v=yu9Gjz8iMik&app=desktop> (Year: 2019).\*

\* cited by examiner

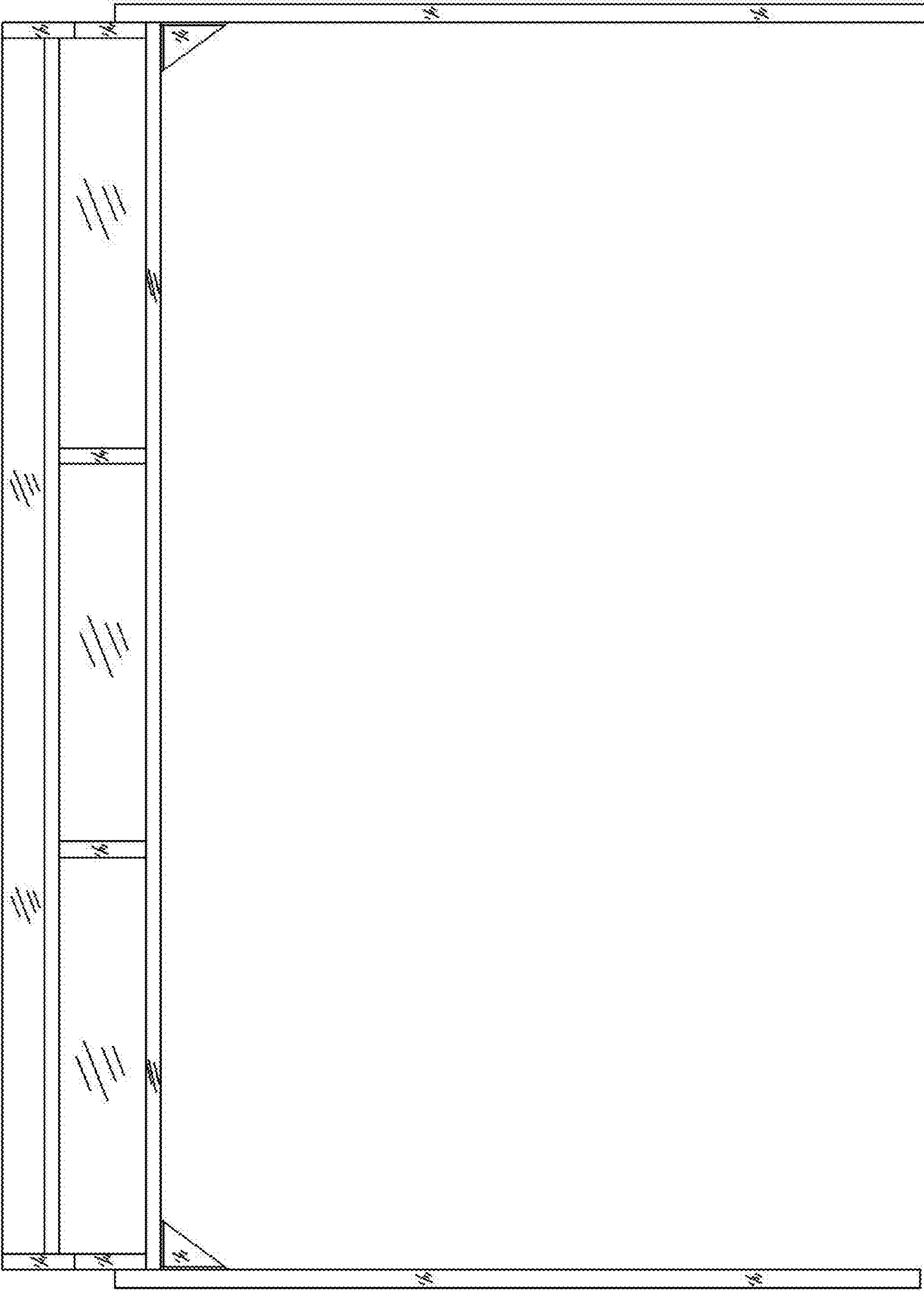


Fig. 1

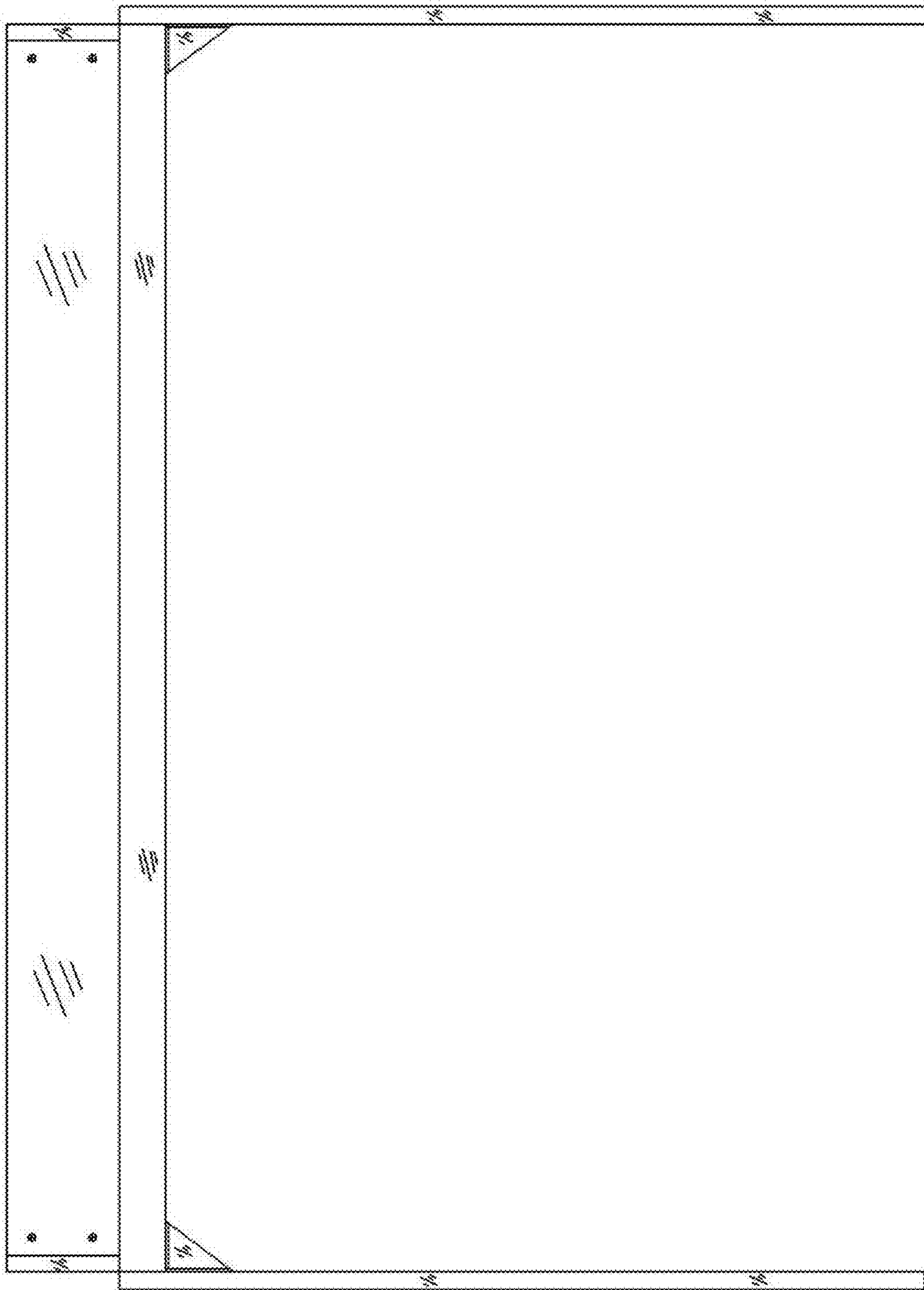


Fig. 2

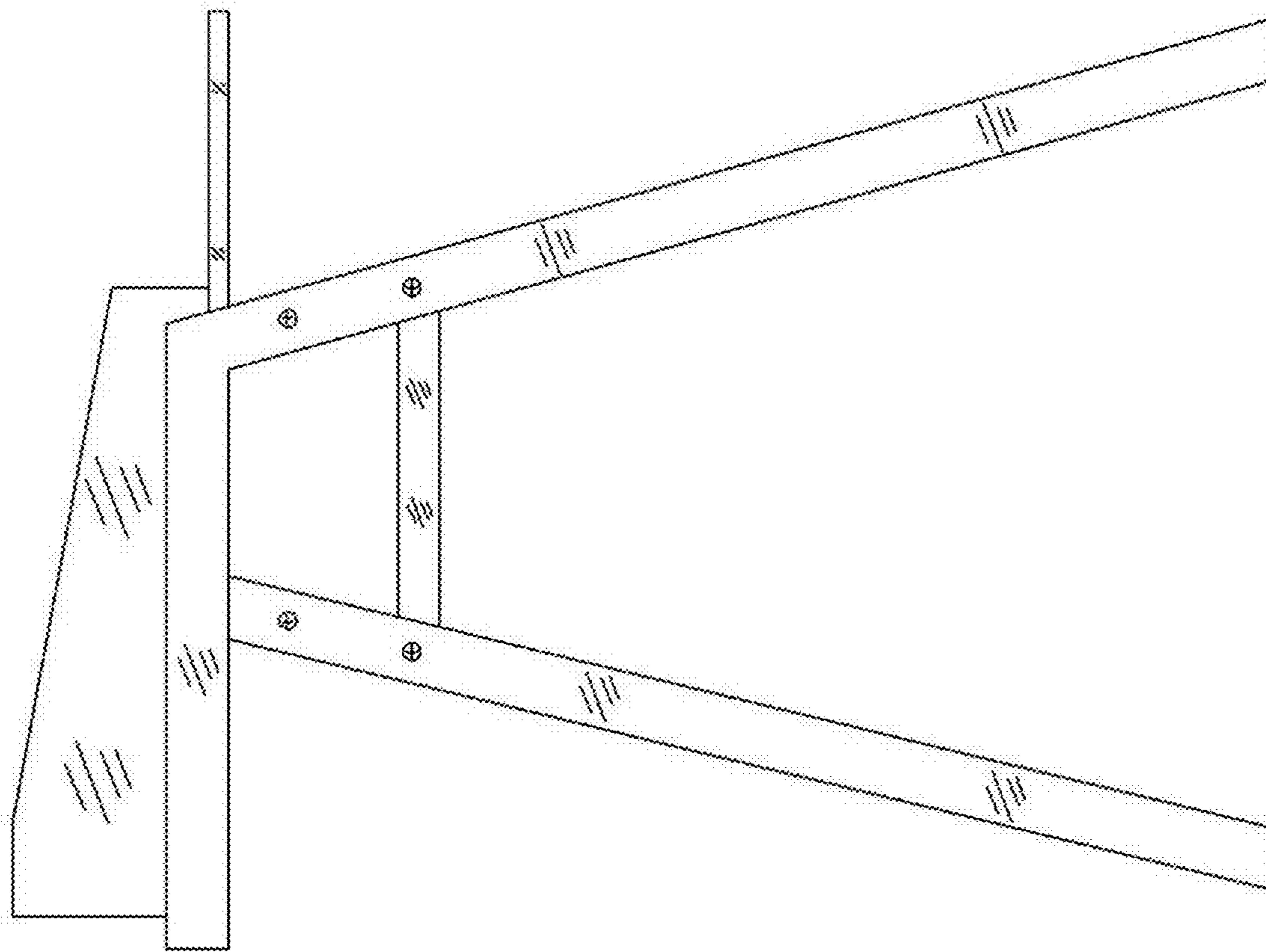


Fig. 3

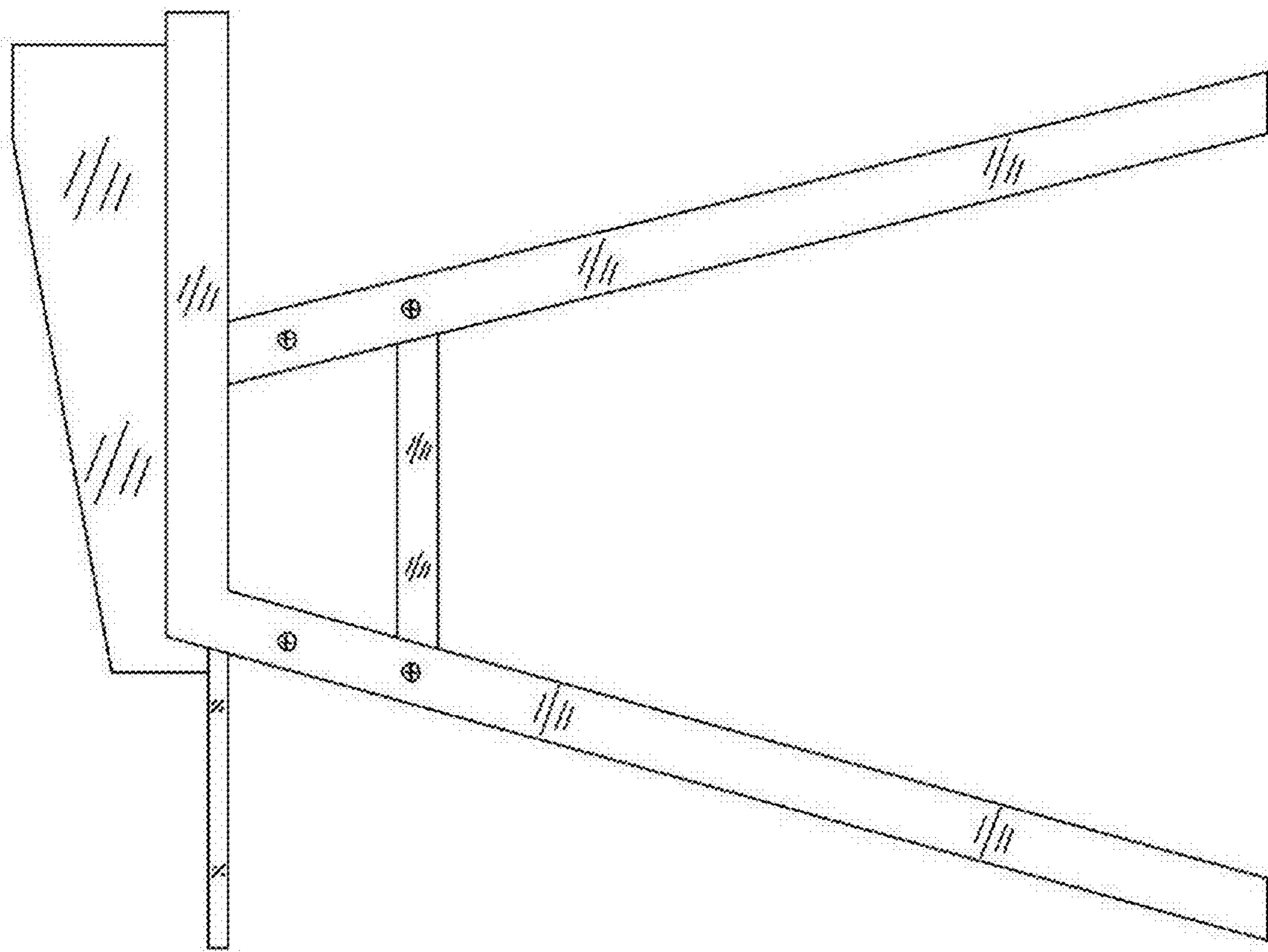


Fig. 4

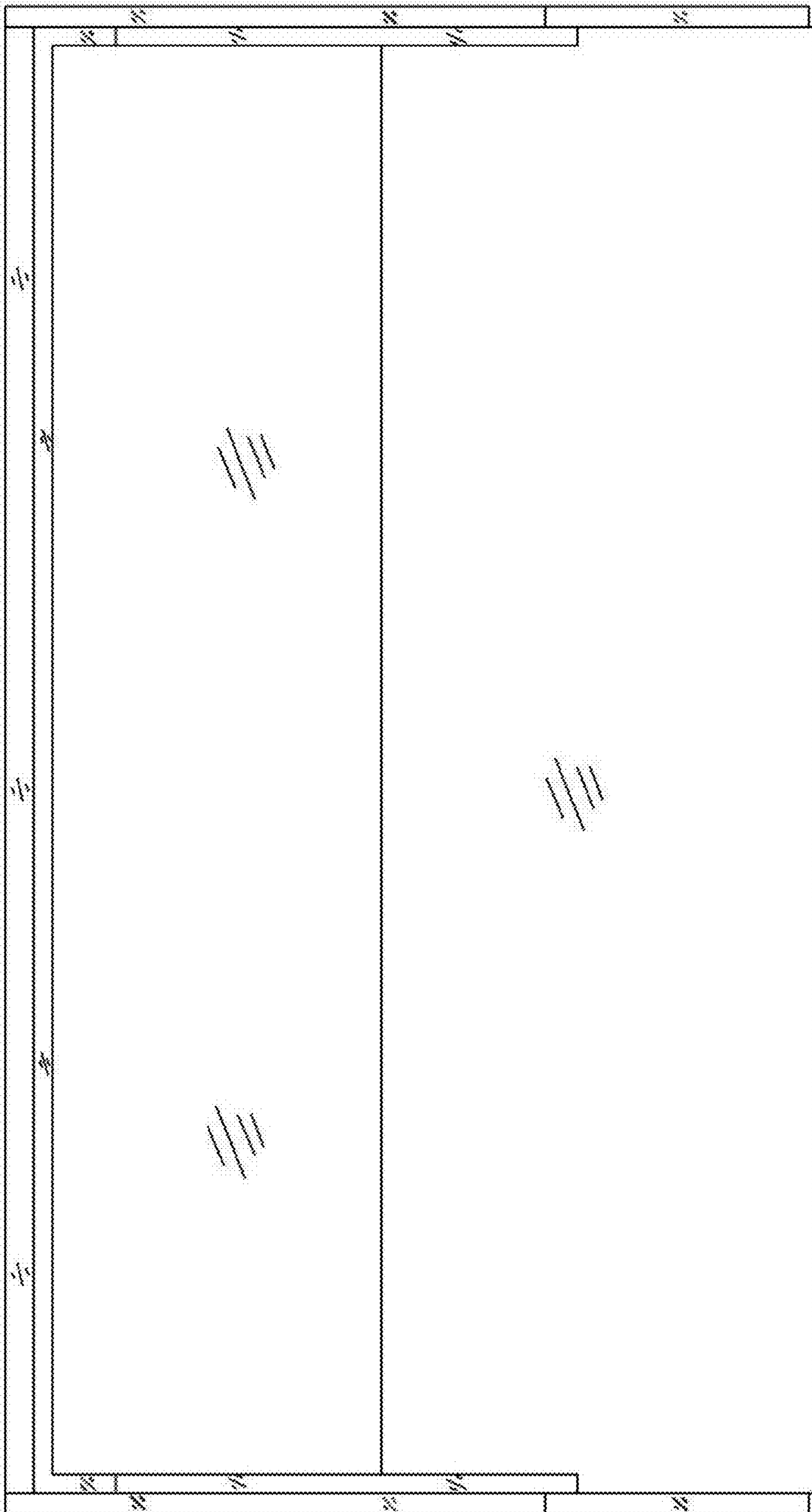


Fig. 5

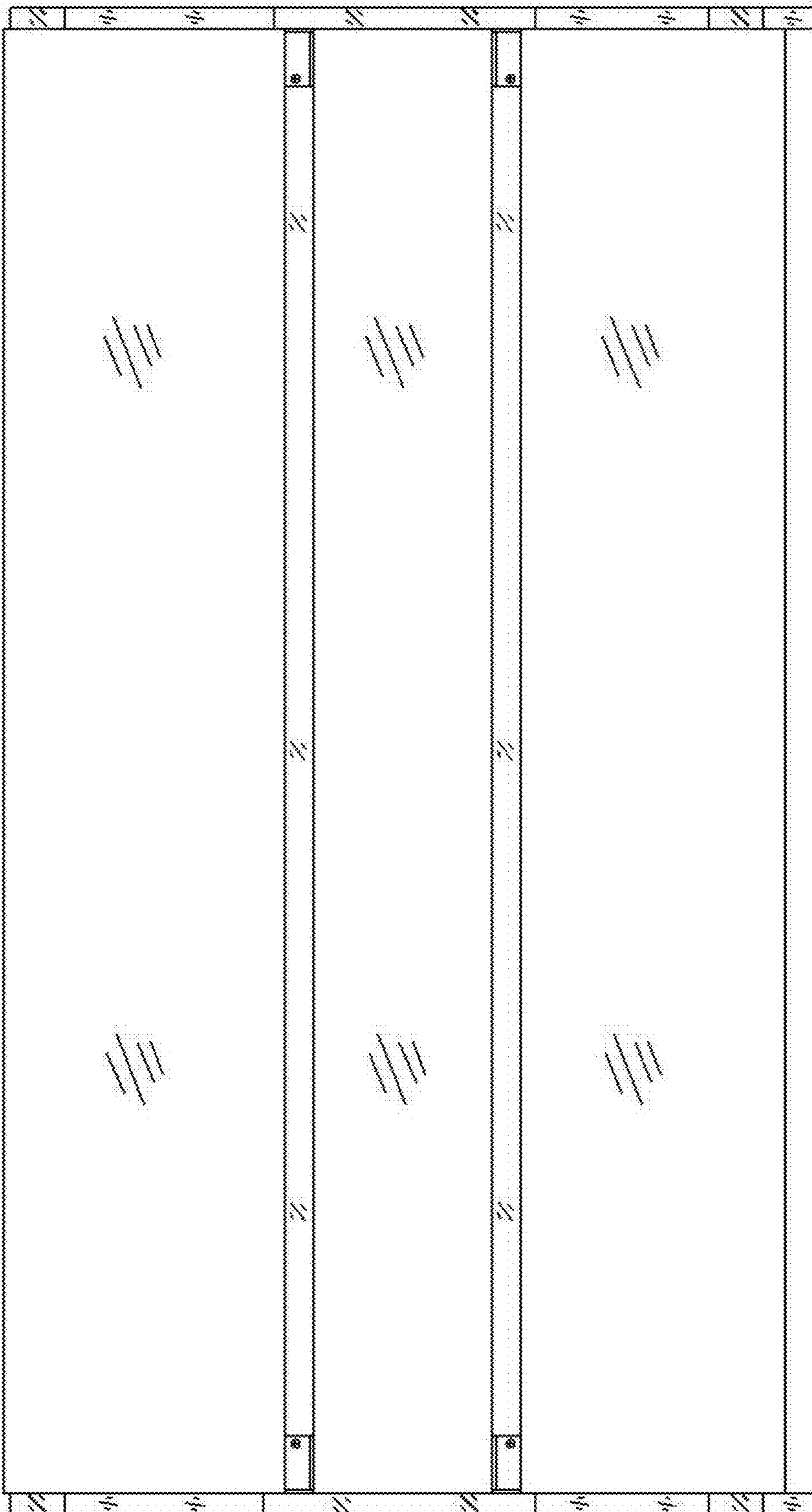


Fig. 6



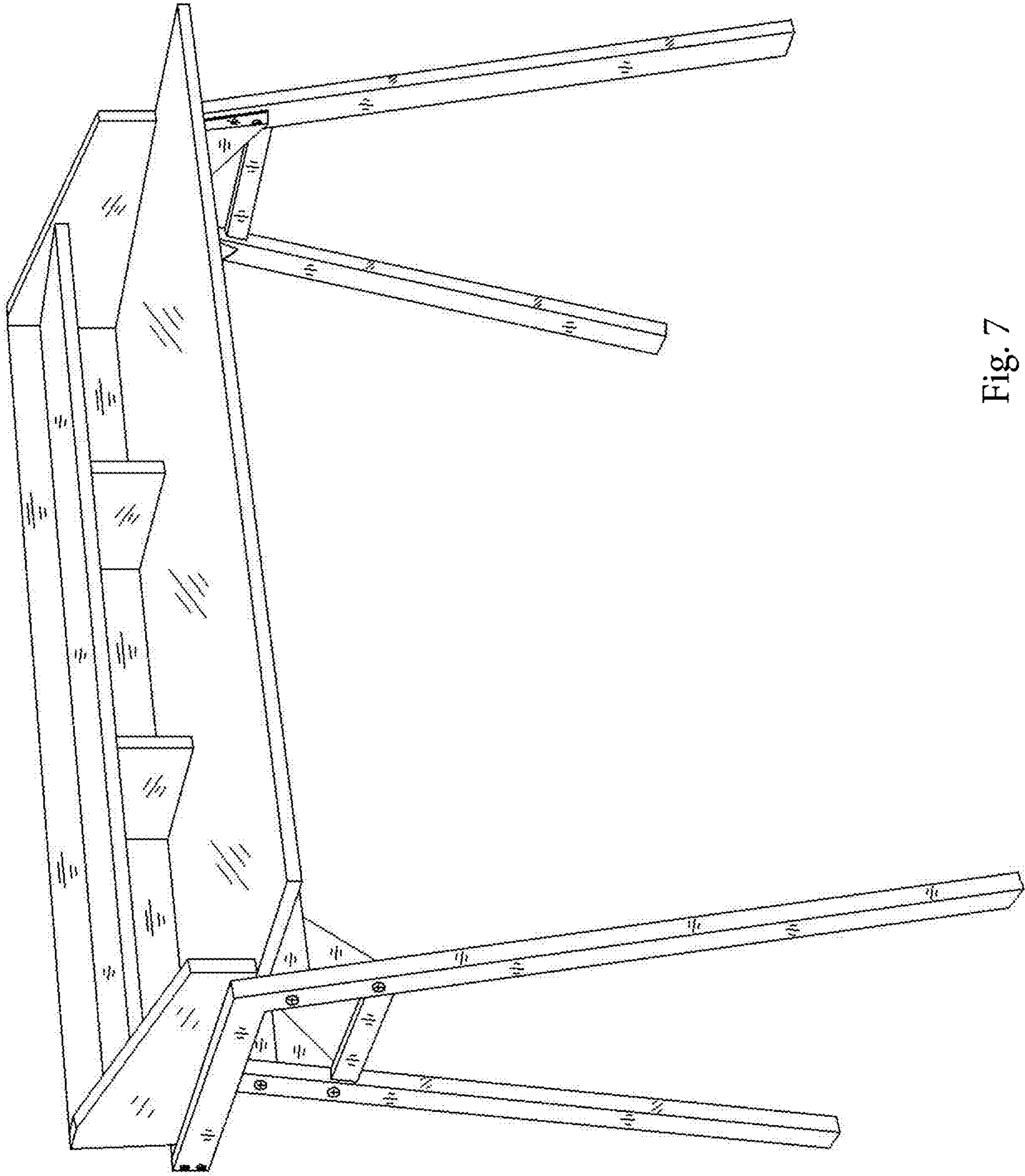


Fig. 7