



US00D909094S

(12) **United States Design Patent**
Chen

(10) **Patent No.:** **US D909,094 S**

(45) **Date of Patent:** **** Feb. 2, 2021**

- (54) **RECLINER COVER**
- (71) Applicant: **SHAOXING HUAQIN HOME TEXTILE CO., LTD.,** Shaoxing (CN)
- (72) Inventor: **Guohua Chen,** Shaoxing (CN)
- (73) Assignee: **SHAOXING HUAQIN HOME TEXTILE CO., LTD.,** Shaoxing (CN)

(**) Term: **15 Years**

(21) Appl. No.: **29/730,468**

(22) Filed: **Apr. 3, 2020**

(51) **LOC (13) Cl.** **06-13**

(52) **U.S. Cl.**
USPC **D6/611**

(58) **Field of Classification Search**
USPC D6/601, 610, 611
CPC A47C 17/132; A47C 31/10; A47C 31/11;
B60N 2/60; B60N 2/6009
See application file for complete search history.

(56) **References Cited**

U.S. PATENT DOCUMENTS

- 1,500,318 A * 7/1924 Henry A47C 17/132
297/11
- 2,266,505 A * 12/1941 McCormick B60N 2/60
297/228.1
- 4,676,376 A * 6/1987 Keiswetter B60N 2/60
206/449
- 4,838,610 A * 6/1989 Perrin A47C 31/11
297/225
- 5,320,407 A * 6/1994 Tell A47C 31/11
297/225
- 5,329,654 A * 7/1994 Sherman A47C 17/134
297/116
- D479,427 S * 9/2003 Illulian B60N 2/60
D6/611
- 6,971,716 B2 * 12/2005 DePaulis B60N 2/60
297/188.01
- D777,473 S * 1/2017 Rodack A47C 17/134
D6/611

- D813,572 S * 3/2018 Erdman A47C 31/11
D6/611
- D903,379 S * 12/2020 Chen A47C 31/11
D6/611
- 2006/0103197 A1* 5/2006 Baines A47C 31/11
297/229
- 2008/0290705 A1 11/2008 Neustat et al.
- 2008/0315642 A1 12/2008 Miller

OTHER PUBLICATIONS

Decorative Leaf Stretch Slipcover by Collects Etc. Sold on amazon.com Oct. 4, 2018 Accessed on Dec. 3, 2020 (Year: 2018).*

Microfiber Stretch Sectional Recliner Sofa Slipcover by Easy-going. Sold on Amazon.com Mar. 26, 2020. Accessed on Dec. 3, 2020 (Year: 2020).*

Recliner Sofa Covers Velvet Stretch Reclining Couch Covers by H.Versailtex . Sold on amazon.com. Jun. 11, 2020. (Year: 2020).*

* cited by examiner

Primary Examiner — Kevin K Rudzinski
Assistant Examiner — Clare Ann Gannon

(57) **CLAIM**

The ornamental design for a recliner cover, as shown and described.

DESCRIPTION

FIG. 1 is a perspective view of a recliner cover showing my new design;

FIG. 2 is another perspective view thereof;

FIG. 3 is a front elevational view thereof;

FIG. 4 is a rear elevational view thereof;

FIG. 5 is a left side elevational view thereof;

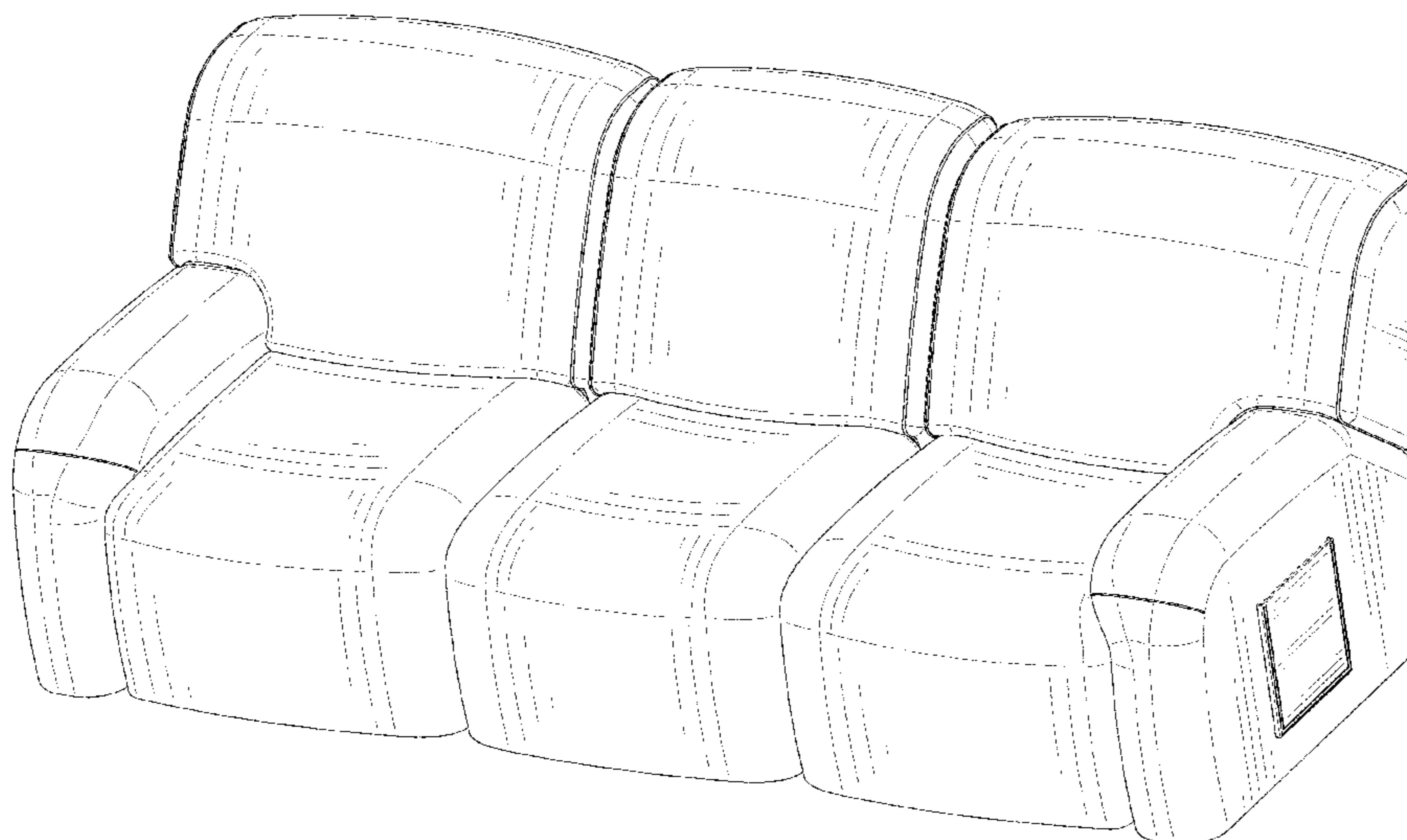
FIG. 6 is a right side elevational view thereof;

FIG. 7 is a top plan view thereof; and,

FIG. 8 is a bottom plan view thereof.

The broken lines in the drawings depict boundaries of the recliner cover that form no part of the claimed design.

1 Claim, 8 Drawing Sheets



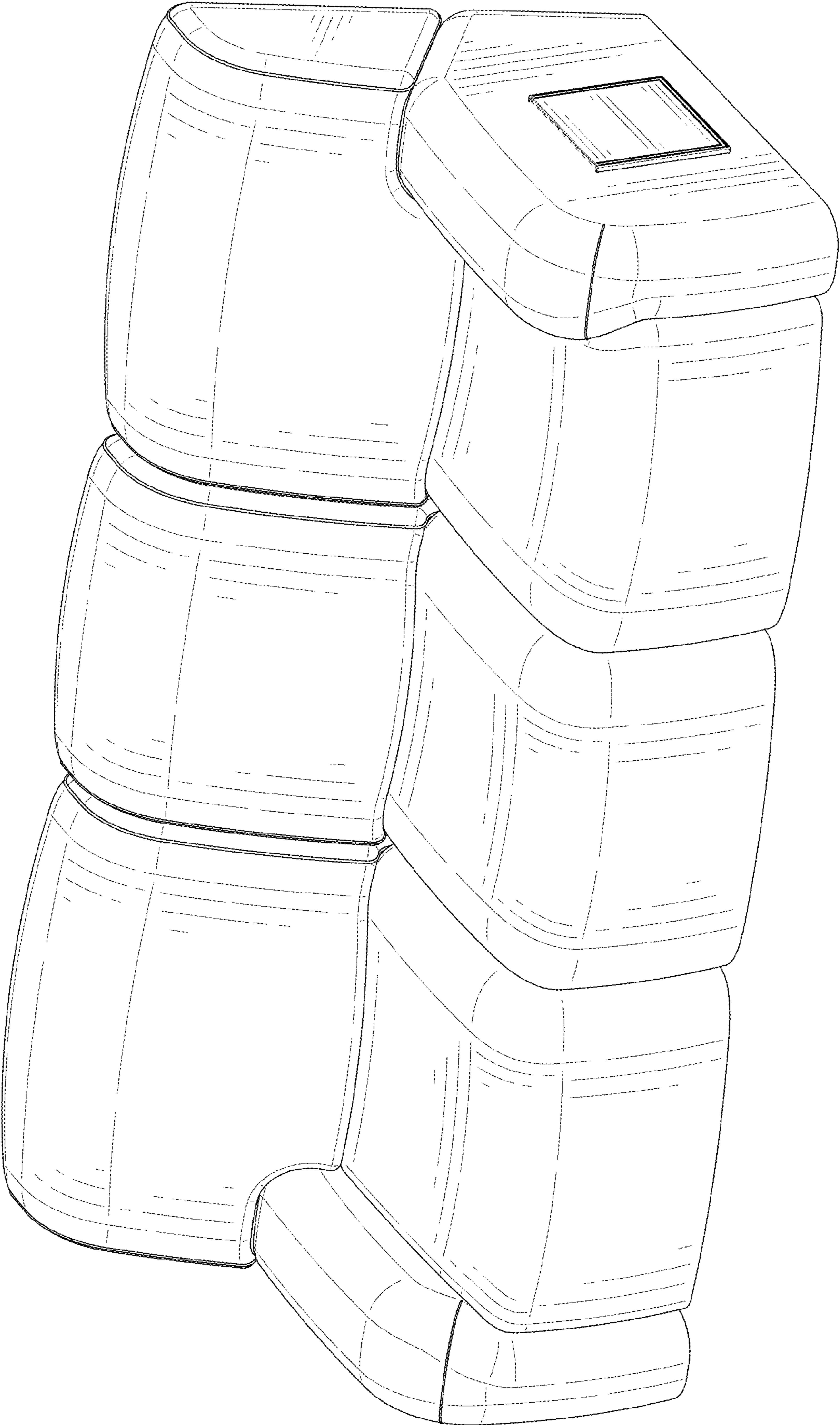


FIG. 1

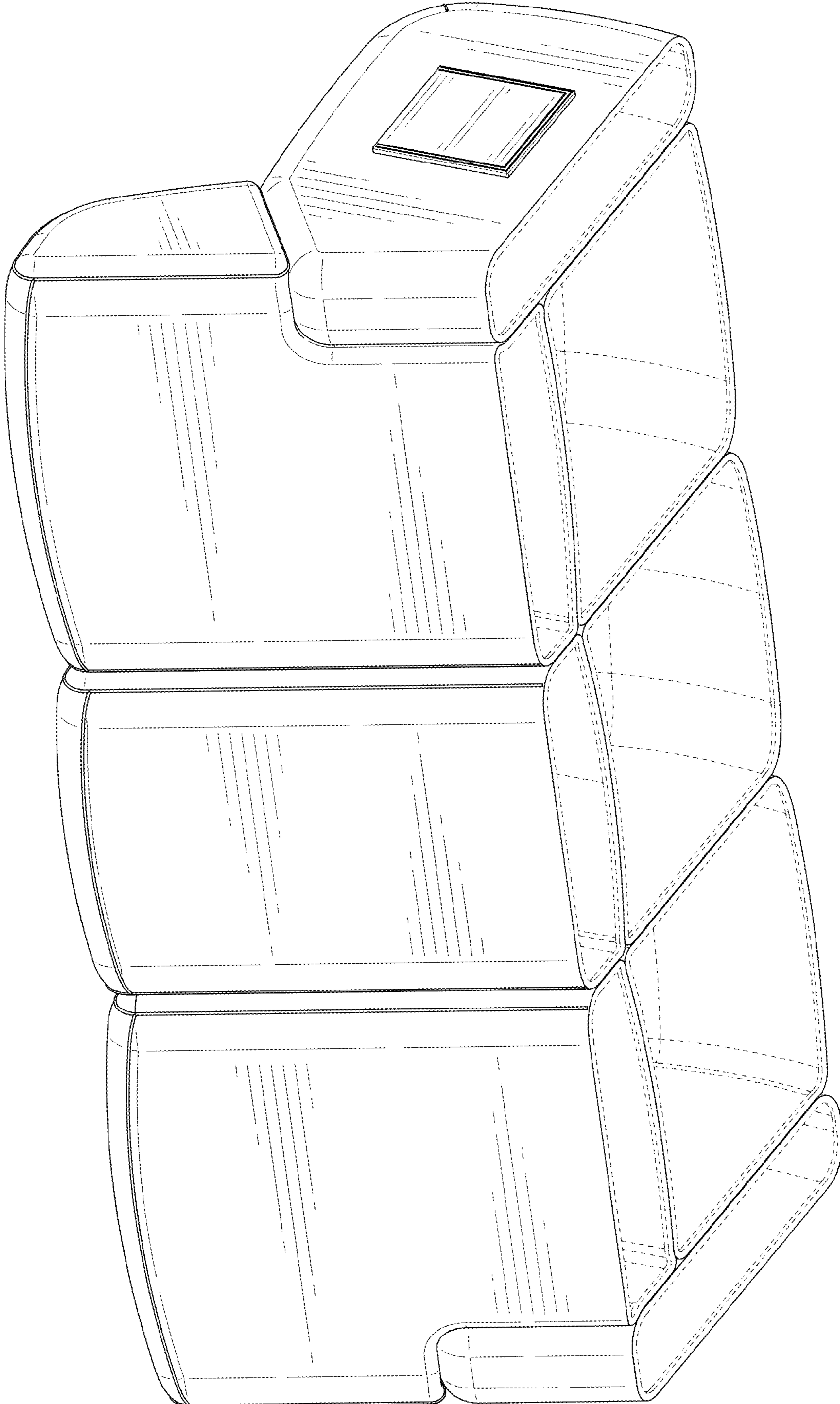


FIG. 2

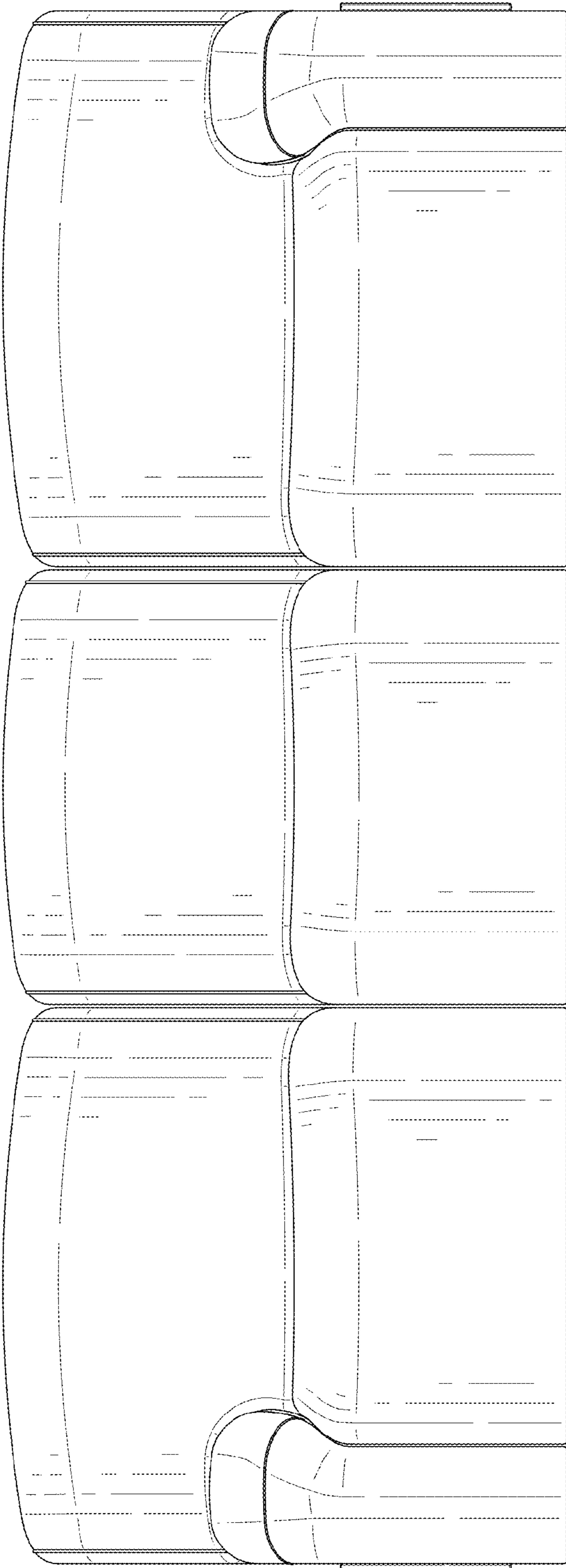


FIG. 3

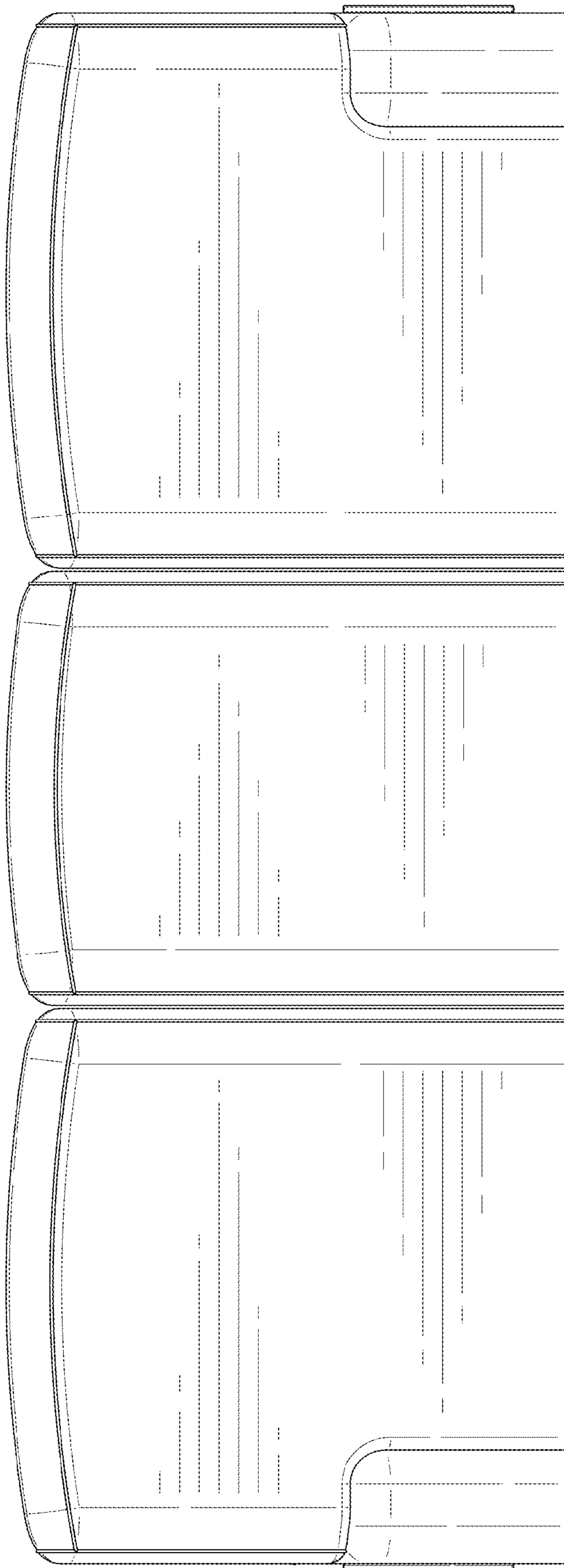


FIG. 4

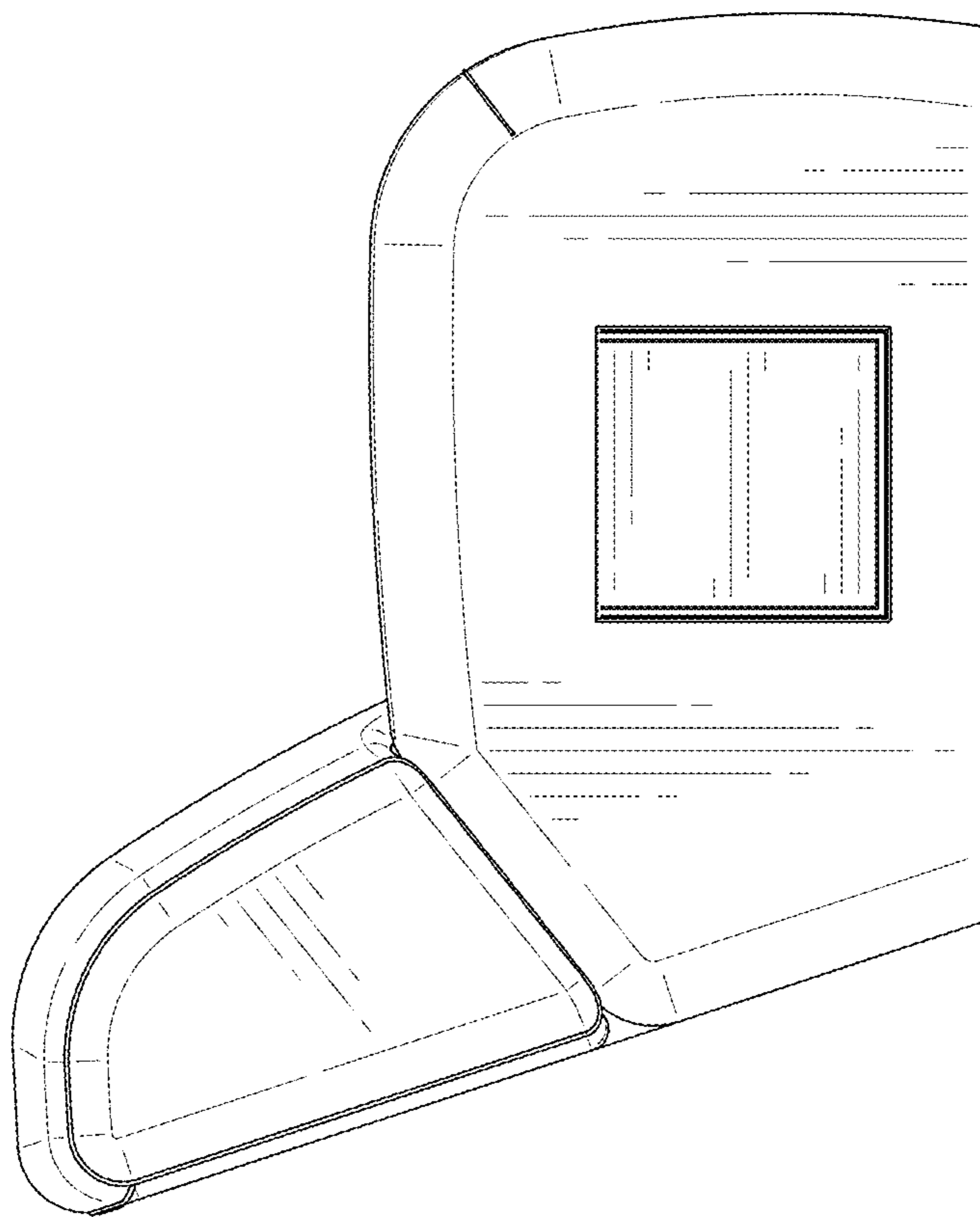


FIG. 5

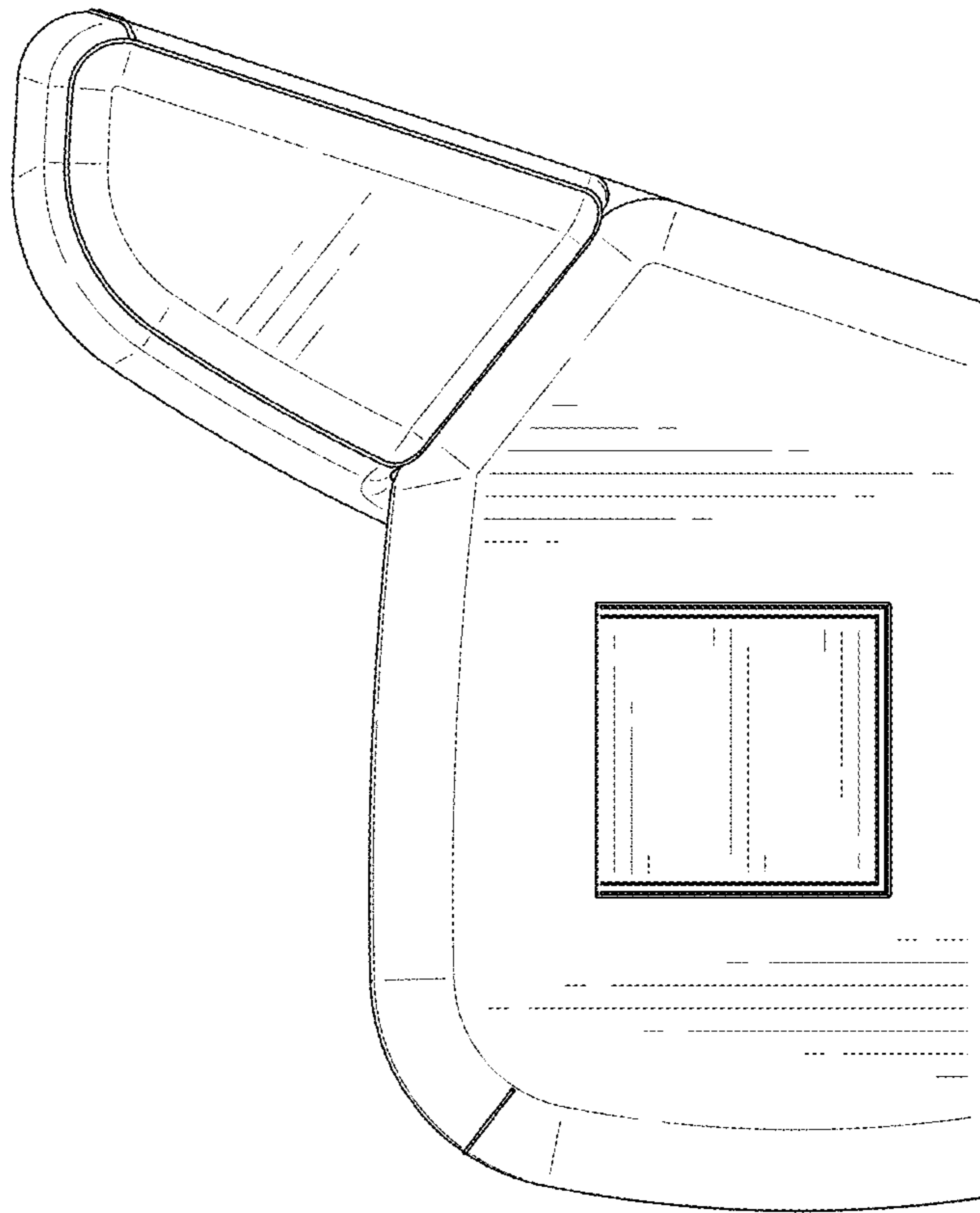


FIG. 6

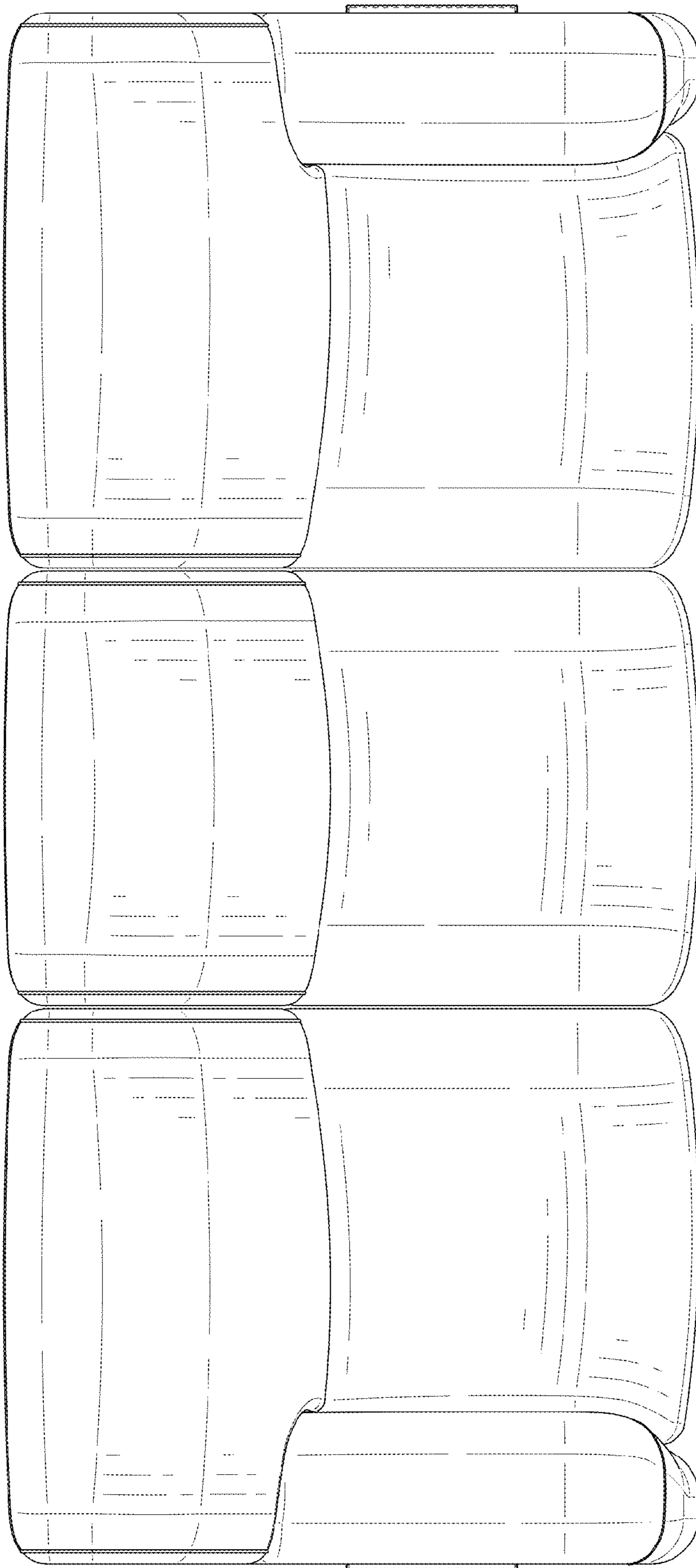


FIG. 7

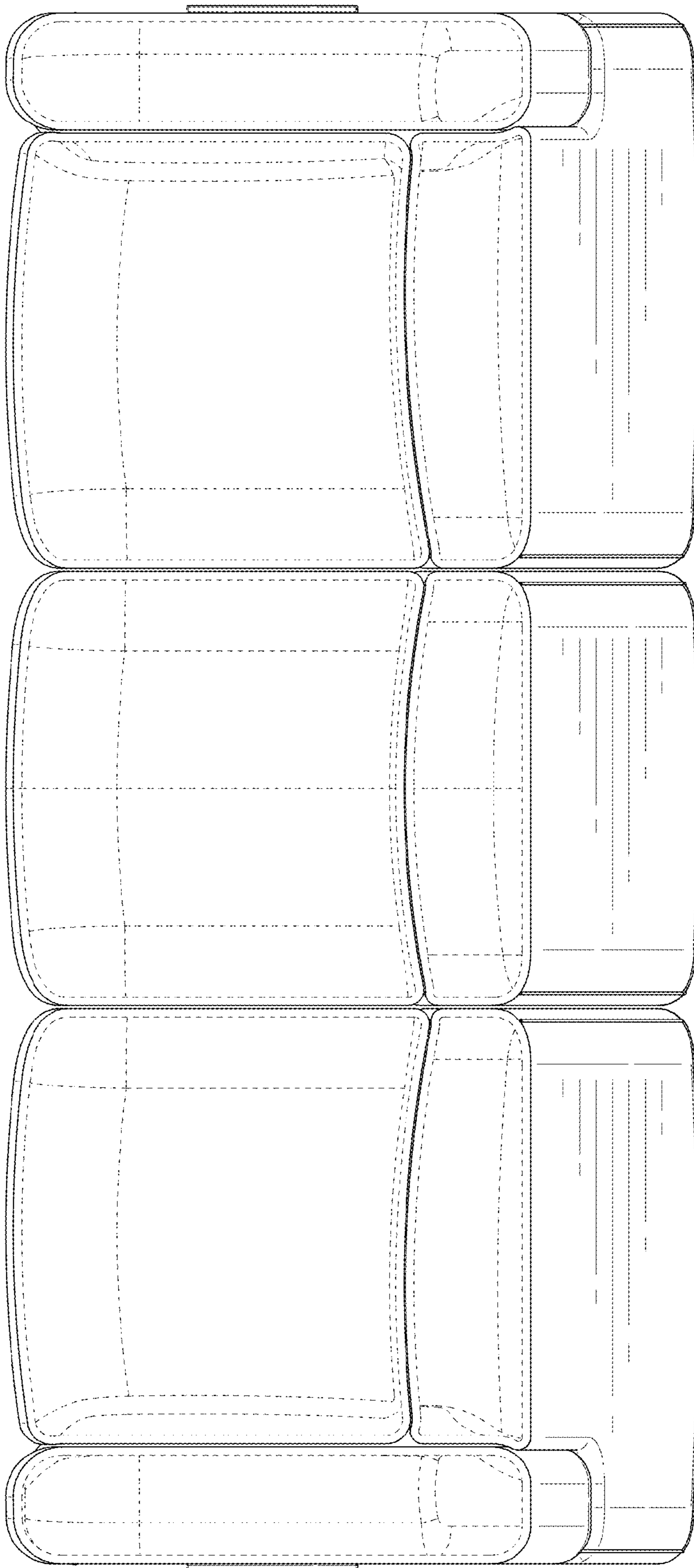


FIG. 8