



US00D909090S

(12) **United States Design Patent** (10) **Patent No.:** **US D909,090 S**
Diamond et al. (45) **Date of Patent:** **** Feb. 2, 2021**

(54) **EXTENDABLE BLIND**

FOREIGN PATENT DOCUMENTS

(71) Applicant: **Fourds Limited**, Magherafelt (GB)

DE 1509513 11/1969
DE 202007001597 4/2007

(72) Inventors: **Cormac Diamond**, Draperstown (GB);
Kevin McCullagh, Magherafelt (GB);
Patrick McGirr, Magherafelt (GB);
Kathryn Bleakley, Magherafelt (GB)

(Continued)

Primary Examiner — Kevin K Rudzinski

Assistant Examiner — Clare Ann Gannon

(74) *Attorney, Agent, or Firm* — Gardner Linn

(73) Assignee: **Fourds Limited**, Magherafelt (GB)

(**) Term: **15 Years**

(57) **CLAIM**

(21) Appl. No.: **29/662,700**

The ornamental design for an extendable blind, as shown and described.

(22) Filed: **Sep. 7, 2018**

(51) **LOC (13) Cl.** **06-10**

(52) **U.S. Cl.**

USPC **D6/575**

(58) **Field of Classification Search**

USPC D6/575-577, 579, 580; D13/155;
D25/119, 121, 136

CPC A47H 1/04; A47H 15/00; A47H 23/01;
E06B 2009/2622; E06B 2009/402; E06B
2009/407; E06B 9/26; E06B 9/28; E06B
9/323; E06B 9/36; E06B 9/386; E06B
9/388; E06B 9/40; E06B 9/42; E06B 9/58

See application file for complete search history.

DESCRIPTION

FIG. 1 is a front perspective view of an extendable blind showing our new design in a collapsed configuration and with a sheet attached thereto;

FIG. 2 is a top perspective view of the extendable blind of FIG. 1, shown with the sheet removed;

FIG. 3 is a top plan view of the extendable blind of FIG. 2; FIG. 4 is a front perspective view of the extendable blind of FIG. 2;

FIG. 5 is a bottom plan view of the extendable blind of FIG. 2;

FIG. 6 is another front perspective view of the extendable blind of FIG. 1, shown in an extended configuration and with a sheet attached thereto;

FIG. 7 is a top perspective view of the extendable blind of FIG. 6, shown with the sheet removed;

FIG. 8 is a top plan view of the extendable blind of FIG. 7; FIG. 9 is a front perspective view of the extendable blind of FIG. 7; and,

FIG. 10 is a bottom plan view of the extendable blind of FIG. 7.

In the drawings, portions of the extendable blind shown in broken lines form no part of the claimed design.

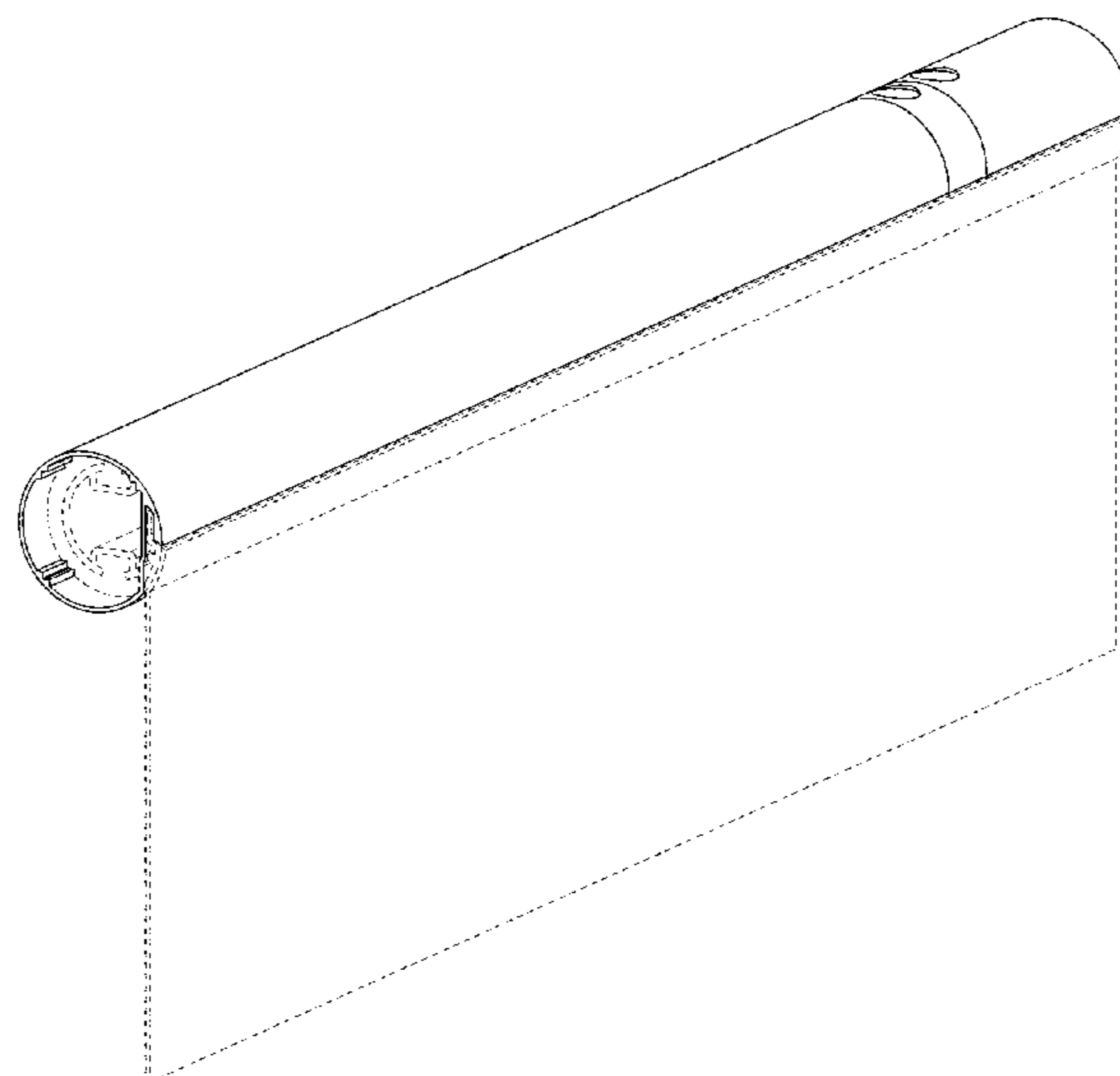
(56) **References Cited**

U.S. PATENT DOCUMENTS

D47,730 S 8/1915 Heulings, Jr.
1,341,051 A * 5/1920 Flemming E06B 9/44
403/106
1,550,701 A * 8/1925 Hoyt E06B 9/44
403/104
1,553,862 A 9/1925 Kirsch
1,749,595 A 3/1930 Mark
1,830,223 A * 11/1931 Bushnell E06B 9/44
403/104
D103,487 S 3/1937 Bonnell

(Continued)

1 Claim, 6 Drawing Sheets



(56)

References Cited

U.S. PATENT DOCUMENTS

2,336,189 A 12/1943 Price
 D173,462 S 11/1954 Schmoller
 2,755,578 A 7/1956 Glacius
 D191,907 S 12/1961 Conradt et al.
 3,018,824 A 1/1962 Anderson et al.
 D192,849 S 5/1962 McEvoy
 3,186,474 A 6/1965 Levitas
 4,006,770 A * 2/1977 Ferguson E06B 9/17
 160/263
 D257,503 S 11/1980 McKee
 D259,143 S 5/1981 Aktinson
 4,458,739 A 7/1984 Murray et al.
 4,520,583 A 6/1985 Oka
 D280,247 S 8/1985 Jones
 4,619,305 A * 10/1986 Comeau E06B 9/44
 160/263
 D324,645 S * 3/1992 Magro D25/122
 5,197,600 A 3/1993 Garcia
 D337,257 S 7/1993 Danieli
 5,259,520 A 11/1993 Roggio et al.
 D354,189 S 1/1995 Underdahl
 D357,563 S 4/1995 Vosbikian
 D360,038 S 7/1995 Bancrot
 5,450,890 A 9/1995 Pinkalla et al.
 D362,934 S 10/1995 Hansen
 5,456,304 A 10/1995 Colson et al.
 5,462,105 A * 10/1995 Supernak E06B 9/323
 160/238
 D368,344 S 3/1996 Hansen
 5,568,390 A 10/1996 Hirota et al.
 5,798,861 A 8/1998 Doat
 D398,283 S 9/1998 Miller
 6,050,322 A 4/2000 Finkelstein et al.
 6,237,667 B1 5/2001 Fraczek et al.
 6,249,377 B1 6/2001 Takamoto et al.
 6,286,802 B1 9/2001 Munson et al.
 D473,663 S 4/2003 Chou
 6,876,493 B1 4/2005 Lin
 7,001,558 B2 2/2006 Baldoni
 D557,112 S 12/2007 Franssen
 D558,569 S 1/2008 Hanley
 7,337,822 B2 3/2008 Snyder et al.
 7,380,582 B1 * 6/2008 Anderson E06B 9/34
 160/323.1
 7,458,175 B2 12/2008 Meyer et al.
 7,510,111 B2 3/2009 Mikkelsen et al.
 D633,320 S 3/2011 Brace et al.
 D659,513 S 5/2012 Lin
 D668,945 S 10/2012 Fernandez
 8,559,104 B2 10/2013 Hendricks
 D698,046 S 1/2014 Griffiths

D698,946 S 2/2014 Griffiths
 D746,745 S 1/2016 Schoonover
 9,280,600 B2 3/2016 Hay et al.
 D768,882 S 10/2016 Mumford, Sr.
 D769,034 S 10/2016 Lawson
 D769,462 S 10/2016 Mumford, Sr.
 D785,209 S 4/2017 Ryan
 D786,033 S 5/2017 Rampling
 9,683,407 B2 6/2017 Diamond
 9,689,202 B2 6/2017 Lin et al.
 9,702,187 B2 7/2017 Holt et al.
 D793,138 S 8/2017 Baldoni et al.
 D809,674 S 2/2018 Singh
 D825,954 S 8/2018 Diamond
 D825,983 S 8/2018 Diamond
 D877,933 S * 3/2020 Devitt E06B 9/44
 D25/41.1
 D886,491 S * 6/2020 Huang D6/580
 2002/0125389 A1 9/2002 Chu
 2004/0065416 A1 4/2004 Auger et al.
 2005/0051282 A1 3/2005 Bohlen
 2005/0247410 A1 11/2005 Nien et al.
 2006/0191646 A1 8/2006 Harper et al.
 2008/0110582 A1 5/2008 Rasmussen
 2008/0148526 A1 6/2008 Garcia
 2010/0155000 A1 6/2010 Krab et al.
 2010/0175838 A1 * 7/2010 Faller H02K 5/24
 160/310
 2011/0049071 A1 * 3/2011 Hart E06B 9/48
 211/124
 2011/0126959 A1 6/2011 Holt et al.
 2011/0180219 A1 7/2011 Pereira et al.
 2011/0225774 A1 9/2011 Seddon
 2012/0031571 A1 * 2/2012 Mullet E06B 9/40
 160/310
 2013/0153161 A1 6/2013 Haarer et al.
 2013/0306255 A1 11/2013 Ng
 2014/0251558 A1 * 9/2014 Chou E06B 9/50
 160/323.1
 2014/0262069 A1 9/2014 Drew et al.
 2015/0184455 A1 7/2015 Perkowitz et al.
 2016/0237743 A1 8/2016 Holt et al.
 2016/0319596 A1 11/2016 Li
 2017/0208981 A1 7/2017 Nir et al.
 2020/0071993 A1 * 3/2020 Chou E06B 9/322

FOREIGN PATENT DOCUMENTS

EM 002206730 3/2013
 EP 1285421 1/2004
 FR 2872850 1/2006
 JP H08121050 5/1996
 JP H10292756 11/1998

* cited by examiner

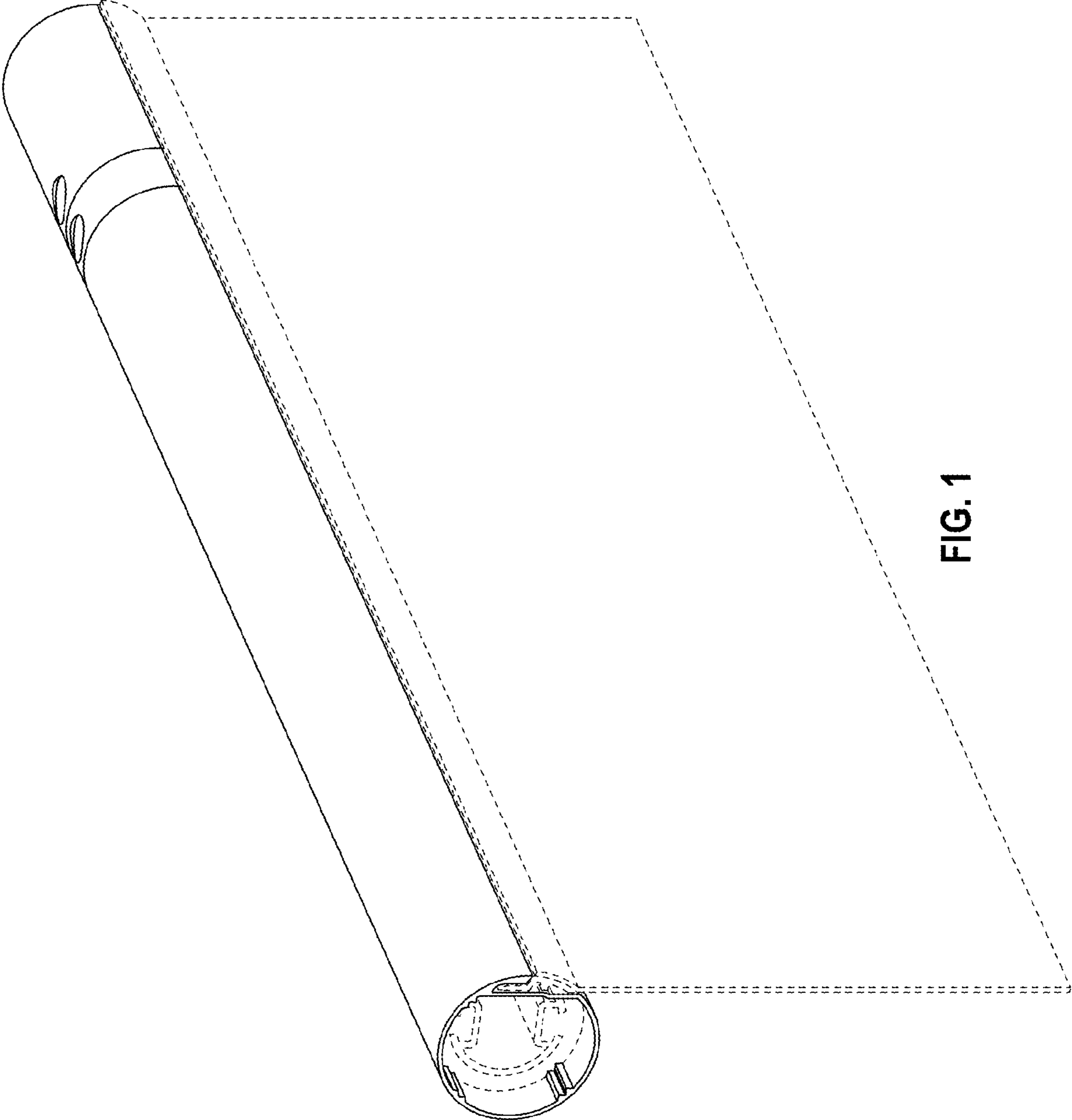


FIG. 1

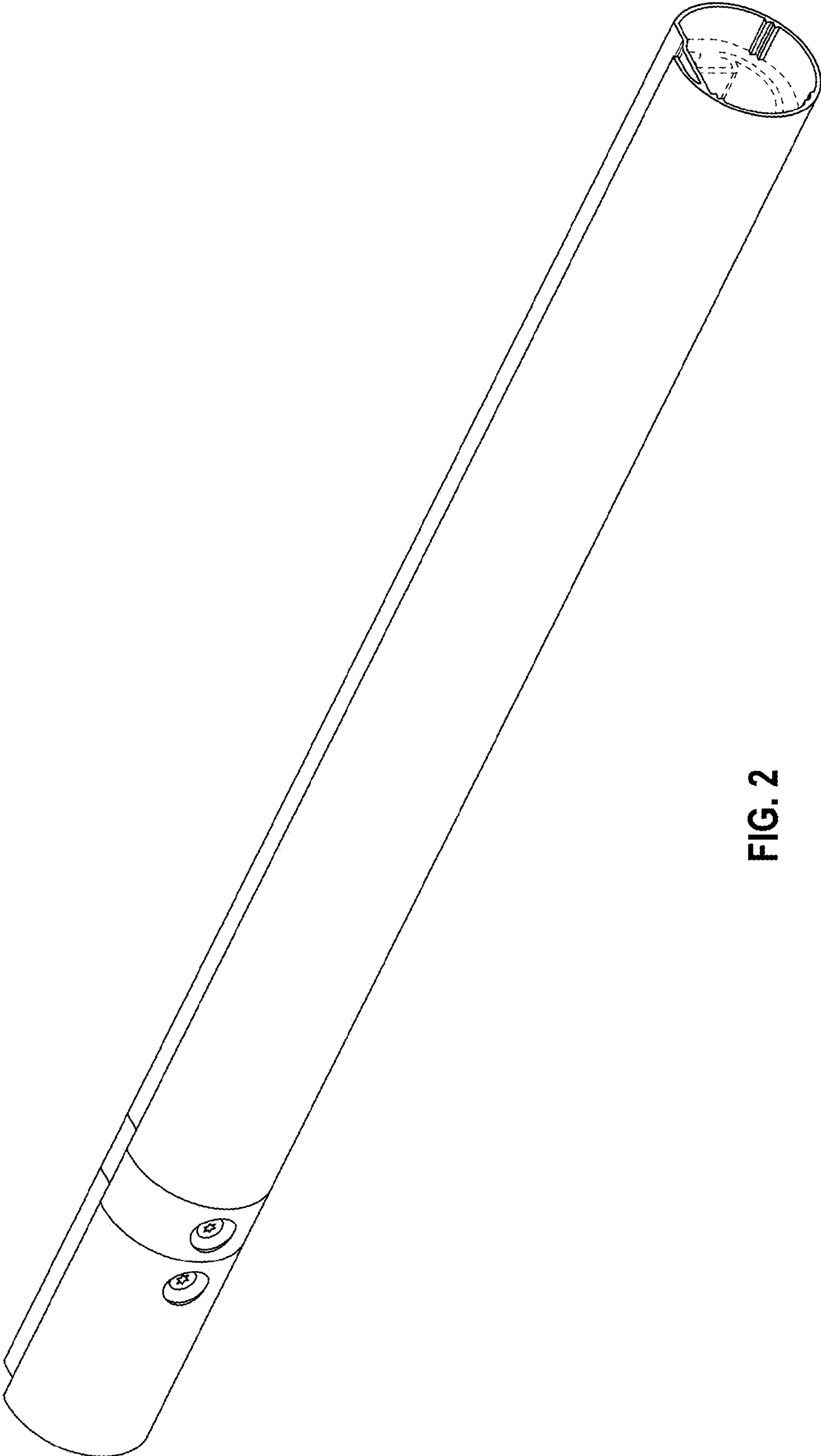


FIG. 2

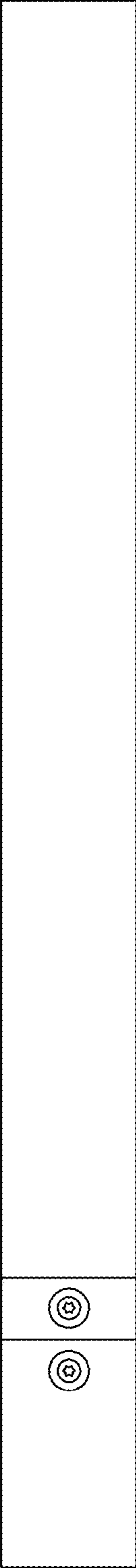


FIG. 3

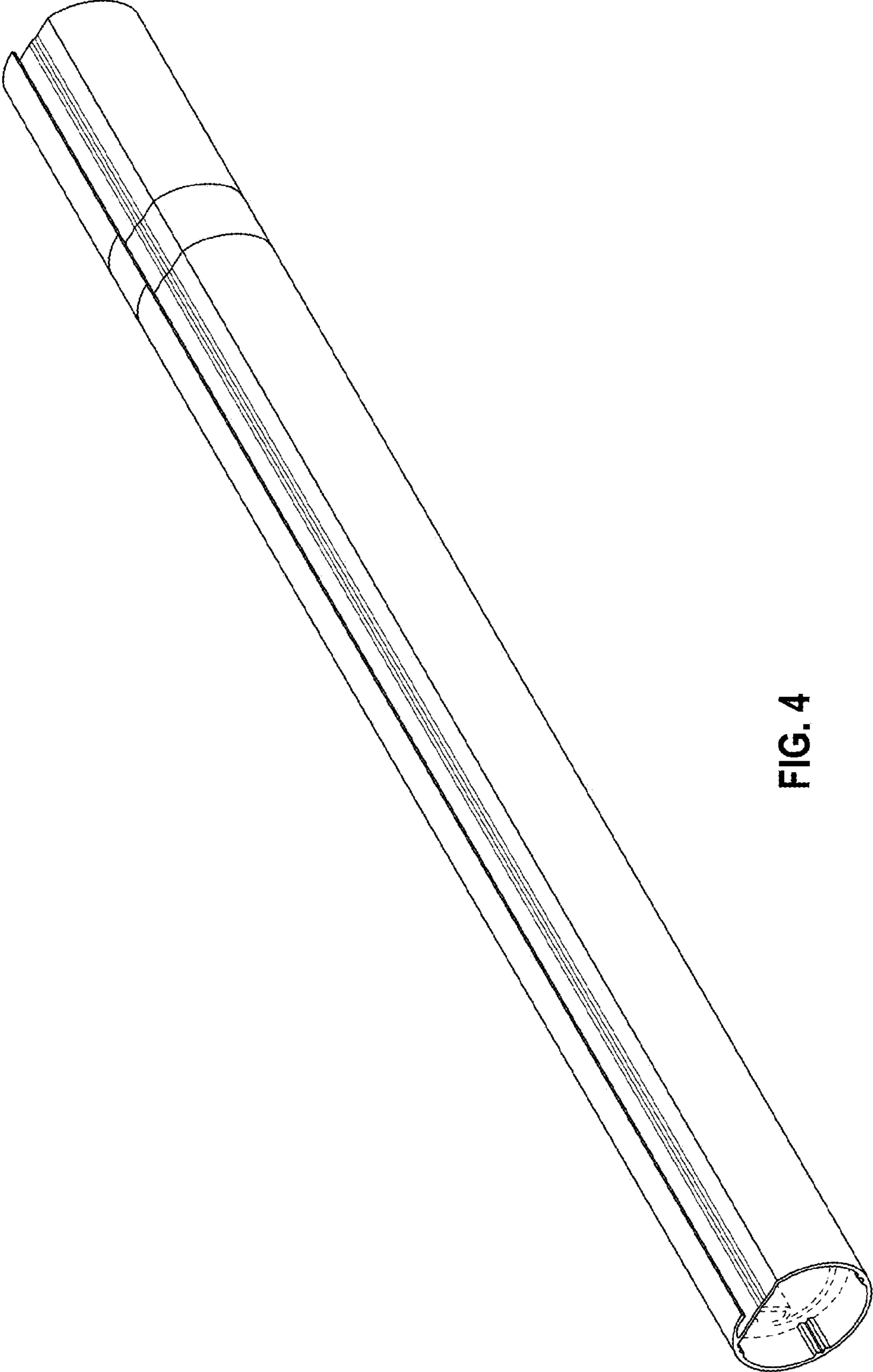


FIG. 4



FIG. 5

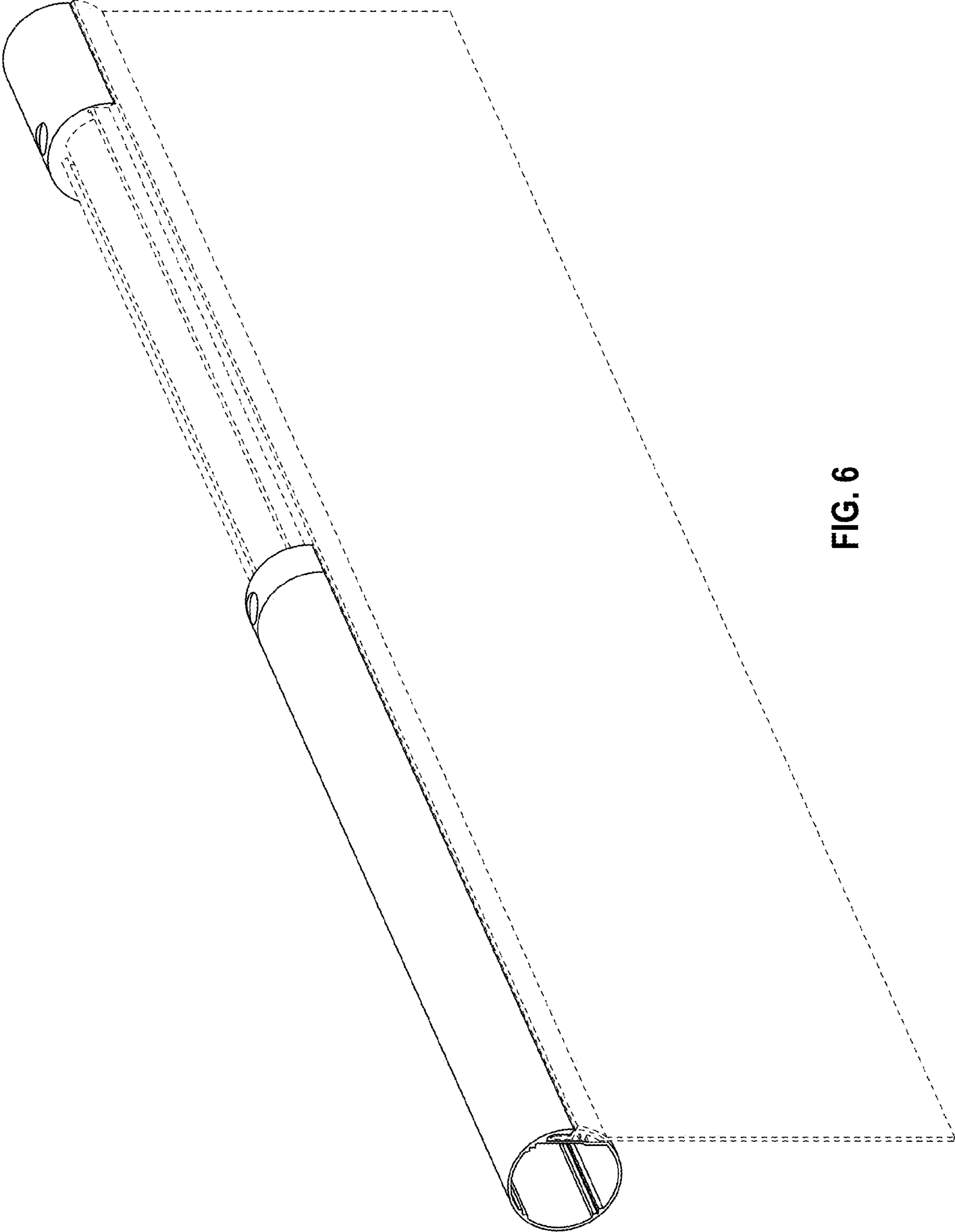


FIG. 6

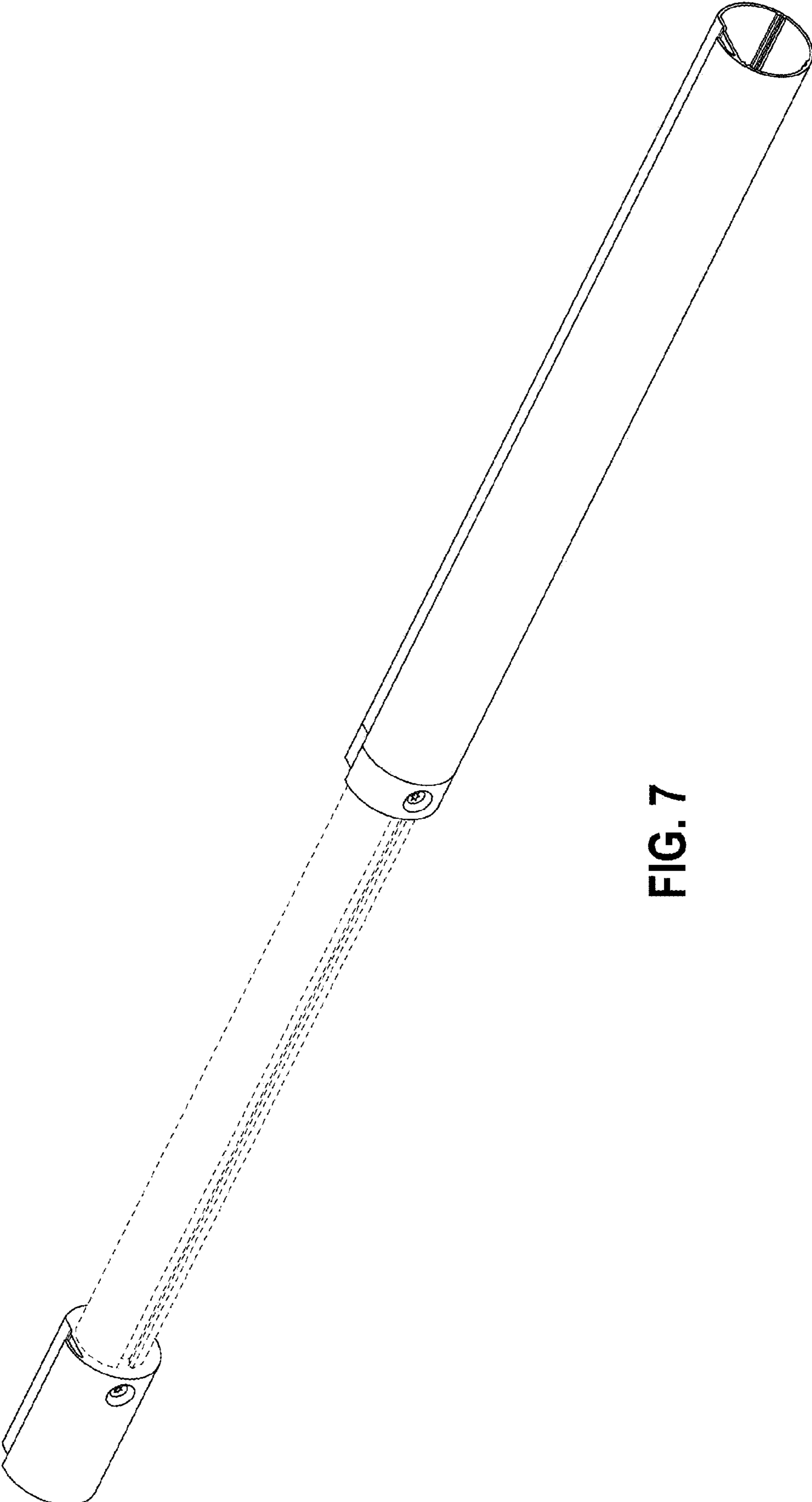


FIG. 7

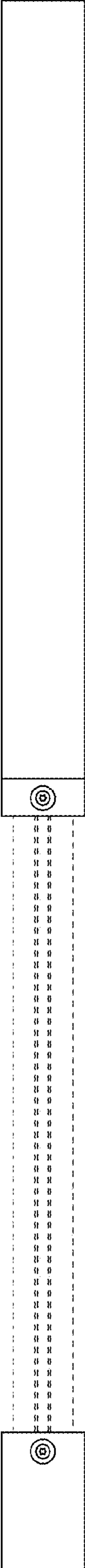


FIG. 8

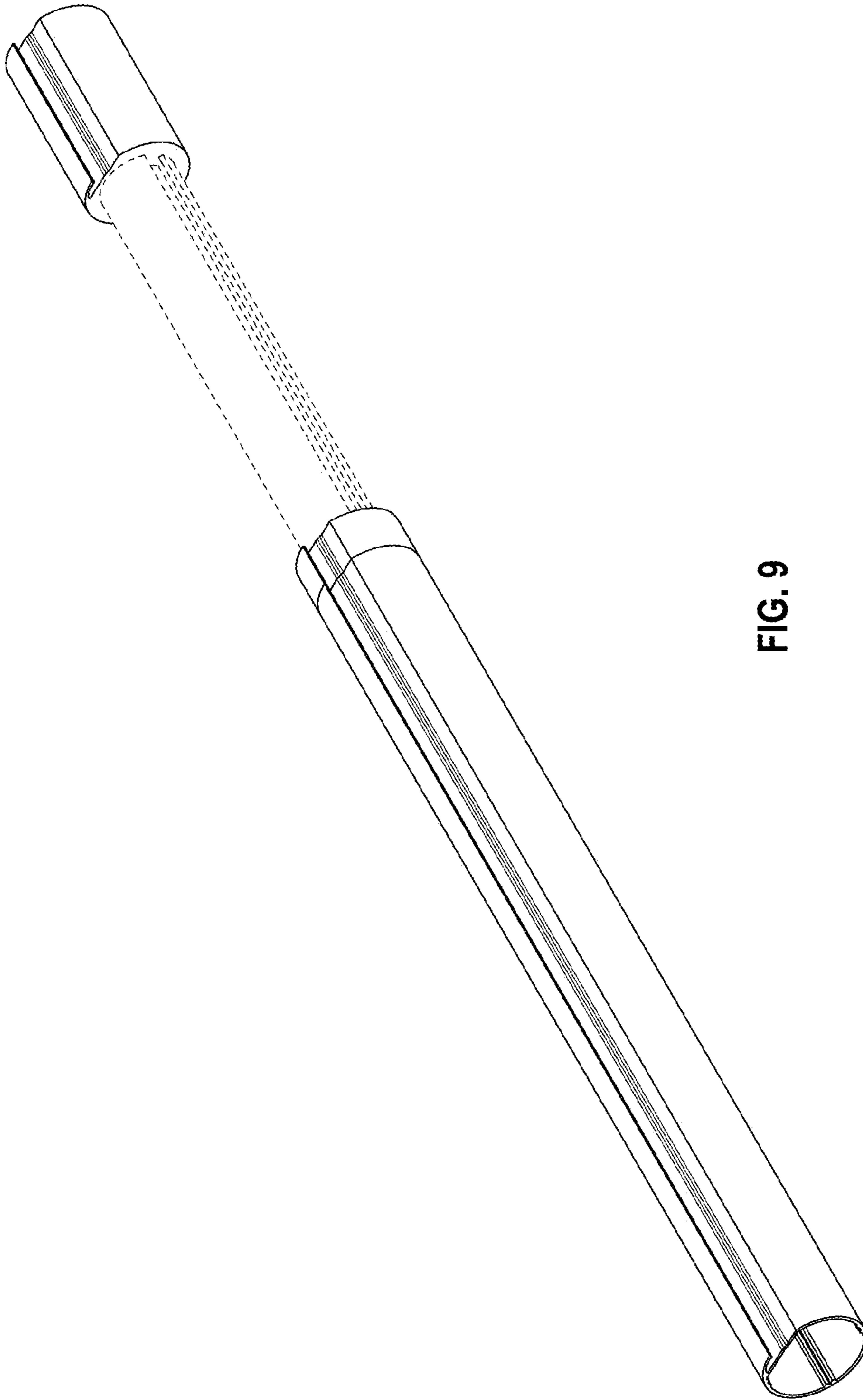


FIG. 9

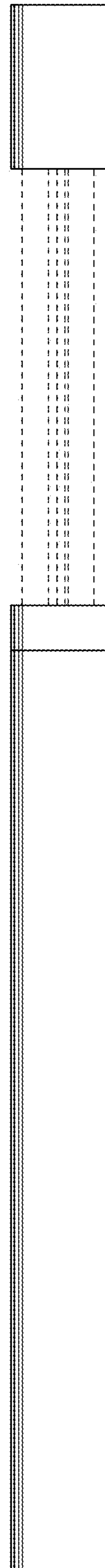


FIG. 10