



US00D909089S

(12) **United States Design Patent** (10) **Patent No.:** **US D909,089 S**
Hong (45) **Date of Patent:** **** Feb. 2, 2021**

(54) **SOAP DISPENSER**
(71) Applicant: **Shanshan Hong, Yuyao (CN)**
(72) Inventor: **Shanshan Hong, Yuyao (CN)**
(73) Assignee: **Shanshan Hong, Yuyao (CN)**
(**) Term: **15 Years**
(21) Appl. No.: **29/718,779**
(22) Filed: **Dec. 27, 2019**
(51) **LOC (13) Cl.** **23-02**
(52) **U.S. Cl.**
USPC **D6/542**
(58) **Field of Classification Search**
USPC D6/542, 545, 543, 544; 206/77.1;
221/282-283, 96, 132; 222/92, 105, 173,
222/180, 181.1, 181.2, 181.3, 282, 283
CPC B01L 3/52; B05B 11/3014; B05B 9/0403;
B05B 9/0426; C11D 17/08; A45D 19/02;
A47K 5/12; A47K 5/1202; A47K 5/1211;
B67D 7/0255
See application file for complete search history.

D661,531 S * 6/2012 Tompkin D6/542
D663,983 S * 7/2012 Yang D6/542
D682,589 S * 5/2013 Cheng D6/542
D690,130 S * 9/2013 Clough D6/542
D732,308 S * 6/2015 Enga D6/542
D793,762 S * 8/2017 Yuan D6/542
D818,741 S * 5/2018 Yang D6/542
D847,533 S * 5/2019 Wang D6/542
D853,748 S * 7/2019 Zou D6/542
D866,219 S * 11/2019 Wegner D6/542
D892,516 S * 8/2020 Yang D6/542
D894,631 S * 9/2020 Yang D6/542
D895,998 S * 9/2020 Li D6/542
D897,721 S * 10/2020 Jia D6/542
2015/0238053 A1* 8/2015 Yang A47K 5/1217
222/23

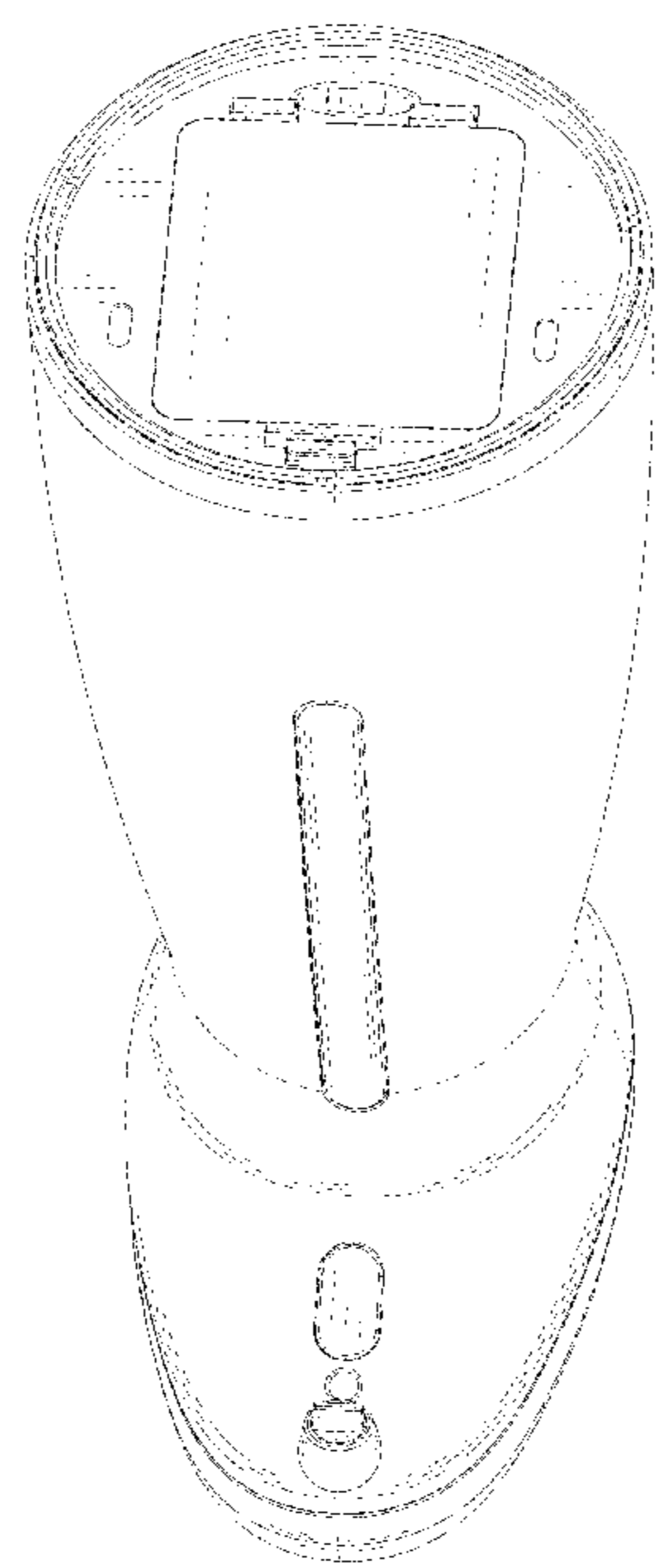
* cited by examiner
Primary Examiner — Nathan M Johnston
(74) *Attorney, Agent, or Firm* — Dragon Sun Law Firm,
PC; Jinggao Li, Esq.

(57) **CLAIM**
The ornamental design for a soap dispenser, as shown and described.

DESCRIPTION
FIG. 1 is a prospective review of a soap dispenser showing my new design;
FIG. 2 is another prospective view thereof;
FIG. 3 is a front view thereof;
FIG. 4 is a back view thereof;
FIG. 5 is a left side view thereof;
FIG. 6 is a right side view thereof;
FIG. 7 is a top plan view thereof; and,
FIG. 8 is a bottom plan view thereof.
The broken lines in the drawings illustrate portions of the soap dispenser and form no part of the claimed design.

1 Claim, 8 Drawing Sheets

(56) **References Cited**
U.S. PATENT DOCUMENTS
D224,600 S * 8/1972 Glaberson D6/543
D426,413 S * 6/2000 Kreitemier D6/543
D456,654 S * 5/2002 Kunesh D6/543
D531,440 S * 11/2006 Lo D6/542
D531,845 S * 11/2006 Christianson D6/542
D564,273 S * 3/2008 Yang D6/542
D593,784 S * 6/2009 Chan D6/542
D608,578 S * 1/2010 Yang D6/542
D626,365 S * 11/2010 Yang D6/542
D659,452 S * 5/2012 Yang D6/542
D660,061 S * 5/2012 Fernandes D6/542



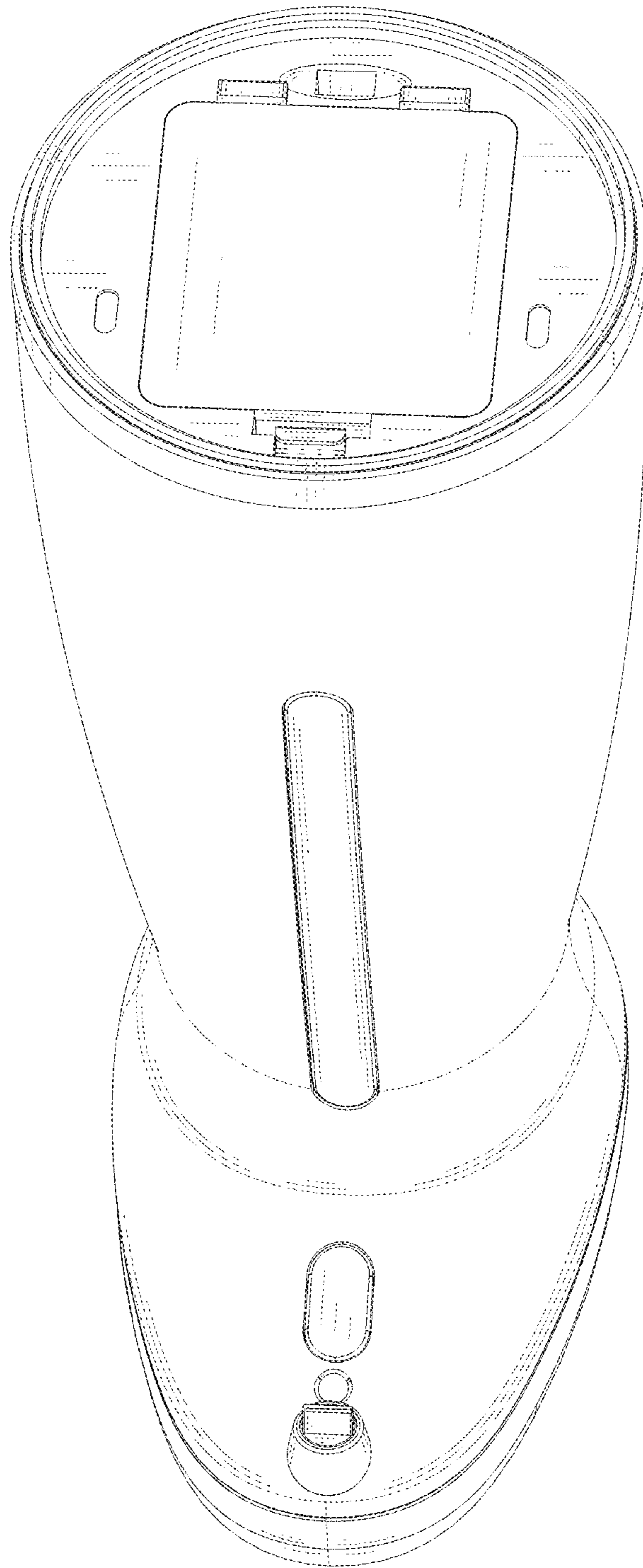


FIG. 1

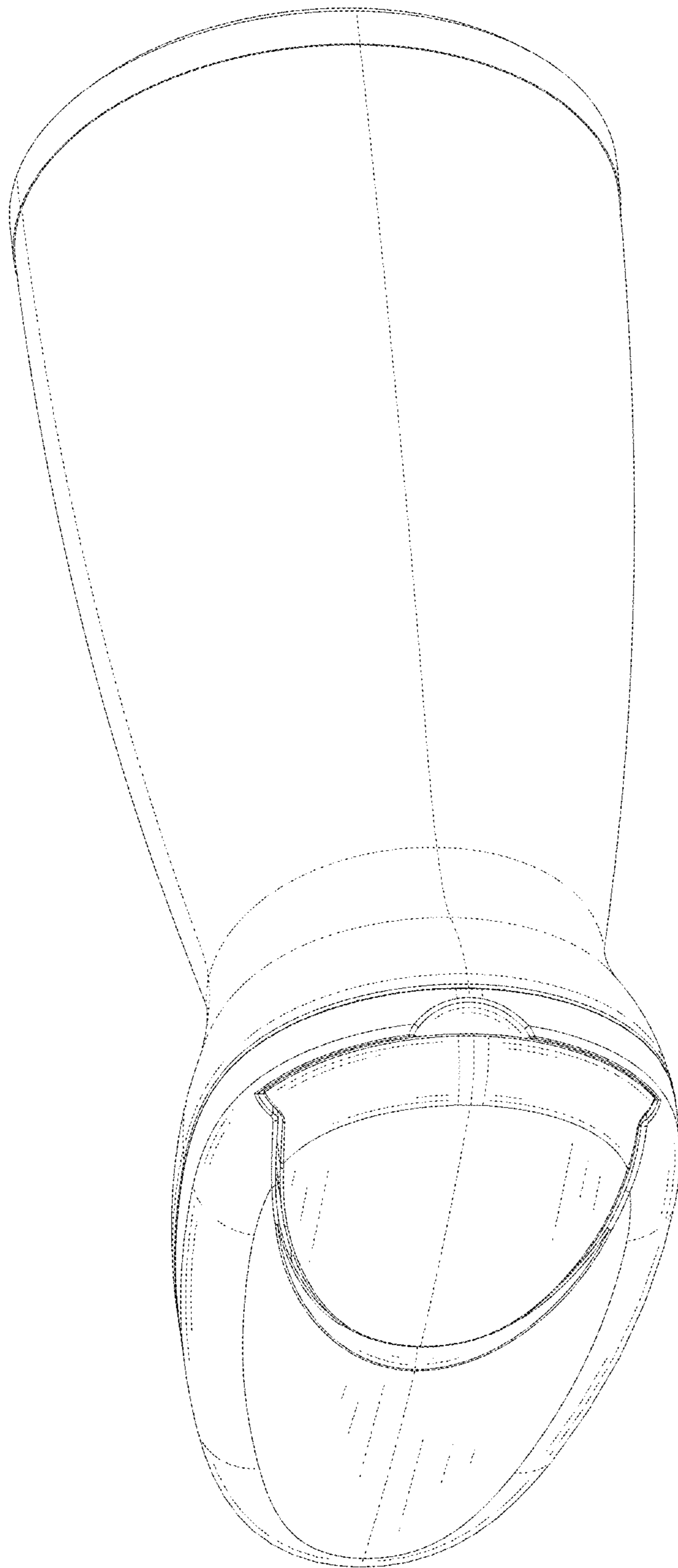


FIG. 2

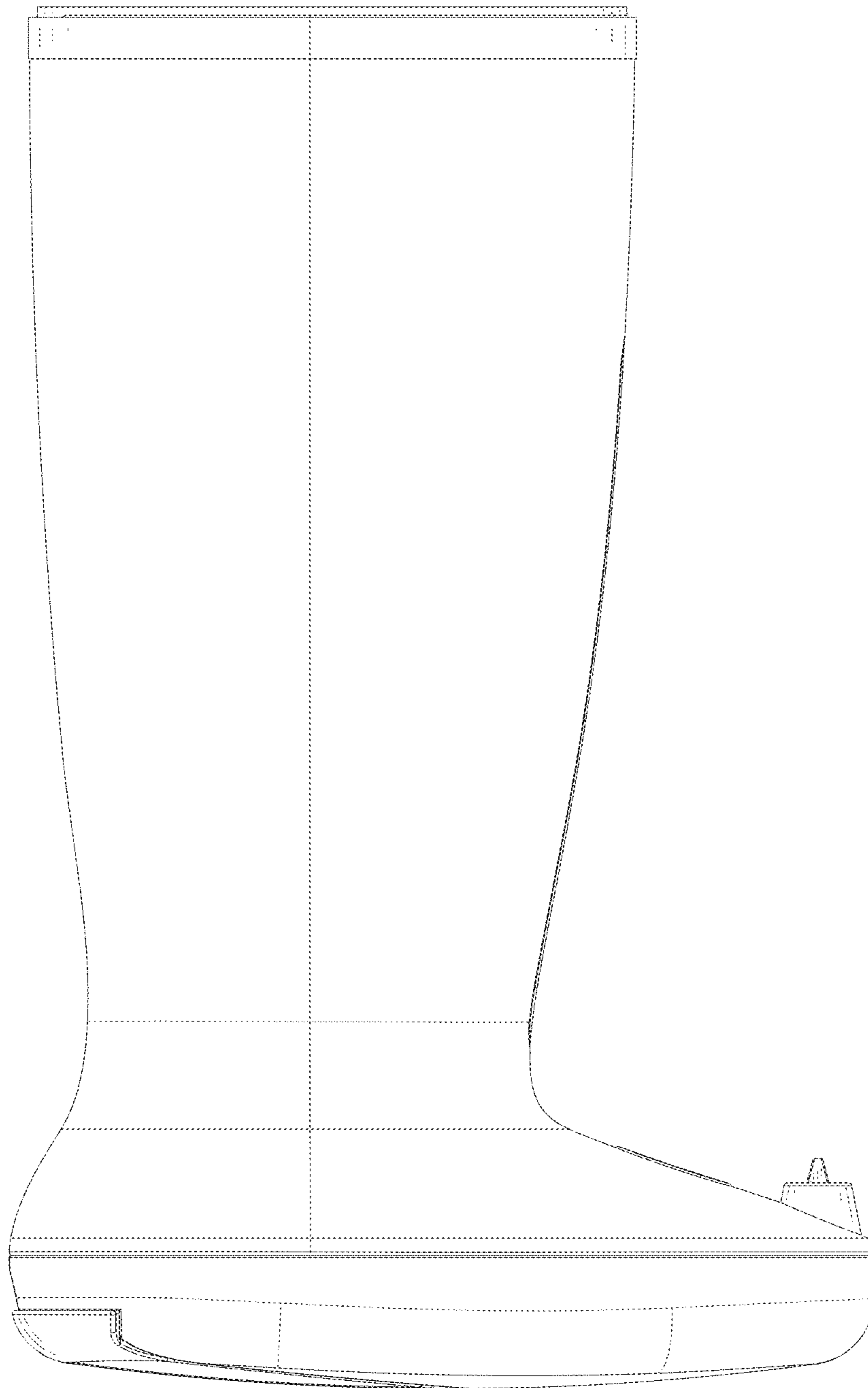


FIG. 3

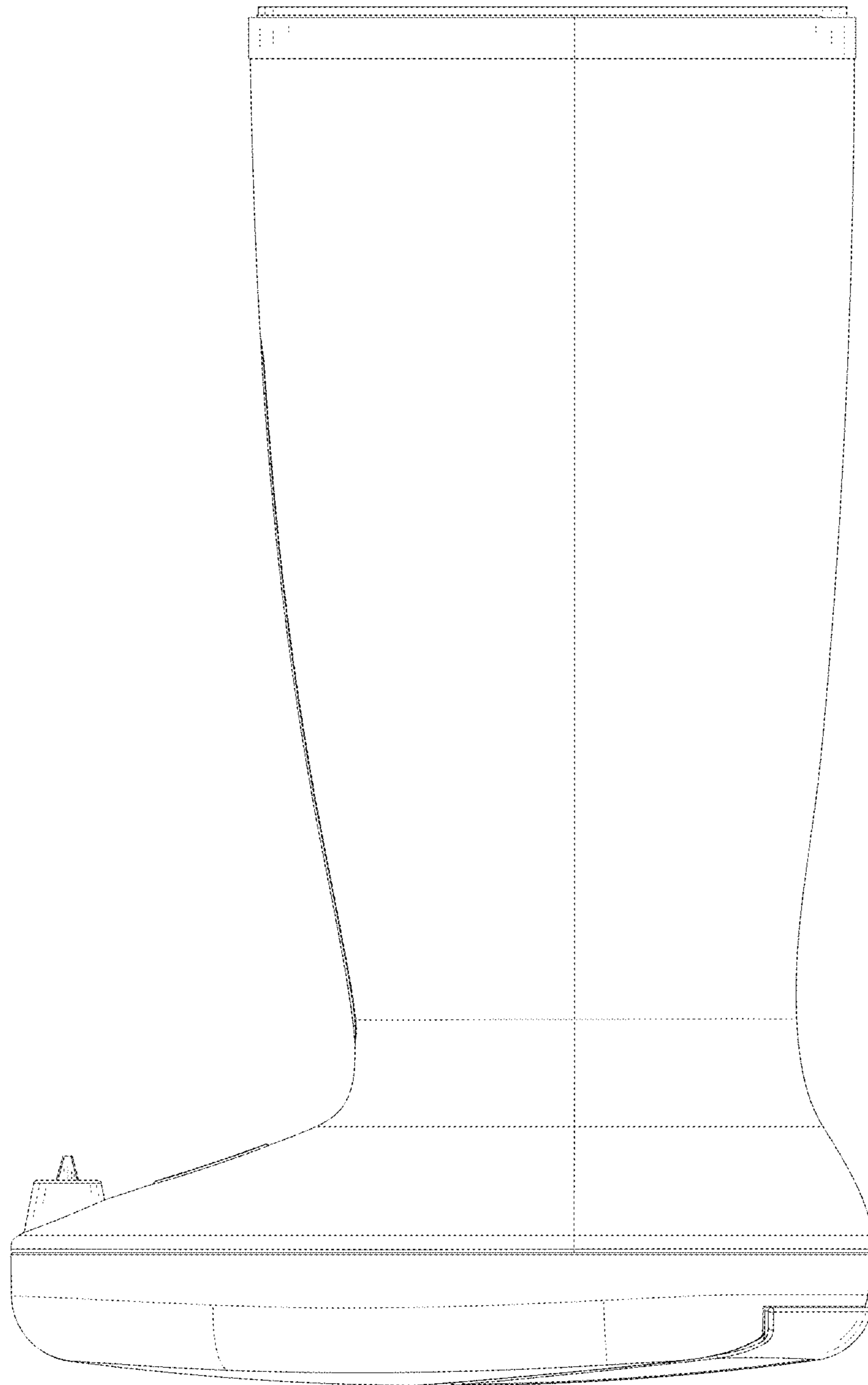


FIG. 4

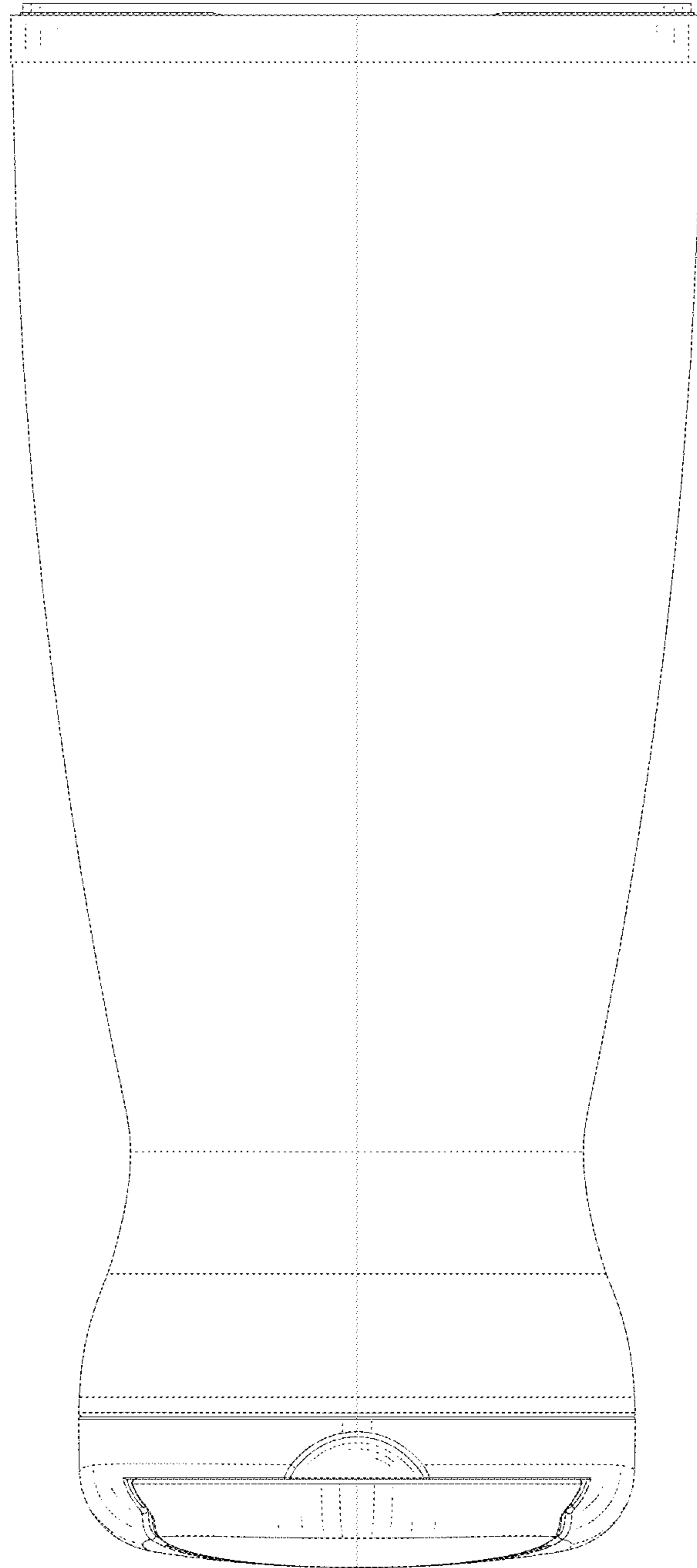


FIG. 5

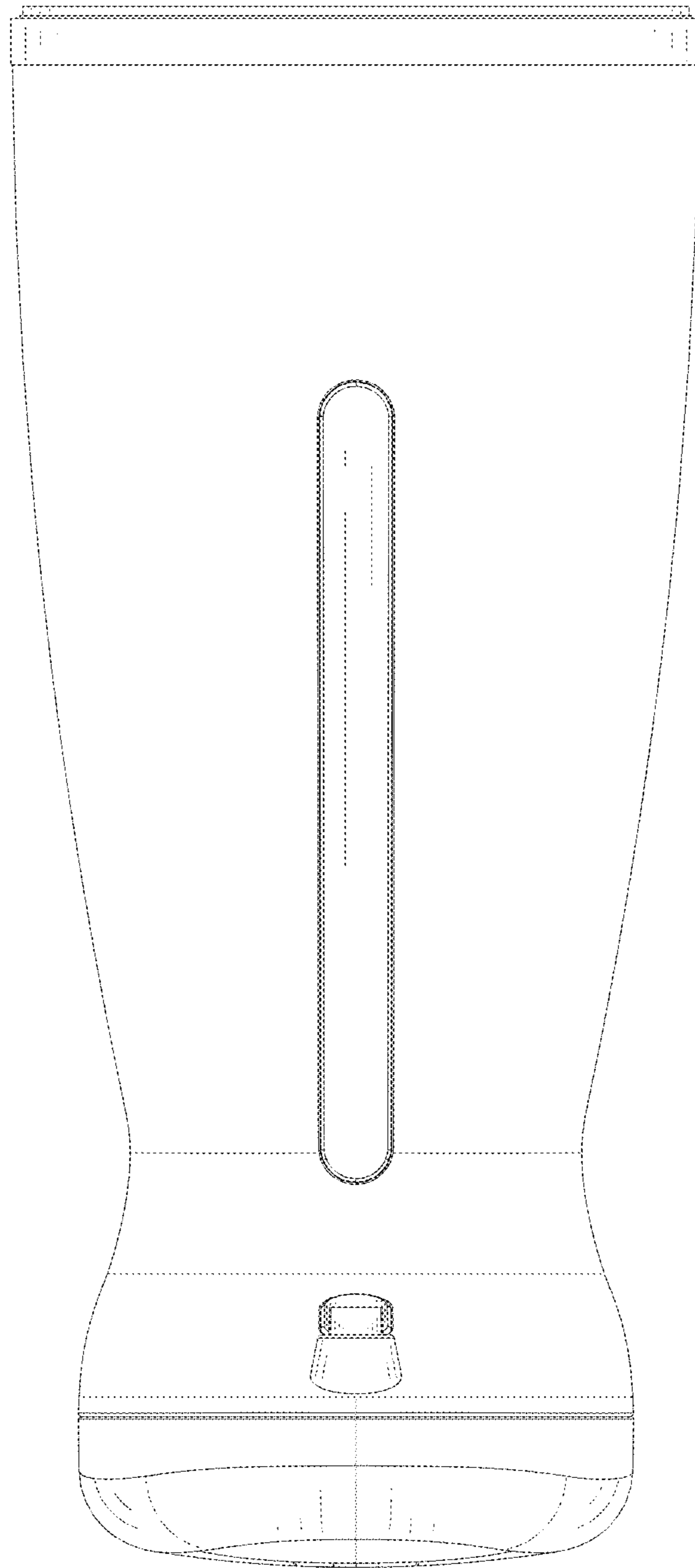


FIG. 6

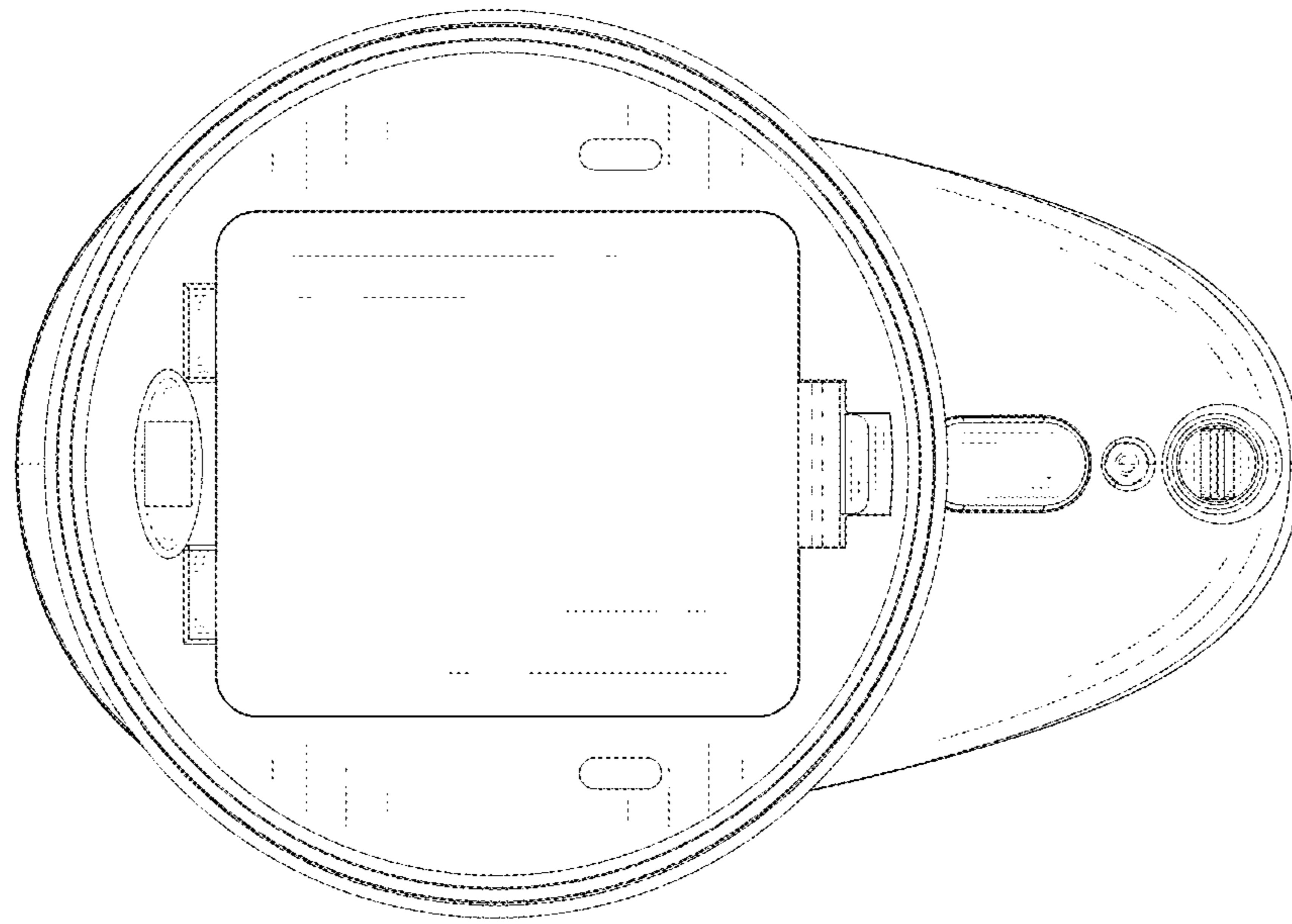


FIG. 7

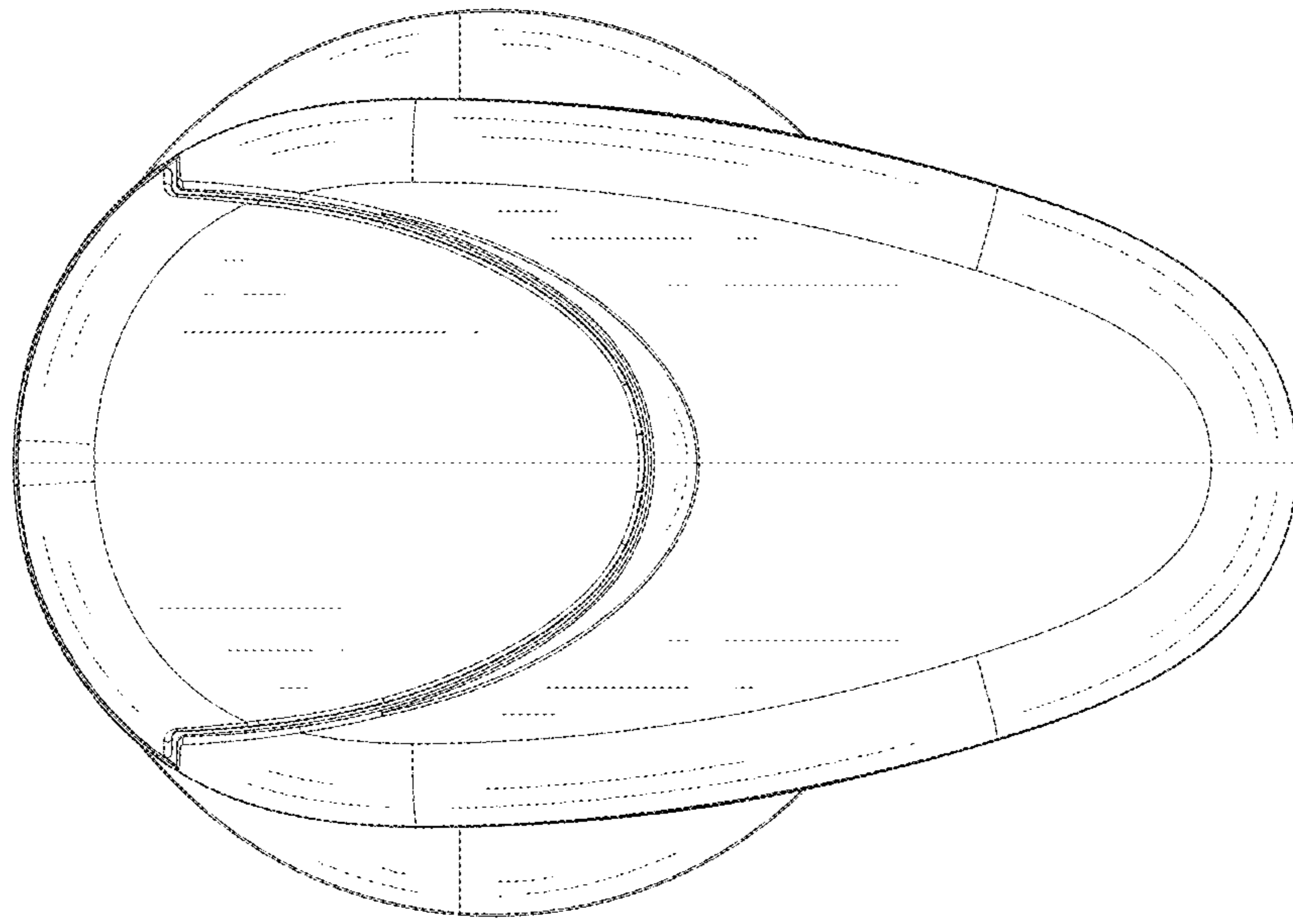


FIG. 8