



US00D909086S

(12) **United States Design Patent**
Maynes

(10) **Patent No.:** **US D909,086 S**

(45) **Date of Patent:** **** Feb. 2, 2021**

(54) **CHAIR**

(71) Applicant: **Studio Designs Inc.**, Commerce, CA (US)

(72) Inventor: **Scott Maynes**, Commerce, CA (US)

(73) Assignee: **Studio Designs Inc.**, Commerce, CA (US)

(**) Term: **15 Years**

(21) Appl. No.: **29/659,949**

(22) Filed: **Aug. 14, 2018**

(51) **LOC (13) Cl.** **06-01**

(52) **U.S. Cl.**
USPC **D6/379**

(58) **Field of Classification Search**
USPC D6/334, 335, 349, 370-376, 379, 380
CPC A47C 1/00; A47C 3/00; A47C 3/04; A47C 3/12; A47C 5/04; A47C 5/14; A47C 7/02; A47C 7/16; A47C 7/18; A47C 7/24; A47C 7/36; A47C 7/40

See application file for complete search history.

(56) **References Cited**

U.S. PATENT DOCUMENTS

D487,988 S * 4/2004 Hutton D6/370
D562,020 S * 2/2008 Massaud D6/373

D646,071 S * 10/2011 Bogdan D6/370
D666,424 S * 9/2012 Carter, III D6/334
D708,452 S * 7/2014 Garcia D6/379
D720,942 S * 1/2015 Schweikarth D6/379
D732,302 S * 6/2015 Lange D6/379
D752,354 S * 3/2016 Fairbanks D6/370
D799,231 S * 10/2017 Baylar D6/373
D821,111 S * 6/2018 Scallions D6/371
D848,172 S * 5/2019 Tham D6/370
D852,533 S * 7/2019 Asner D6/379

* cited by examiner

Primary Examiner — R. Johnson

(74) *Attorney, Agent, or Firm* — Elizabeth Yang

(57) **CLAIM**

The ornamental design for a chair, as shown and described.

DESCRIPTION

FIG. 1 is a perspective view of a chair showing my new design;

FIG. 2 is a front view thereof;

FIG. 3 is a back view thereof;

FIG. 4 is a left view thereof;

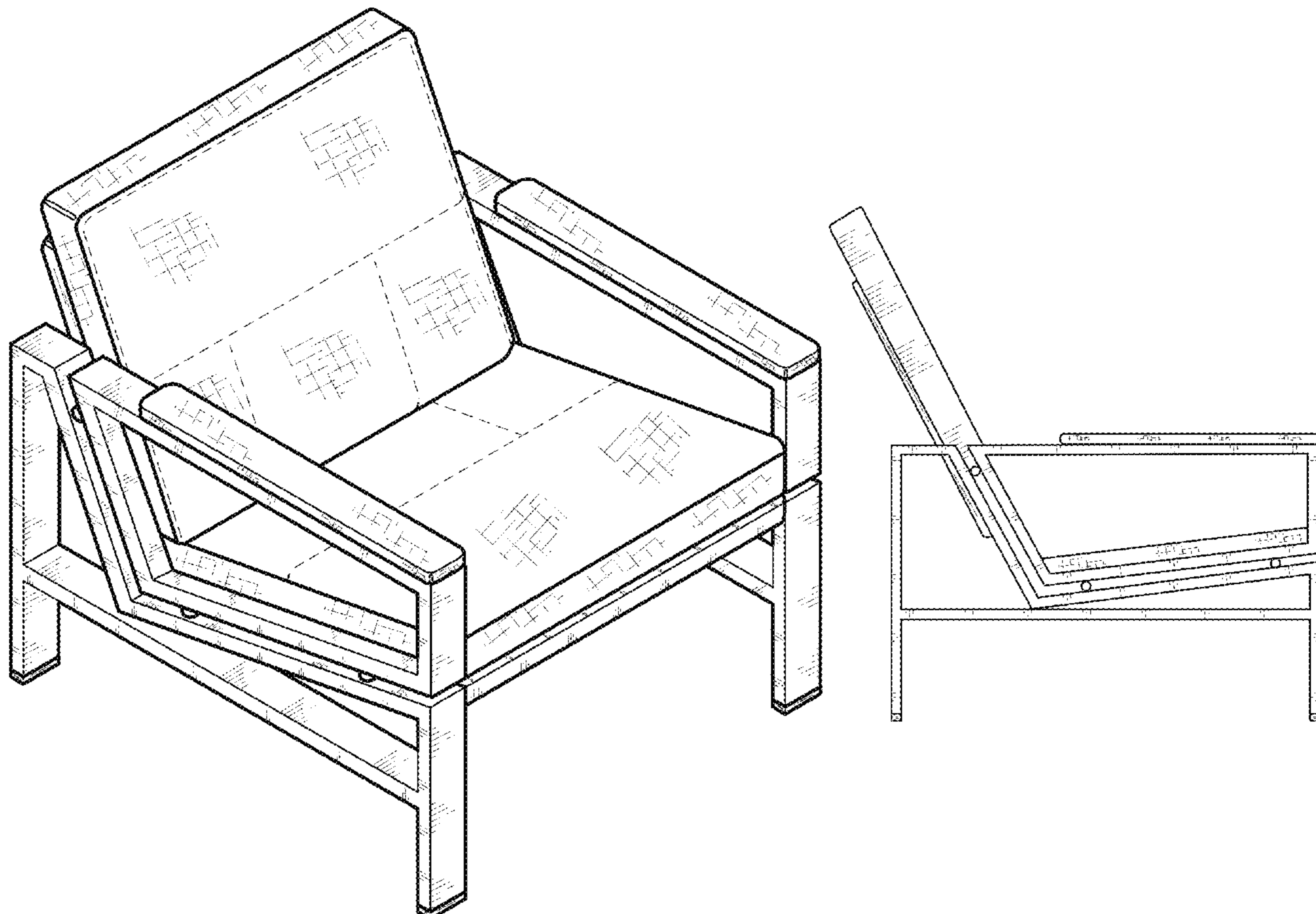
FIG. 5 is a right view thereof;

FIG. 6 is a top view thereof; and,

FIG. 7 is a bottom view thereof.

The broken lines represent stitching.

1 Claim, 4 Drawing Sheets



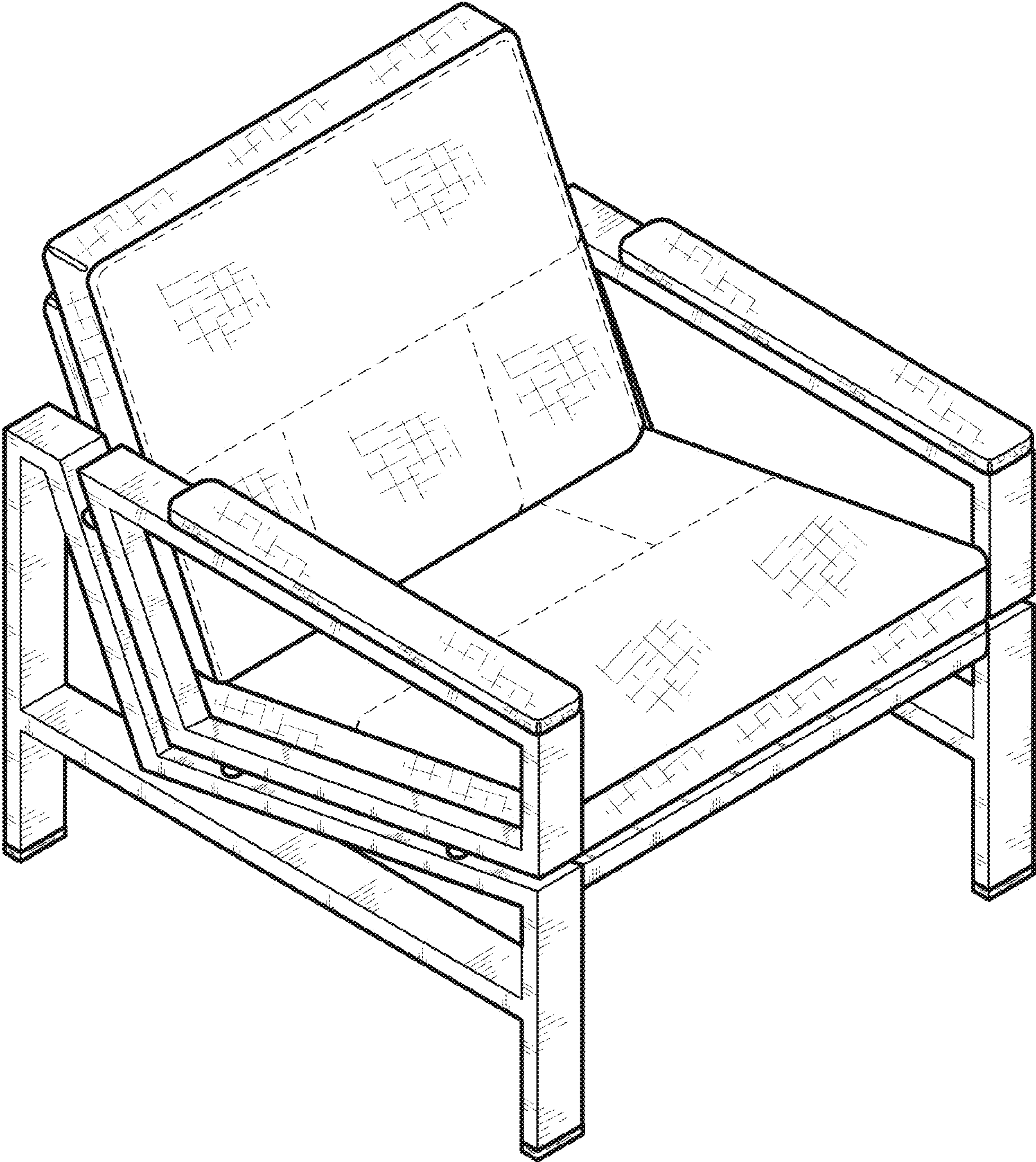


FIG. 1

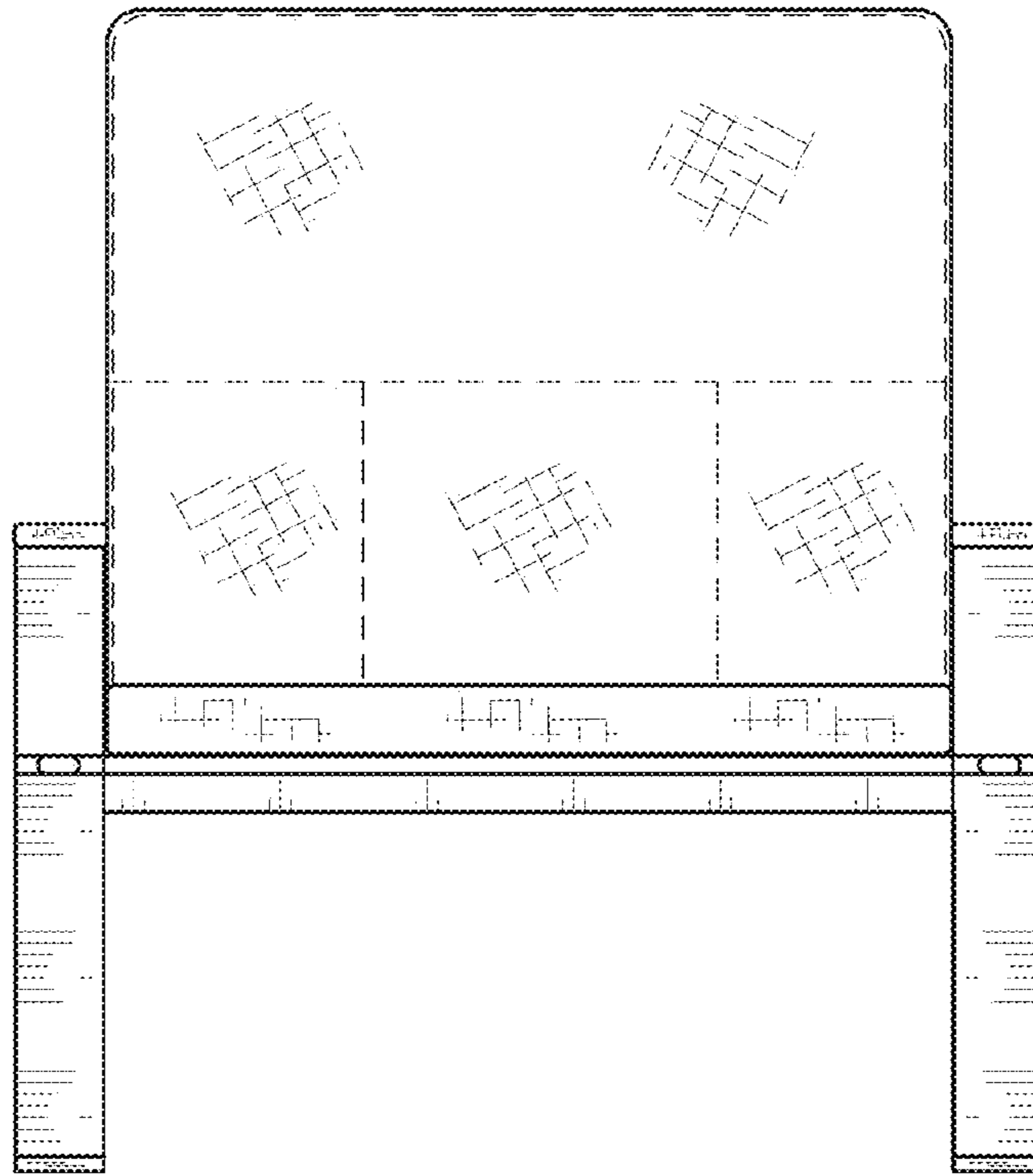


FIG. 2

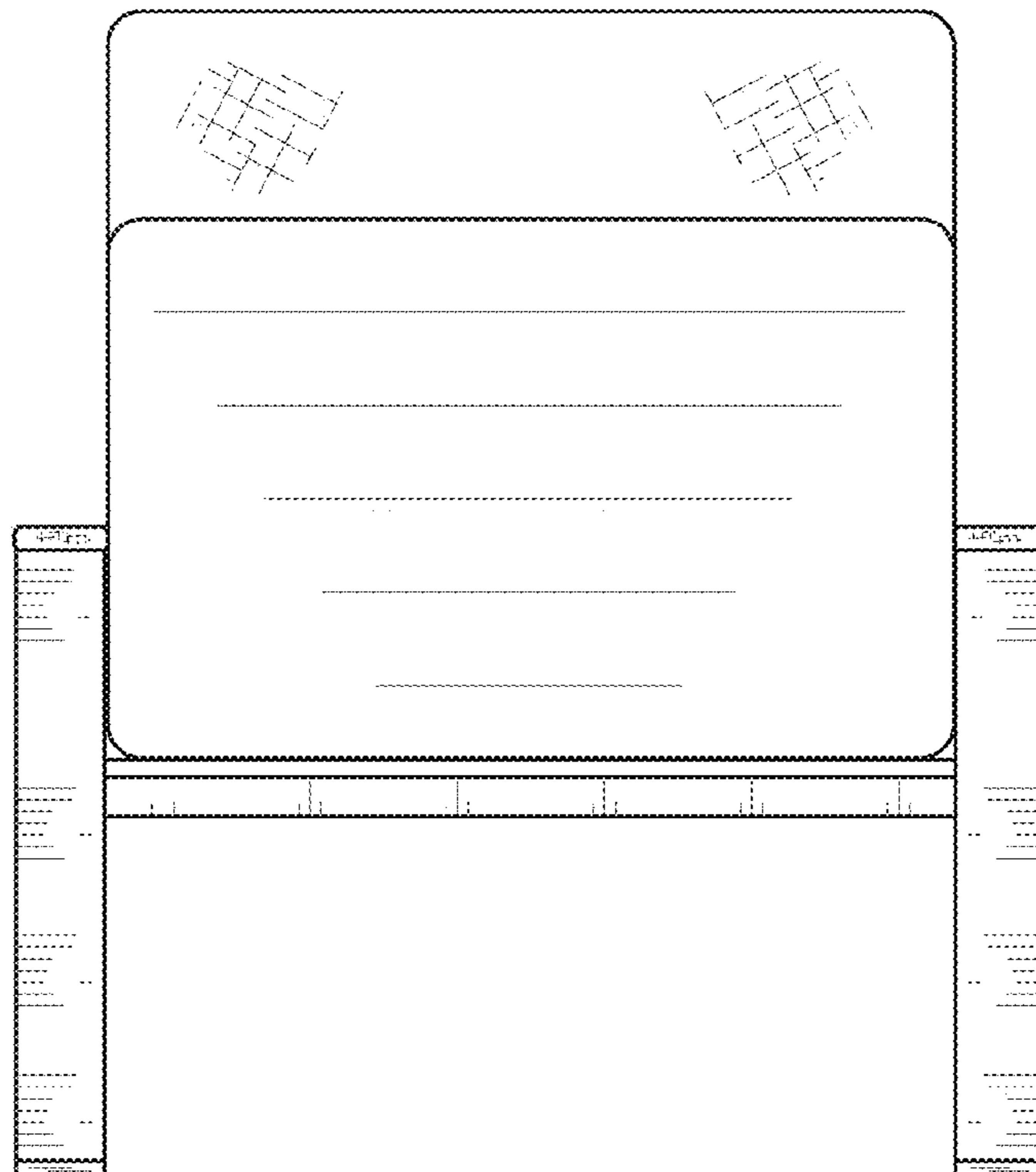


FIG. 3

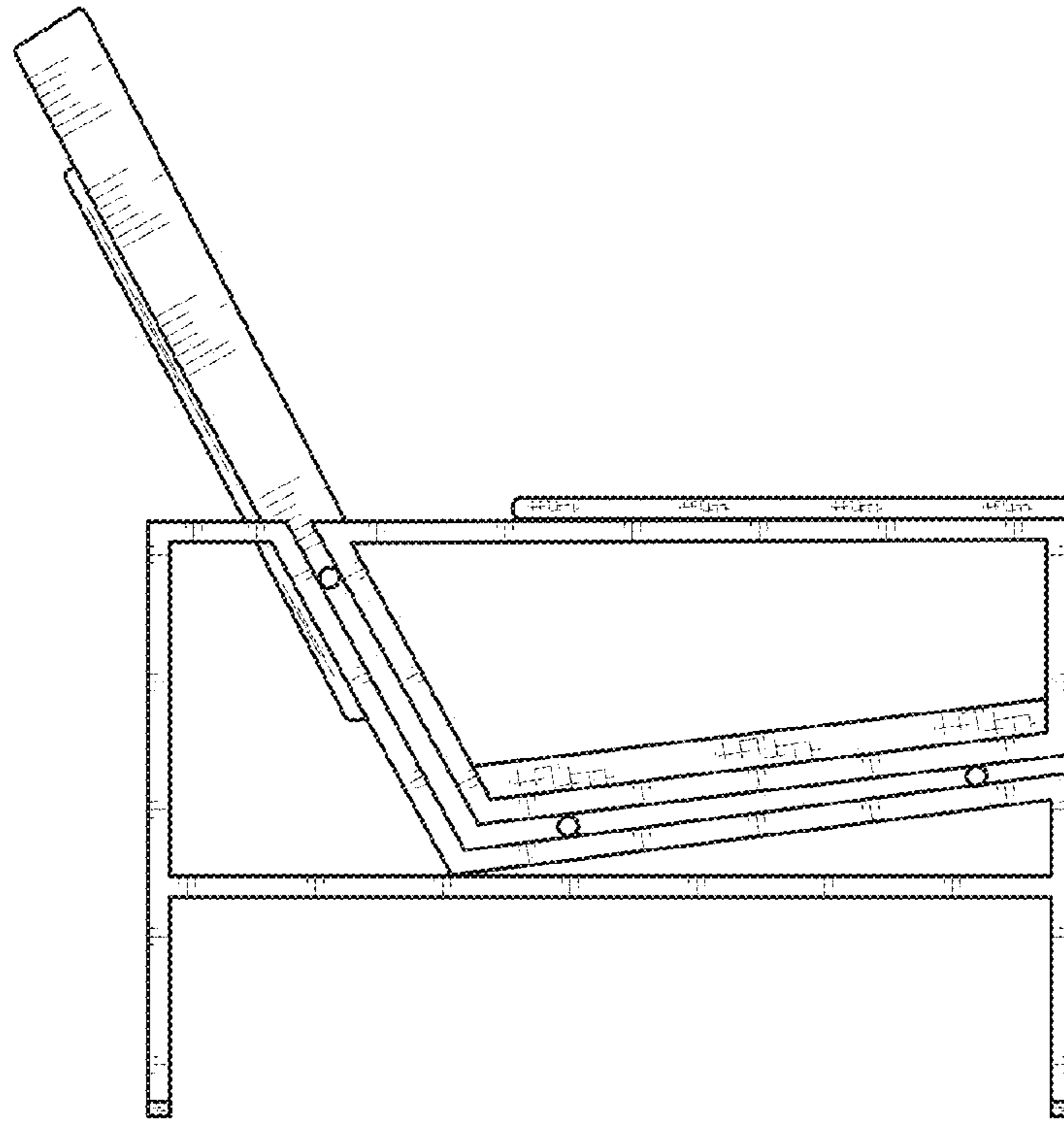


FIG. 4

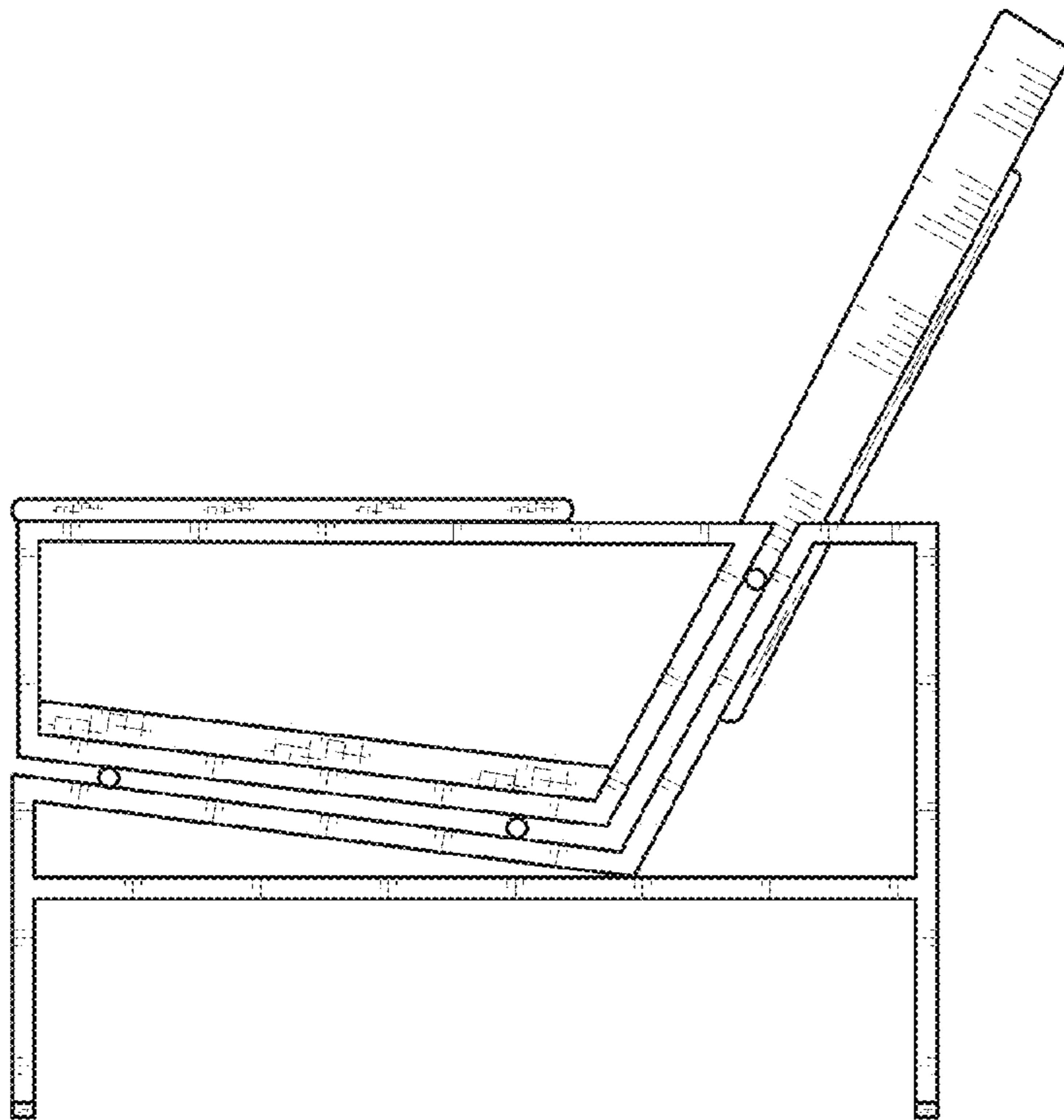


FIG. 5

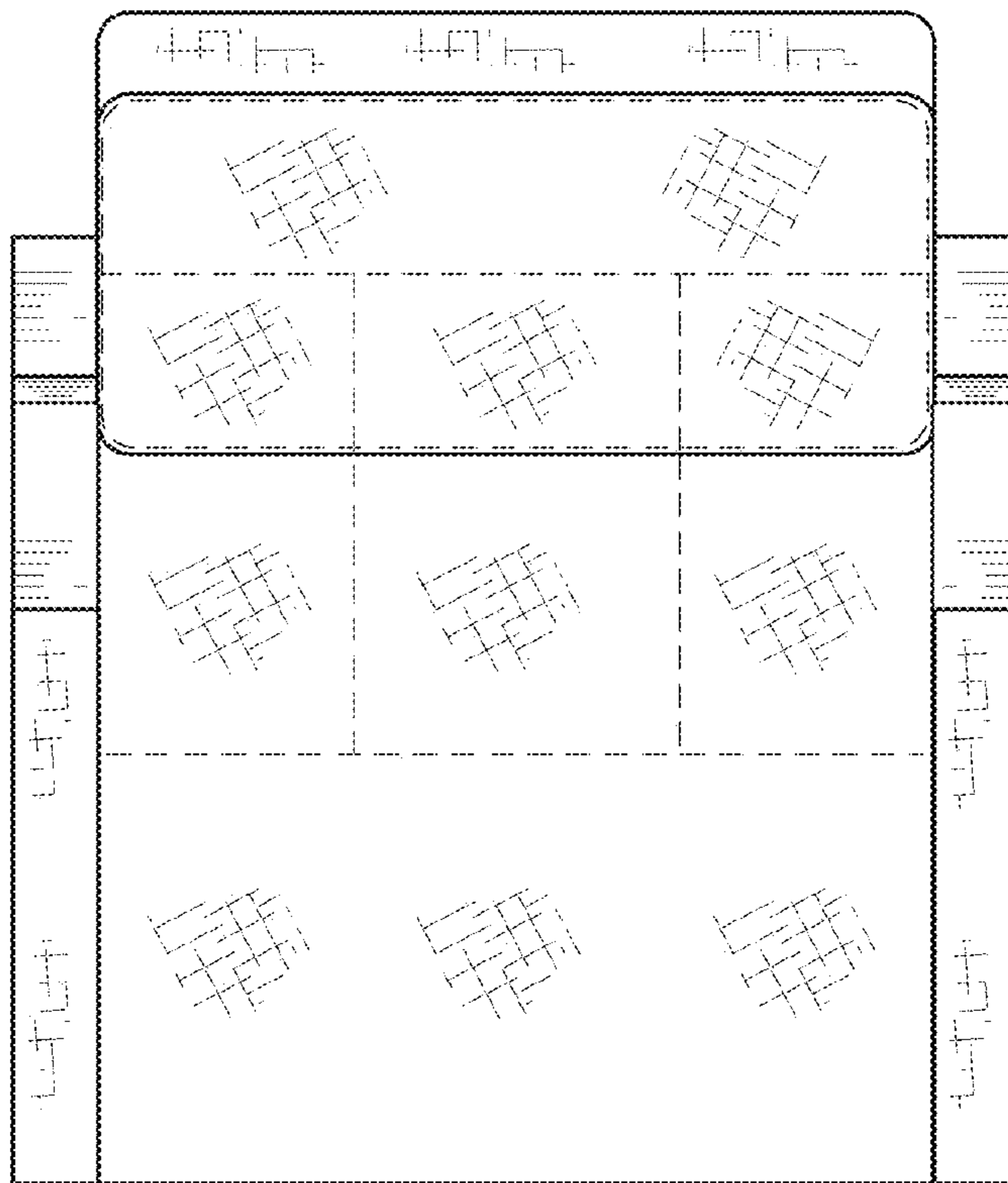


FIG. 6

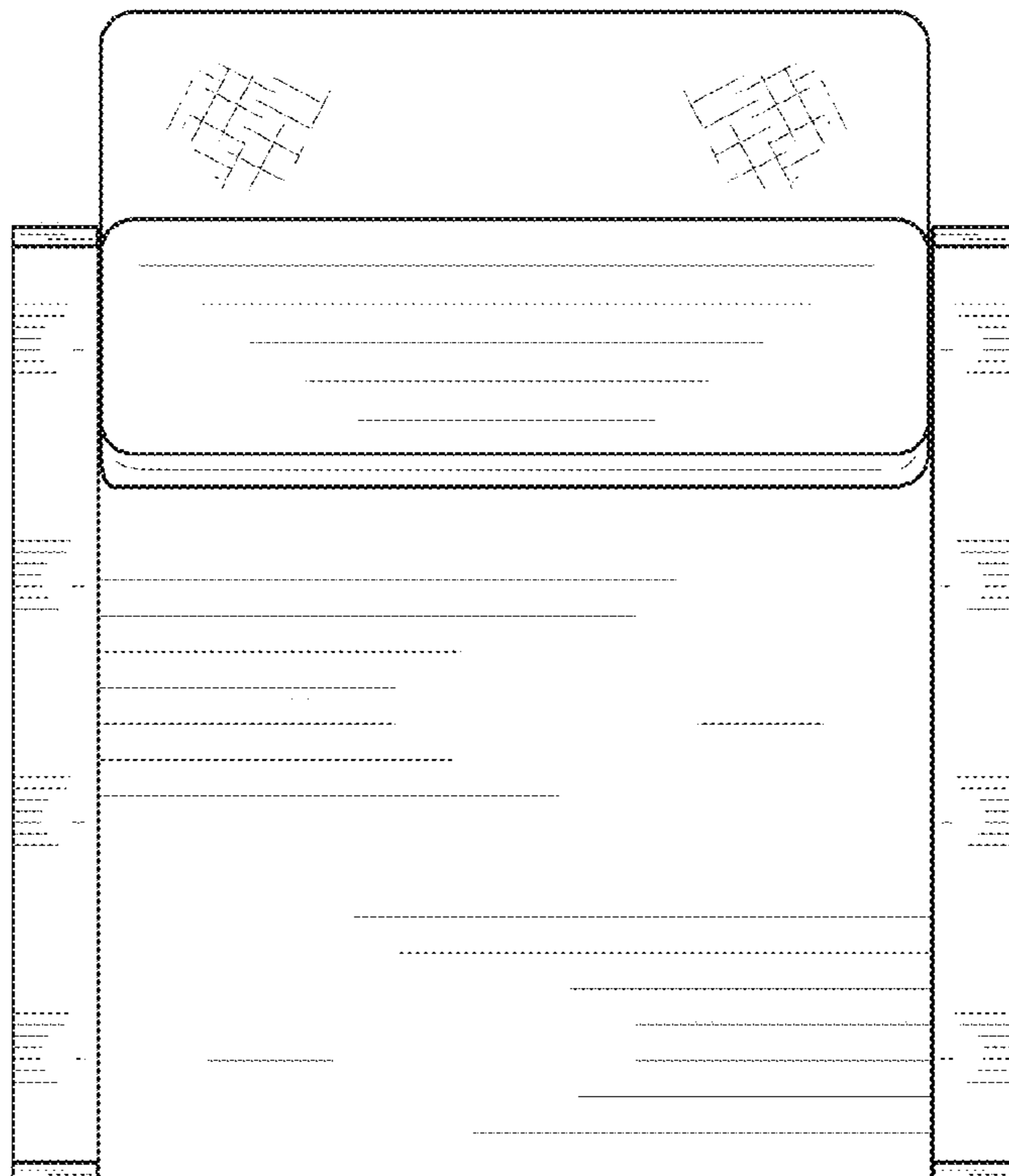


FIG. 7