



US00D909084S

(12) **United States Design Patent**
Dai

(10) **Patent No.:** **US D909,084 S**

(45) **Date of Patent:** **** Feb. 2, 2021**

(54) **CHAIR**

(71) Applicant: **Henglin Home Furnishings Co., Ltd.,**
Zhejiang (CN)

(72) Inventor: **WenBin Dai,** Zhejiang (CN)

(73) Assignee: **Henglin Home Furnishings Co., Ltd.,**
Zhejiang (CN)

(**) Term: **15 Years**

(21) Appl. No.: **29/710,492**

(22) Filed: **Oct. 23, 2019**

(30) **Foreign Application Priority Data**

Oct. 22, 2019 (CN) 2019 3 0575551

(51) **LOC (13) Cl.** **06-01**

(52) **U.S. Cl.**
USPC **D6/366**

(58) **Field of Classification Search**
USPC D6/334, 364, 365, 366, 369, 375, 379,
D6/716.1, 716.7

CPC A47C 3/12; A47C 3/18; A47C 3/20; A47C
5/02; A47C 7/24; A47C 7/36; A47C 7/46
See application file for complete search history.

(56) **References Cited**

U.S. PATENT DOCUMENTS

D493,626 S * 8/2004 James D6/366
D514,831 S * 2/2006 Tsai D6/366

D582,170 S * 12/2008 Chi D6/366
D646,092 S * 10/2011 Romero D6/716
D661,136 S * 6/2012 Su D6/716.4
D751,836 S * 3/2016 Izawa D6/366
D763,587 S * 8/2016 Neil D6/366
D766,605 S * 9/2016 Li D6/366
D801,719 S * 11/2017 Meda D6/366
D802,953 S * 11/2017 Meda D6/366
D880,182 S * 4/2020 Wang D6/366
D884,376 S * 5/2020 Pensi D6/366
2002/0036420 A1 * 3/2002 Footitt A47C 7/46
297/284.4

* cited by examiner

Primary Examiner — R. Johnson

(74) *Attorney, Agent, or Firm* — JCIP Global Inc.

(57) **CLAIM**

The ornamental design for a chair, as shown and described.

DESCRIPTION

FIG. 1 is a perspective view of a chair showing my new design;

FIG. 2 is a front view thereof;

FIG. 3 is a rear view thereof;

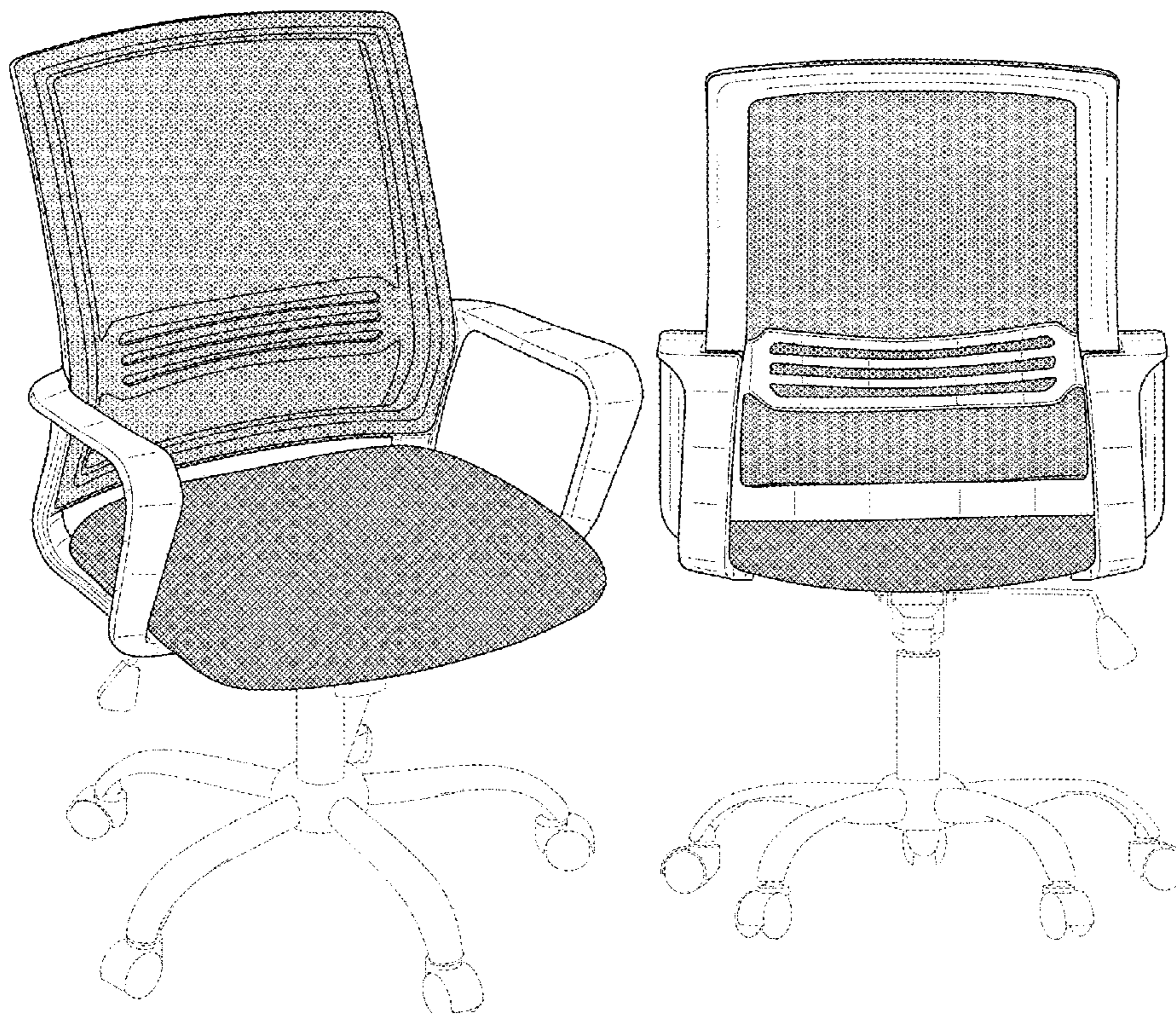
FIG. 4 is a left side view thereof;

FIG. 5 is a right side view thereof; and,

FIG. 6 is a top view thereof.

A bottom view thereof is omitted since it does not contain ornamental features. The broken line portions of the chair in in FIGS. 1-6 represent unclaimed portions of the claimed design and form no part thereof.

1 Claim, 6 Drawing Sheets



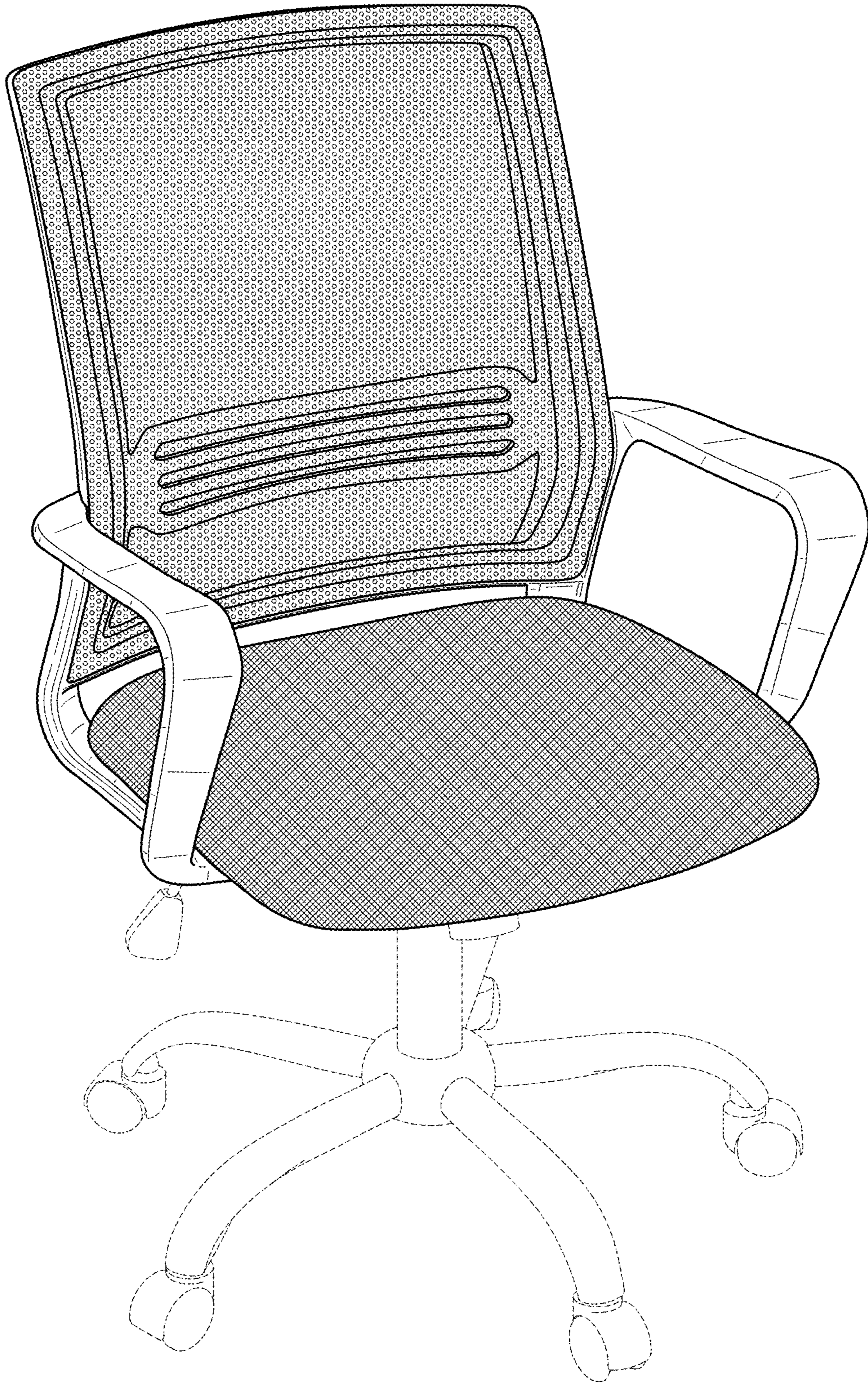


FIG. 1

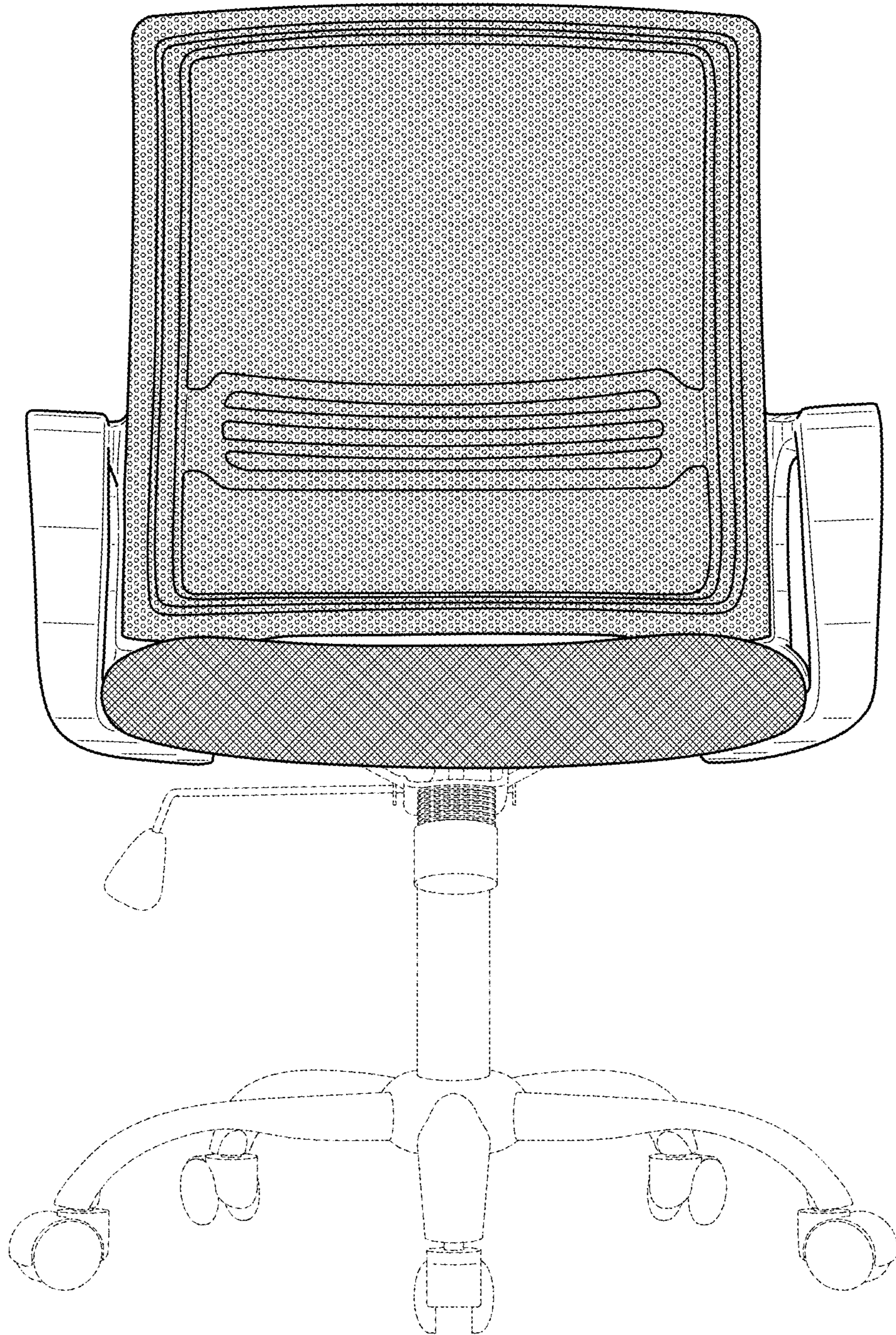


FIG. 2

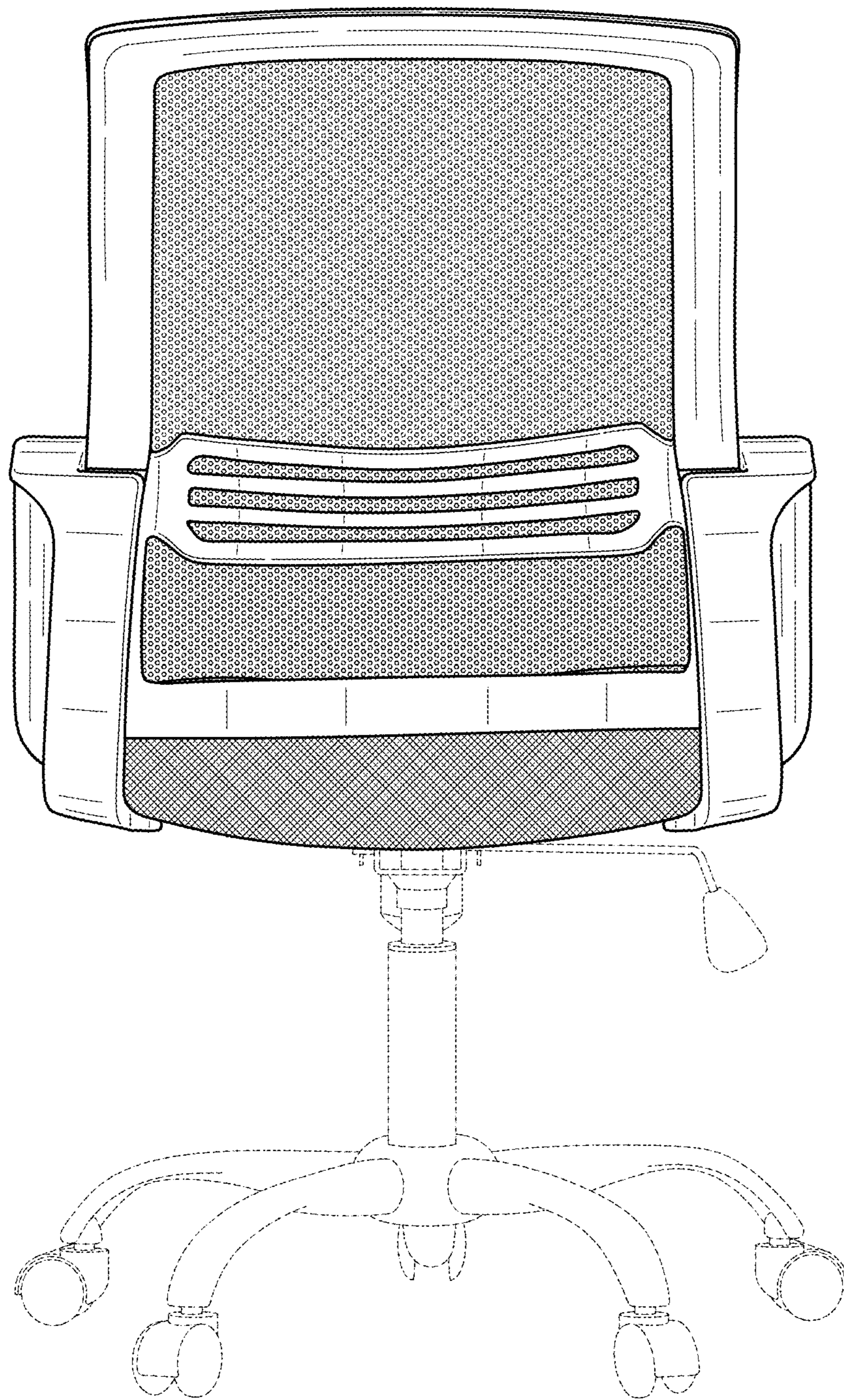


FIG. 3

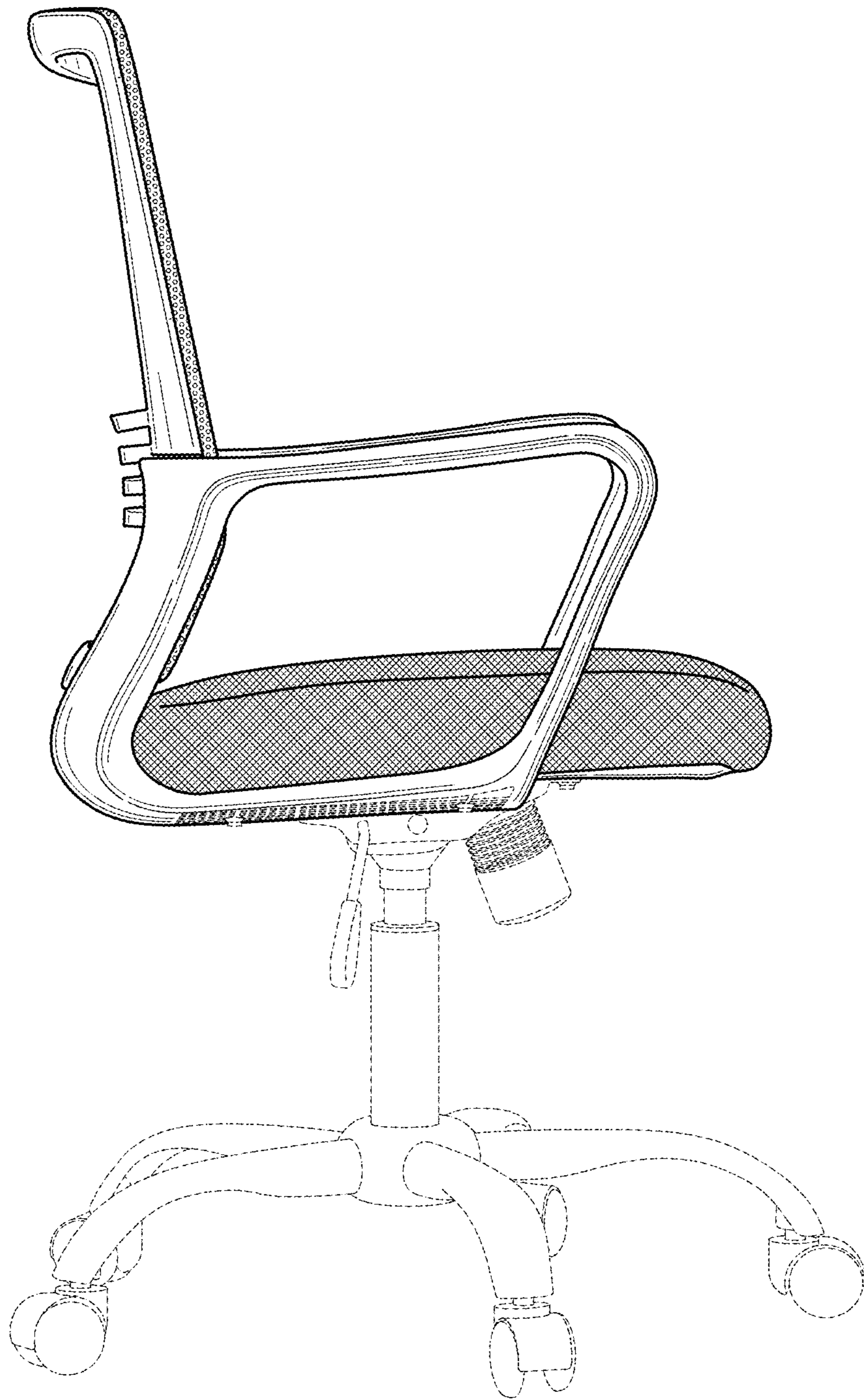


FIG. 4

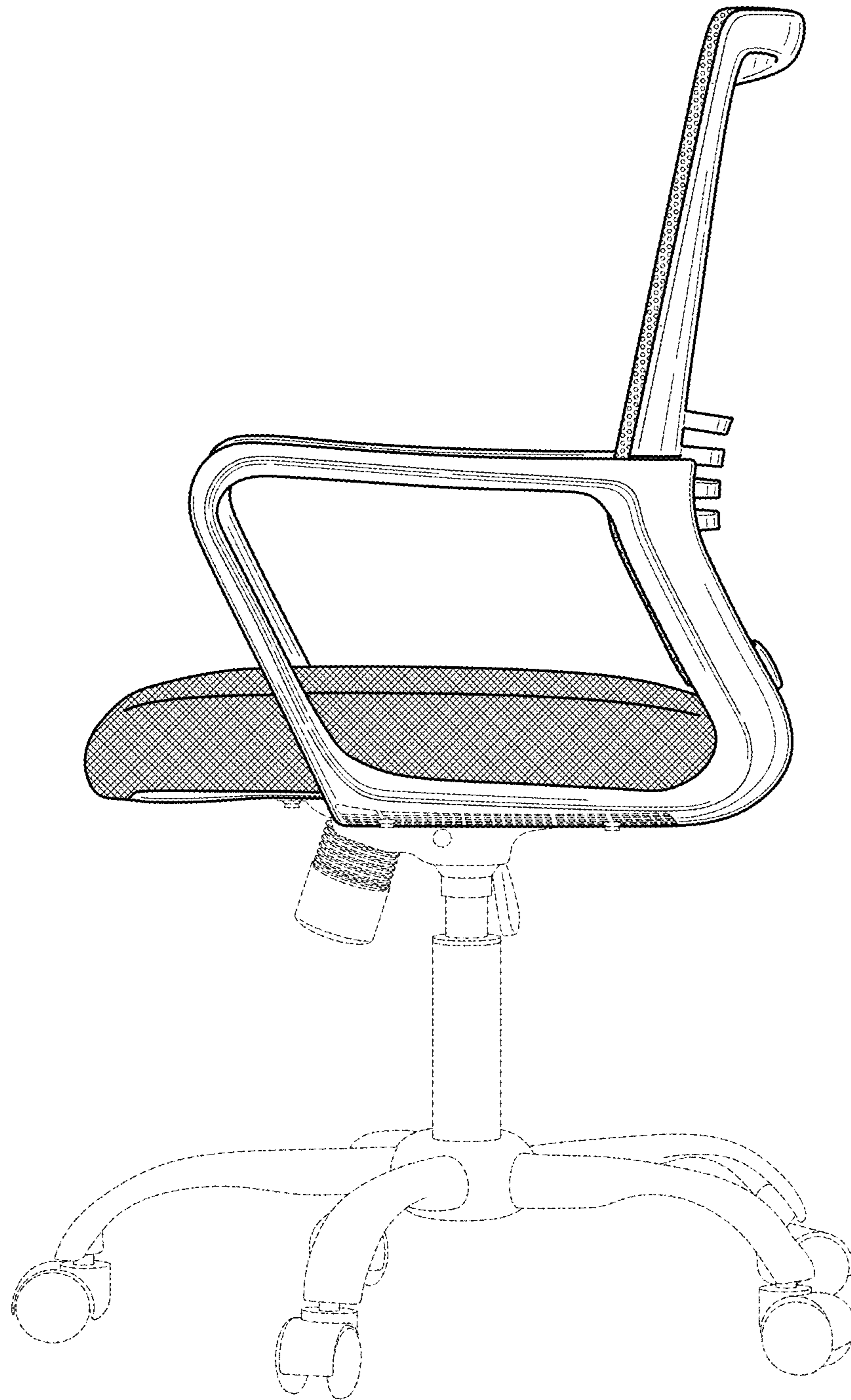


FIG. 5

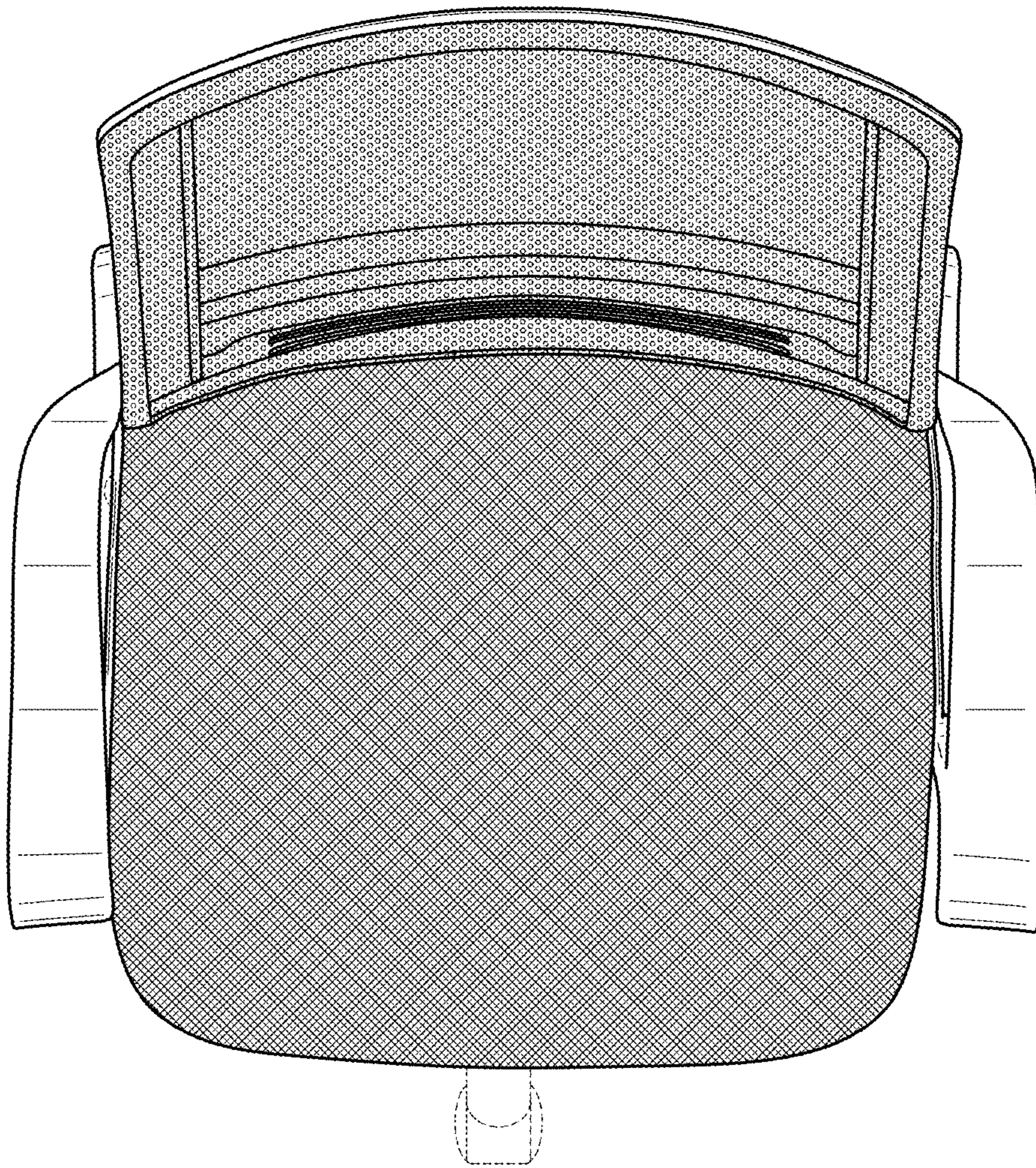


FIG. 6