



US00D909082S

(12) **United States Design Patent**
Palmquist, Sr.

(10) **Patent No.:** **US D909,082 S**

(45) **Date of Patent:** **** Feb. 2, 2021**

- (54) **CHAIR**
- (71) Applicant: **Brett Edward Palmquist, Sr.**, Santa Ana, CA (US)
- (72) Inventor: **Brett Edward Palmquist, Sr.**, Santa Ana, CA (US)
- (73) Assignee: **Brett Palmquist**, Westminster, CA (US)
- (**) Term: **15 Years**
- (21) Appl. No.: **29/700,548**
- (22) Filed: **Aug. 2, 2019**
- (51) **LOC (13) Cl.** **06-01**
- (52) **U.S. Cl.**
USPC **D6/364**
- (58) **Field of Classification Search**
USPC D6/334, 349, 350, 360, 362, 364, 367,
D6/368, 374, 375, 379, 380, 716.2, 716.7
CPC A47C 3/00; A47C 3/20; A47C 7/50; A47C
7/54; A47C 4/28; A47C 9/007; A47C
16/02; A47C 1/00; A47C 1/02; A47C
1/03; A47C 1/024; A47C 1/037
See application file for complete search history.

4,295,680 A	10/1981	Grasso	
4,379,587 A	4/1983	Duncan	
D276,105 S *	10/1984	Meltzer	D6/364
4,500,137 A	2/1985	Morehouse	
D279,430 S	7/1985	McLeroy	
D289,467 S	4/1987	Pickett	
D296,734 S	7/1988	Valdez	
D320,702 S *	10/1991	Dewing	D6/349
D323,267 S	1/1992	Bidwell	
D346,070 S	4/1994	Kither	
D365,694 S	1/1996	Liisberg	
D378,562 S	3/1997	Miller et al.	
D388,509 S	12/1997	Hsiao	
D393,778 S	4/1998	Ochs, Sr.	
D410,355 S	6/1999	Quinn	
D410,798 S *	6/1999	Geier	D6/360
D427,020 S	6/2000	Hansen	
D455,278 S	4/2002	Clements et al.	

(Continued)

Primary Examiner — R. Johnson

(74) *Attorney, Agent, or Firm* — Brett Palmquist; Chau Palmquist

(57) **CLAIM**

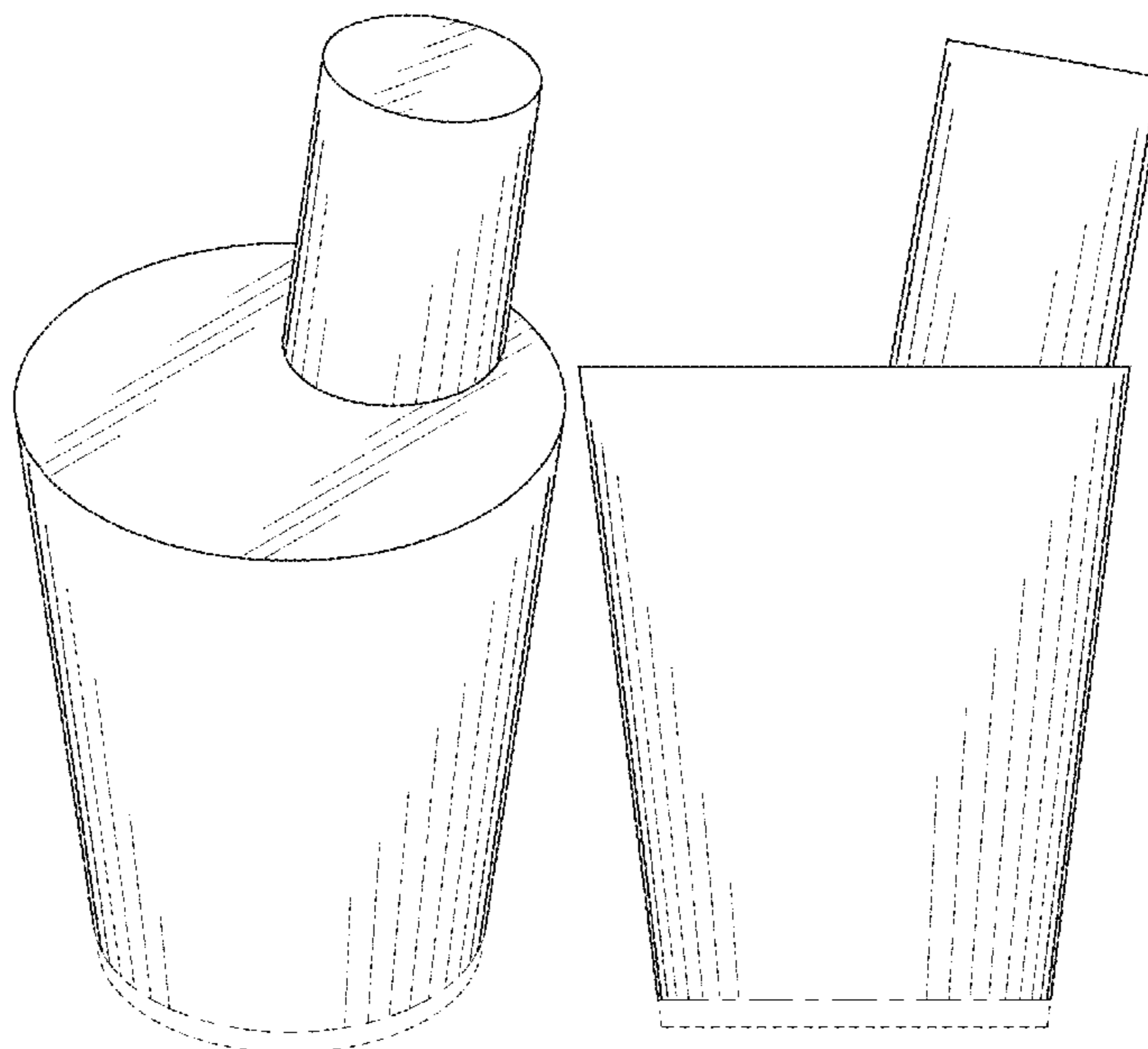
The ornamental design for a chair, as shown and described.

DESCRIPTION

FIG. 1 is a perspective view of a chair showing my new design;
 FIG. 2 is a front elevation view thereof;
 FIG. 3 is a rear elevation view thereof;
 FIG. 4 is a left side elevation view thereof, the right side elevation view being a mirror image thereof;
 FIG. 5 is a top plan view thereof; and,
 FIG. 6 is a bottom plan view thereof.
 The dot-dashed broken lines in the drawings illustrate a boundary that forms no part of the claimed design. The evenly spaced broken lines illustrate the portions of the chair that form no part of the claim.

1 Claim, 4 Drawing Sheets

- (56) **References Cited**
U.S. PATENT DOCUMENTS
- D82,161 S * 9/1930 Kolker D6/364
- D169,128 S 3/1953 Corder
- D196,043 S * 8/1963 Wehner D6/350
- 3,349,950 A 10/1967 Wanderer et al.
- D220,481 S 4/1971 Aarnio
- 3,724,745 A * 4/1973 Brown B65F 1/02
232/43.2
- D234,489 S 3/1975 Shaw
- D245,953 S 10/1977 Mathur
- 4,208,072 A * 6/1980 Iskendarian A47C 3/04
108/150



(56)

References Cited

U.S. PATENT DOCUMENTS

D473,428	S	4/2003	Mak	
D524,083	S	7/2006	Danze	
D531,827	S	11/2006	Jelmoni et al.	
D579,221	S	10/2008	De Young	
D579,675	S *	11/2008	Paterson	D6/349
D616,211	S *	5/2010	Tin	D6/349
D639,612	S	6/2011	Huang et al.	
D657,578	S *	4/2012	Szekely	D6/349
D669,698	S	10/2012	Chessell	
D674,203	S	1/2013	Rosa	
D674,204	S	1/2013	Rosa	
D702,956	S *	4/2014	Holscher	D6/375
D713,157	S	9/2014	Carrier et al.	
D747,129	S *	1/2016	Yasuda	D6/716
D764,197	S *	8/2016	Yoshida	D6/352
D871,088	S *	12/2019	Nava	D6/334

* cited by examiner

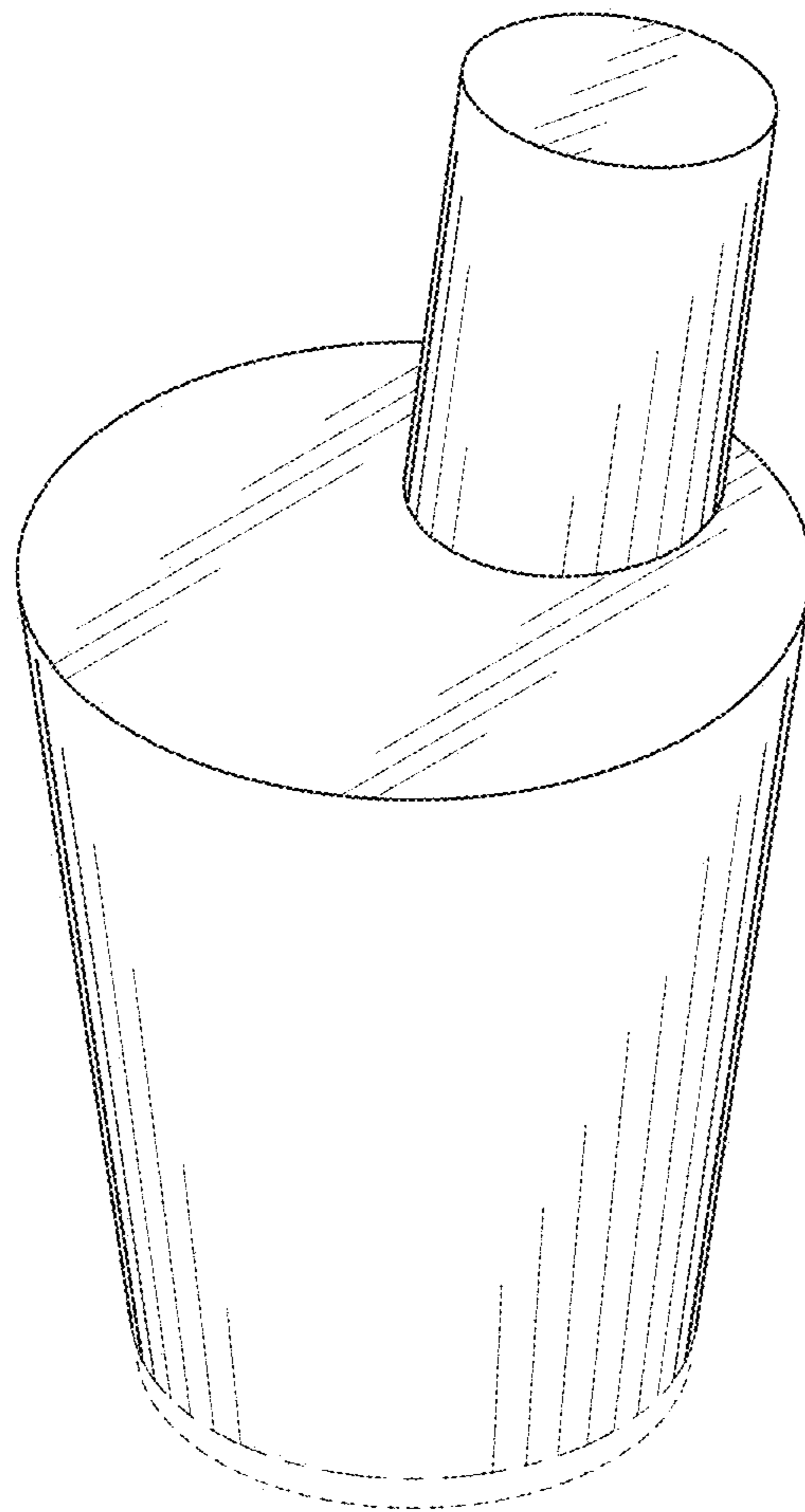


FIG. 1

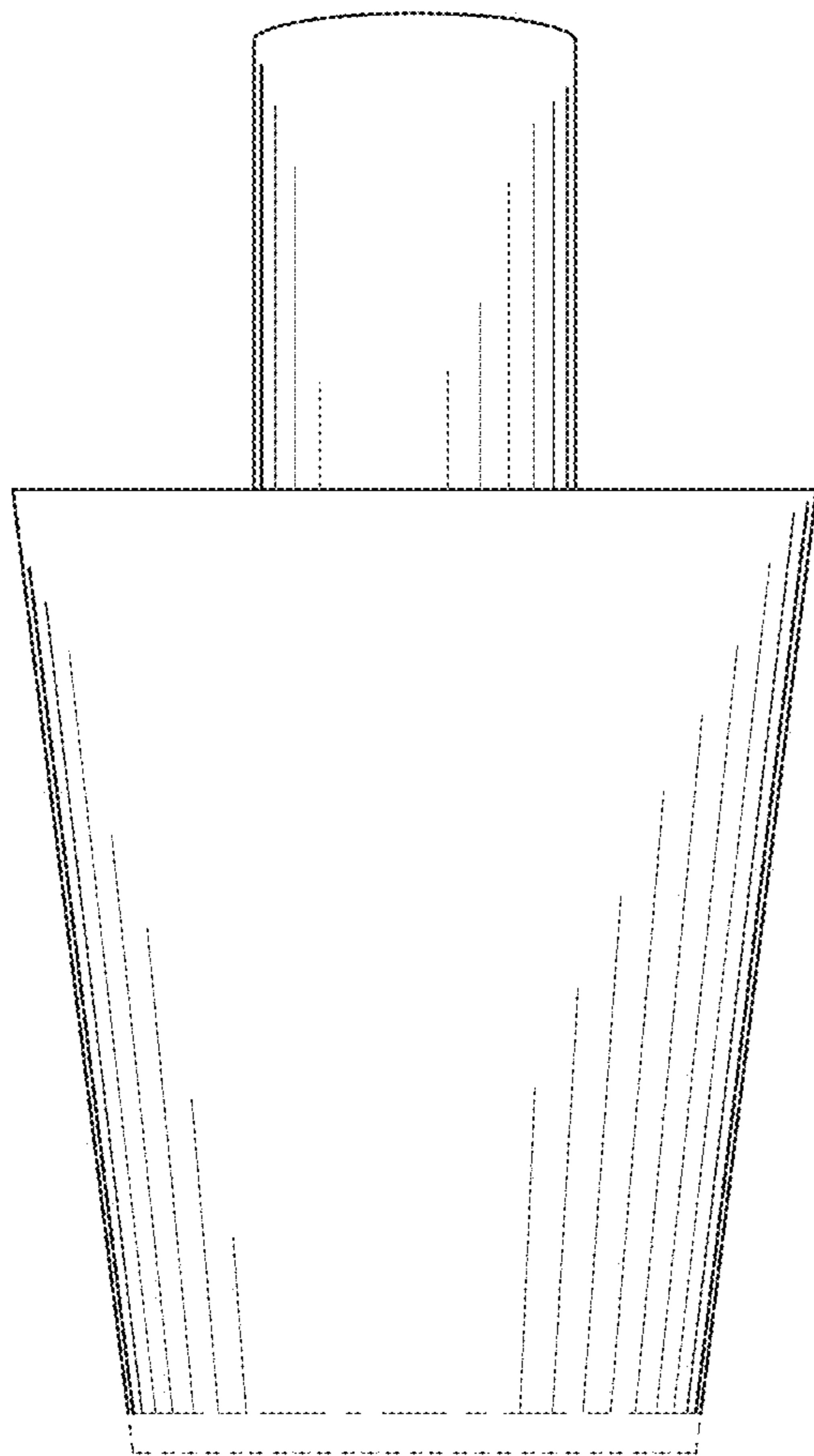


FIG. 2

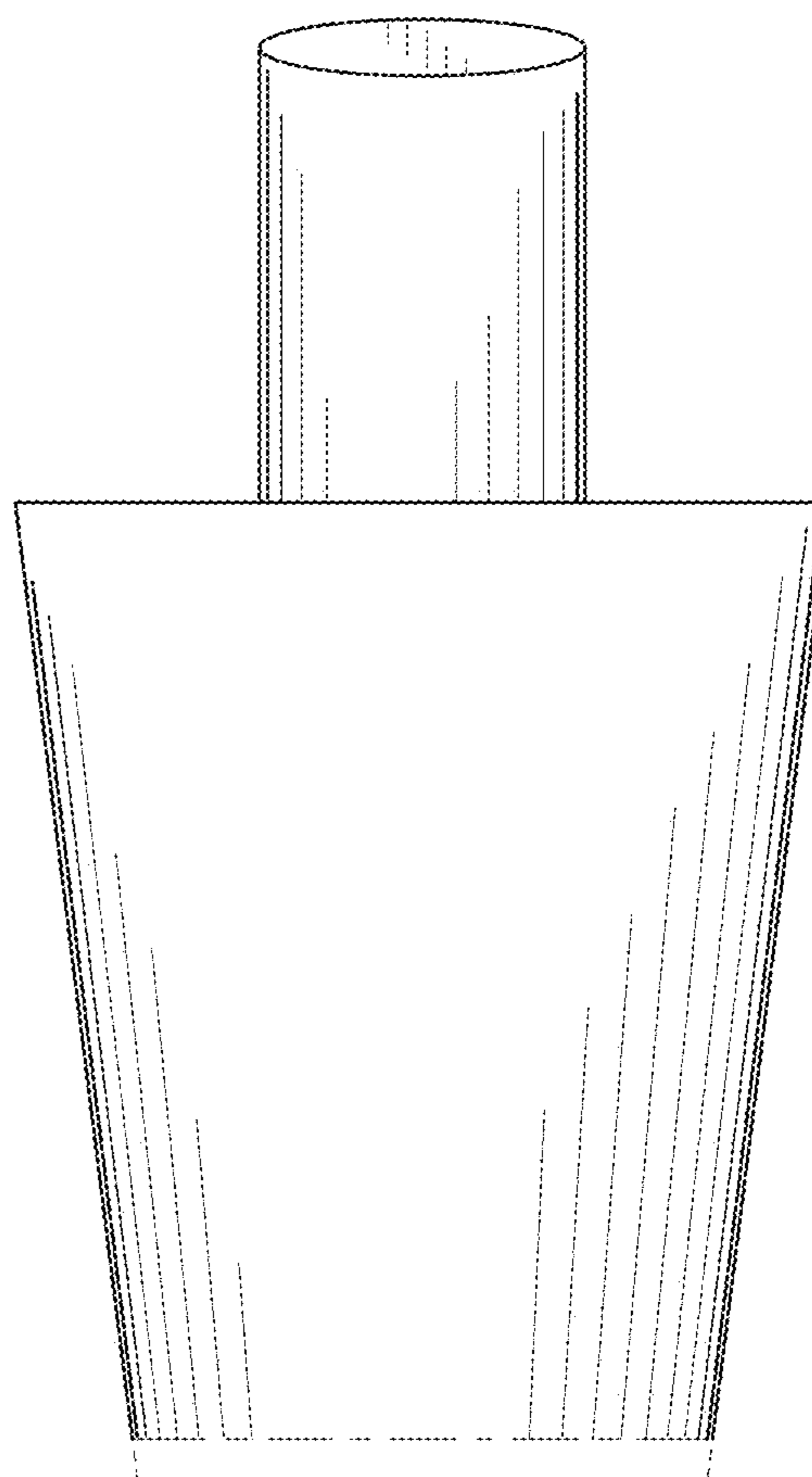


FIG. 3

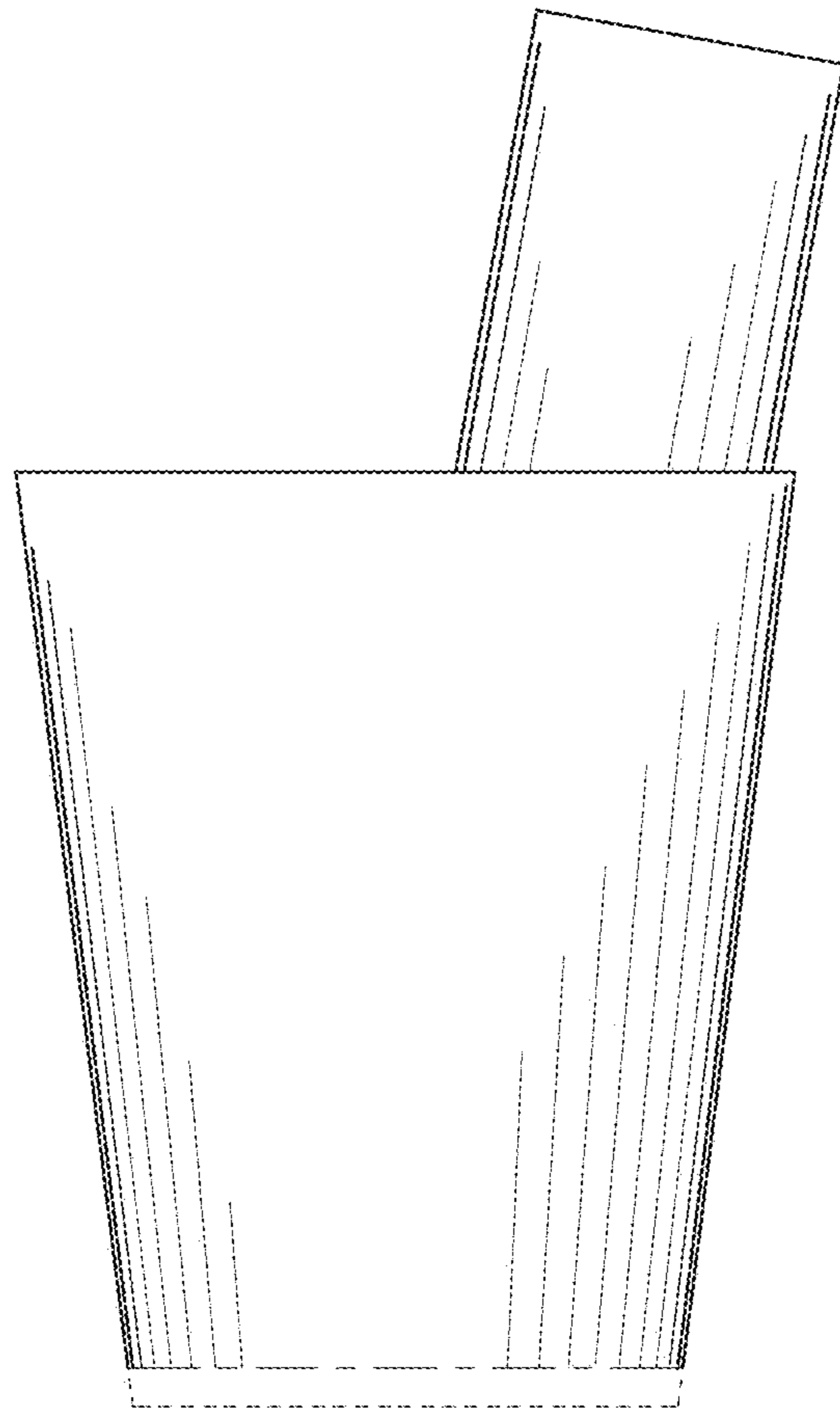


FIG. 4

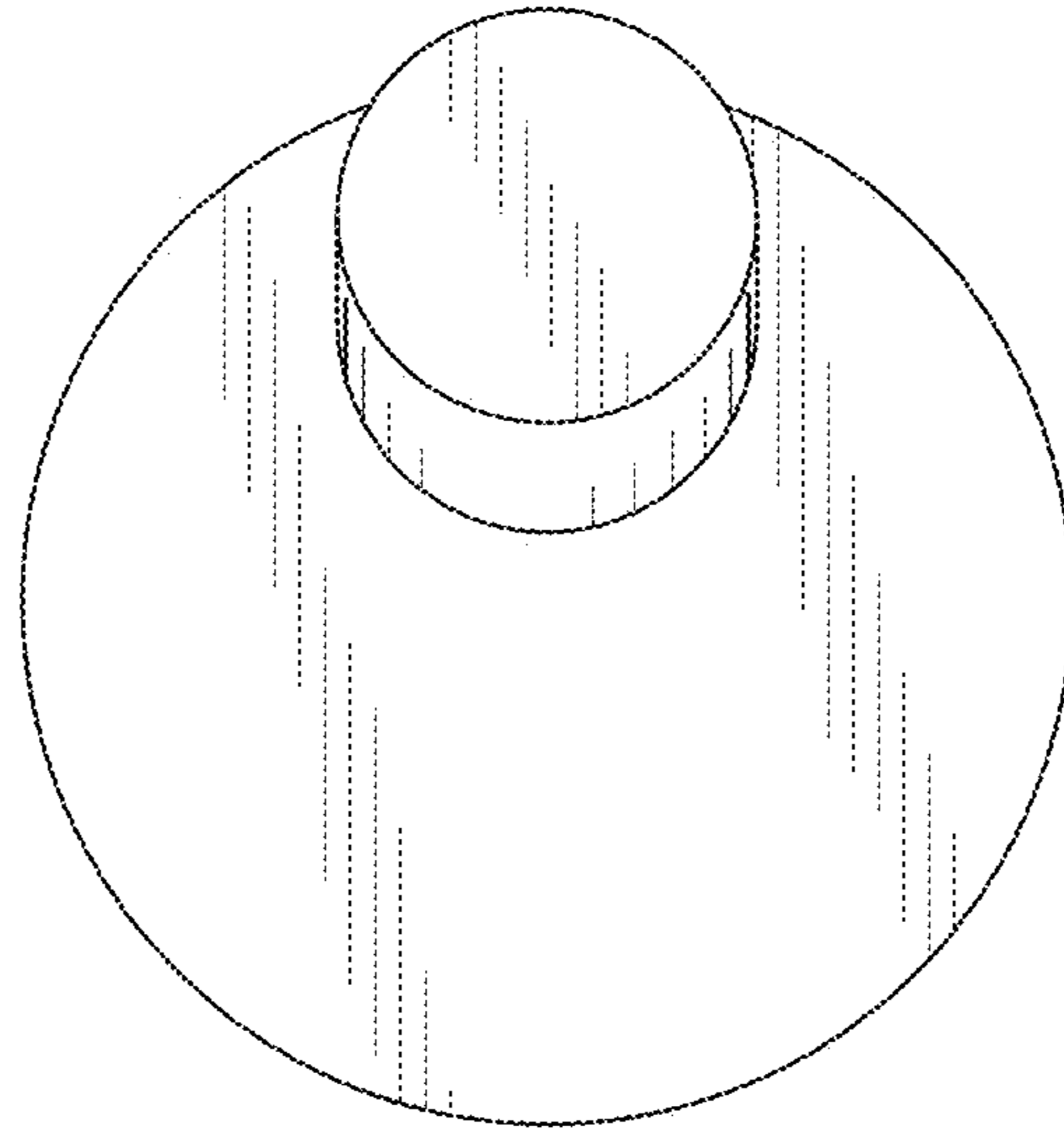


FIG. 5

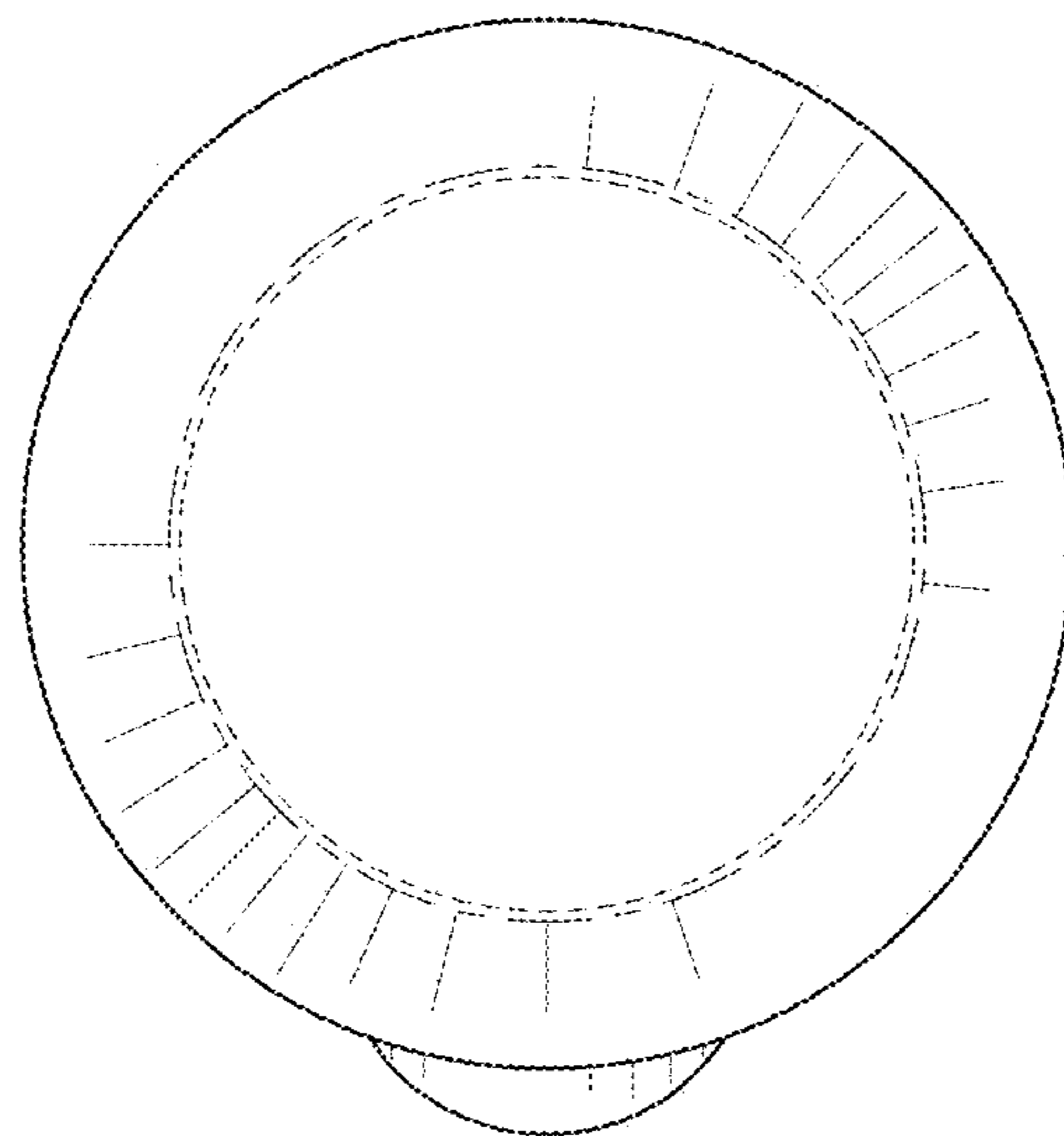


FIG. 6