



US00D909078S

(12) **United States Design Patent**
Wang

(10) **Patent No.:** **US D909,078 S**

(45) **Date of Patent:** **** Feb. 2, 2021**

- (54) **PHOTO FRAME**
- (71) Applicant: **Bingyan Wang**, Guangdong (CN)
- (72) Inventor: **Bingyan Wang**, Guangdong (CN)
- (73) Assignee: **Shenzhen New Fruit Technology Co., Ltd.**, Shenzhen (CN)

D532,980 S *	12/2006	Hutton	D6/300
D542,543 S *	5/2007	Bruce	D6/300
D552,357 S	10/2007	Fu	
D559,553 S *	1/2008	Mischel, Jr.	D6/300
D628,451 S *	12/2010	Nodolf	D7/701
D719,744 S *	12/2014	Plumbo	D6/300
D884,367 S	5/2020	Gao	
2008/0291345 A1 *	11/2008	Schneider	H01Q 1/241 348/836

(**) Term: **15 Years**

* cited by examiner

(21) Appl. No.: **29/738,711**

Primary Examiner — Deanna L Pratt

(22) Filed: **Jun. 19, 2020**

(51) **LOC (13) Cl.** **06-07**

(52) **U.S. Cl.**
USPC **D6/300**

(58) **Field of Classification Search**
USPC D6/300-314; D25/136
See application file for complete search history.

(57) **CLAIM**

The ornamental design for a photo frame, as shown and described.

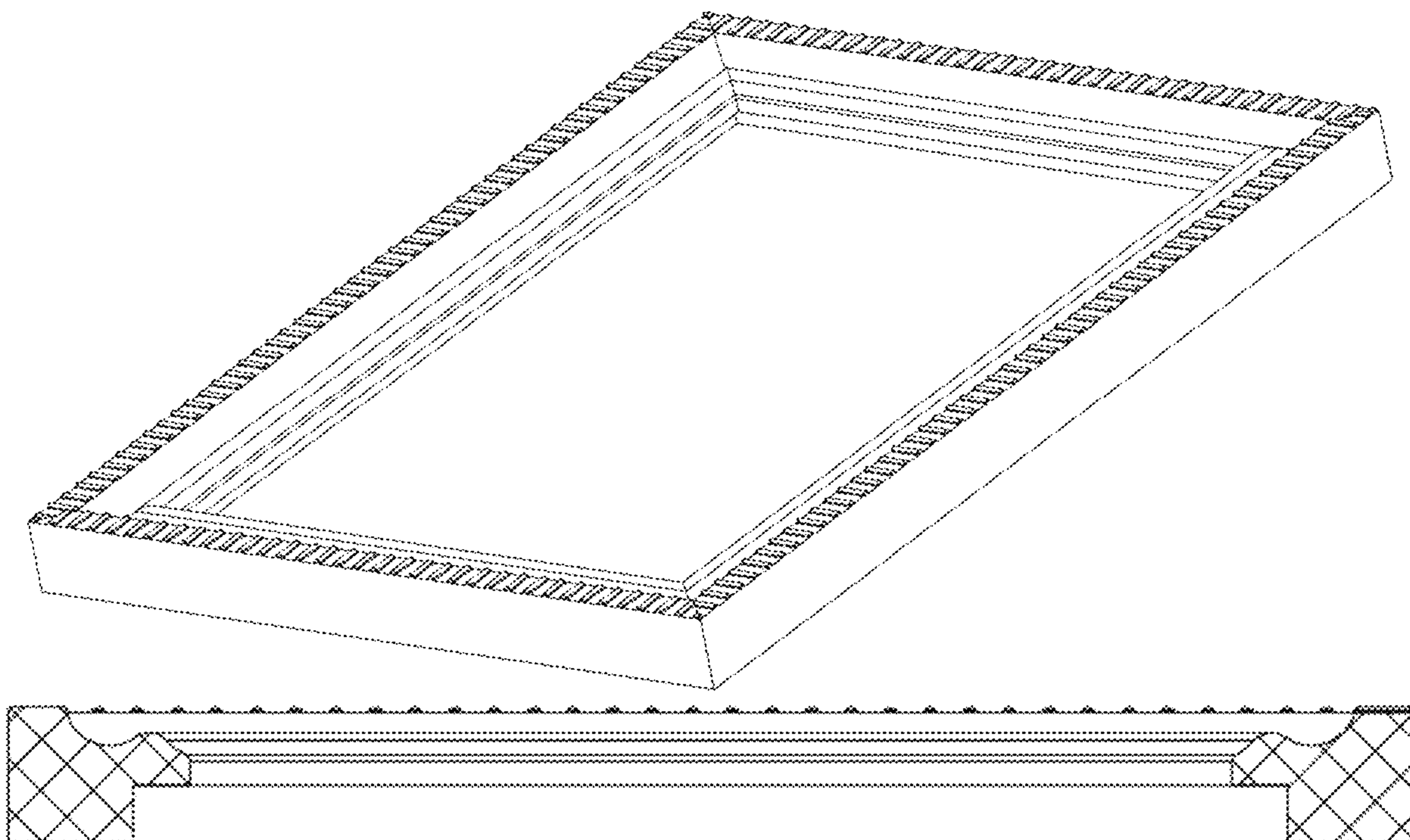
DESCRIPTION

FIG. 1 is a perspective view of a photo frame showing my new design;
 FIG. 2 is a front elevational view thereof;
 FIG. 3 is a rear elevational view thereof;
 FIG. 4 is a left side elevational view thereof;
 FIG. 5 is a right side elevational view thereof;
 FIG. 6 is a top plan view thereof;
 FIG. 7 is a bottom plan view thereof;
 FIG. 8 is a sectional view taken along line A-A in FIG. 2;
 and,
 FIG. 9 is a sectional view taken along line B-B in FIG. 2.

(56) **References Cited**
 U.S. PATENT DOCUMENTS

D136,932 S *	12/1943	Martin	D6/300
D172,278 S *	5/1954	Helms	D6/300
2,735,205 A *	2/1956	Knox	A47G 1/08 40/732
D458,036 S *	6/2002	Vaaler	D6/300
D488,624 S *	4/2004	Wanek	D6/300
D517,329 S	3/2006	Ortiz	
D527,192 S	8/2006	Schaefer et al.	
D529,300 S	10/2006	Schwind	

1 Claim, 5 Drawing Sheets



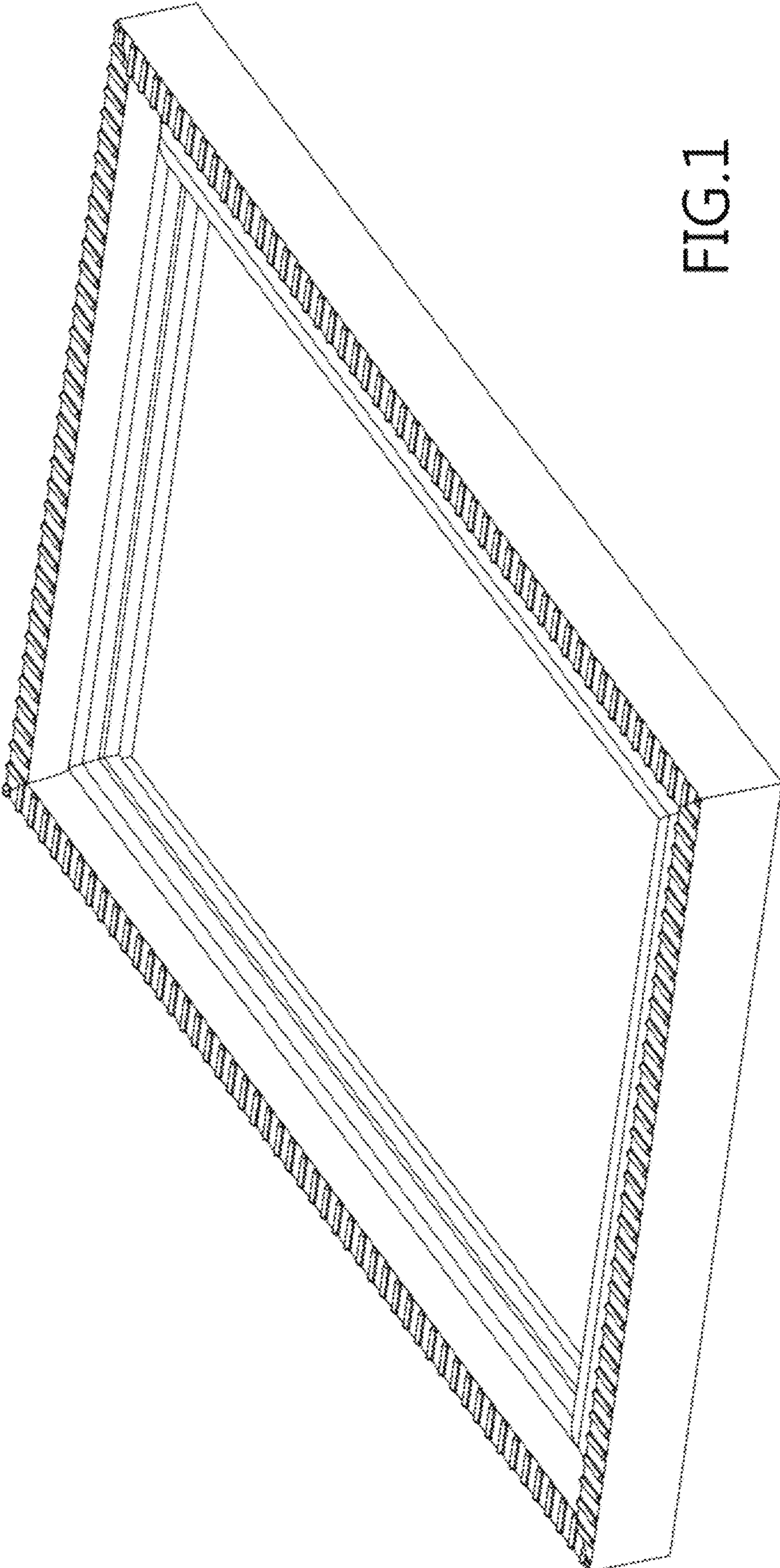


FIG.1

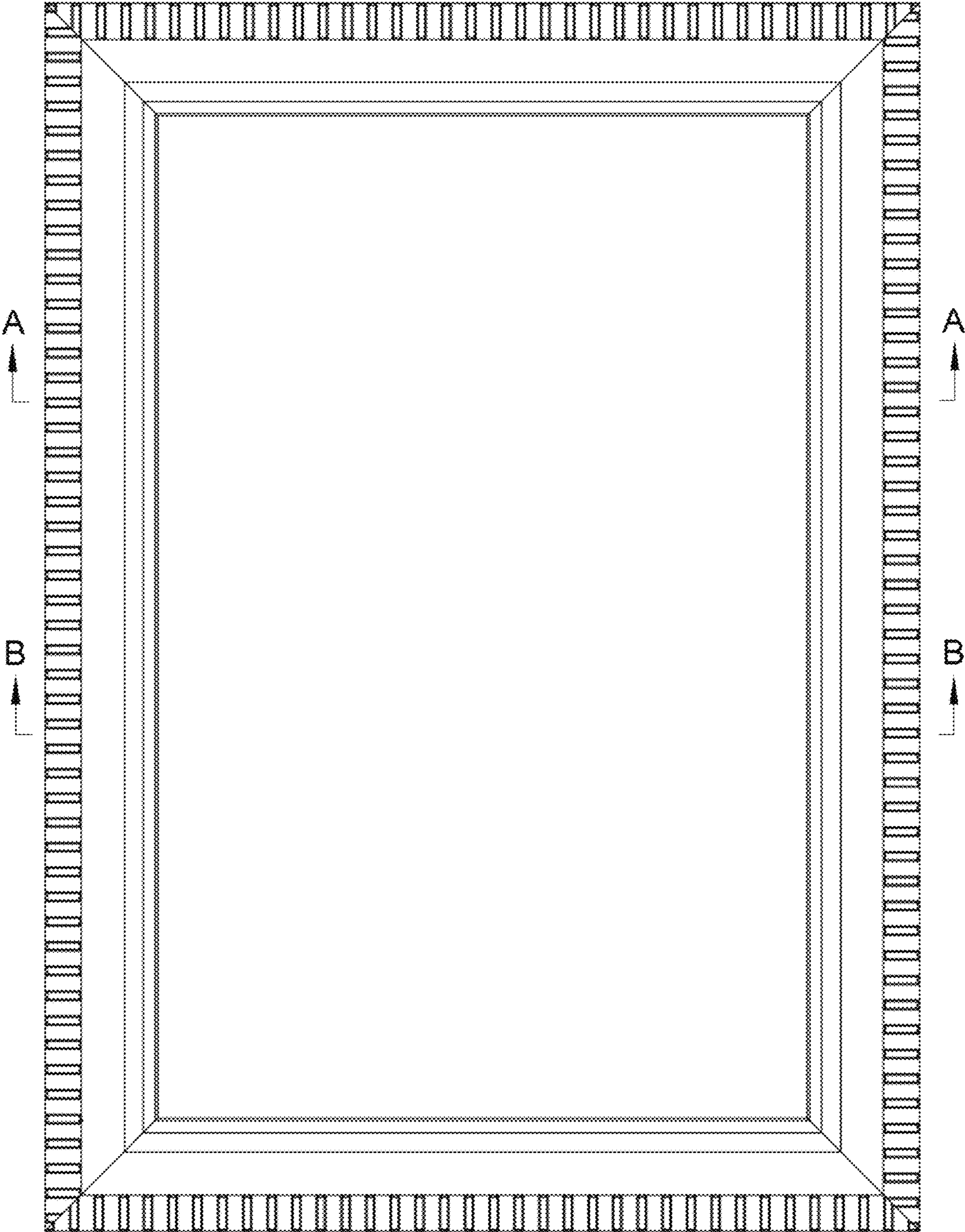


FIG.2

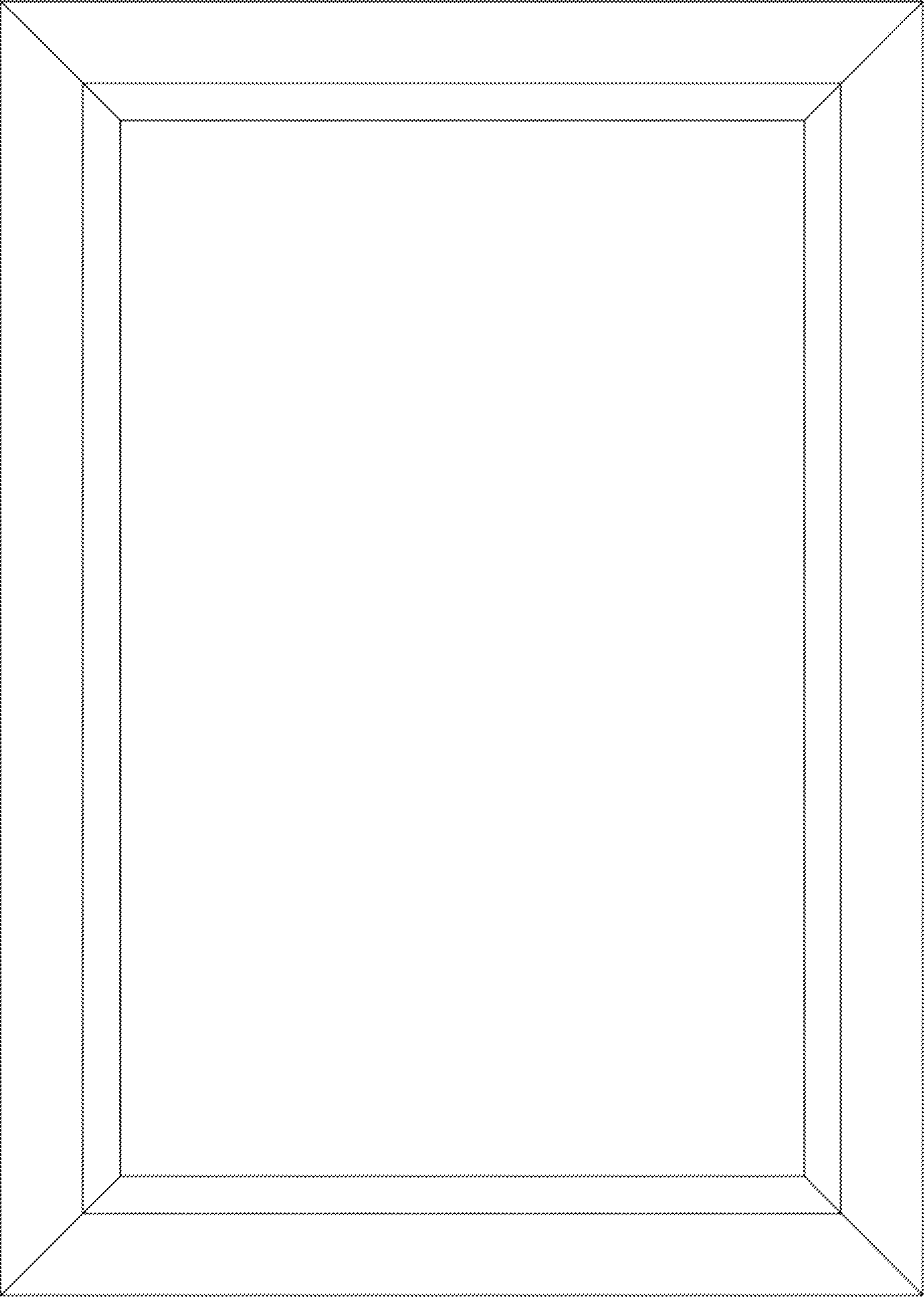


FIG.3

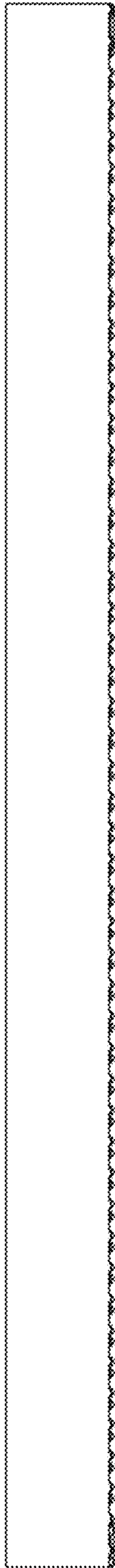


FIG. 4

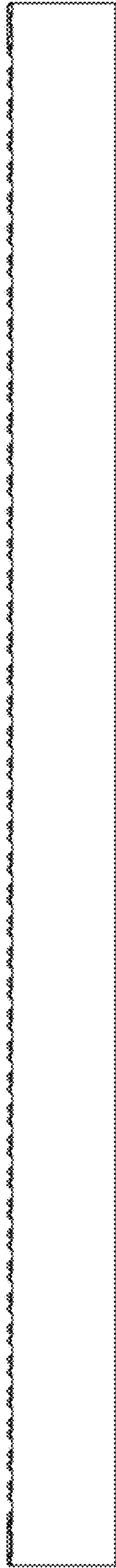


FIG. 5

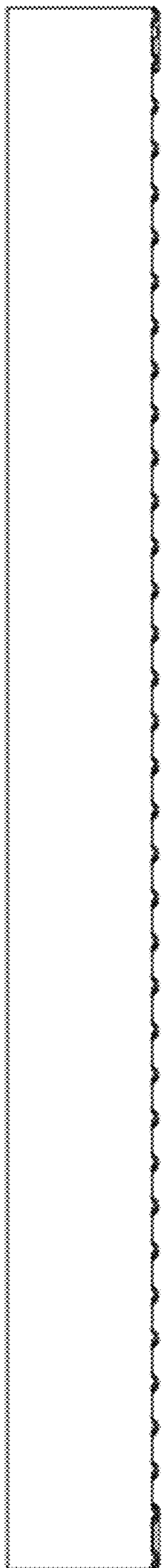


FIG. 6

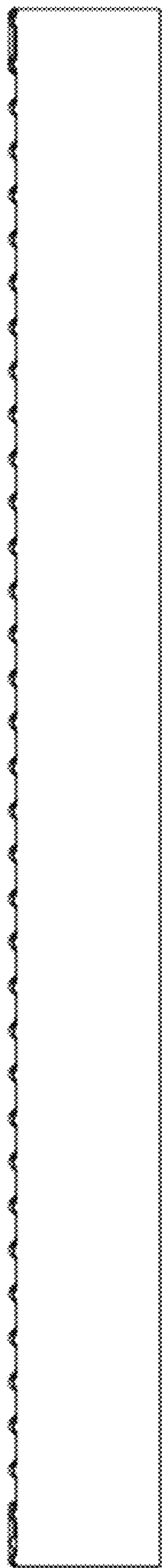


FIG. 7

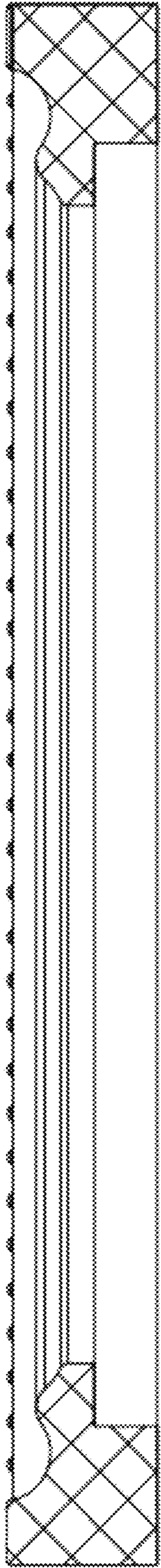


FIG. 8

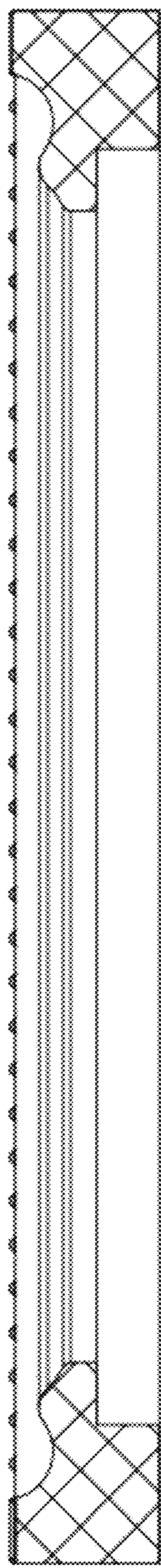


FIG. 9