



US00D909068S

(12) **United States Design Patent** (10) **Patent No.:** **US D909,068 S**
Dye (45) **Date of Patent:** **** Feb. 2, 2021**

- (54) **BRUSH**
- (71) Applicant: **OASE GmbH**, Hörstel-Riesenbeck (DE)
- (72) Inventor: **Toby Dye**, Ipswich (GB)
- (73) Assignee: **OASE GmbH**, Hörstel-Riesenbeck (DE)
- (**) Term: **15 Years**
- (21) Appl. No.: **29/676,299**
- (22) Filed: **Jan. 10, 2019**
- (30) **Foreign Application Priority Data**
Jul. 26, 2018 (EM) 005515624
- (51) **LOC (13) Cl.** **04-99**
- (52) **U.S. Cl.**
USPC **D4/134**
- (58) **Field of Classification Search**
USPC D4/100, 102, 106, 107, 109, 110, 111, D4/112, 117, 120, 126, 127, 128, 129, D4/130, 131, 132, 133, 134, 135, 136, D4/137, 138; D28/7, 13, 19, 21, 22, 23, D28/24, 28, 29, 30, 31, 32, 33, 45, 63, D28/74; D30/158, 159; D7/682; D8/107, 303
CPC A46B 2200/104; A46B 1/00; A46B 2200/1006; A46B 2200/102; A46D 1/0276
See application file for complete search history.

- (56) **References Cited**
U.S. PATENT DOCUMENTS
D227,622 S * 7/1973 Lindbo D4/132
D231,283 S * 4/1974 Lindbo D4/132
5,961,235 A * 10/1999 Kennedy A45D 34/04 401/140
D495,881 S * 9/2004 Berti D4/138

- D495,884 S * 9/2004 Berti D4/138
- D501,323 S * 2/2005 Berti D4/138
- D509,660 S * 9/2005 Listenberger D4/138
- D513,127 S * 12/2005 Hay D4/115
- D544,775 S * 6/2007 Cybulski D8/300
- D577,201 S * 9/2008 Meyer D4/119
- 7,478,957 B1 * 1/2009 Thornton A45D 34/00 15/160
- 7,631,385 B2 * 12/2009 Schouten A46B 3/16 15/160

FOREIGN PATENT DOCUMENTS

EM 005515624-0001 * 7/2018

OTHER PUBLICATIONS

Dish Scrubber: URL link exceeds character limit, please see attached PDF for information.*
Imagitarium Cleaning Brush: URL link exceeds character limit, please see attached PDF for information.*

* cited by examiner

Primary Examiner — George A Bugg
Assistant Examiner — Tamara L Hahn
(74) *Attorney, Agent, or Firm* — Gudrun E. Hockett

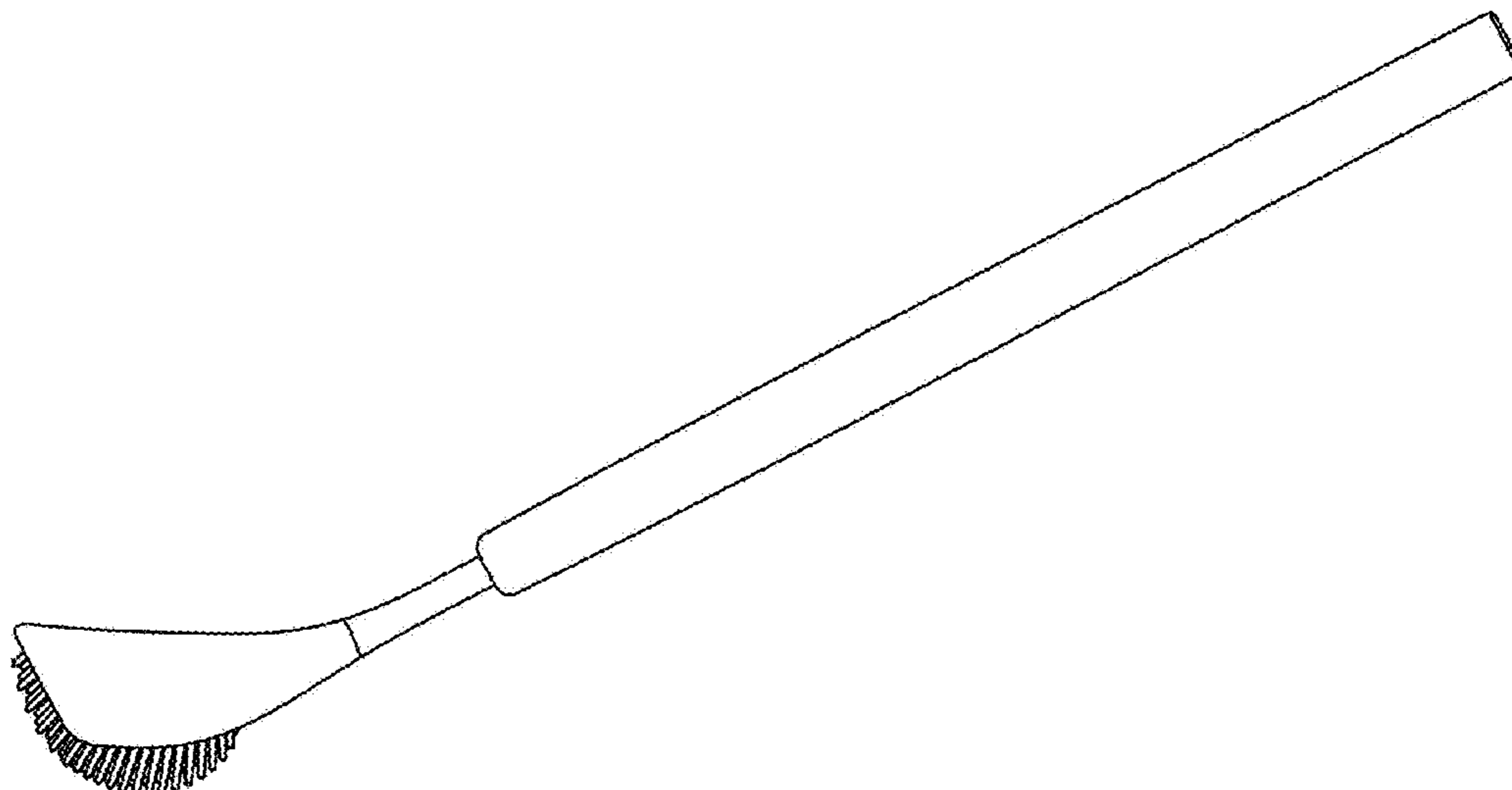
(57) **CLAIM**

The ornamental design for a brush, as shown and described.

DESCRIPTION

FIG. 1 is a perspective view of the brush according to my new design;
FIG. 2 is an enlarged front side view thereof;
FIG. 3 is an enlarged back side view thereof;
FIG. 4 is a top view thereof;
FIG. 5 is a bottom view thereof;
FIG. 6 is a first side view thereof; and,
FIG. 7 is a second side view thereof.
The broken lines are included for the purpose of illustrating portions of the brush that form no part of the claimed design.

1 Claim, 7 Drawing Sheets



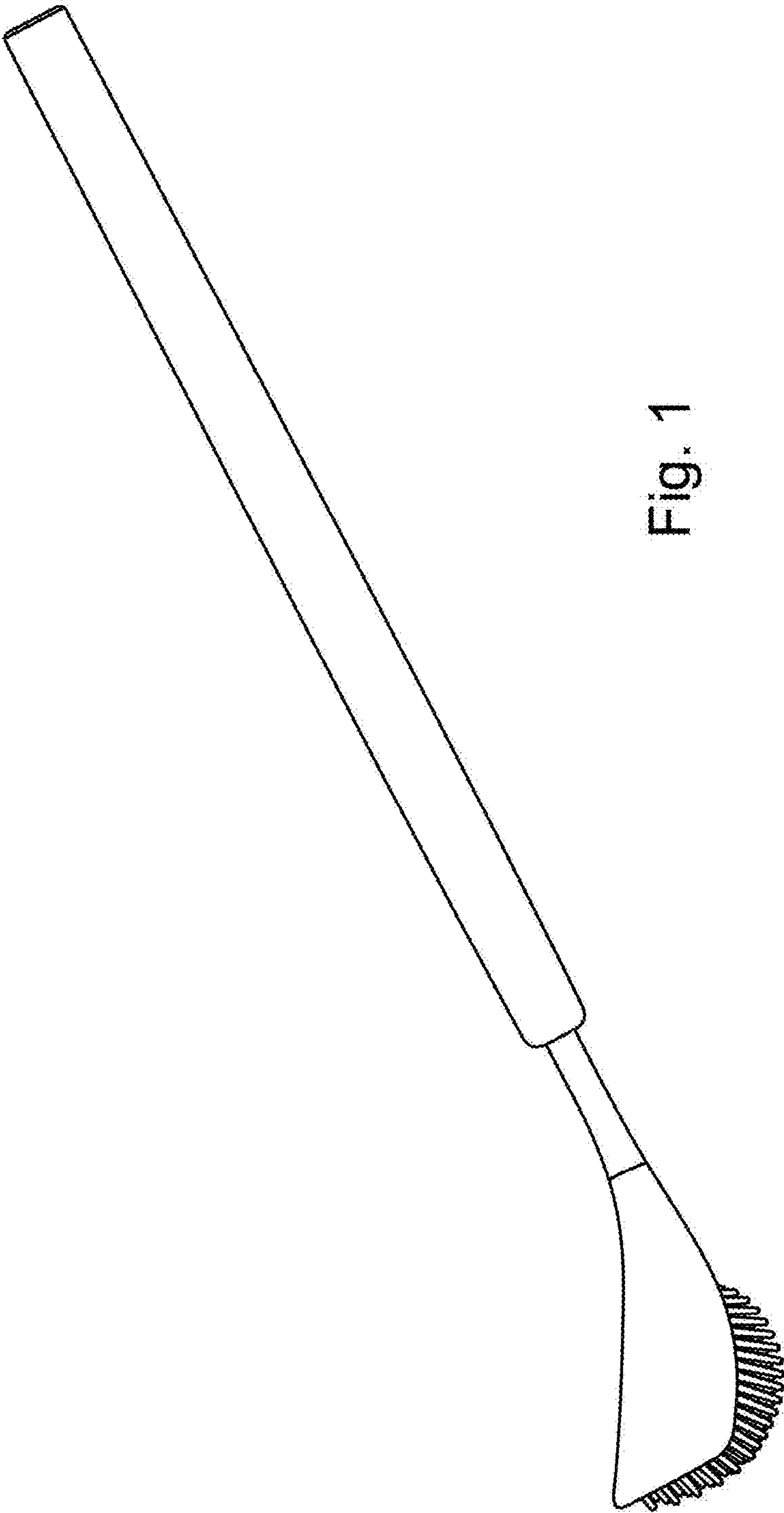


Fig. 1

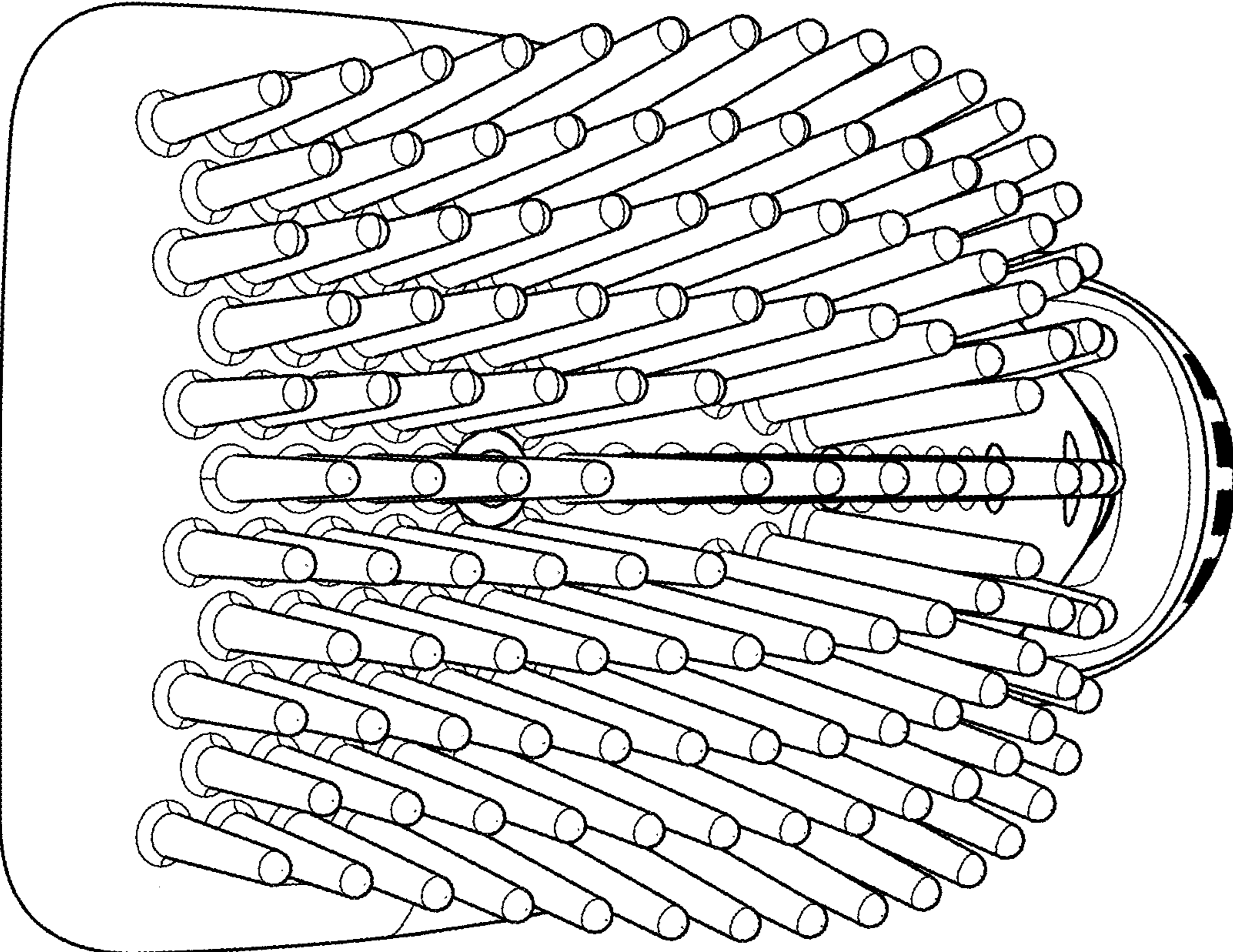


Fig. 2

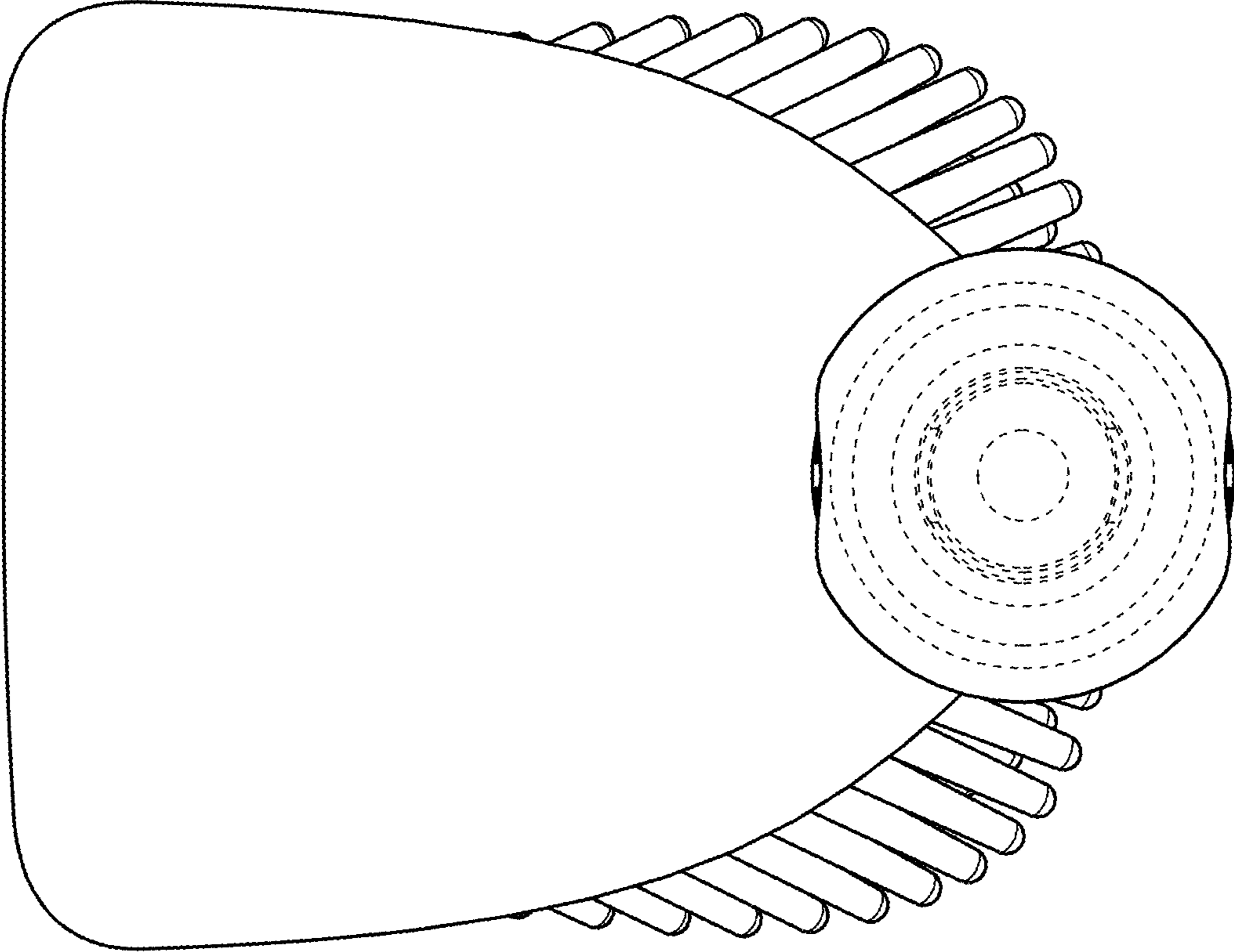


Fig. 3

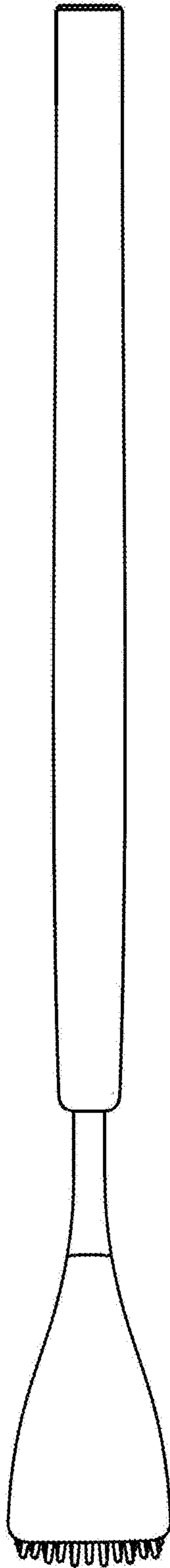


Fig. 4

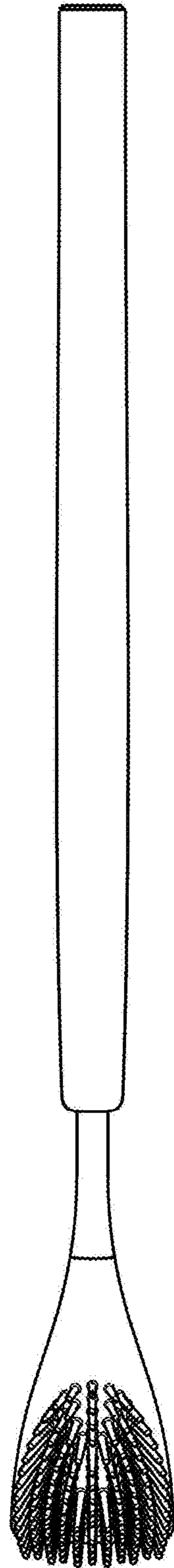


Fig. 5

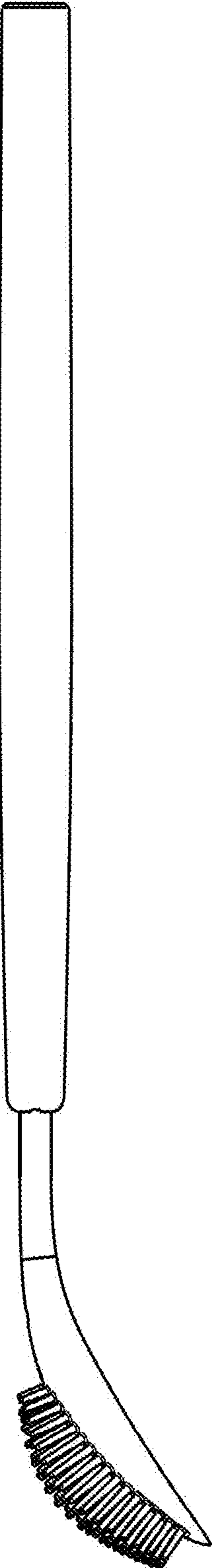


Fig. 6

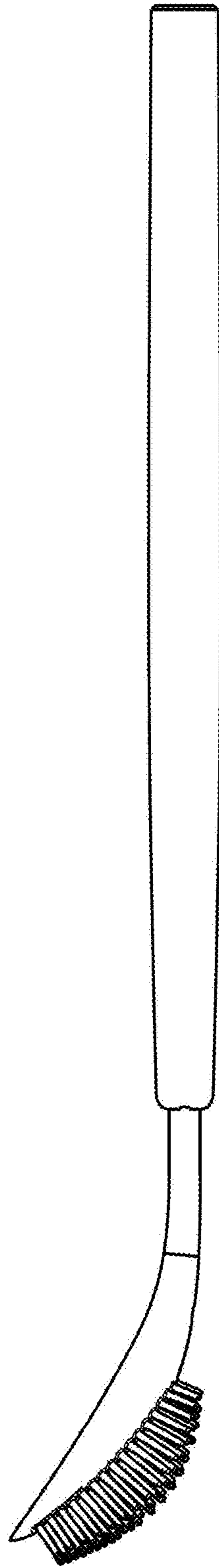


Fig. 7