



US00D909067S

(12) **United States Design Patent**
Robbins

(10) **Patent No.:** **US D909,067 S**

(45) **Date of Patent:** **** Feb. 2, 2021**

(54) **BRUSH WITH FOLDABLE HANDLE**

(71) Applicant: **J & D Brush Co., LLC**, Hauppauge,
NY (US)

(72) Inventor: **Gayle Robbins**, Hauppauge, NY (US)

(73) Assignee: **J & D Brush Co., LLC**, Commack,
NY (US)

(**) Term: **15 Years**

(21) Appl. No.: **29/694,221**

(22) Filed: **Jun. 7, 2019**

(51) **LOC (13) Cl.** **04-02**

(52) **U.S. Cl.**
USPC **D4/121; D4/134**

(58) **Field of Classification Search**
USPC D4/104, 105, 106, 107, 108, 109, 110,
D4/111, 112, 113, 117, 121, 130, 132,
D4/133, 134, 135, 136, 138, 199; 15/201
CPC A46B 5/002; A46B 5/0025; A46B 5/0033;
A46B 5/0037; A46B 5/02; A46B 9/023;
A46B 15/0087; A46B 2200/104
See application file for complete search history.

(56) **References Cited**

U.S. PATENT DOCUMENTS

D33,336	S	*	10/1900	Deemer	D4/199
D188,712	S	*	8/1960	Baumgartner	D4/133
D231,506	S	*	4/1974	Karabelas	D4/134
D234,168	S	*	1/1975	Sporn	D4/133
6,152,146	A	*	11/2000	Taylor	A01K 13/002
						132/116
D543,705	S	*	6/2007	Leung	D4/133
7,316,045	B2	*	1/2008	Koke	A46B 17/06
						132/119
7,814,602	B2	*	10/2010	Stydahar	A46B 7/10
						15/22.3
7,845,360	B2	*	12/2010	Walters	A46B 5/0095
						132/108
D749,326	S	*	2/2016	Rennette	D4/121

9,402,460	B2	*	8/2016	Hickey	A46B 9/023
D785,950	S	*	5/2017	Rosenzweig	D4/138
D815,839	S	*	4/2018	Rosenzweig	D4/136
D828,040	S	*	9/2018	Rosenzweig	D4/138
D847,517	S	*	5/2019	Rosenzweig	D4/138
D864,580	S	*	10/2019	Delzell	D4/116
10,426,248	B2	*	10/2019	Rosenzweig	A46B 5/0041
D866,982	S	*	11/2019	Rosenzweig	D4/116
10,531,727	B2	*	1/2020	Sze	A46B 9/026
2011/0094528	A1	*	4/2011	Leung	A46B 9/023
						132/120

(Continued)

FOREIGN PATENT DOCUMENTS

CN	305095060	*	4/2019
CN	305111257	S	4/2019

Primary Examiner — Karen E Eldridge Powers
(74) *Attorney, Agent, or Firm* — Gloria Tsui-Yip;
Gottlieb, Rackman & Reisman, P.C.

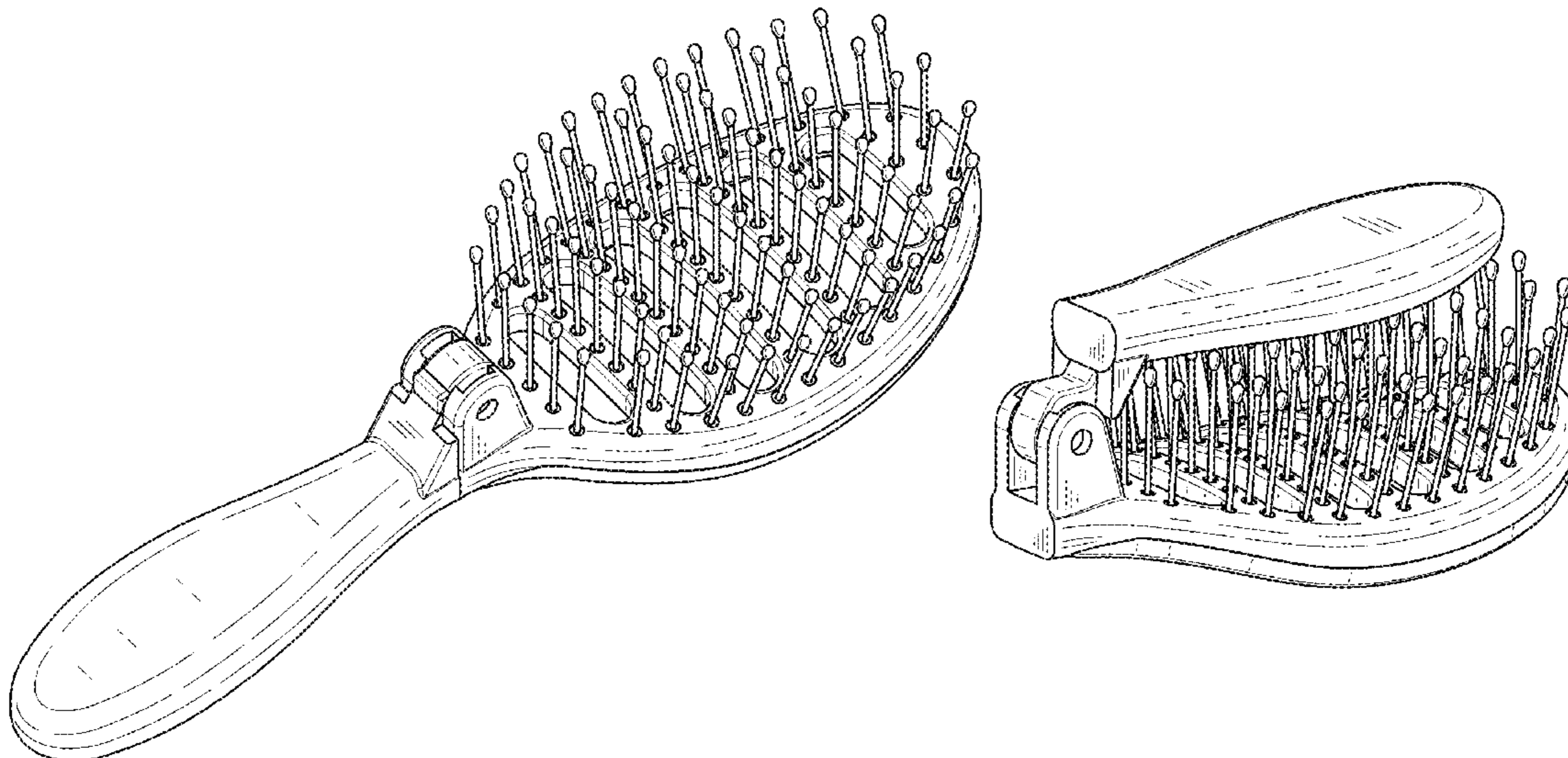
(57) **CLAIM**

The ornamental design for a brush with foldable handle, as shown and described.

DESCRIPTION

FIG. 1 is a front elevational view of my new design;
FIG. 2 is a rear elevational view thereof;
FIG. 3 is a left side view thereof;
FIG. 4 is a right side view thereof;
FIG. 5 is a bottom plan view thereof;
FIG. 6 is a top plan view thereof;
FIG. 7 is a bottom, front and right side perspective view thereof;
FIG. 8 is top, rear and left side perspective view thereof;
FIG. 9 is a left side elevational view thereof with the handle of the brush in a folded position; and,
FIG. 10 is a bottom, front and right side perspective view thereof.

1 Claim, 6 Drawing Sheets



(56)

References Cited

U.S. PATENT DOCUMENTS

2019/0231059 A1* 8/2019 Size A46B 5/0025

* cited by examiner

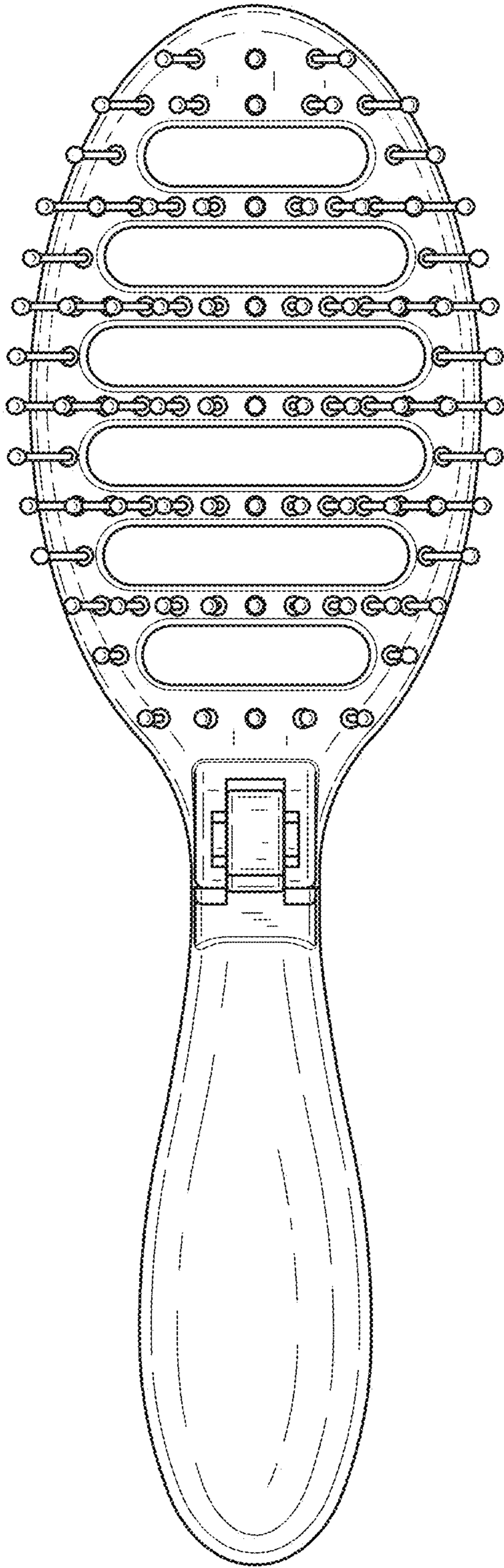


FIG.1

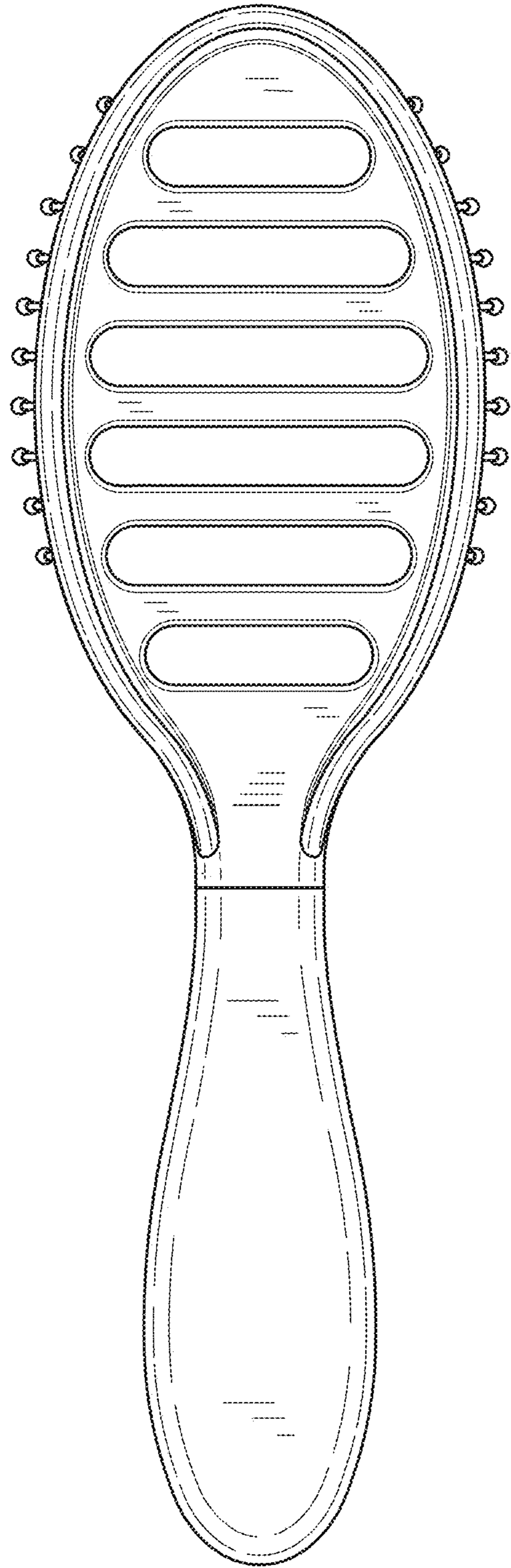


FIG.2

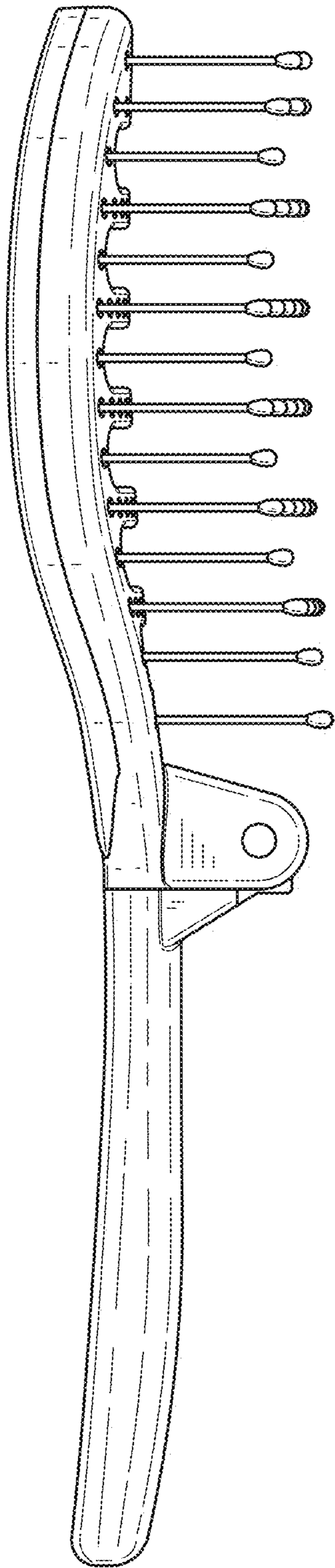


FIG.3

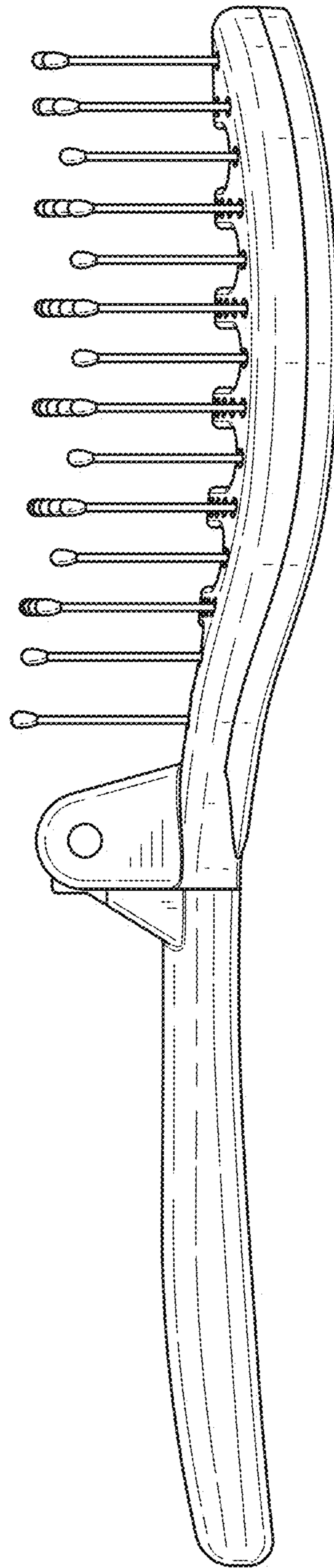


FIG.4

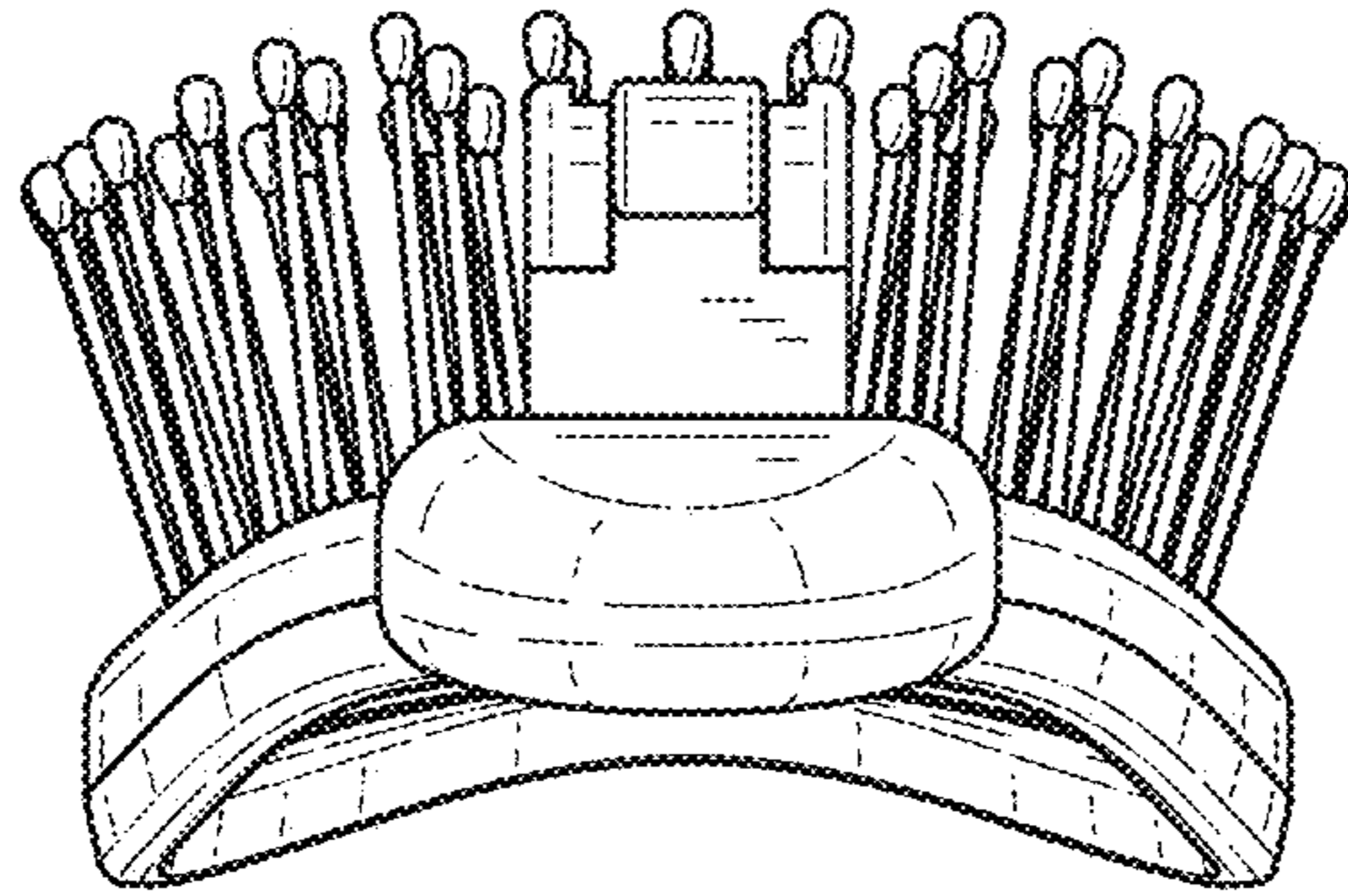


FIG. 5

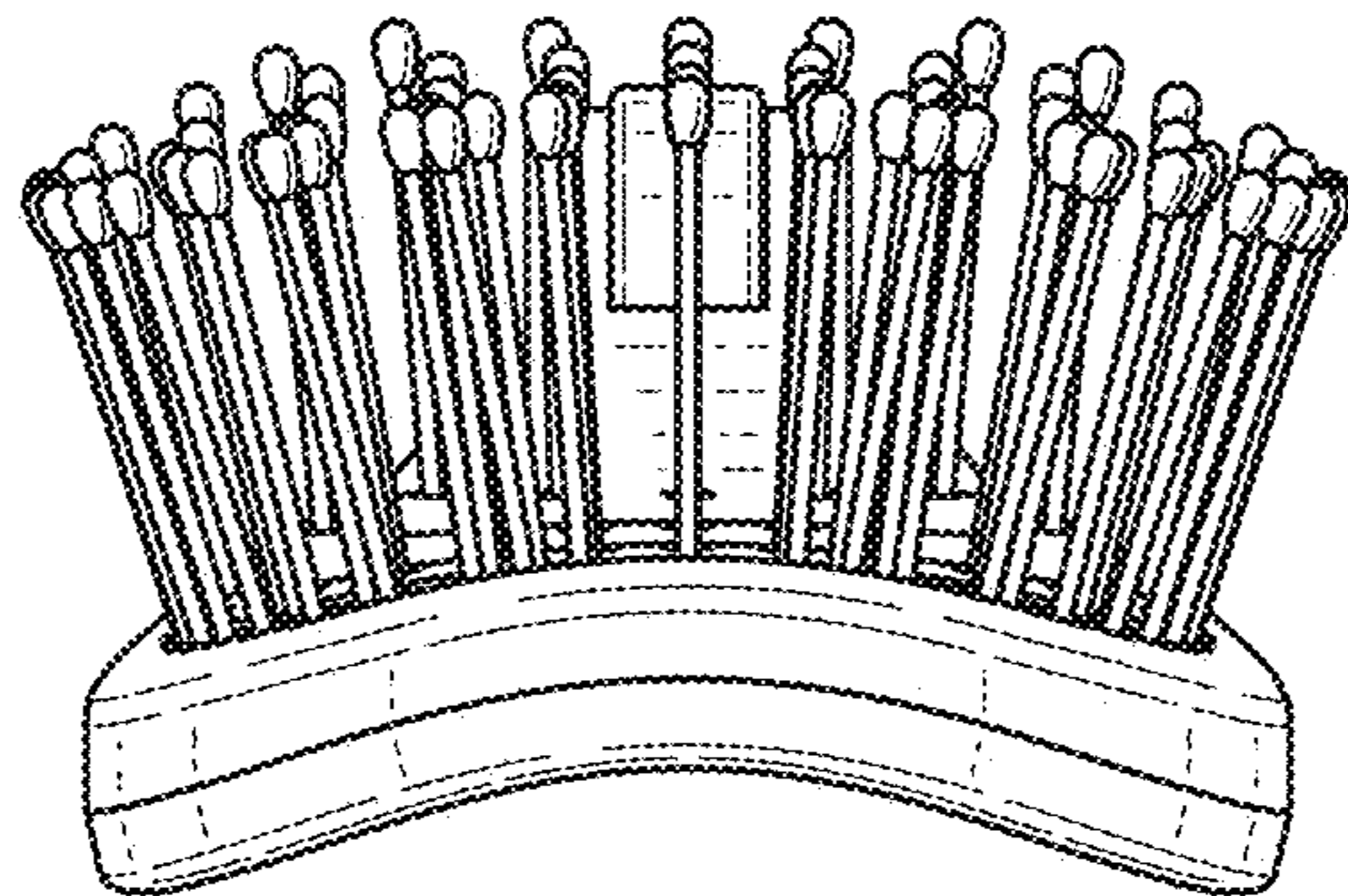


FIG. 6

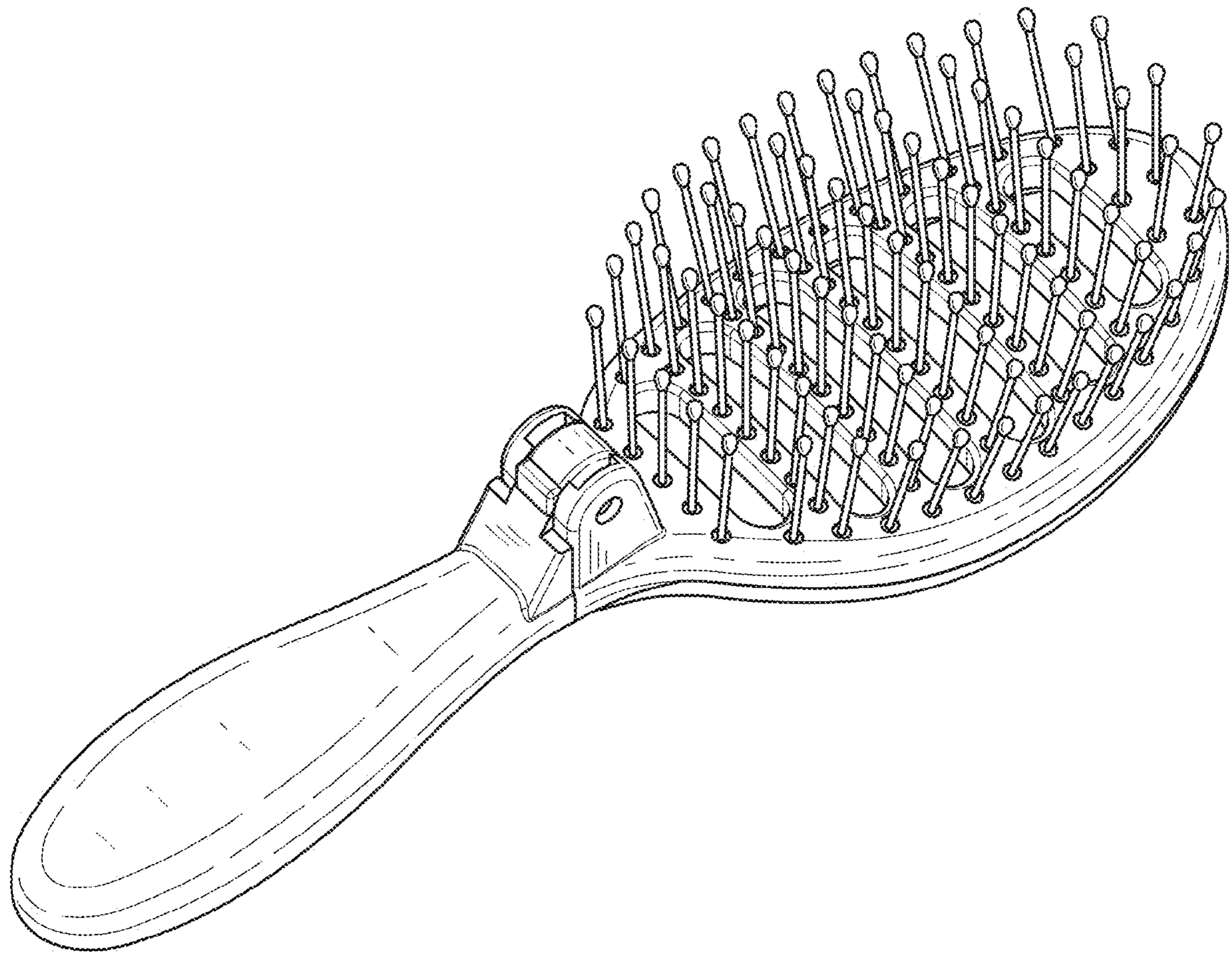


FIG. 7

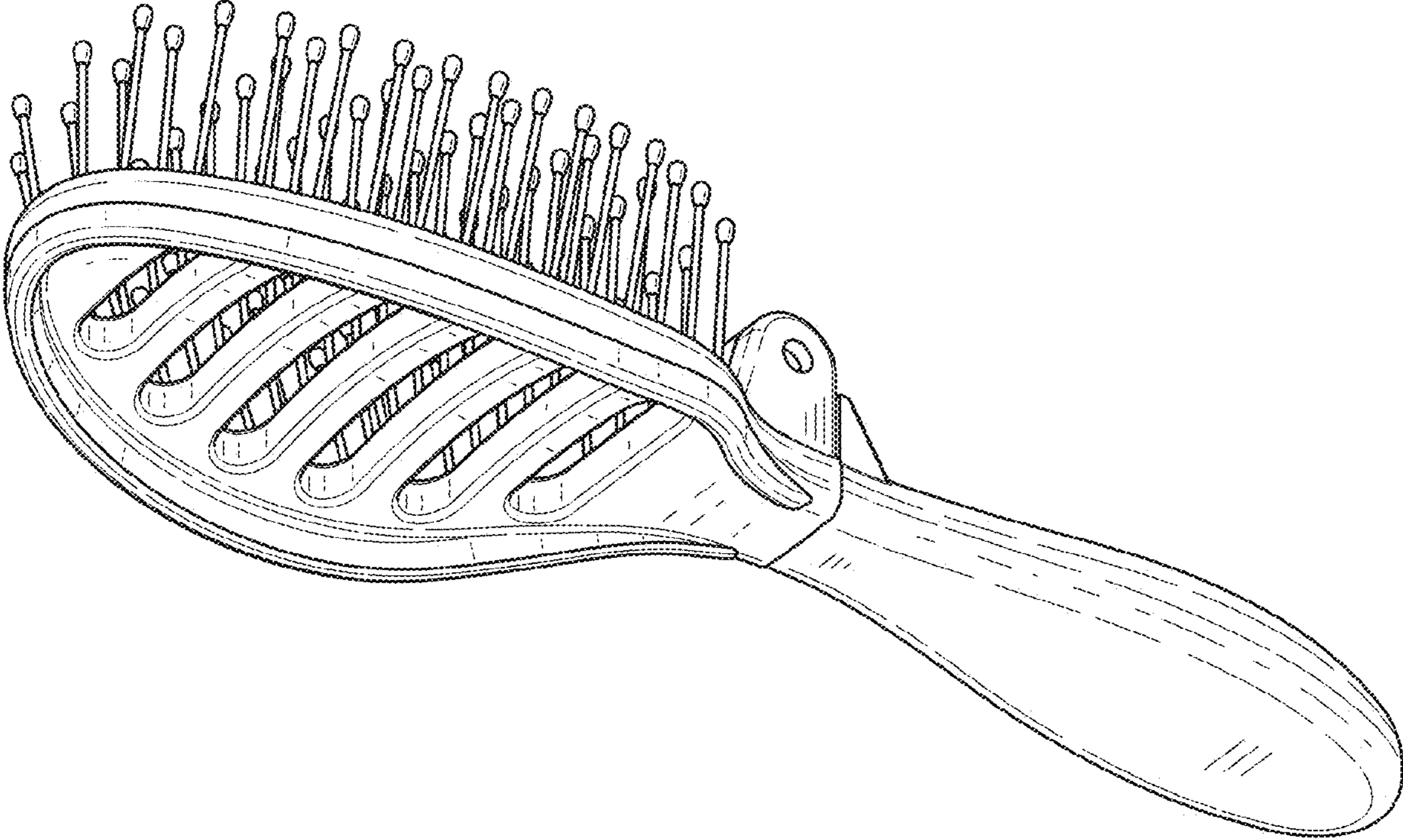


FIG.8

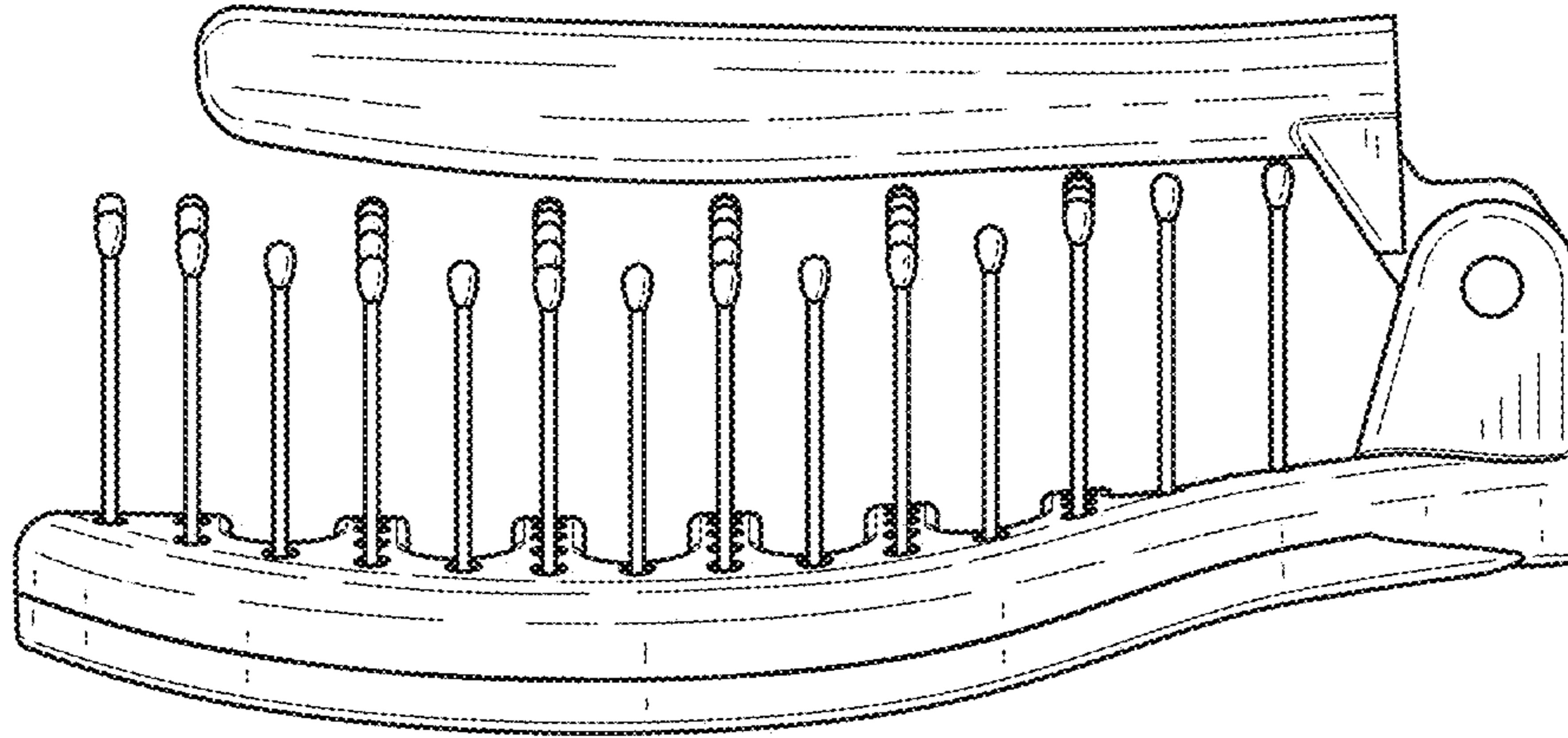


FIG. 9

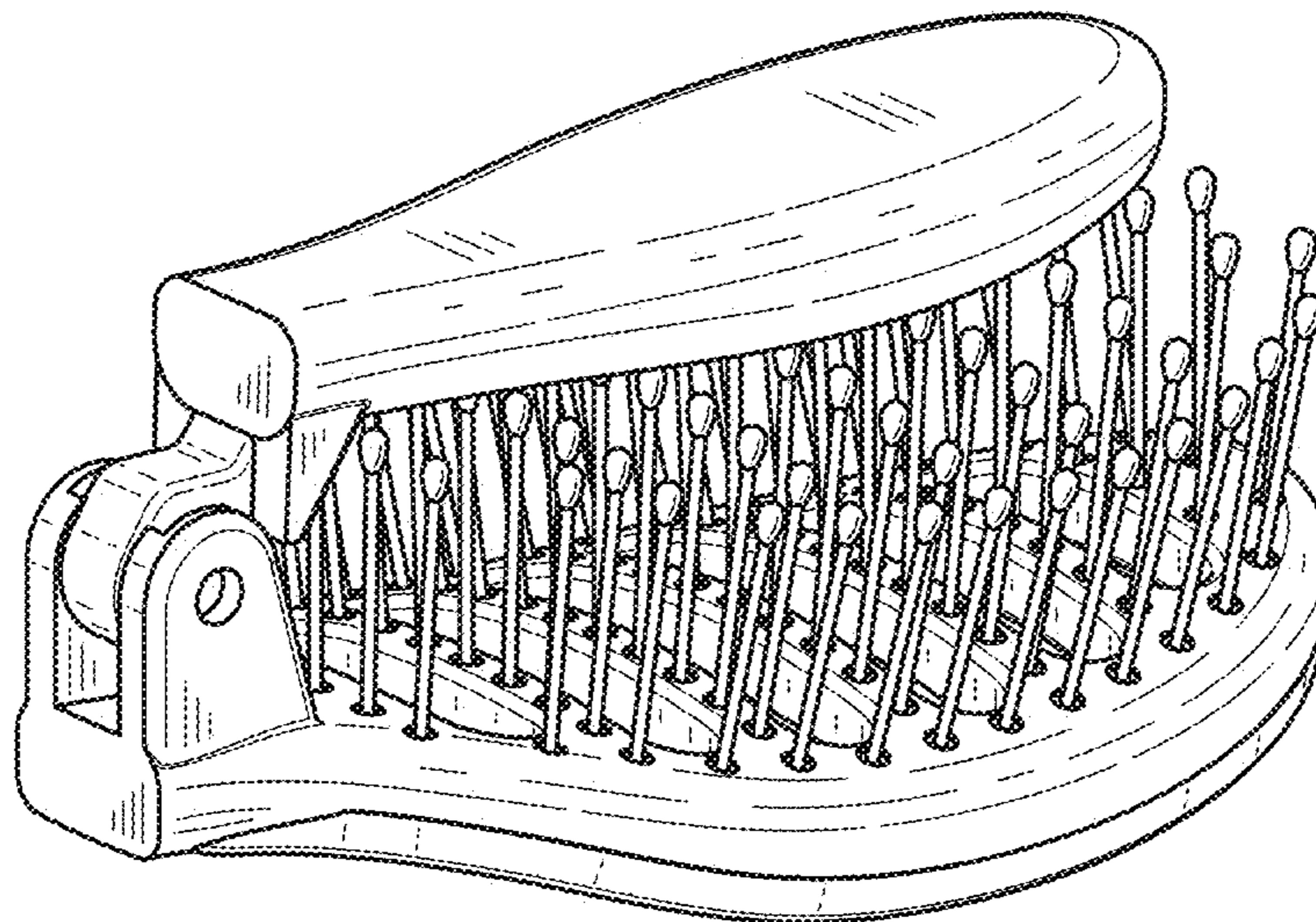


FIG. 10