



US00D909066S

(12) **United States Design Patent** (10) **Patent No.:** **US D909,066 S**
Bixby et al. (45) **Date of Patent:** **** Feb. 2, 2021**

(54) DISPENSING BRUSH	3,968,789 A * 7/1976 Simoncini A46B 13/04 601/95
(71) Applicant: WHIRLPOOL CORPORATION, Benton Harbor, MI (US)	D282,318 S * 1/1986 Herzfeld D4/104 D295,118 S * 4/1988 Valenza D4/114 4,903,365 A * 2/1990 Kaufman A47L 13/10 15/110
(72) Inventors: Seth E. Bixby, Stevensville, MI (US); Marcus A. Cannon, St. Joseph, MI (US); Sayer J. Murphy, St. Joseph, MI (US); Jun Young Park, St. Joseph, MI (US); Joel R. Shinaberry, St. Joseph, MI (US)	D324,777 S * 3/1992 Vangen 401/184 D328,374 S * 7/1992 Goin D32/45 D351,066 S * 10/1994 Libman D4/114 D387,563 S * 12/1997 Koptis D32/45 D387,704 S * 12/1997 Berti D32/45 D420,516 S * 2/2000 Schoeneweis D4/114 6,210,064 B1 4/2001 White et al. 6,353,954 B1 3/2002 Dunsbergen et al. D493,287 S * 7/2004 Hay D4/130
(73) Assignee: Whirlpool Corporation, Benton Harbor, MI (US)	(Continued)

(**) Term: **15 Years**

(21) Appl. No.: **29/660,260**

(22) Filed: **Aug. 20, 2018**

(51) **LOC (13) Cl.** **04-01**

(52) **U.S. Cl.**
USPC **D4/114**

(58) **Field of Classification Search**
USPC D4/114, 127, 130, 134, 129, 102, 119,
D4/104; D24/200; D32/45, 14.1, 33;
D28/7; D30/159, 158
CPC A46B 13/04; A46B 5/026; A01K 13/001;
A47L 13/10; A61B 90/80
See application file for complete search history.

(56) **References Cited**

U.S. PATENT DOCUMENTS

2,546,291 A *	3/1951	Baumgartner	A61B 90/80 15/143.1
D196,707 S *	10/1963	Anderson	D4/114
D201,428 S *	6/1965	Kellis	D4/114
3,387,313 A *	6/1968	Smith	A46B 5/026 15/111
3,490,254 A	1/1970	Mason		

FOREIGN PATENT DOCUMENTS

EP	1508284 A1	2/2005
WO	0216686 A1	2/2002

(Continued)

Primary Examiner — Rhea Shields

(74) *Attorney, Agent, or Firm* — Price Heneveld LLP

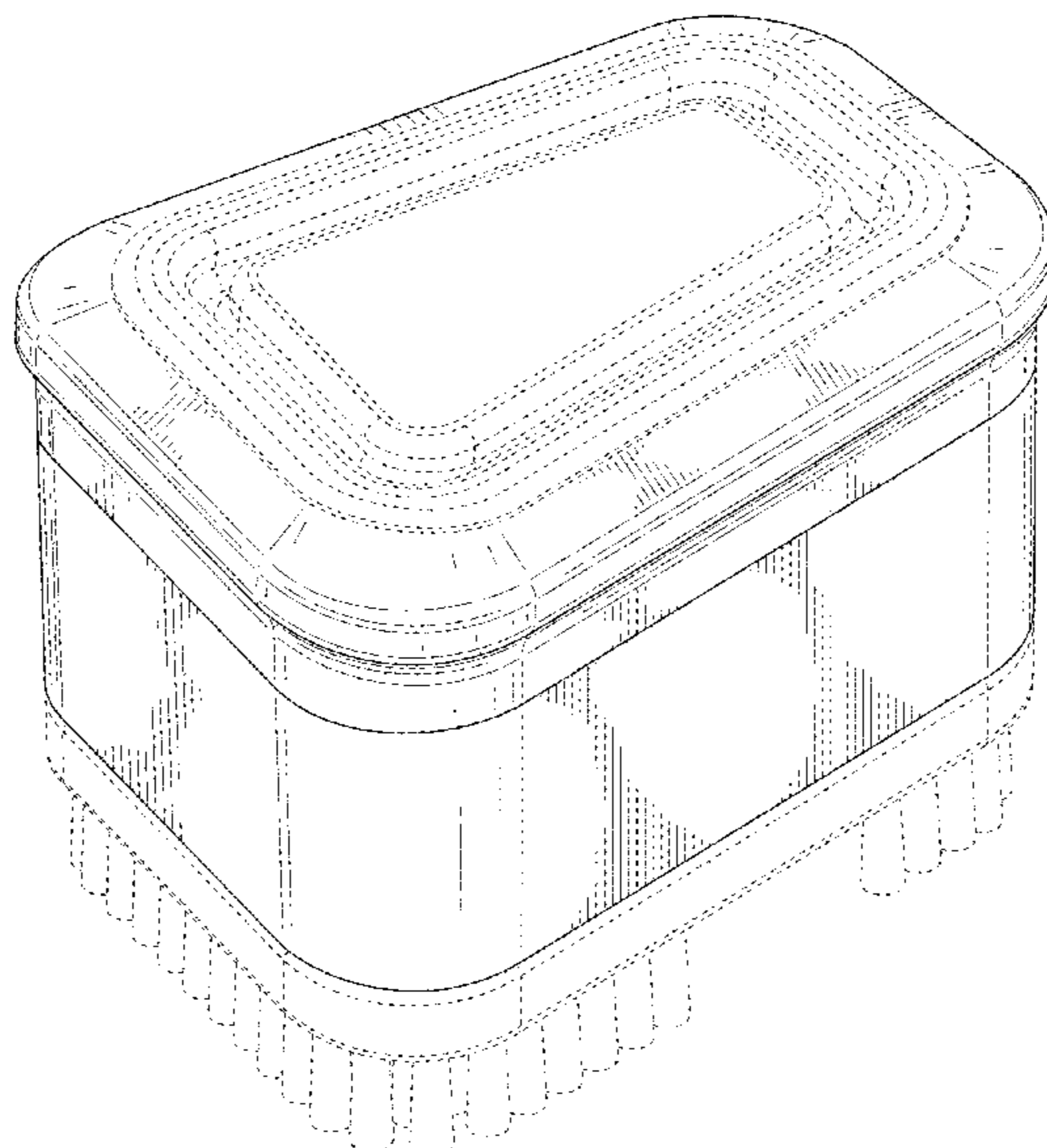
(57) **CLAIM**

The ornamental design for a dispensing brush, as shown and described.

DESCRIPTION

FIG. 1 is a front perspective view of a dispensing brush according to the design;
 FIG. 2 is a bottom perspective view thereof;
 FIG. 3 is a front elevation view thereof;
 FIG. 4 is a back elevation view thereof;
 FIG. 5 is a right side elevation view thereof;
 FIG. 6 is a left side view thereof;
 FIG. 7 is a top plan view thereof; and,
 FIG. 8 is a bottom plan view thereof.
 The portions of the article shown in broken line form no part of the claimed design.

1 Claim, 8 Drawing Sheets



(56)

References Cited

U.S. PATENT DOCUMENTS

7,246,573 B2 * 7/2007 Dunn A01K 13/001
 119/632
 D553,816 S * 10/2007 Lambert D32/45
 D577,871 S * 9/2008 Caserta D32/14.1
 D601,348 S * 10/2009 Choi D4/130
 D689,700 S * 9/2013 Lee D4/114
 D703,825 S * 4/2014 Barrett D24/200
 D711,055 S * 8/2014 Singer D30/158
 D727,032 S * 4/2015 Davis D4/114
 D739,659 S * 9/2015 Sun D4/114
 9,433,191 B2 * 9/2016 Frye A01K 13/001
 D811,747 S * 3/2018 Powell D4/102
 D824,679 S * 8/2018 Ramos D4/134
 D827,959 S * 9/2018 Larouche D32/33
 D840,608 S * 2/2019 Snead, Sr. D30/159
 D844,334 S * 4/2019 Lee D4/134
 D844,920 S * 4/2019 Renner D32/45
 D845,001 S * 4/2019 Jack D4/130
 D853,127 S * 7/2019 Kling D4/127
 D863,781 S * 10/2019 Matsushita D4/129
 D868,371 S * 11/2019 Huchet D28/7
 D876,842 S * 3/2020 Tschopp D4/127
 D886,461 S * 6/2020 Du D4/119
 D887,149 S * 6/2020 Yang D4/127
 D887,720 S * 6/2020 Kauffman D4/127
 2003/0104962 A1 6/2003 Verherbrugghen et al.
 2004/0265042 A1 12/2004 Chan et al.
 2016/0220088 A1 8/2016 Zohar et al.
 2017/0362762 A1 12/2017 Carpenter et al.

FOREIGN PATENT DOCUMENTS

WO 2005009198 A1 2/2005
 WO 2017067851 A1 4/2017

* cited by examiner

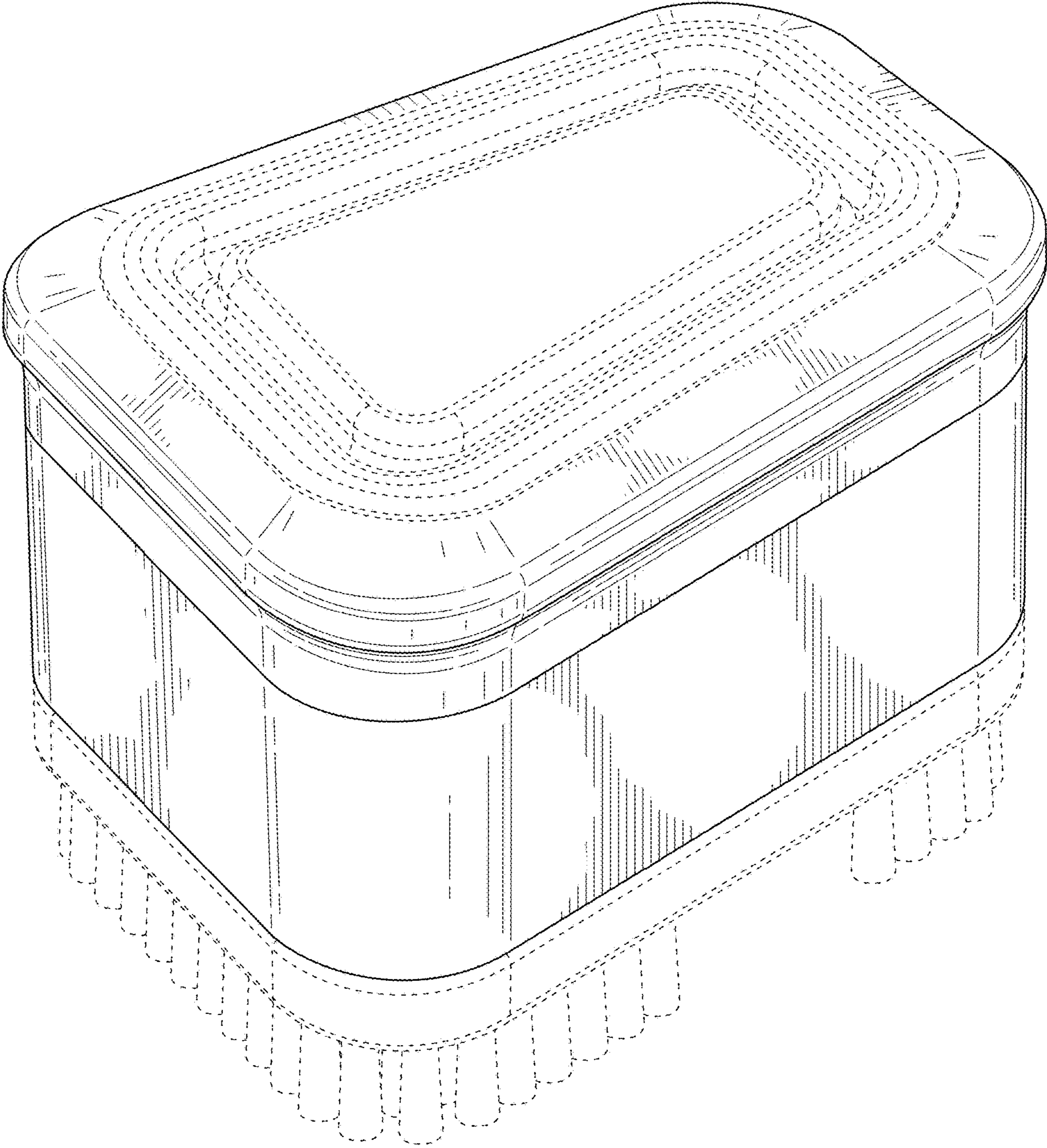


FIG. 1

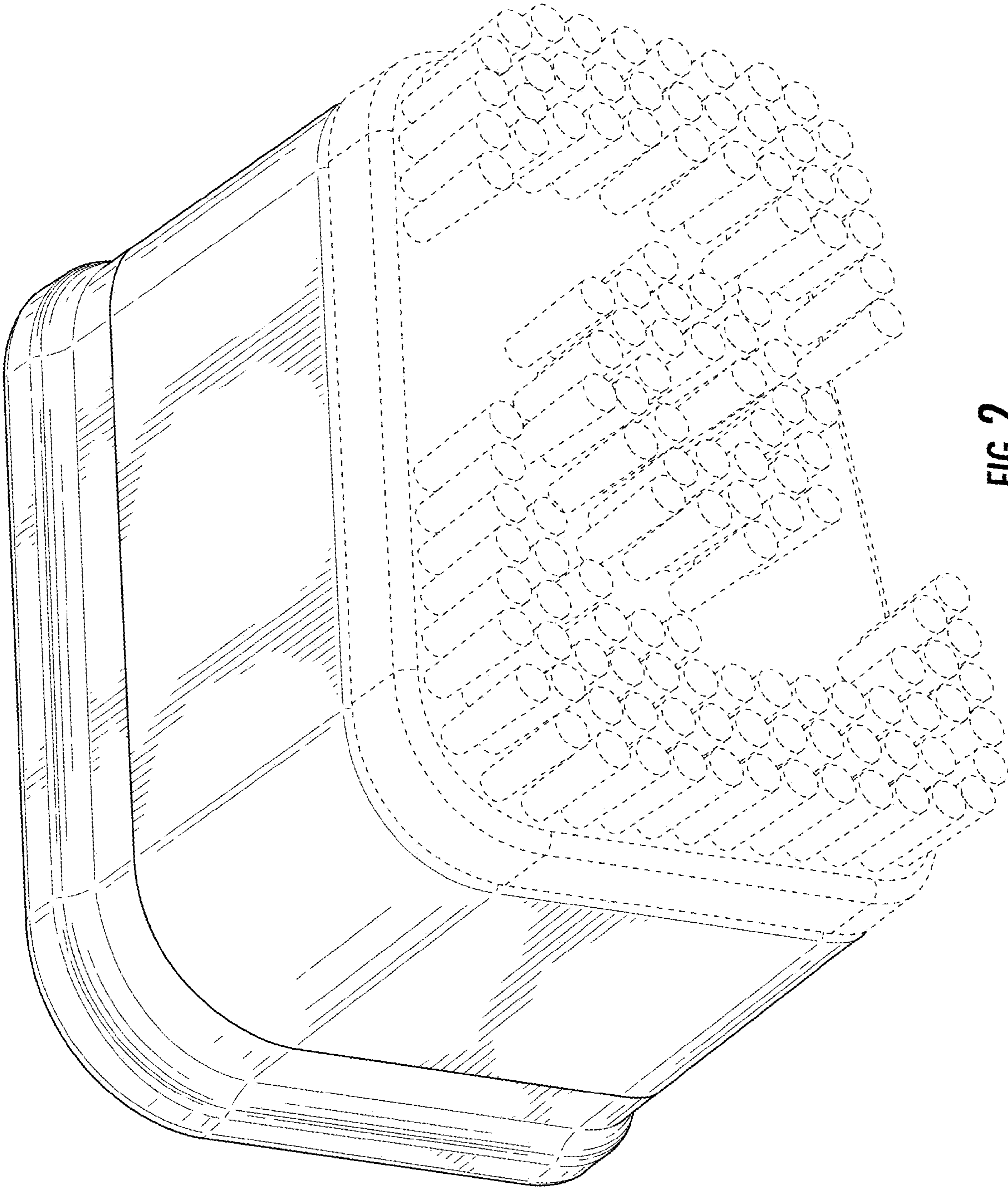


FIG. 2

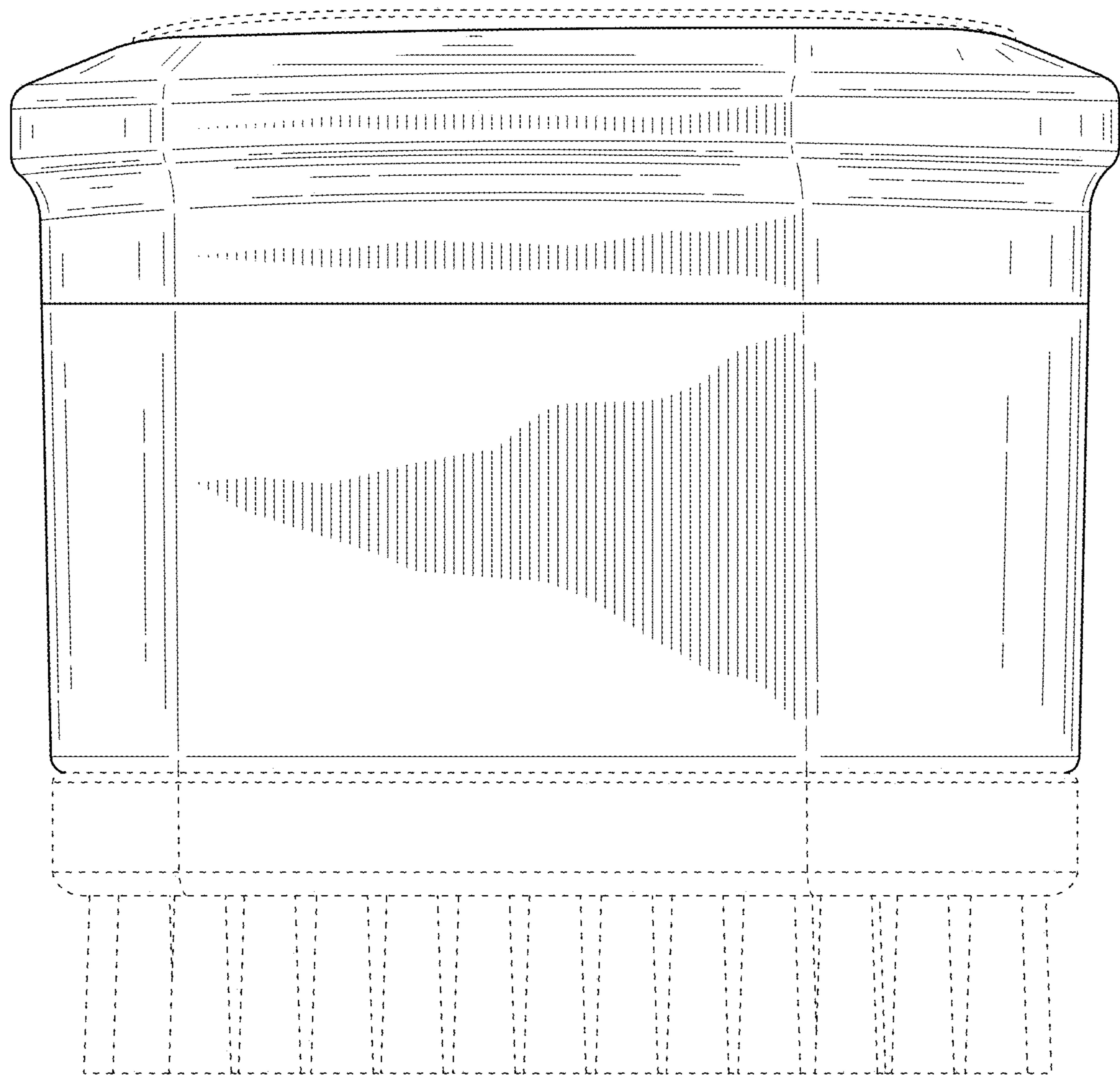


FIG. 3

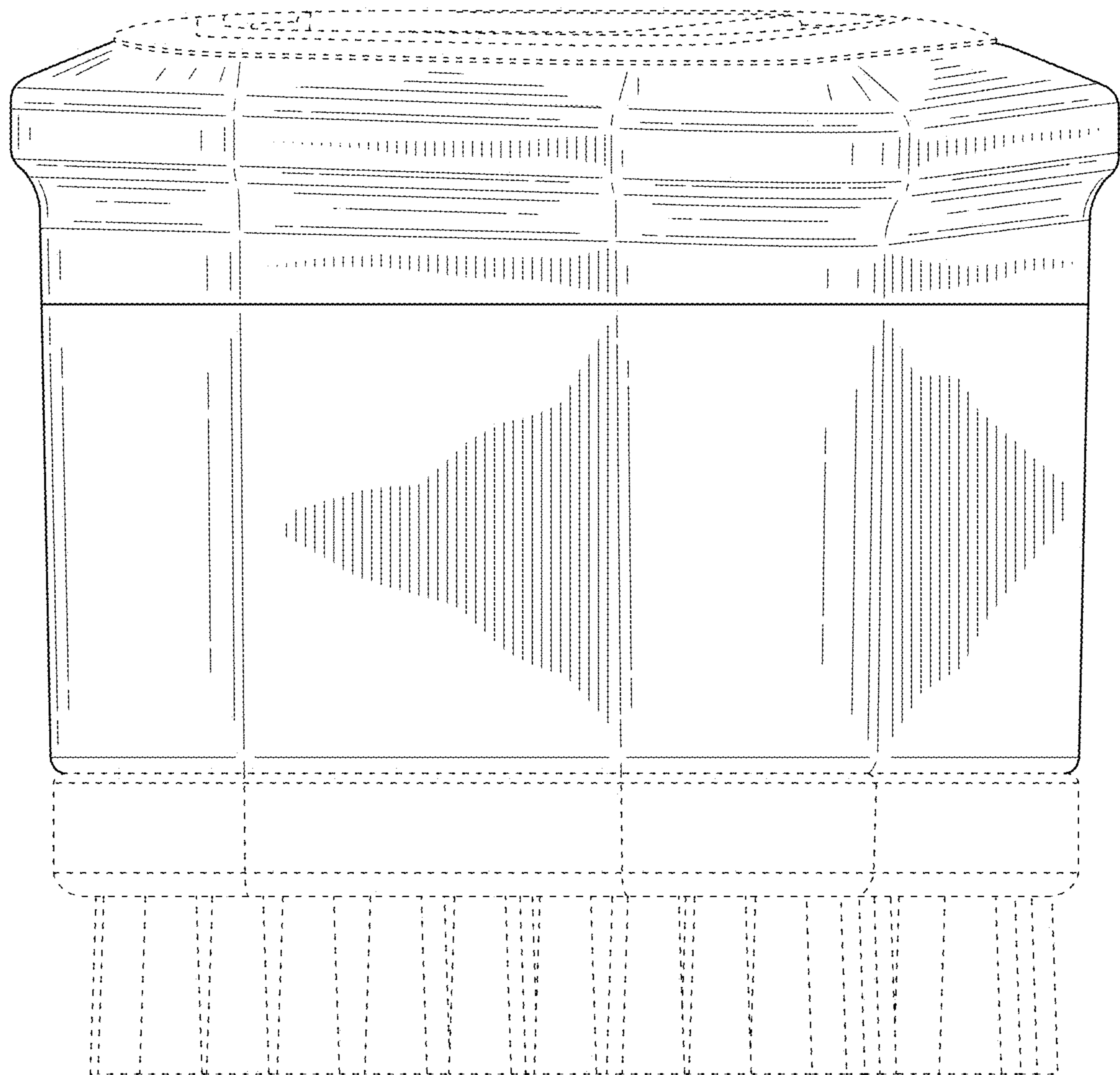


FIG. 4

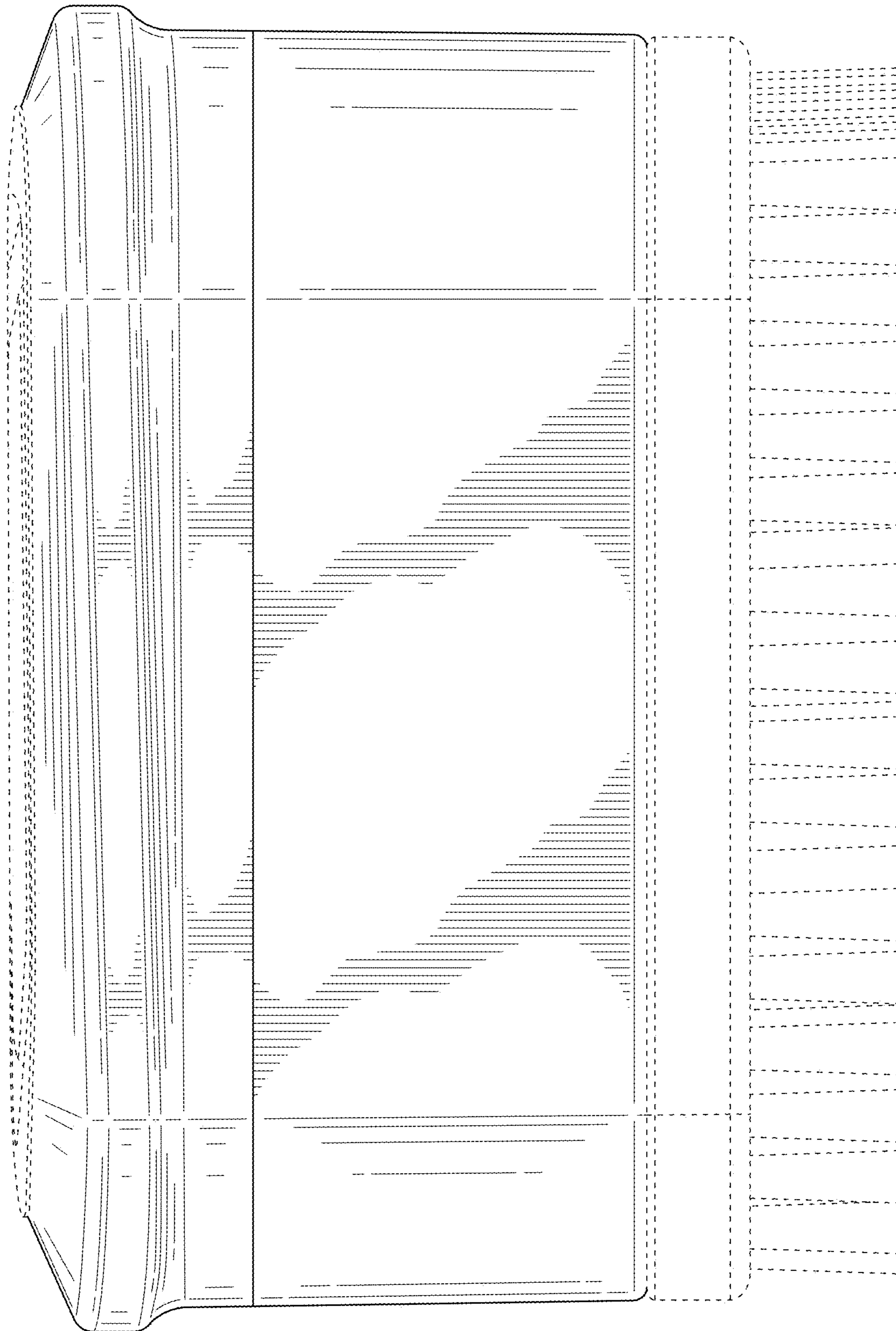


FIG. 5

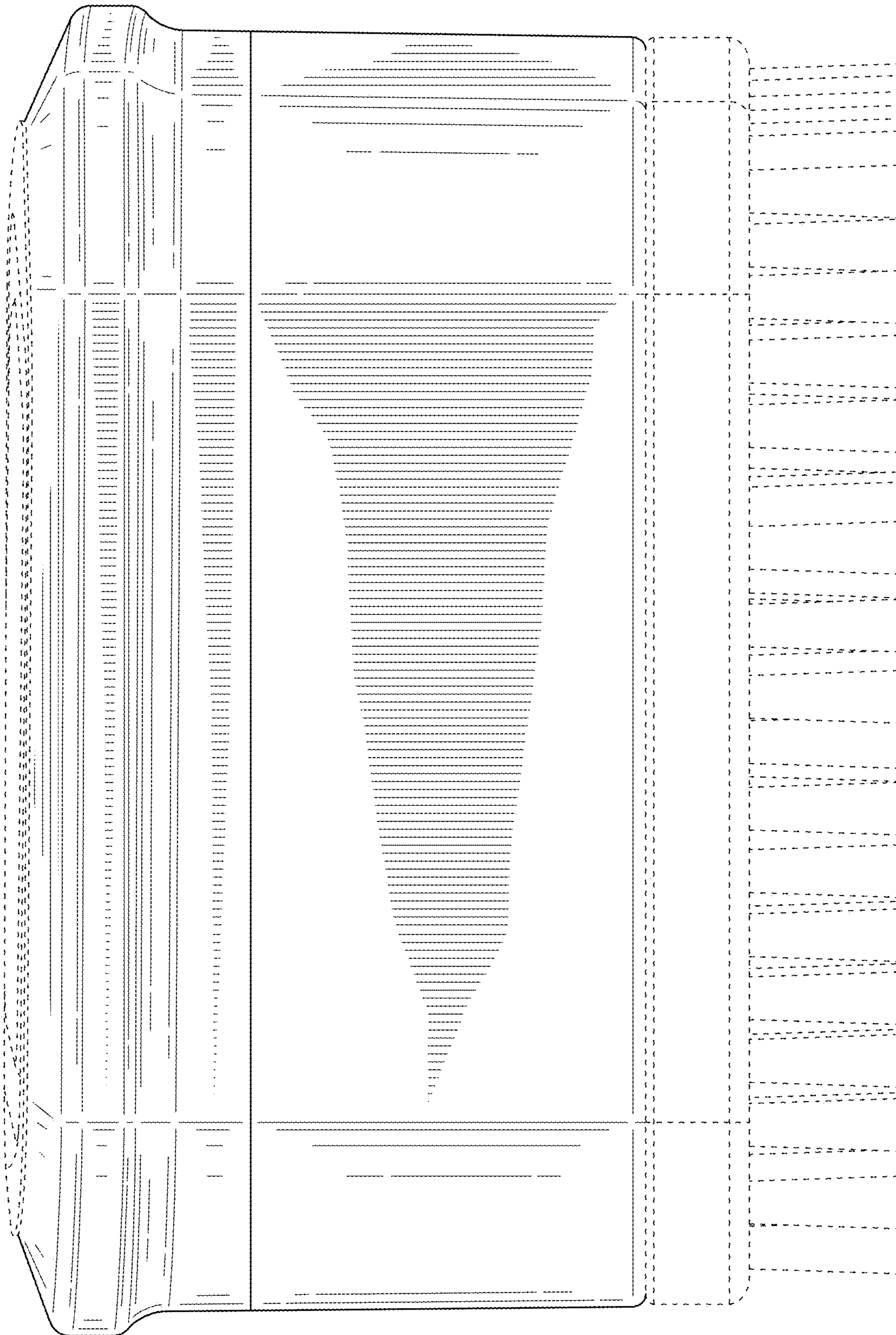


FIG. 6

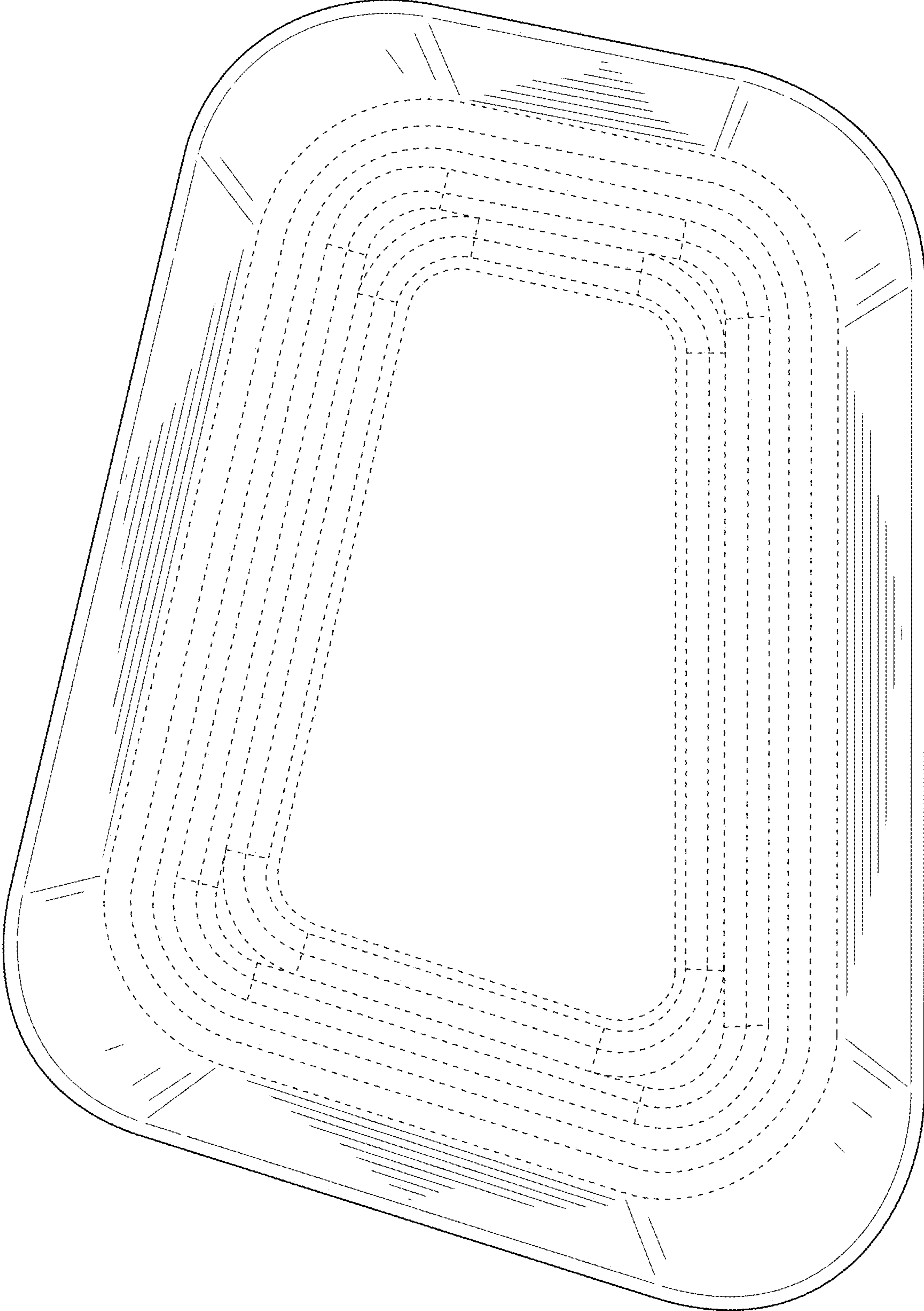


FIG. 7

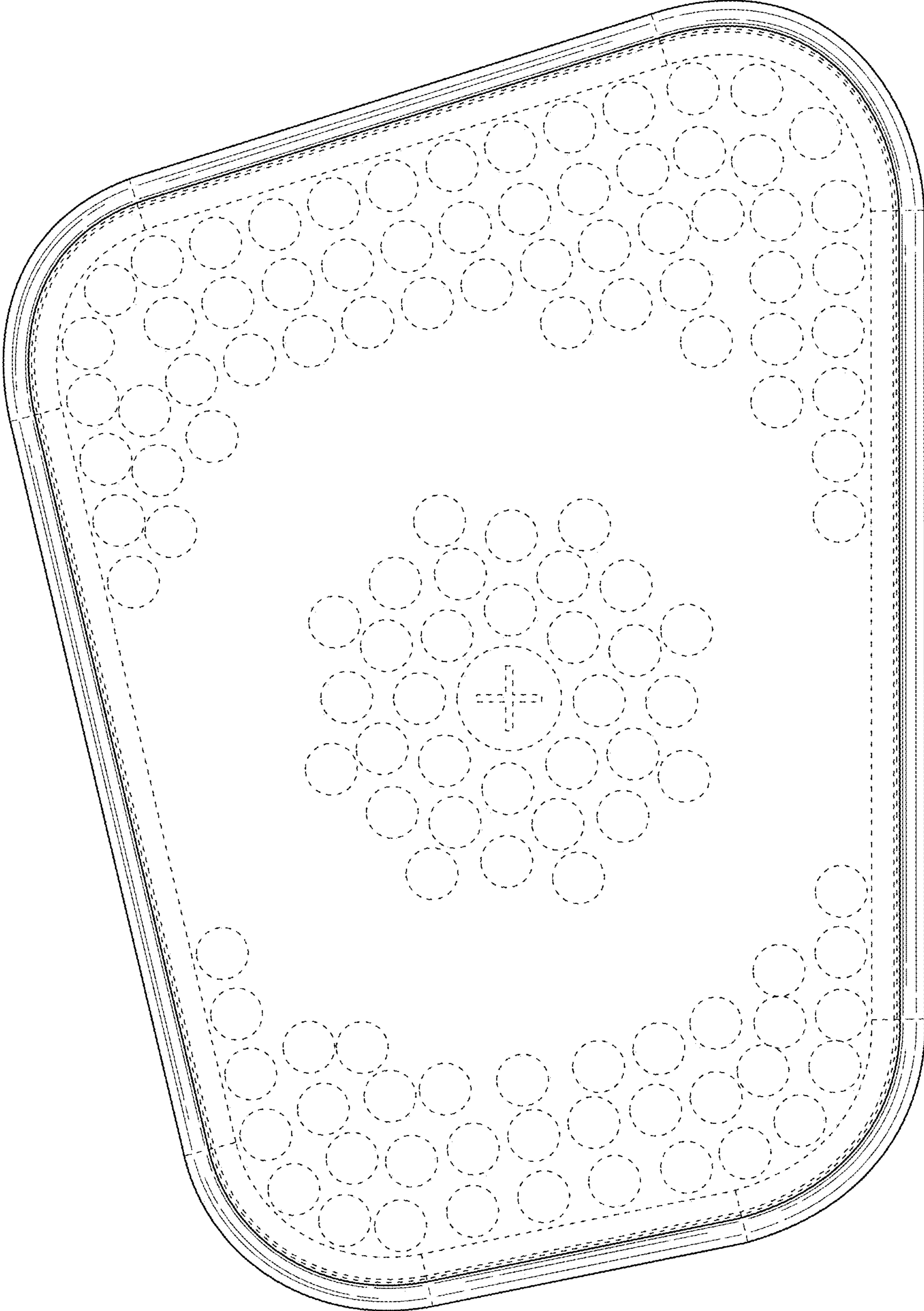


FIG. 8