



US00D909063S

(12) **United States Design Patent** (10) **Patent No.:** **US D909,063 S**
Loudenslager et al. (45) **Date of Patent:** **** Feb. 2, 2021**

(54) **BAG**
(71) Applicant: **YETI Coolers, LLC**, Austin, TX (US)
(72) Inventors: **John Loudenslager**, Austin, TX (US);
Alex Baires, Austin, TX (US); **Derek G. Sullivan**, Austin, TX (US); **Kyle Edward Rogers**, Austin, TX (US)
(73) Assignee: **YETI Coolers, LLC**, Austin, TX (US)

2,784,757 A 3/1957 Requa
3,102,314 A 9/1963 Alderfer
3,111,735 A 11/1963 Ellis
(Continued)

FOREIGN PATENT DOCUMENTS

CA 170760 7/2017
CA 179459 12/2018
(Continued)

(**) Term: **15 Years**
(21) Appl. No.: **29/682,956**
(22) Filed: **Mar. 8, 2019**

OTHER PUBLICATIONS

Yeti, "Daytrip Lunch Bag", Cached from Jul. 10, 2019. (https://www.yeti.com/en_US/daytrip-lunch-bag/YDT.html) (Year: 2019).*
(Continued)

(51) **LOC (13) Cl.** **03-01**
(52) **U.S. Cl.**
USPC **D3/290; D7/607**
(58) **Field of Classification Search**
USPC D3/273, 276, 278, 283, 284, 285, 289,
D3/290, 301, 900, 243, 245, 217, 901,
D3/205; D7/607, 335, 601
CPC .. A45C 11/20; A45C 1/02; A45C 3/04; A45C
5/005
See application file for complete search history.

Primary Examiner — April Rivas
(74) *Attorney, Agent, or Firm* — Banner & Witcoff, Ltd.

(57) **CLAIM**

The ornamental design for a bag, as shown and described.

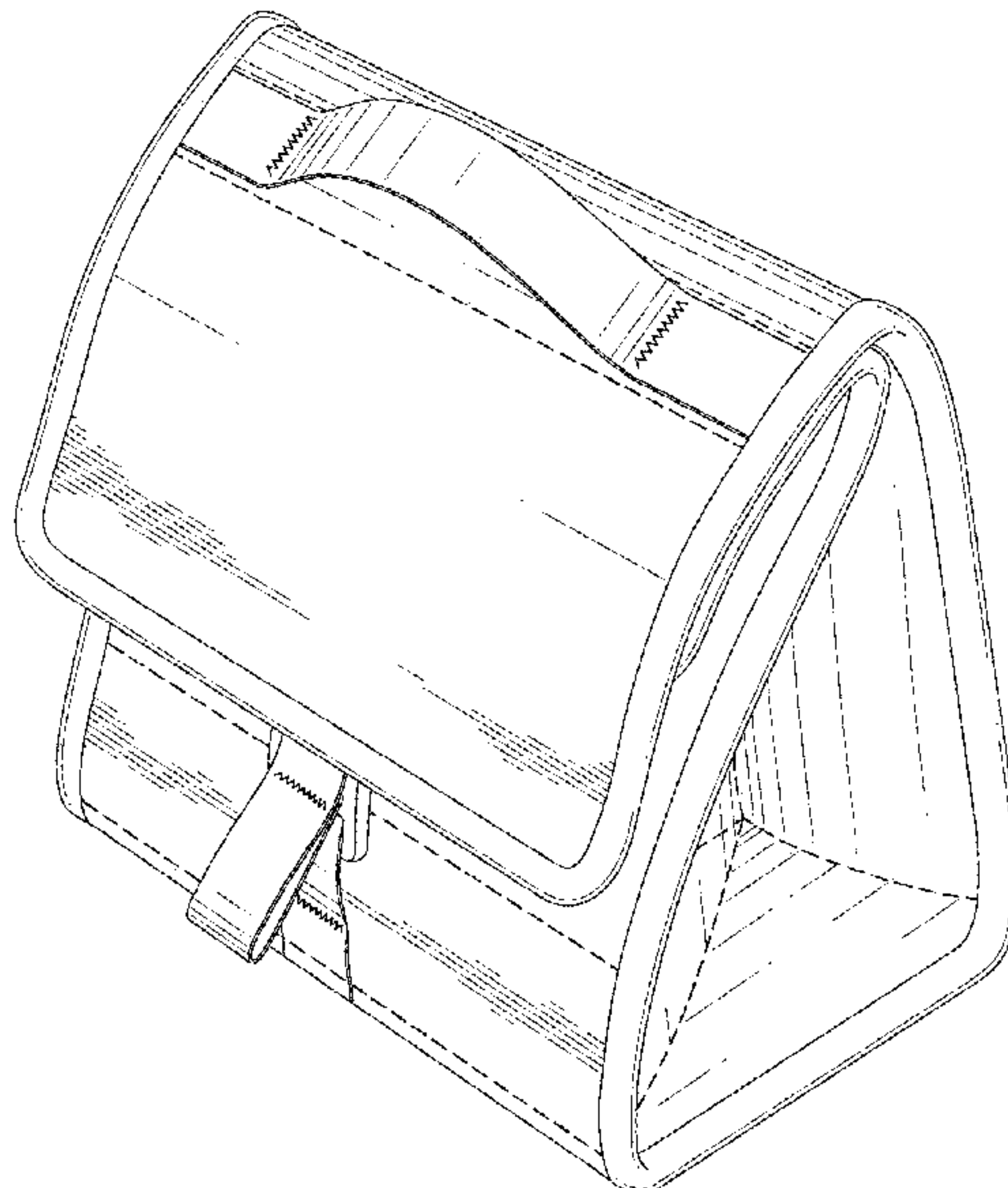
DESCRIPTION

FIG. 1 is a top, front, right perspective view of a bag showing our new design;
FIG. 2 is a top, front, right perspective view of an alternative claimed configuration of a bag thereof;
FIG. 3 is a top, front, right perspective view of an alternative claimed configuration of a bag thereof;
FIG. 4 is a front view thereof;
FIG. 5 is a rear view thereof;
FIG. 6 is a left side view thereof;
FIG. 7 is a right side view thereof;
FIG. 8 is a top view thereof; and,
FIG. 9 is a bottom view thereof.
The even-length broken lines and zig-zag lines represent stitching and form part of the claimed design.

(56) **References Cited**
U.S. PATENT DOCUMENTS

1,631,371 A 6/1927 Greubel
1,671,385 A 5/1928 Strayer
1,712,109 A 5/1929 Hammer
1,809,696 A 6/1931 Heilweil
1,899,696 A 2/1933 Freedman
1,942,246 A 1/1934 Johaneson
1,986,057 A 1/1935 Hackworth
2,304,528 A 12/1942 Bafia
2,496,296 A 2/1950 Lobl
2,513,575 A 7/1950 Lombard
2,522,480 A 9/1950 Davis
2,627,097 A 2/1953 Ellis
2,672,232 A 3/1954 Kessell, Jr.

1 Claim, 9 Drawing Sheets



(56)

References Cited

U.S. PATENT DOCUMENTS

3,161,932	A	12/1964	Russell		6,468,624	B1	10/2002	Fujisawa et al.
3,455,359	A	7/1969	Schweizer		6,470,705	B2	10/2002	Bride-Flynn
3,716,091	A	2/1973	Gaines		6,505,385	B2	1/2003	Grunberger
3,749,301	A	7/1973	Pecker		D472,773	S	4/2003	Samartgis
3,827,019	A	7/1974	Serbu		D478,782	S	8/2003	Li
3,831,986	A	8/1974	Kobayashi		6,601,403	B1	8/2003	Roth et al.
3,998,304	A	12/1976	Edgerton, Jr. et al.		D482,529	S	11/2003	Hardigg et al.
4,033,013	A	7/1977	Peterson		6,646,864	B2	11/2003	Richardson
D256,097	S	7/1980	Amberg		6,659,274	B2	12/2003	Enners
4,213,549	A	7/1980	Hibbard		D485,069	S	1/2004	Parker
4,258,493	A	3/1981	Kettlestrings et al.		6,698,608	B2	3/2004	Parker et al.
4,399,595	A	8/1983	Yoon et al.		6,722,784	B2	4/2004	Breil, Jr.
4,421,150	A	12/1983	Masters		6,742,354	B1	6/2004	Watts
4,489,770	A	12/1984	Reich, II		6,749,551	B2	6/2004	Metzler et al.
D284,254	S	6/1986	Carlson		6,779,199	B1	8/2004	O'Dea et al.
4,716,947	A	1/1988	Haddock		6,821,018	B1	11/2004	Denko
4,738,390	A	4/1988	Brennan		6,915,934	B2	7/2005	Hassett
D304,008	S	10/1989	Hornung		6,929,125	B1	8/2005	Seamans
4,905,857	A	3/1990	Her		6,955,381	B2	10/2005	Parker et al.
5,010,988	A	4/1991	Brown		D513,123	S	12/2005	Richardson et al.
5,030,013	A	7/1991	Kramer		D513,451	S	1/2006	Richardson et al.
5,148,580	A	9/1992	Dyckow		D514,808	S	2/2006	Morine et al.
5,181,555	A	1/1993	Chruniak		D516,309	S	3/2006	Richardson et al.
5,196,818	A	3/1993	Anderson		D516,807	S	3/2006	Richardson et al.
5,216,900	A	6/1993	Jones		D516,870	S	3/2006	Martinez et al.
5,226,540	A	7/1993	Bradbury		7,017,776	B1	3/2006	Hupp
5,237,838	A	8/1993	Merritt-Munson		7,033,657	B2	4/2006	Martin
5,244,136	A	9/1993	Collaso		D523,242	S	6/2006	Hardigg et al.
D343,288	S	1/1994	Chao		D527,226	S	8/2006	Maldonado
5,286,112	A *	2/1994	Bible	A45C 13/10 24/306	D529,344	S	10/2006	Maldonado
D350,689	S	9/1994	Chao		7,187,261	B2	3/2007	Cassar
5,354,131	A *	10/1994	Mogil	A45C 7/0086 150/109	D543,700	S	6/2007	Parker et al.
5,370,622	A	12/1994	Livingston et al.		D550,210	S	9/2007	Polany et al.
5,372,429	A	12/1994	Beaver, Jr. et al.		7,299,652	B2	11/2007	Gagnon
5,505,305	A	4/1996	Scholz et al.		7,301,303	B1	11/2007	Hulden
D372,173	S	7/1996	Fukuda et al.		D573,844	S	7/2008	Hanson et al.
5,540,366	A	7/1996	Coomber		7,400,917	B2	7/2008	Wood et al.
5,604,960	A	2/1997	Good		D577,261	S	9/2008	Wang
5,645,205	A	7/1997	Kennedy		D578,409	S	10/2008	Clark
D383,360	S *	9/1997	Melk	D3/276	7,496,195	B2	2/2009	Kramer
D386,611	S	11/1997	Sheu		7,513,633	B2	4/2009	Ermeti
5,682,653	A	11/1997	Berglof et al.		D592,910	S	5/2009	Hanson et al.
5,706,940	A	1/1998	Amarello		D598,647	S	8/2009	Kertesz et al.
5,746,638	A	5/1998	Shiraishi		D601,383	S	10/2009	Shah
5,797,683	A	8/1998	Gunzi et al.		D602,740	S	10/2009	Urquiola
5,816,709	A	10/1998	Demus		D607,701	S	1/2010	Pedrazzi et al.
5,844,772	A	12/1998	Lee et al.		D609,005	S	2/2010	Dolce et al.
D406,730	S *	3/1999	Freese	D7/607	D609,056	S	2/2010	Pierce
5,875,795	A	3/1999	Bouix		D609,470	S	2/2010	Guyon et al.
D411,419	S *	6/1999	Wyant	D7/607	D617,149	S	6/2010	Olivari
D411,446	S	6/1999	Cautereels		7,730,739	B2	6/2010	Fuchs
D412,267	S	7/1999	Anderson		D620,249	S	7/2010	Yu
D421,371	S *	3/2000	Fair	D7/607	D620,376	S	7/2010	Peyser et al.
6,067,813	A	5/2000	Smith		D620,707	S	8/2010	Mogil
6,068,119	A	5/2000	Derr et al.		D623,406	S	9/2010	Yu
6,073,789	A	6/2000	Lundblade		D623,853	S	9/2010	Yu
6,092,707	A	7/2000	Bowes, Jr.		7,793,782	B2	9/2010	Chuang
6,112,959	A	9/2000	Townsend		D627,199	S	11/2010	Pruchnicki
D432,789	S *	10/2000	Nottingham	D3/290	D630,013	S	1/2011	Yu
6,149,305	A	11/2000	Fier		D630,939	S	1/2011	Peters et al.
6,179,677	B1	1/2001	Dornier		D632,074	S	2/2011	Chan et al.
6,223,551	B1	5/2001	Mitchell		7,896,199	B2	3/2011	Kaczmarek
6,224,258	B1	5/2001	Dodson		D644,024	S	8/2011	Jobert
6,226,842	B1	5/2001	Wong		8,005,251	B2	8/2011	Chan
6,301,754	B1	10/2001	Grunberger et al.		D648,935	S	11/2011	Wickrama
6,336,340	B1	1/2002	Laby		D653,915	S	2/2012	George
6,361,210	B2	3/2002	Denko		D664,425	S	7/2012	Krupa
D460,898	S	7/2002	Wang		8,209,995	B2	7/2012	Kieling et al.
6,412,116	B1	7/2002	Clark		8,223,997	B2	7/2012	Wilson, II et al.
6,422,032	B1	7/2002	Greene		D668,119	S	10/2012	Everson
6,427,475	B1	8/2002	DeFelice et al.		D670,906	S	11/2012	Du
6,434,801	B2	8/2002	Grunberger		D677,511	S	3/2013	Gray
D463,276	S	9/2002	Piscopo et al.		8,399,764	B2	3/2013	Klosky
					8,403,975	B2	3/2013	Hadas
					D680,386	S *	4/2013	Butters
					8,424,680	B2	4/2013	Fair et al.
					8,434,617	B1	5/2013	Wang
					D688,449	S	8/2013	Schinasi
					8,550,714	B2	10/2013	Ben-Shushan et al.

(56)

References Cited

U.S. PATENT DOCUMENTS

D693,573 S 11/2013 Holefleisch
 8,573,002 B2 11/2013 Ledoux et al.
 D694,521 S 12/2013 Robinson et al.
 D695,015 S 12/2013 Robinson et al.
 D695,568 S 12/2013 Hayes
 8,607,536 B2 12/2013 Bailey et al.
 D701,456 S 3/2014 Farley et al.
 D703,493 S 4/2014 de Ste. Croix et al.
 D707,042 S * 6/2014 Ruzzenente D3/232
 D708,848 S 7/2014 Zwetzig
 D709,333 S 7/2014 Stamatopoulos
 D709,334 S 7/2014 Stamatopoulos
 8,770,402 B2 7/2014 Bergreen et al.
 D712,654 S * 9/2014 Wang D3/243
 D716,551 S * 11/2014 Taylor D3/299
 D718,529 S * 12/2014 Wang D3/290
 D727,107 S 4/2015 Parodi, Jr.
 D734,643 S 7/2015 Boroski
 D734,761 S 7/2015 Ballou et al.
 D736,569 S 8/2015 Bronwasser et al.
 9,122,941 B2 9/2015 Hoobler et al.
 9,139,352 B2 9/2015 Seiders et al.
 9,167,876 B2 10/2015 Yamaguchi et al.
 D745,272 S 12/2015 Slimane
 9,220,328 B2 12/2015 Magness
 9,264,089 B2 2/2016 Tages
 D751,814 S 3/2016 Louboutin
 9,290,313 B2 3/2016 De Lesseux et al.
 9,307,315 B2 4/2016 McKeough
 9,334,087 B2 5/2016 Cho et al.
 D758,805 S 6/2016 Myoung
 9,392,855 B2 7/2016 Taylor
 D763,569 S 8/2016 Tal
 D763,629 S 8/2016 Swartz et al.
 D764,791 S 8/2016 Patel
 9,444,506 B2 9/2016 Lai et al.
 D780,524 S 3/2017 Jacobsen
 D787,821 S 5/2017 Liu
 D795,574 S * 8/2017 Pfister D3/245
 D811,823 S * 3/2018 Kandel D7/607
 D824,664 S 8/2018 Munie
 D825,913 S 8/2018 Barlier
 D827,299 S 9/2018 Vickery
 D835,949 S 12/2018 Triska et al.
 D847,499 S 5/2019 Dumas
 D850,100 S 6/2019 Oviedo-Polanco
 D854,316 S * 7/2019 Stockinger D3/225
 D861,338 S 10/2019 Seiders et al.
 2001/0051378 A1 12/2001 Radmacher et al.
 2002/0012480 A1 1/2002 Konno
 2004/0165332 A1 8/2004 Beson
 2004/0173484 A1 9/2004 Bates et al.
 2004/0183313 A1 9/2004 Sherman et al.
 2004/0237266 A1 12/2004 Wang
 2005/0097711 A1 5/2005 Halstead
 2005/0116003 A1 6/2005 Butler et al.
 2005/0145302 A1 7/2005 Mutterer et al.
 2005/0230465 A1 10/2005 Metzler et al.
 2005/0262871 A1 12/2005 Bailey-Weston
 2006/0003709 A1 1/2006 Wood
 2006/0006969 A1 1/2006 Cassar
 2006/0016841 A1 1/2006 Shurm
 2006/0072857 A1 4/2006 Revels
 2007/0051785 A1 3/2007 Roessiger
 2007/0215663 A1 9/2007 Chongson et al.
 2007/0232109 A1 10/2007 Parker et al.
 2007/0261977 A1 11/2007 Sakai
 2007/0261978 A1 11/2007 Sanderson
 2008/0037907 A1 2/2008 Suskind
 2008/0077289 A1 3/2008 Fujishima
 2008/0272872 A1 11/2008 Fiedler
 2009/0078731 A1 3/2009 Yi
 2009/0114557 A1 5/2009 Nelson
 2009/0184143 A1 7/2009 Witt et al.
 2009/0208146 A1 8/2009 Kirby

2010/0025442 A1 2/2010 Shurm
 2010/0040307 A1 2/2010 Lien
 2010/0140861 A1 6/2010 Kubota et al.
 2010/0181220 A1 7/2010 Dasara
 2010/0270317 A1 * 10/2010 Kieling A45C 11/20
 220/592.25
 2010/0298025 A1 11/2010 Spence
 2010/0310194 A1 12/2010 Archambault
 2011/0255805 A1 * 10/2011 Wang A45C 13/1038
 383/26
 2012/0096669 A1 4/2012 Treacy
 2012/0137637 A1 6/2012 Gillis
 2012/0216374 A1 8/2012 Manuello
 2013/0077897 A1 3/2013 Li
 2013/0221048 A1 8/2013 Revels et al.
 2013/0230260 A1 9/2013 Maynard et al.
 2013/0242481 A1 9/2013 Kim et al.
 2013/0243354 A1 9/2013 Lytle
 2014/0066144 A1 3/2014 Hong
 2014/0138378 A1 5/2014 Lequeux
 2014/0138384 A1 5/2014 O'Brien
 2014/0158558 A1 6/2014 Ye
 2014/0209011 A1 7/2014 Byun
 2014/0254956 A1 9/2014 Buell, III
 2014/0262658 A1 9/2014 Wegener
 2014/0360892 A1 12/2014 Lin
 2015/0037799 A1 2/2015 Takagi
 2015/0225164 A1 8/2015 Seiders et al.
 2015/0239631 A1 8/2015 Kinskey
 2015/0305402 A1 10/2015 Bourgoin
 2016/0021997 A1 1/2016 Gonzalez
 2016/0023808 A1 1/2016 Traverso et al.
 2016/0130040 A1 5/2016 Yeh
 2016/0198823 A1 7/2016 Bergreen et al.
 2016/0235174 A1 8/2016 Lenci et al.
 2016/0269517 A1 9/2016 Alexander
 2017/0036844 A1 2/2017 Seiders et al.
 2017/0280937 A1 10/2017 Mogil et al.
 2018/0044094 A1 2/2018 Seiders et al.
 2018/0252458 A1 9/2018 Furneaux et al.

FOREIGN PATENT DOCUMENTS

CH 686058 A5 12/1995
 CN 3466138 8/2005
 CN 101168090 A 4/2008
 CN 201104571 8/2008
 CN 201153601 Y 11/2008
 CN 101313791 A 12/2008
 CN 300906331 4/2009
 CN 201274836 7/2009
 CN 301000008 9/2009
 CN 301000009 9/2009
 CN 201393583 Y 2/2010
 CN 301808202 1/2012
 CN 301985365 7/2012
 CN 302208071 12/2012
 CN 302623610 11/2013
 CN 302860668 7/2014
 CN 303514632 12/2015
 CN 105564794 5/2016
 CN 205512895 U 8/2016
 CN 205512896 U 8/2016
 CN 205568112 9/2016
 CN 304011530 1/2017
 CN 106858960 6/2017
 CN 304291753 9/2017
 CN 304338166 11/2017
 CN 304351331 11/2017
 CN 304351332 11/2017
 CN 304361367 11/2017
 CN 304383056 12/2017
 CN 304423326 12/2017
 CN 304457891 1/2018
 CN 304457892 1/2018
 CN 304457893 1/2018
 CN 304555914 3/2018
 CN 207186216 4/2018
 CN 304668083 6/2018

(56)

References Cited

FOREIGN PATENT DOCUMENTS		
CN	304713490	7/2018
CN	304719918	7/2018
CN	304781354	8/2018
CN	304781362	8/2018
CN	304782359	8/2018
CN	304785773	8/2018
CN	304785791	8/2018
CN	304790835	8/2018
CN	304823679	9/2018
CN	304854892	10/2018
CN	304877475	11/2018
CN	304890011	11/2018
CN	304915313	11/2018
CN	304948871	12/2018
DE	202009000499 U1	3/2009
EM	000164199-0001	7/2004
EM	000285028-0001	6/2005
EM	000434253-0001	1/2006
EM	000596333-0007	10/2006
EM	001504127-0001	4/2009
EM	001519406-0001	6/2009
EM	001133383-0002	1/2010
EM	001900705-0002	9/2011
EM	001922204-0001	11/2011
EM	002047233-0001	5/2012
EM	002225706-0001	5/2013
EM	002294322-0002	8/2013
EM	001294060-0002	10/2013
EM	001294060-0003	10/2013
EM	002540948-0003	9/2014
EM	002541185-0001	9/2014
EM	002541185-0003	9/2014
EM	002515247-0001	10/2014
EM	002515247-0002	10/2014
EM	002550715-0002	10/2014
EM	002630814-0002	2/2015
EM	002676536-0001	6/2015
EM	002838573-0001	11/2015
EM	003117324-0009	5/2016
EM	003122464-0001	5/2016
EM	004109049-0001	7/2017
EM	00530559-0001	7/2018
EM	005303559-0003	7/2018
EM	005511102-0001	8/2018
EM	005511102-0002	8/2018
EM	005511102-0003	8/2018
EM	005511102-0004	8/2018
EM	005618204-0001	8/2018
EM	005887585-0006	1/2019
EM	006501607-0001	5/2019
EP	0922399 A2	6/1999
EP	1683736 A2	7/2006
EP	1864916 A1	12/2007
EP	2571391 A2	3/2013
FR	20105616-001	4/2011
GB	2045117	6/1995
GB	4012617	10/2009
JP	349112604 U	9/1974
JP	S49112604 U	9/1974
JP	S58039009 A	3/1983
JP	S59070508 U	5/1984
JP	S6076076 U	5/1985
JP	S61073224 U	5/1986
JP	S62058606 A	3/1987

JP	S62134836 U	8/1987
JP	S63068865 U	5/1988
JP	H01126956 U	8/1989
JP	1992074010 U	6/1992
JP	H04074010 U	6/1992
JP	H06021210 A	1/1994
JP	H06021210 U	3/1994
JP	H06076076 U	10/1994
JP	H08502427 A	3/1996
JP	H9328149 A	12/1997
JP	H126956 A	1/1999
JP	H11147572 A	6/1999
JP	H11269713 A	10/1999
JP	3160109 B2	4/2001
JP	2001267164 A	9/2001
JP	2003071978 A	3/2003
JP	2005335769 A	12/2005
JP	2005343482 A	12/2005
JP	2006123987 A	5/2006
JP	4074010 B2	4/2008
JP	D1355521	4/2009
JP	D1376358	12/2009
JP	2010030644 A	2/2010
JP	D2010-8653	12/2010
JP	2011121631 A	6/2011
JP	D2012-551	8/2012
JP	D1487395	1/2014
JP	D1500514	6/2014
JP	D1619280	12/2018
KR	20020046244 A	6/2002
KR	200341520 Y1	2/2004
KR	20070089473 A	8/2007
KR	3020070006269	12/2007
KR	3020070006271	2/2008
KR	3020100039256	4/2012
KR	3020120016755	9/2012
KR	3020140014014	11/2014
TR	652921-0001	7/2013
WO	9408541 A1	4/1994
WO	D032527-029	5/1995
WO	D038554-029	2/1997
WO	0108527 A1	2/2001
WO	08025905 A2	3/2008
WO	D082059-001	11/2013
WO	D091354-003	3/2016
WO	D099344-004	2/2018
WO	D099344-034	2/2018
WO	D099990-006	3/2018
WO	2018165426 A1	9/2018
WO	D103345-001	4/2019

OTHER PUBLICATIONS

Amazon.in, "Sistema Small Fold up Lunch Bag Assorted Colours", First on sale Aug. 16, 2017. (<https://www.amazon.in/Sistema-Small-Lunch-Assorted-Colours/dp/B0057WDVR0>) (Year: 2017).*

Bead Bath & Beyond, "PackIt® Freezable Lunch Bag", First review "5 years ago" Estimated Apr. 23, 2015. Accessed on Apr. 23, 2020. (<https://www.bedbathandbeyond.com/store/product/packit-reg-freezable-lunch-bag/3273618>) (Year: 2015).*

Jun. 19, 2018—(WO) International Search Report and Written Opinion—App. No. PCT/US18/21546.

Jan. 15, 2015—(CN) Office Action—App No. 201180031291.5. ISR dated May 6, 2020: JJR.

* cited by examiner

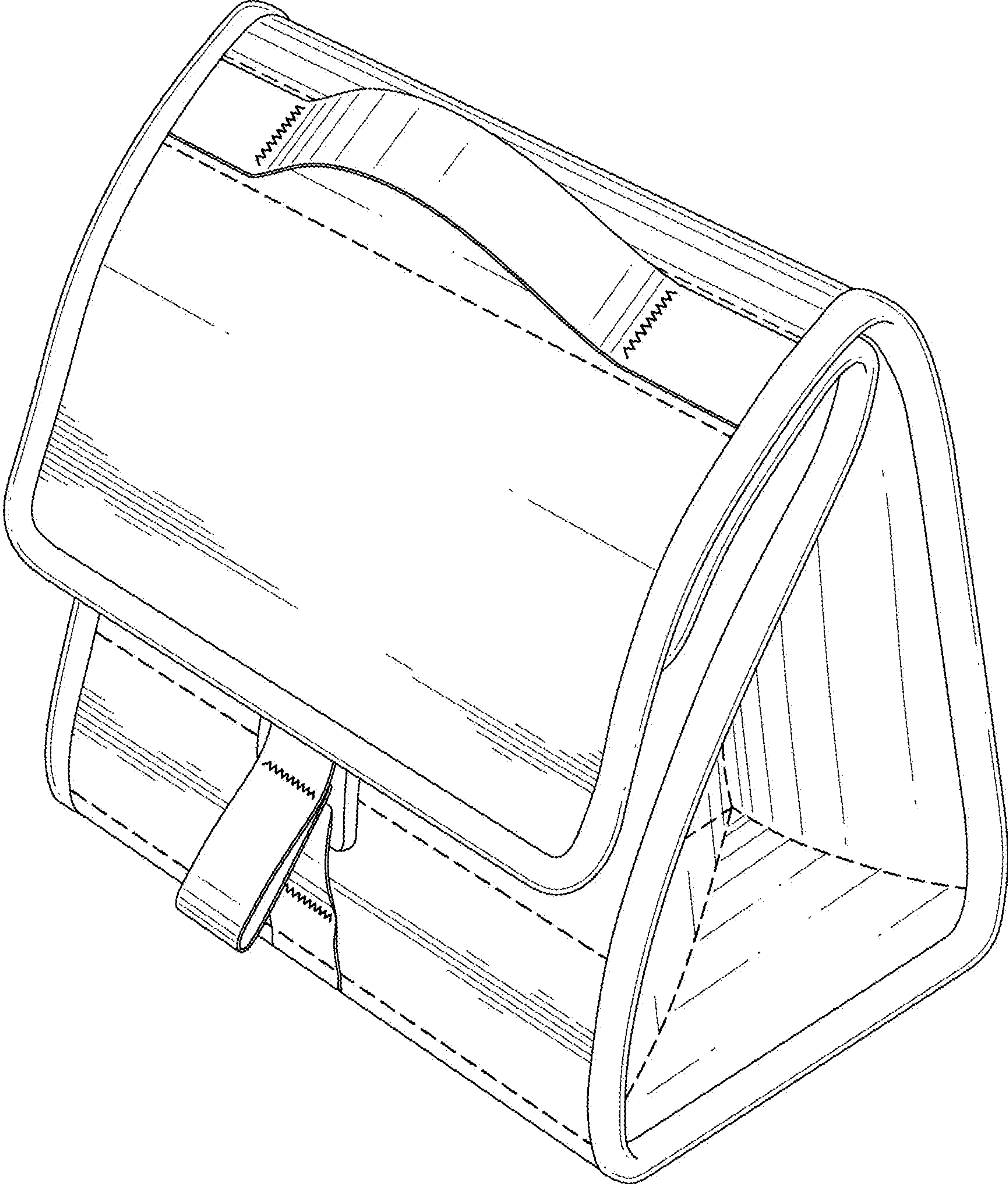


FIG. 1

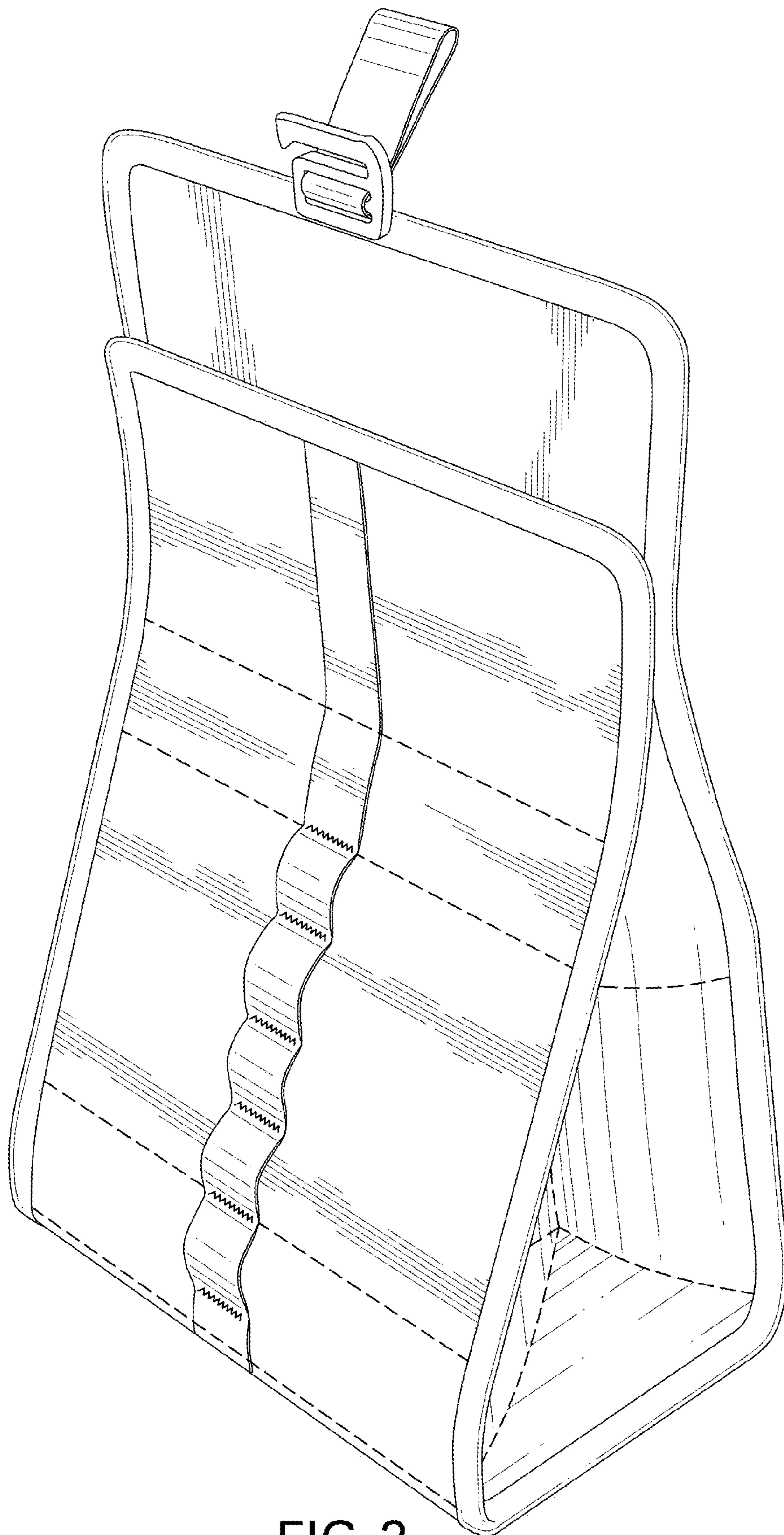


FIG. 2

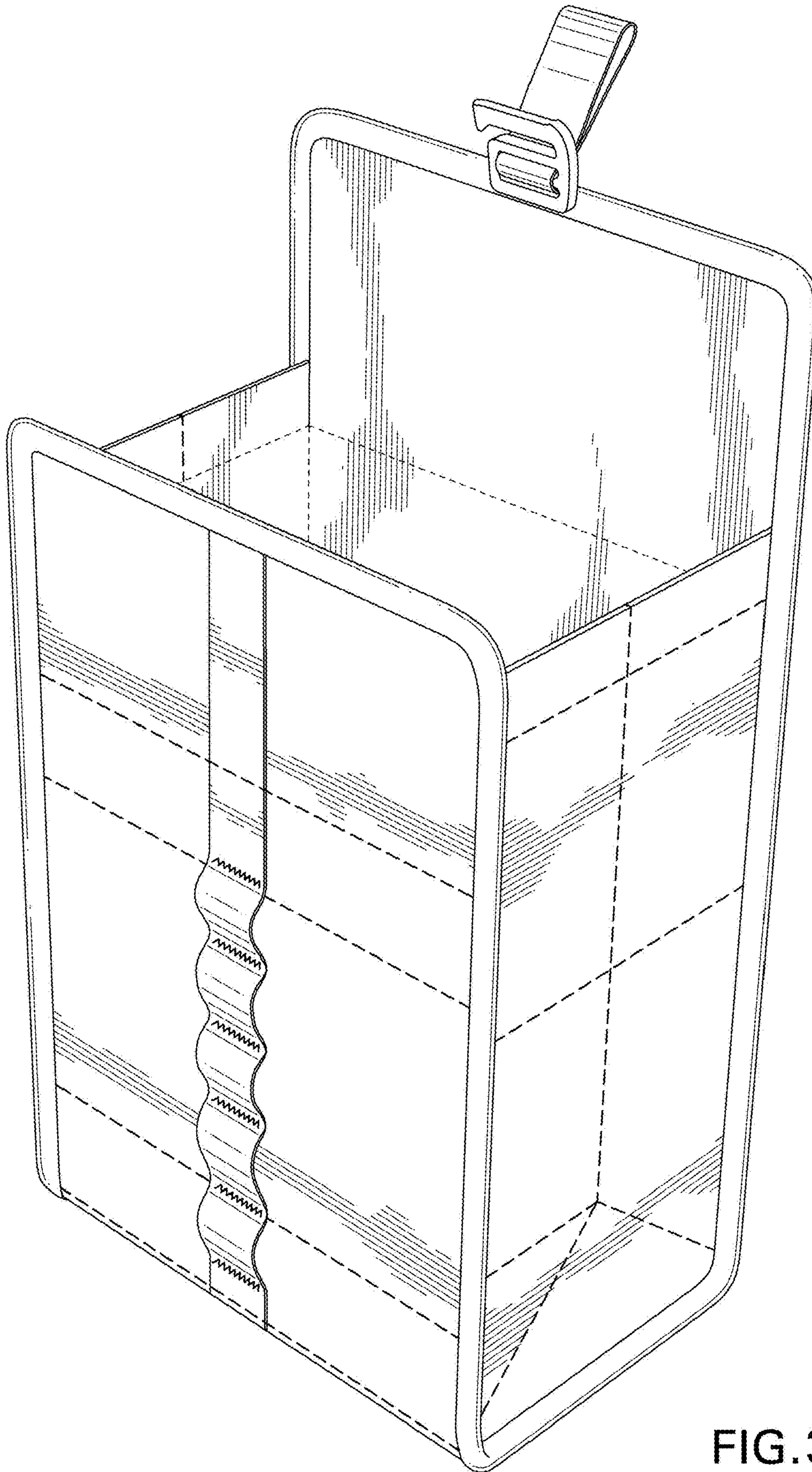


FIG. 3

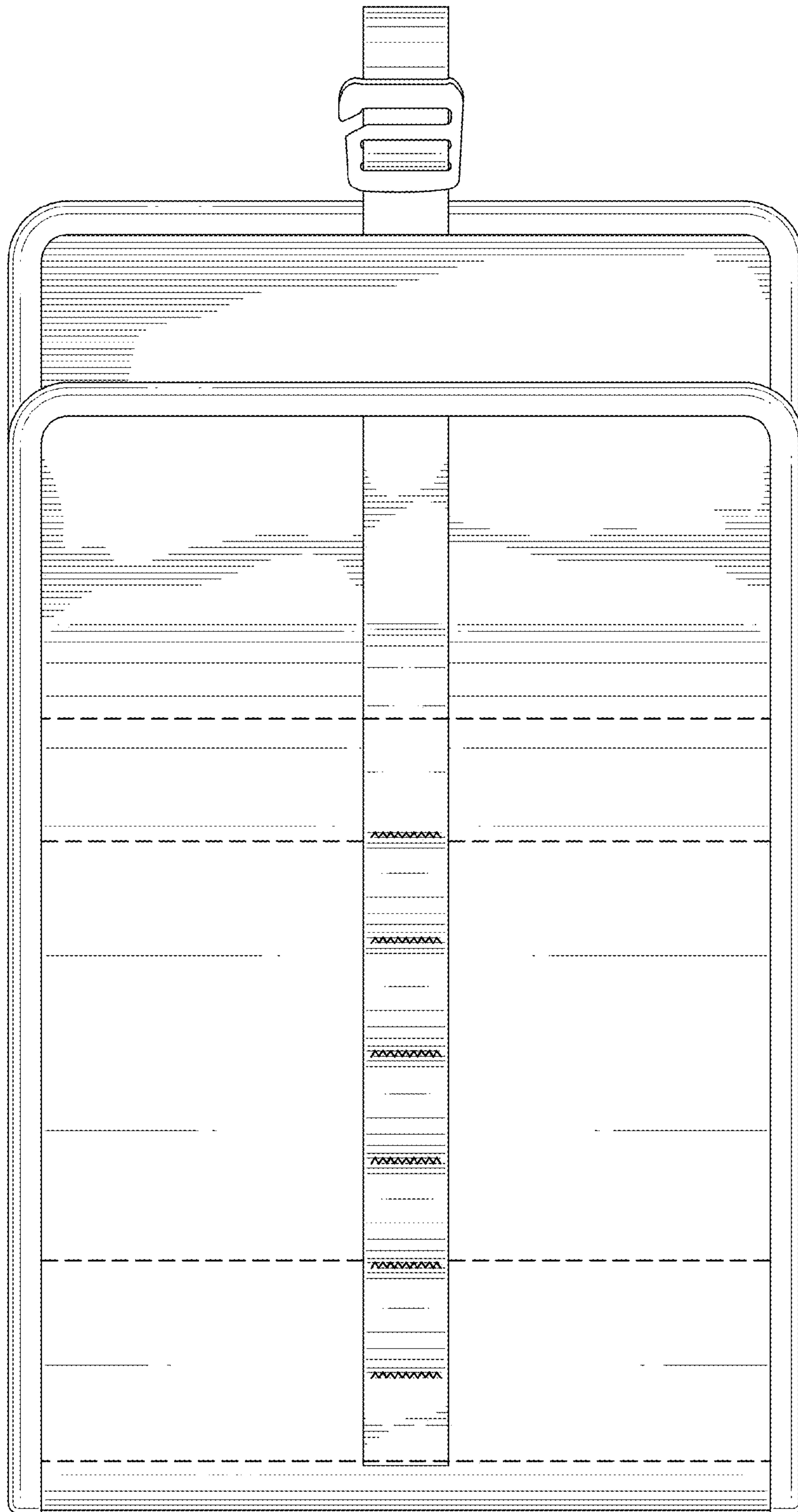


FIG.4

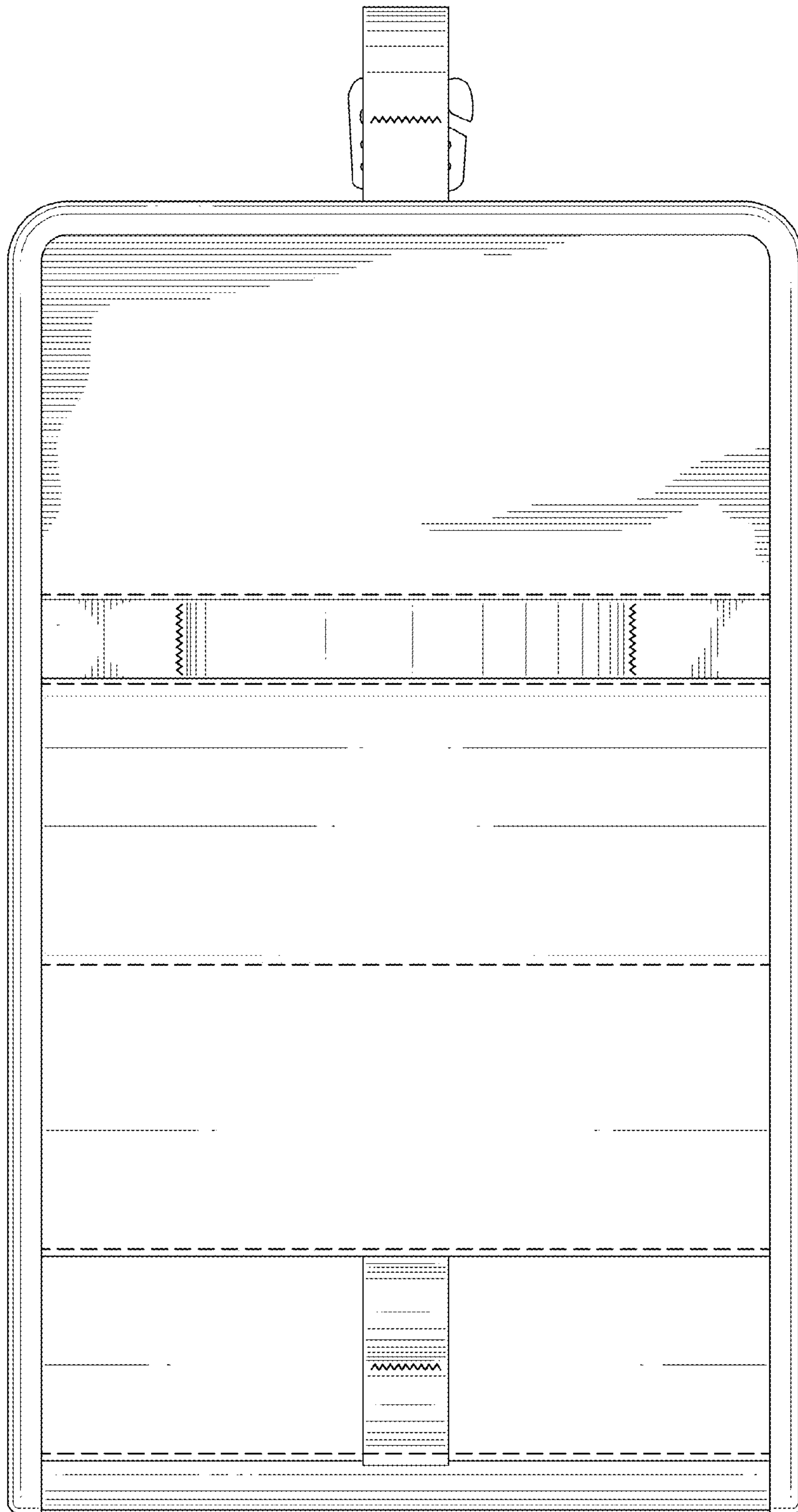


FIG. 5

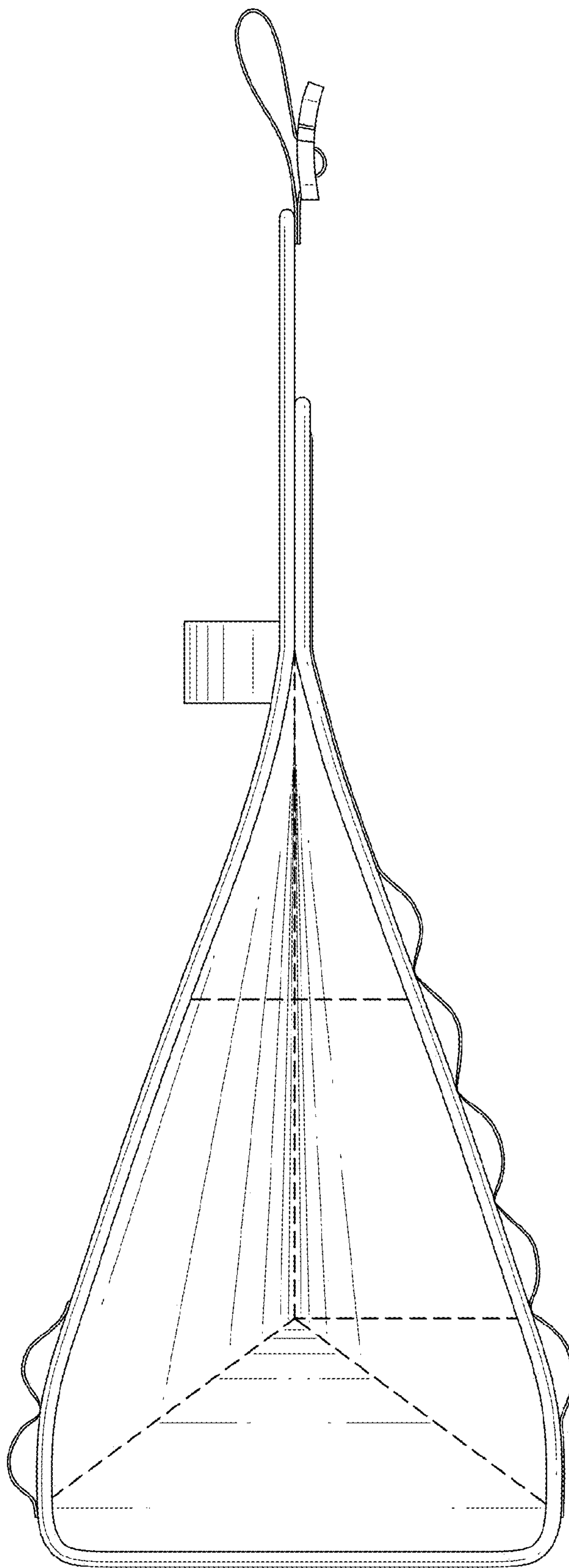


FIG. 6

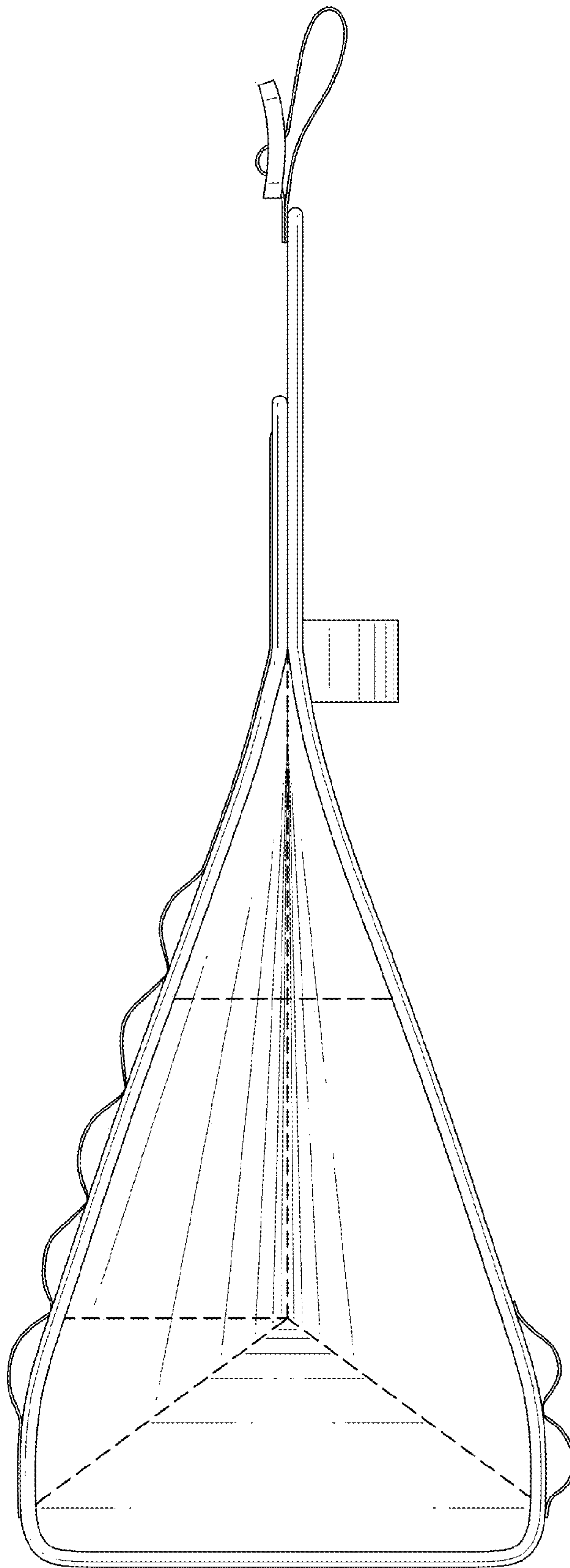


FIG. 7

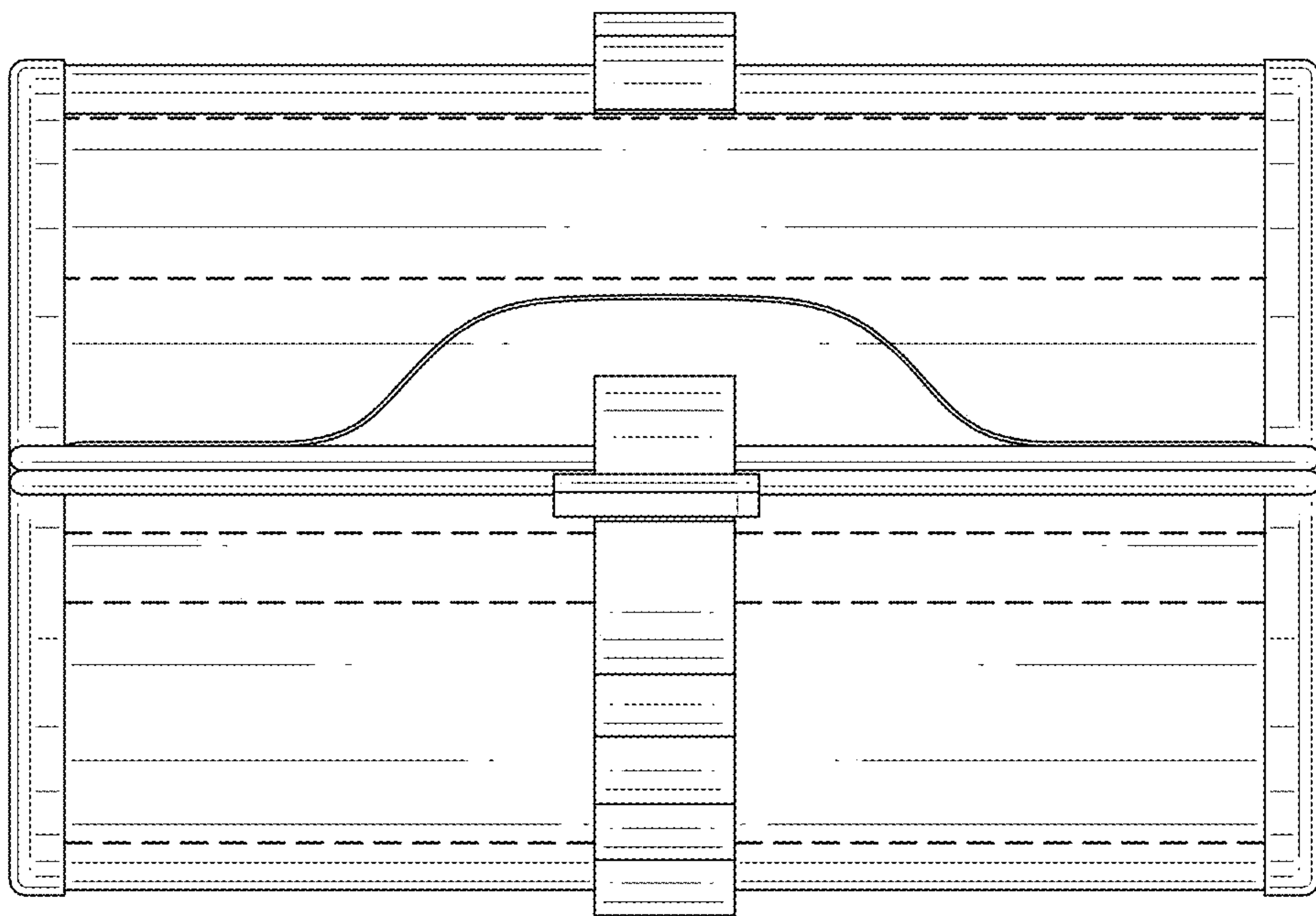


FIG. 8

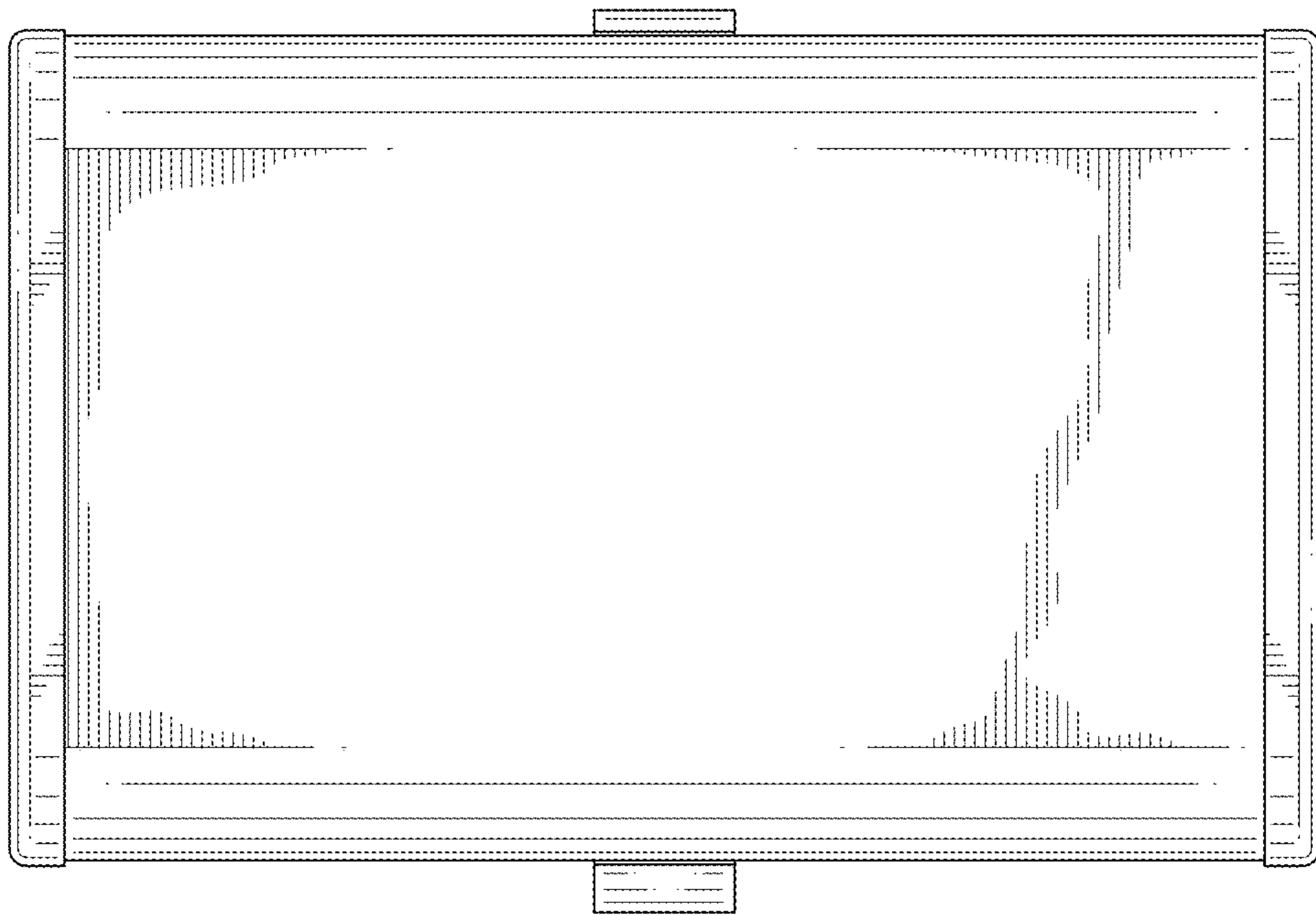


FIG. 9