



US00D909061S

(12) **United States Design Patent** (10) **Patent No.:** **US D909,061 S**  
**Korey et al.** (45) **Date of Patent:** **\*\* \*Feb. 2, 2021**

(54) **LUGGAGE**

(71) Applicant: **JRSK, Inc.**, New York, NY (US)

(72) Inventors: **Stephanie Korey**, New York, NY (US);  
**Jennifer Rubio**, New York, NY (US);  
**Bret Recor**, New York, NY (US);  
**Charles Weber**, New York, NY (US);  
**Seth Murray**, New York, NY (US);  
**Ahyoung Park**, New York, NY (US)

(73) Assignee: **JRSK, Inc.**, New York, NY (US)

(\*) Notice: This patent is subject to a terminal disclaimer.

(\*\*) Term: **15 Years**

(21) Appl. No.: **29/697,881**

(22) Filed: **Jul. 11, 2019**

**Related U.S. Application Data**

(63) Continuation of application No. 29/609,837, filed on Jul. 6, 2017, now Pat. No. Des. 877,507, which is a continuation of application No. 14/935,335, filed on Nov. 6, 2015, now Pat. No. 10,219,599.

(51) **LOC (13) Cl.** ..... **03-01**

(52) **U.S. Cl.**  
USPC ..... **D3/279**

(58) **Field of Classification Search**  
USPC ..... D3/272, 273, 276, 279, 289, 318, 321, D3/322, 328  
CPC .... A45C 5/00; A45C 5/03; A45C 5/04; A45C 2009/005; A45C 13/262; A45C 13/28  
See application file for complete search history.

(56) **References Cited**

**U.S. PATENT DOCUMENTS**

6,050,374 A \* 4/2000 Johnston ..... A45C 5/14 16/405  
D711,648 S \* 8/2014 Chen ..... D3/279

D714,056 S \* 9/2014 Weng ..... D3/279  
D714,057 S \* 9/2014 Hou ..... D3/279  
D740,557 S \* 10/2015 Liao ..... D3/279  
9,380,845 B2 \* 7/2016 Sheikh ..... A45C 5/03  
D771,948 S \* 11/2016 Bhatnagar ..... D3/318  
D805,771 S \* 12/2017 Newson ..... D3/279

(Continued)

**FOREIGN PATENT DOCUMENTS**

JP 2007185407 7/2007

**OTHER PUBLICATIONS**

QVC, "Heys 3-piece Hardside Spinner Luggage Set w/Duffel", First reviewed Jun. 1, 2013. (<https://www.qvc.com/Heys-3-piece-Hardside-Spinner-Luggage-Set-w/Duffel.product.F10978.html>) (Year: 2013).\*

*Primary Examiner* — April Rivas

(74) *Attorney, Agent, or Firm* — Proskauer Rose LLP

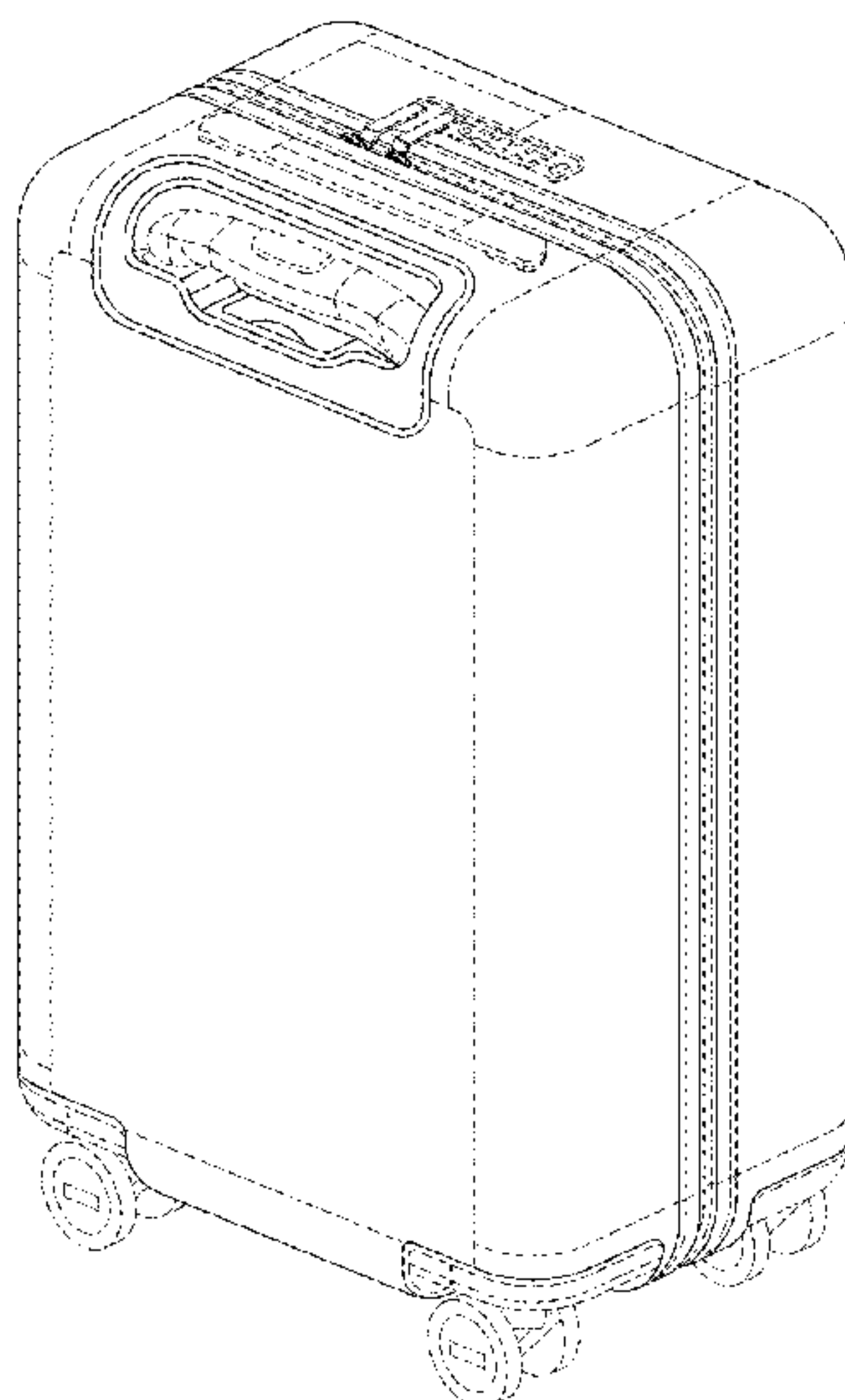
(57) **CLAIM**

The ornamental design for luggage, as shown and described.

**DESCRIPTION**

FIG. 1 is a rear perspective view of a piece of luggage showing our new, original and ornamental design embodied therein, in accordance with the present invention;  
FIG. 2 is a front perspective view of the piece of luggage of FIG. 1;  
FIG. 3 is a front elevational view of the piece of luggage of FIG. 1;  
FIG. 4 is a rear elevational view of the piece of luggage of FIG. 1; and,  
FIG. 5 is a bottom view of the piece of luggage of FIG. 1. Any dash-dash broken lines in the drawings represent unclaimed portions of the piece of luggage and form no part of the claimed design.

**1 Claim, 5 Drawing Sheets**



(56)

**References Cited**

U.S. PATENT DOCUMENTS

10,034,527 B2 \* 7/2018 Korey ..... A45C 13/03  
D834,313 S \* 11/2018 Teng ..... D3/289  
2014/0238801 A1 \* 8/2014 Lai ..... A45C 7/0031  
190/105  
2015/0021133 A1 \* 1/2015 Xu ..... A45C 5/03  
190/18 A  
2015/0144448 A1 \* 5/2015 Chen ..... A45C 13/262  
190/115  
2015/0348347 A1 \* 12/2015 Diz ..... E05B 39/005  
340/5.61  
2016/0022002 A1 \* 1/2016 Selvi ..... A45C 5/14  
190/18 A  
2016/0029757 A1 \* 2/2016 Karl ..... A45C 5/14  
190/18 A  
2017/0332753 A1 \* 11/2017 Lai ..... A45C 5/03

\* cited by examiner

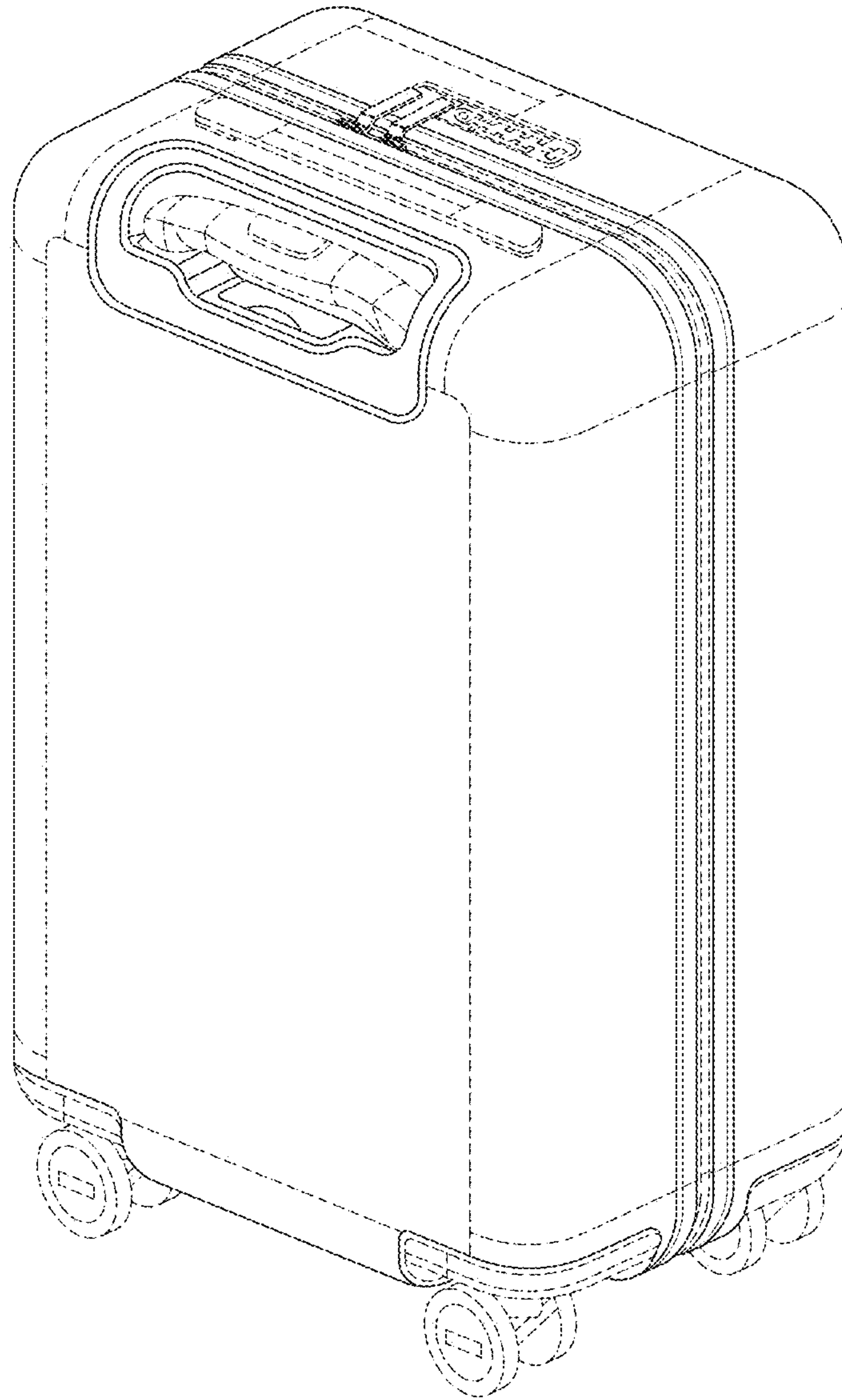


FIG. 1

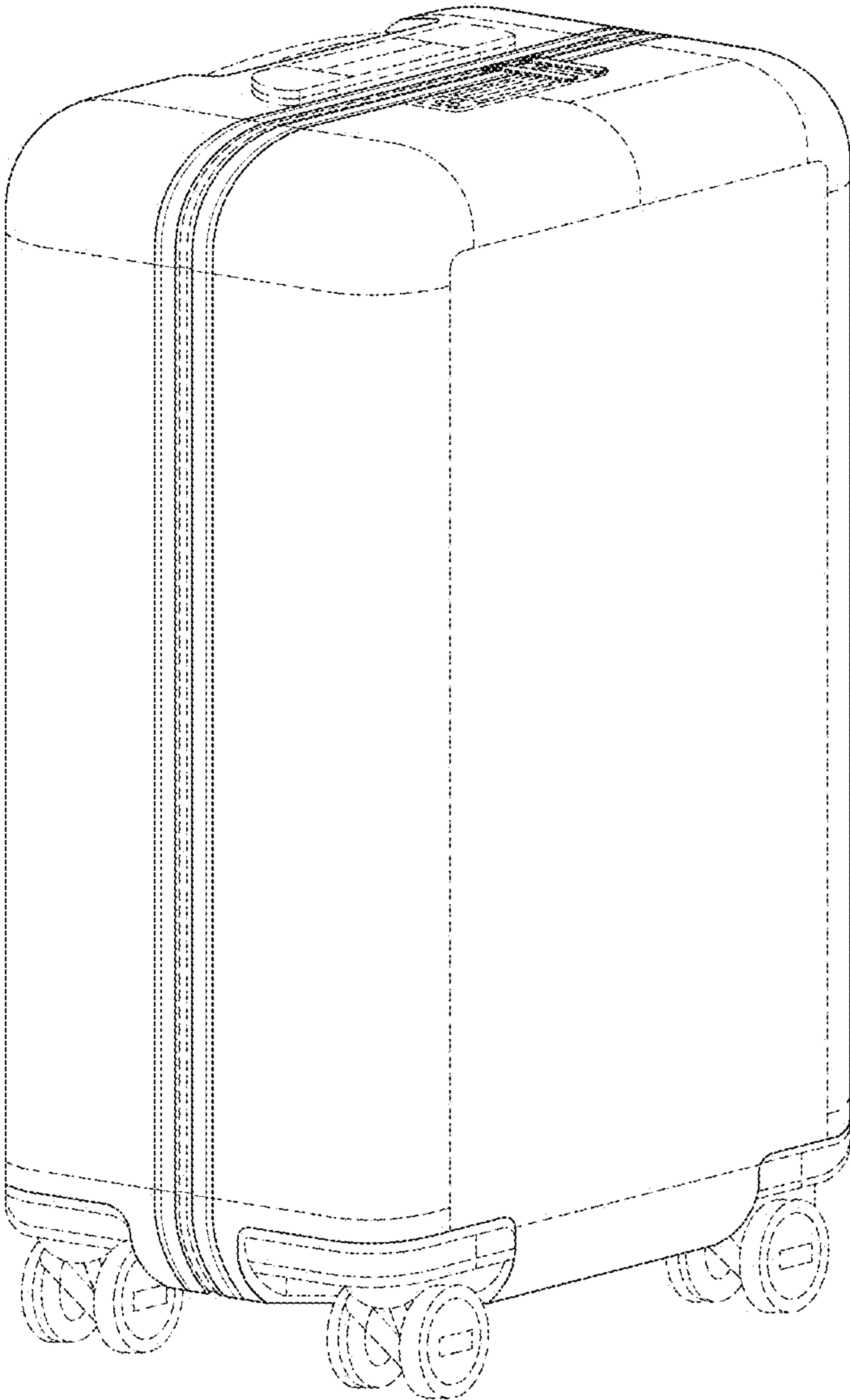


FIG. 2

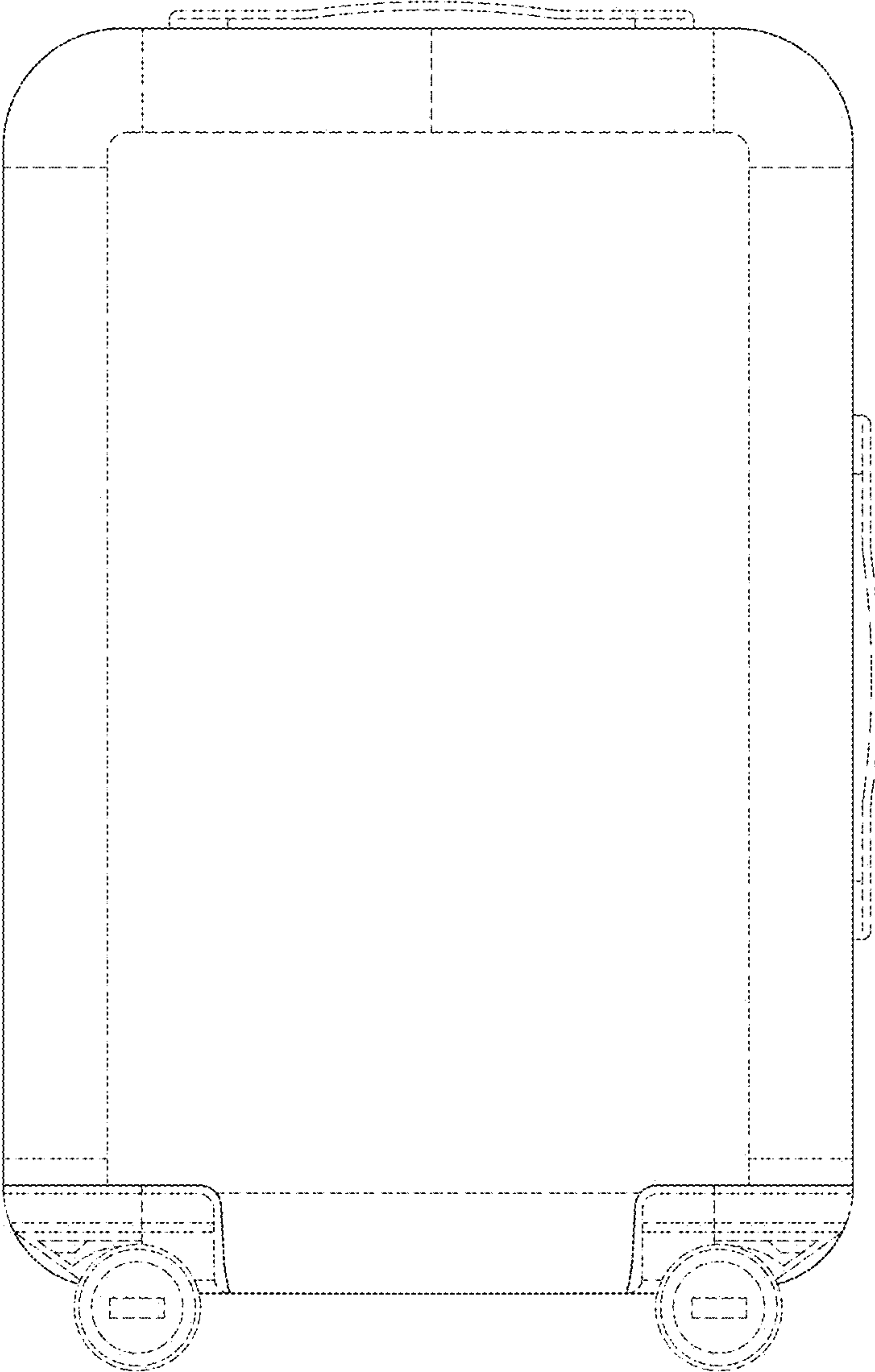


FIG. 3



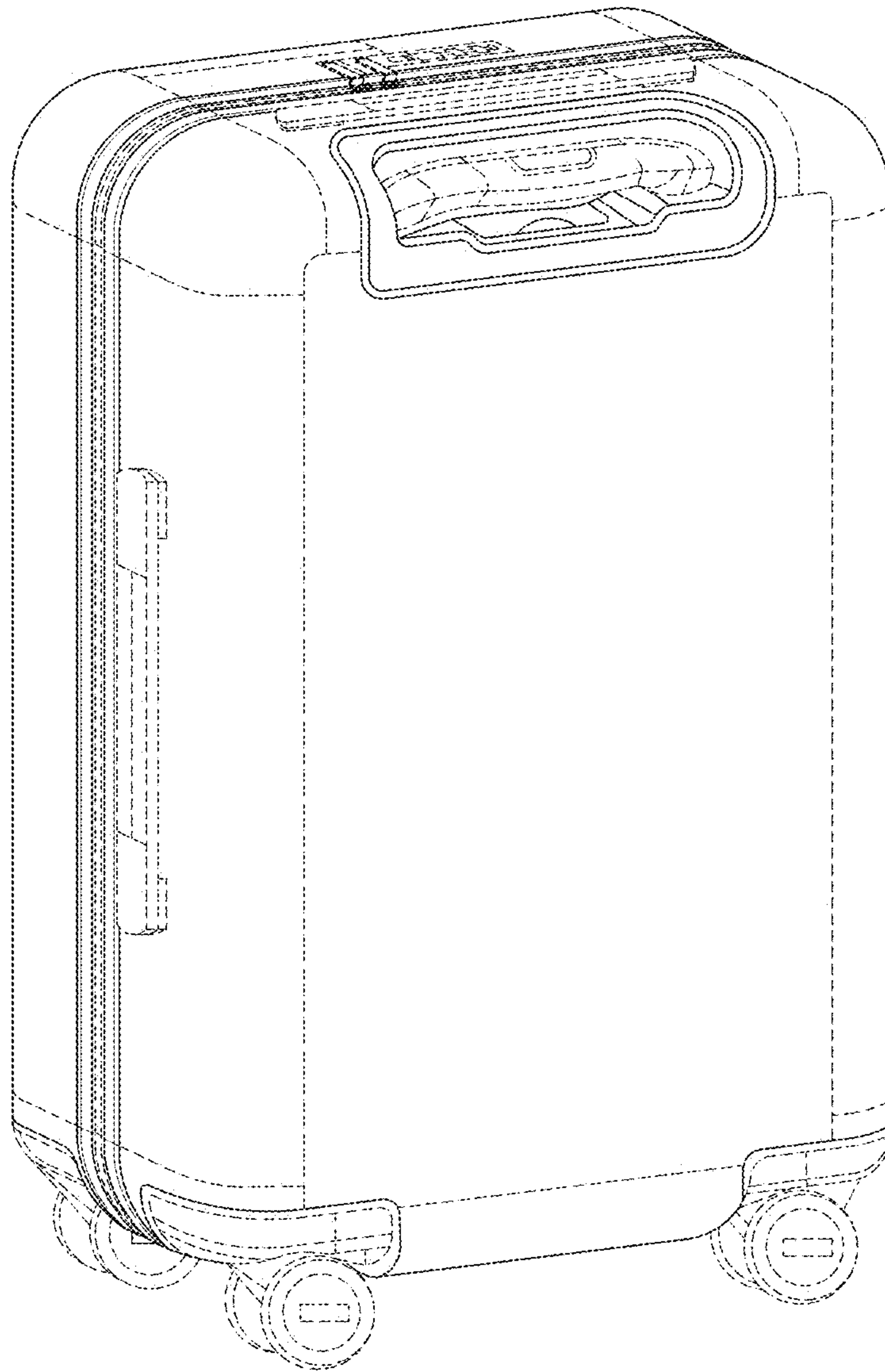


FIG. 4

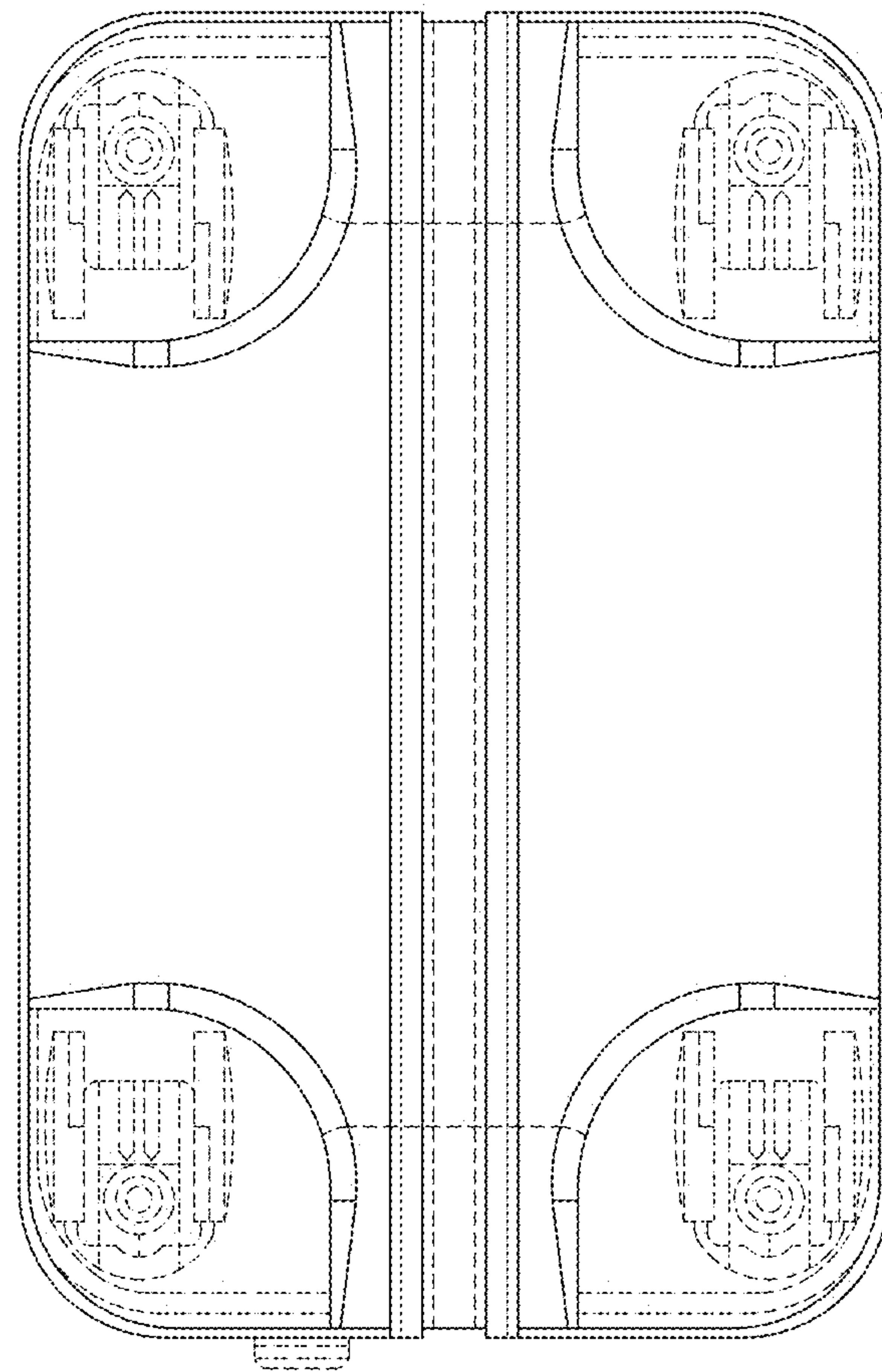


FIG. 5