



US00D909060S

(12) **United States Design Patent**
Dooling

(10) **Patent No.:** **US D909,060 S**

(45) **Date of Patent:** **** Feb. 2, 2021**

- (54) **SELECTIVELY SEALABLE EVACUABLE STORAGE BAG**
- (71) Applicant: **Daniel J. Dooling**, Fenton, MI (US)
- (72) Inventor: **Daniel J. Dooling**, Fenton, MI (US)
- (**) Term: **15 Years**
- (21) Appl. No.: **29/685,563**
- (22) Filed: **Mar. 29, 2019**
- (51) **LOC (13) Cl.** **03-01**
- (52) **U.S. Cl.**
USPC **D3/262**
- (58) **Field of Classification Search**
USPC D3/262, 201, 228, 269, 271.9, 273;
D22/108
CPC F41C 33/06; F41C 33/02; F41C 33/0209;
F41C 33/0227; F41A 35/02; A45C
7/00-02
See application file for complete search history.

4,756,456 A *	7/1988	Schauer	F41C 33/06 206/317
D351,944 S *	11/1994	Faichney	D3/226
D376,474 S *	12/1996	Marks	D3/262
D389,643 S *	1/1998	Stratton	D3/254
D404,914 S *	2/1999	Revels	D3/262
D448,560 S *	10/2001	Kolpin	D3/262
D448,561 S *	10/2001	Kolpin	D3/262
D487,633 S *	3/2004	Leary	D3/260
D520,235 S *	5/2006	Blaschke	D3/262
D562,549 S *	2/2008	Bodnar	D3/222
D636,180 S *	4/2011	Sayre	D3/262
D640,768 S *	6/2011	Boggan	D22/199
D652,469 S *	1/2012	Sayre	D22/108
D746,586 S *	1/2016	Tusting	D3/222
D749,844 S *	2/2016	Littleton	D3/262
D784,014 S *	4/2017	Scranton	D3/262
D798,593 S *	10/2017	McCoy	D3/262
2003/0106819 A1 *	6/2003	Bennett	F41C 33/06 206/317
2008/0110076 A1 *	5/2008	Bennett	F41A 35/02 42/96

* cited by examiner

Primary Examiner — Mitchell I. Siegel
(74) *Attorney, Agent, or Firm* — North Star IP Law
PLLC; Edmund P. Anderson

(56) **References Cited**

U.S. PATENT DOCUMENTS

1,020,050 A *	3/1912	Padrick	B65D 73/0064 206/349
2,872,960 A *	2/1959	Kolpin	F41C 33/06 206/317
2,913,030 A *	11/1959	Fisher	A01K 97/08 206/317
3,701,371 A *	10/1972	Stackhouse	B65D 65/02 206/317
3,865,166 A *	2/1975	Pedro	A45C 11/00 206/317
4,257,464 A *	3/1981	Binney	F41C 33/06 206/205
D262,416 S *	12/1981	Bianchi	D3/262
4,530,178 A *	7/1985	Rauscher	F41C 33/06 43/26

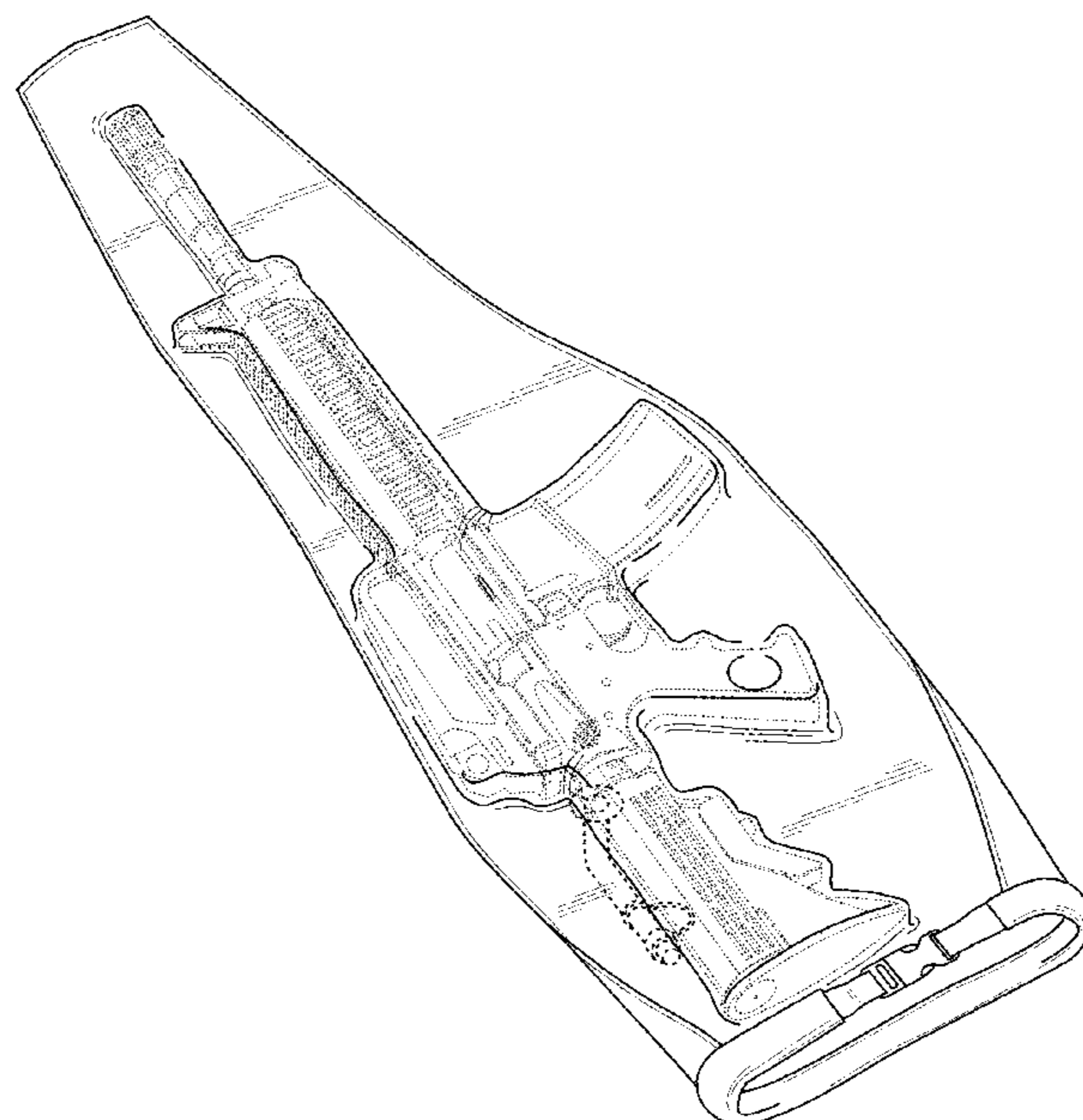
(57) **CLAIM**

The ornamental design for a selectively sealable evacuable storage bag, as shown and described.

DESCRIPTION

FIG. 1 is a perspective view of a selectively sealable evaluable storage bag;
FIG. 2 is a top plan view thereof with the opening of the bag being shown in an alternate position; and,
FIG. 3 is a bottom plan view of FIG. 2.
The broken line showing of the semi-automatic rifle forms no part of the claimed design.

1 Claim, 2 Drawing Sheets



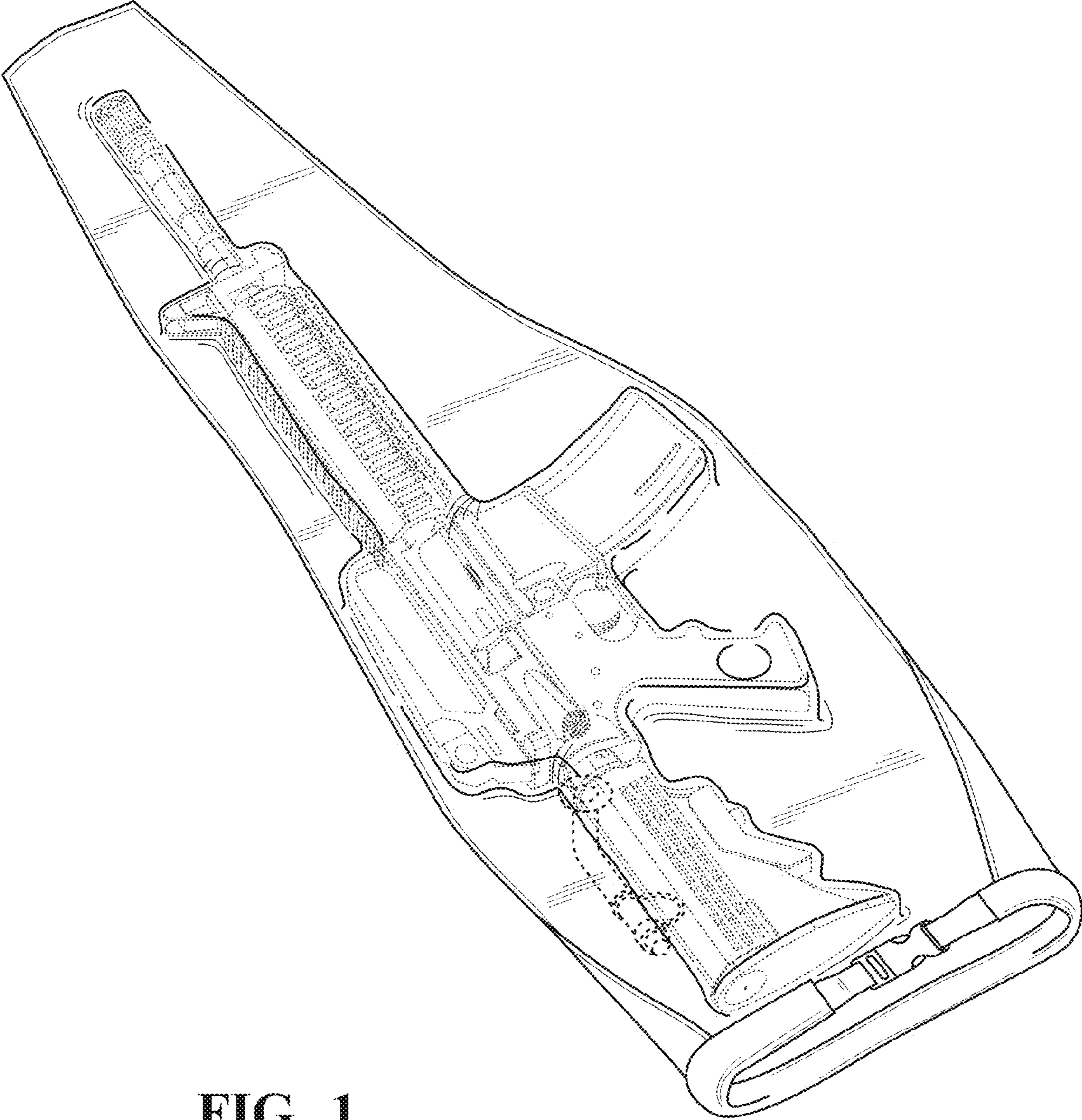


FIG. 1

