



US00D909054S

(12) **United States Design Patent**
Huang

(10) **Patent No.:** **US D909,054 S**

(45) **Date of Patent:** **** Feb. 2, 2021**

- (54) **WAIST PACK**
- (71) Applicant: **shenzhen migic sports co., ltd.**,
Shenzhen (CN)
- (72) Inventor: **Tao Huang**, Zitong (CN)
- (**) Term: **15 Years**
- (21) Appl. No.: **29/704,882**
- (22) Filed: **Sep. 9, 2019**
- (51) **LOC (13) Cl.** **03-01**
- (52) **U.S. Cl.**
USPC **D3/226**
- (58) **Field of Classification Search**
USPC D3/226, 215, 221, 224, 228; 224/219,
224/236, 240–242, 245–246, 250–251,
224/578–579, 660, 674, 677, 680,
224/683–684, 901, 904, 914
CPC ... A01K 97/06; A45F 3/00; A45F 5/00; A45F
5/021; A45F 2003/144; A45F 2200/05;
A41D 13/04; A45C 11/00; A45C 11/22
See application file for complete search history.

- 5,397,040 A * 3/1995 Lee A01K 97/06
224/240
- D426,058 S * 6/2000 Gaines D3/215
- D694,003 S * 11/2013 Pomerantz D3/221
- D863,756 S * 10/2019 Chudy D3/226
- D863,757 S * 10/2019 Li D3/226

* cited by examiner

Primary Examiner — Catherine R Oliver-Garcia

(74) *Attorney, Agent, or Firm* — HYIP

(57) **CLAIM**

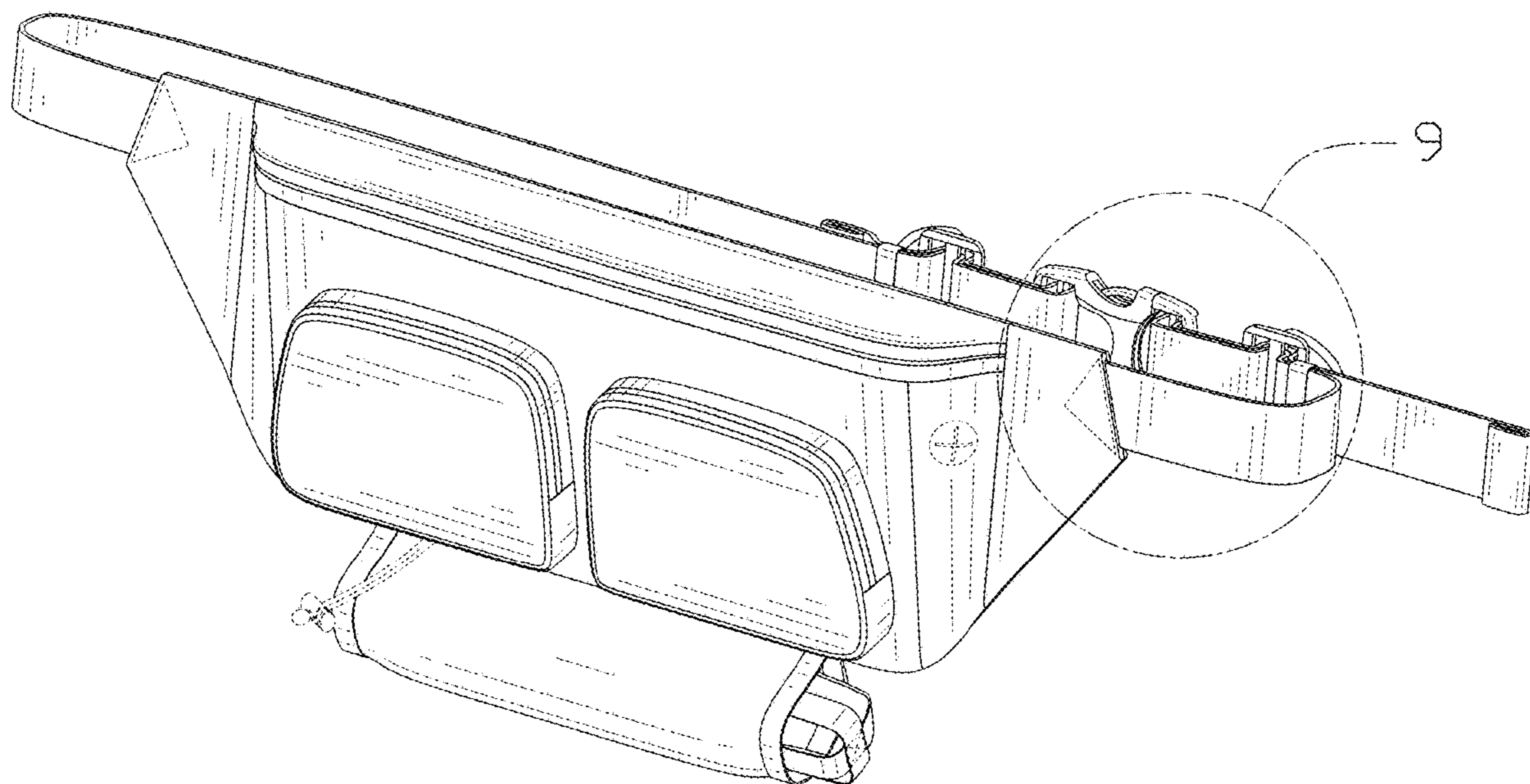
The ornamental design for a waist pack, as shown and described.

DESCRIPTION

FIG. 1 is a first perspective view of a waist pack showing my new design;
 FIG. 2 is a second perspective view thereof;
 FIG. 3 is a front view thereof;
 FIG. 4 is a back view thereof;
 FIG. 5 is a left side view thereof;
 FIG. 6 is a right side view thereof;
 FIG. 7 is a top view thereof;
 FIG. 8 is a bottom view thereof; and,
 FIG. 9 is an enlarged view of the selected portion in FIG. 1.
 The broken lines shown in the drawings depict portions of the waist pack in which the design is embodied that form no part of the claimed design.

- (56) **References Cited**
U.S. PATENT DOCUMENTS
5,201,448 A * 4/1993 Schue B25H 3/00
224/904
D350,025 S * 8/1994 Rolle D3/226

1 Claim, 9 Drawing Sheets



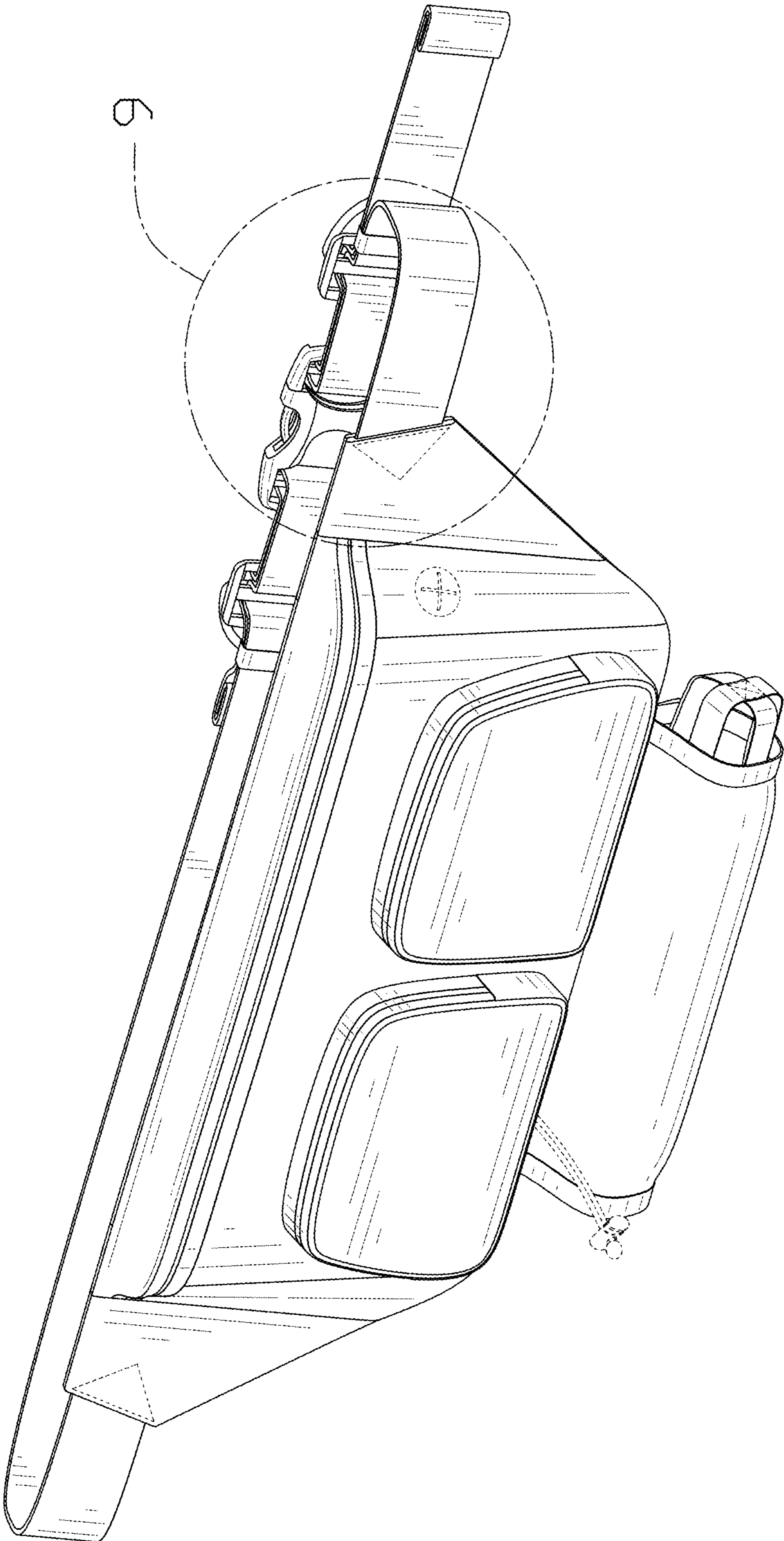


FIG. 1

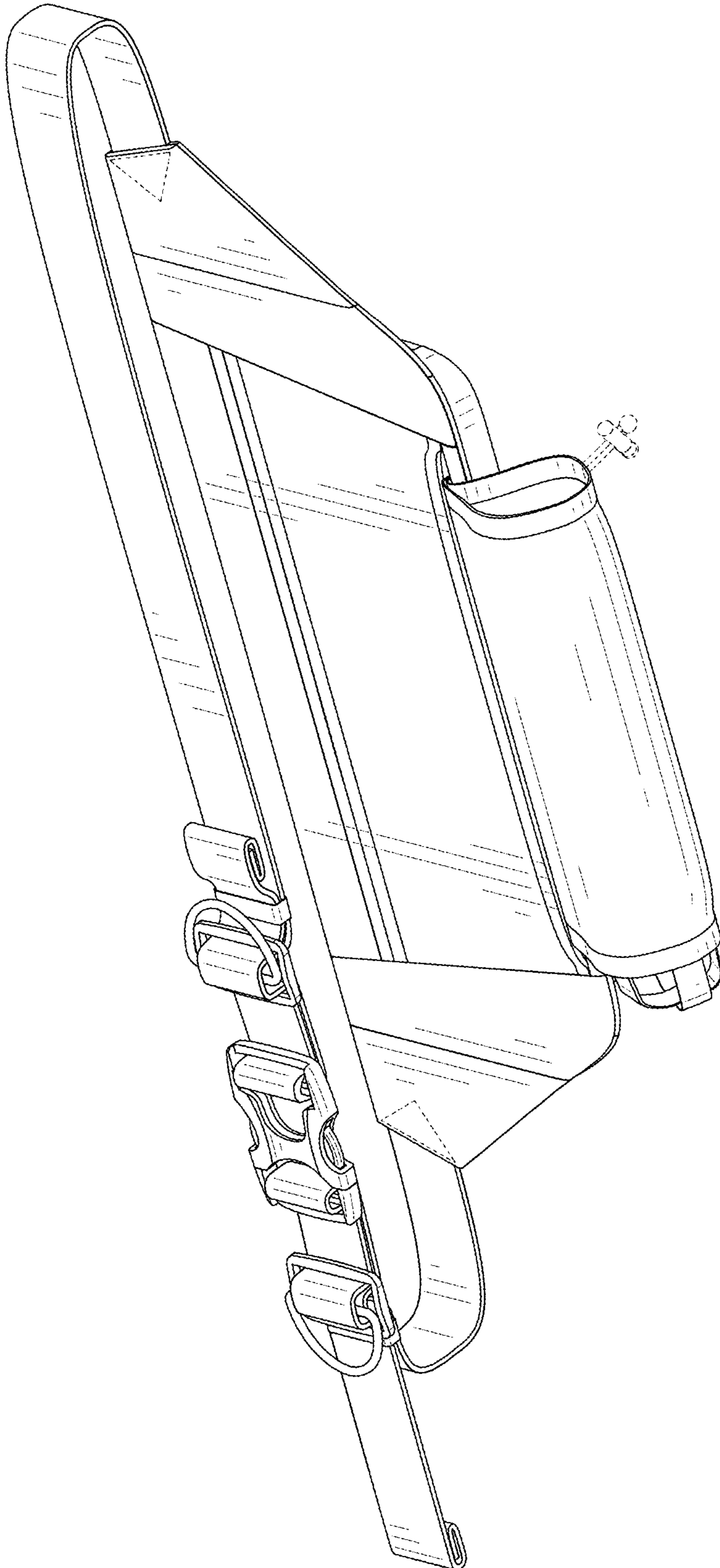


FIG. 2

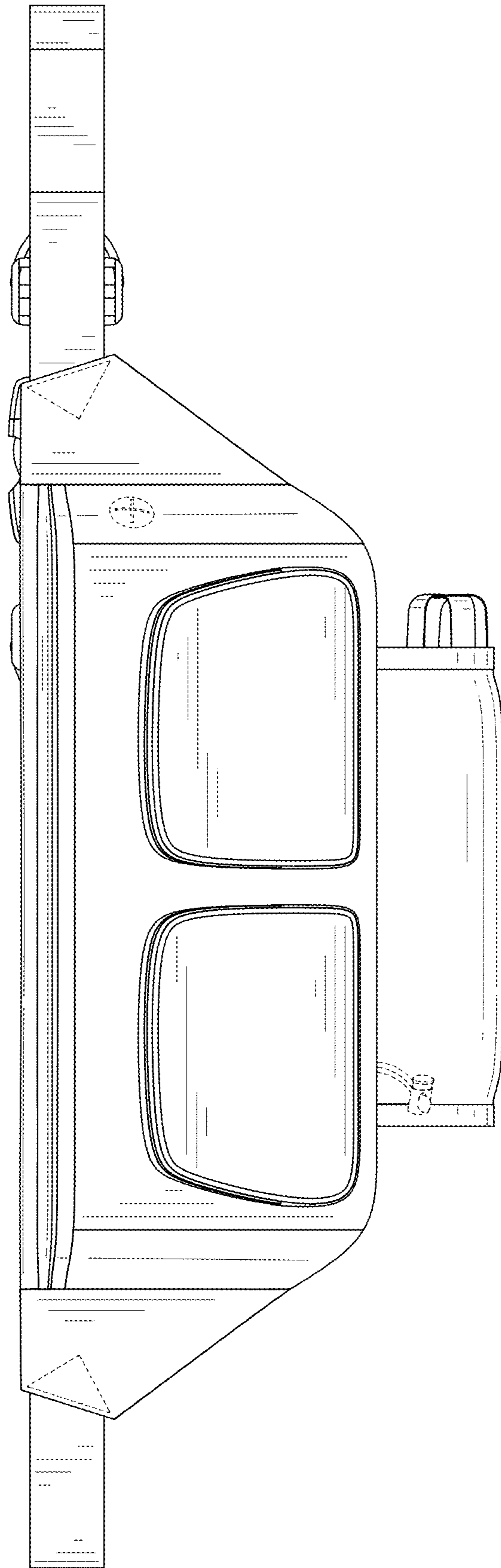


FIG. 3

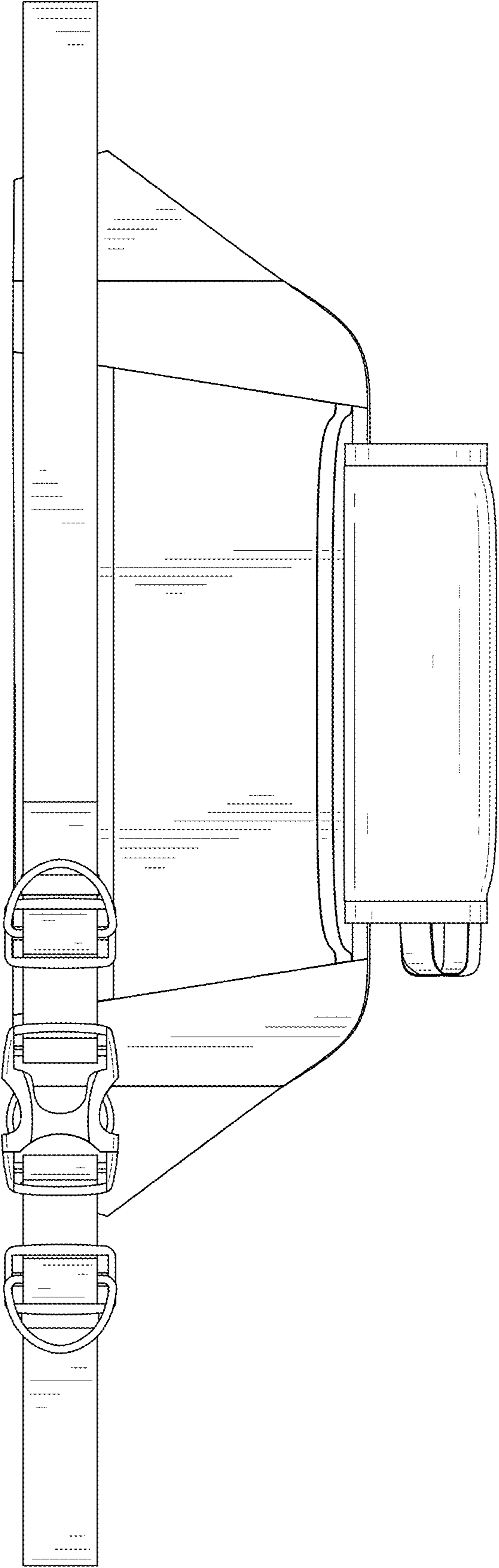


FIG. 4

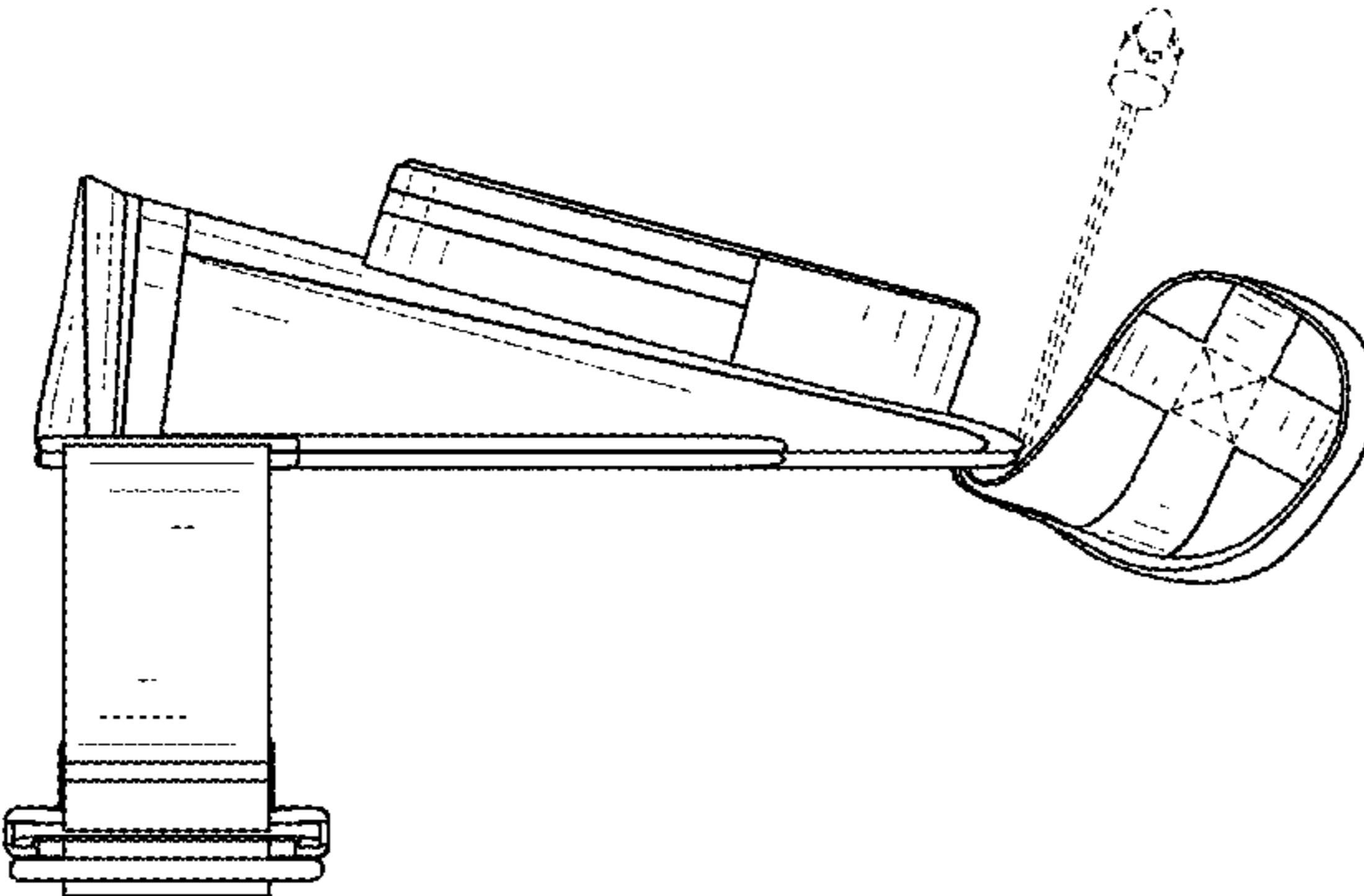


FIG. 5

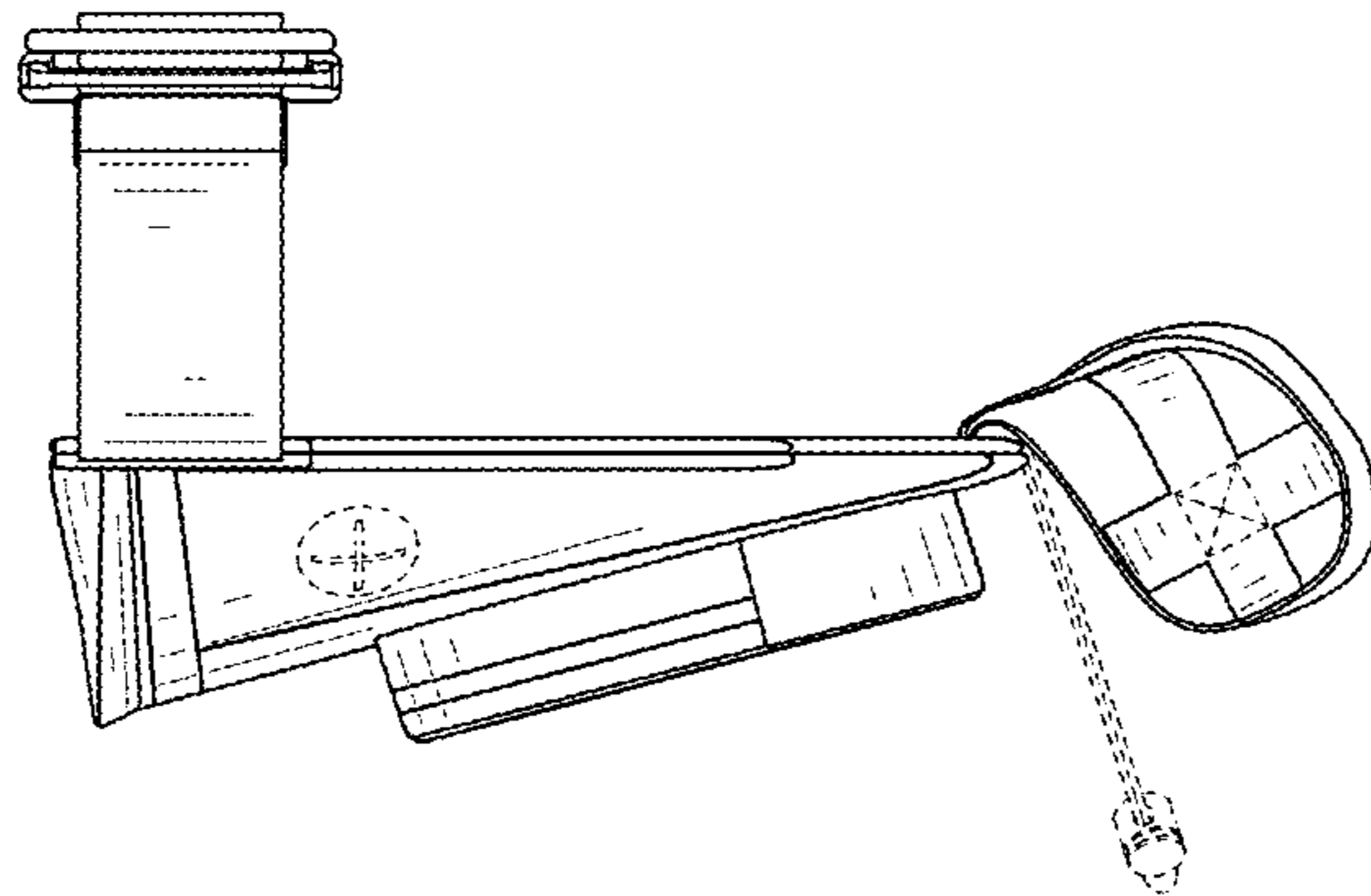


FIG. 6

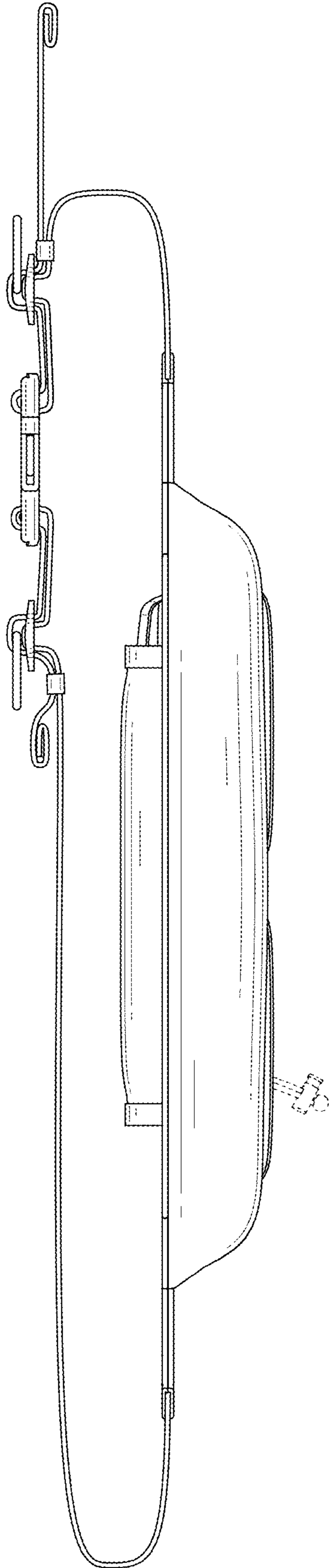


FIG. 7

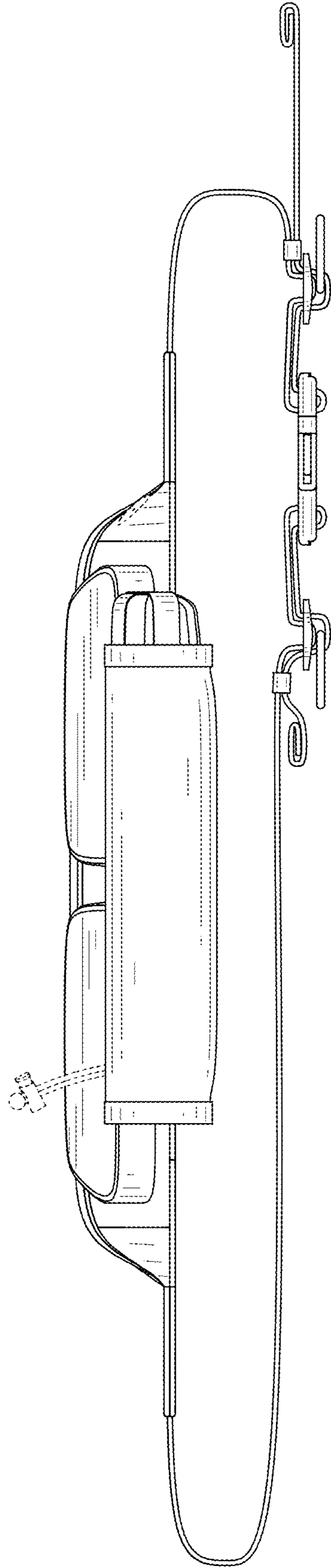


FIG. 8

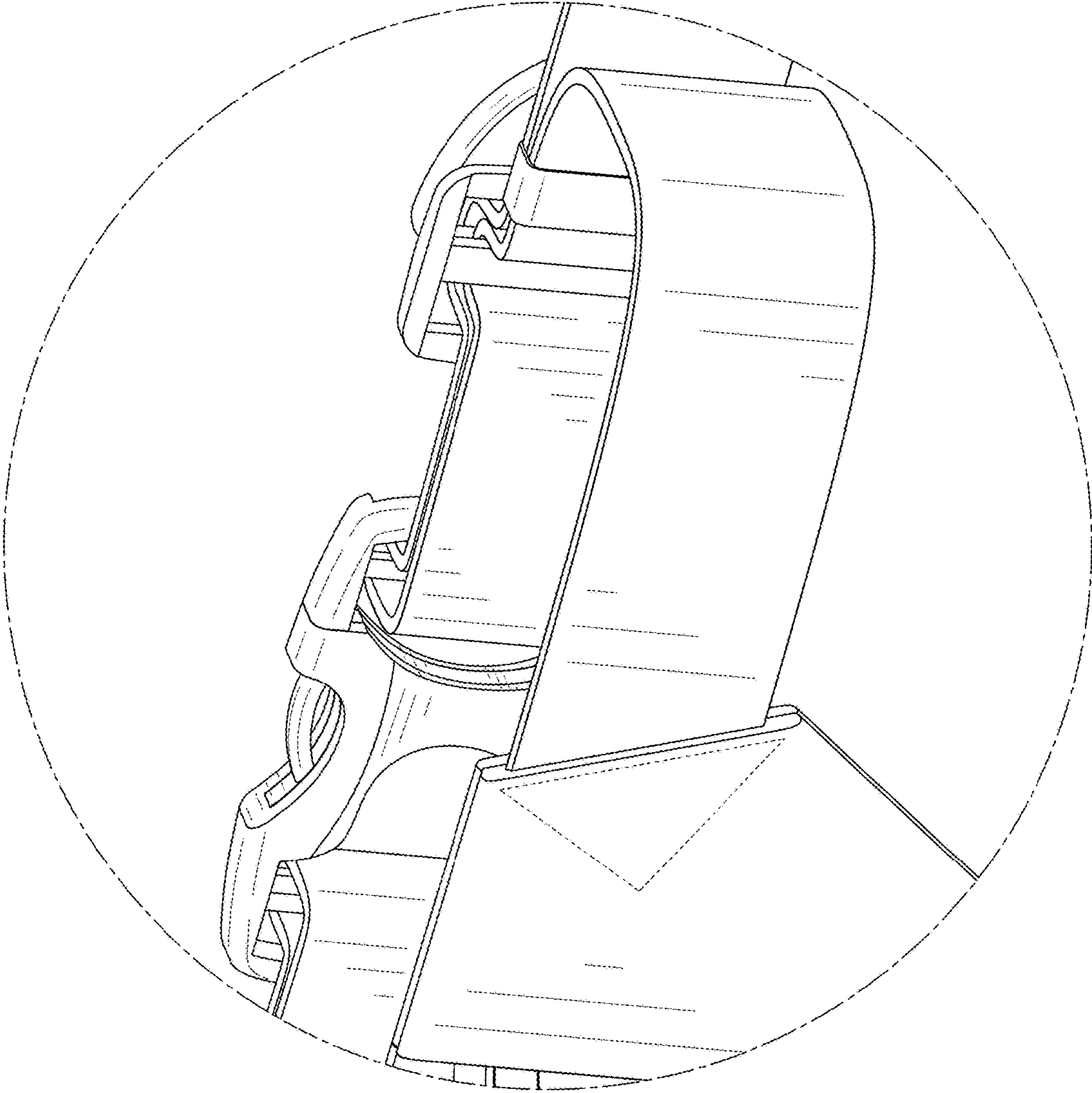


FIG. 9