



US00D909053S

(12) **United States Design Patent**  
**Caldwell**

(10) **Patent No.:** **US D909,053 S**

(45) **Date of Patent:** **\*\* \*Feb. 2, 2021**

- (54) **HOLSTER WITH ADJUSTABLE POCKETS AND HARNESS**
- (71) Applicant: **Gordon M Caldwell**, Milton, WA (US)
- (72) Inventor: **Gordon M Caldwell**, Milton, WA (US)
- (\* ) Notice: This patent is subject to a terminal disclaimer.
- (\*\*) Term: **15 Years**
- (21) Appl. No.: **29/700,726**
- (22) Filed: **Aug. 5, 2019**

5,358,159 A *	10/1994	Lundie, Jr. ....	A45F 5/00 224/624
D370,776 S *	6/1996	Frey .....	224/624
D373,018 S *	8/1996	Alberti .....	D3/218
D384,200 S *	9/1997	Caldwell .....	D3/218
D449,735 S	10/2001	Nielsen	
D467,417 S	12/2002	Jackson	
D547,942 S	8/2007	Lavine	
D574,608 S	8/2008	Menzel	
D707,961 S	7/2014	Surlaya	
D708,436 S *	7/2014	Cariglio .....	D3/218
8,807,410 B2	7/2014	Zielberg	
D775,766 S *	1/2017	Van Noppen .....	D29/101.4
D825,916 S	8/2018	Caldwell	
D833,737 S *	11/2018	Ooi .....	D3/218

\* cited by examiner

**Related U.S. Application Data**

- (63) Continuation-in-part of application No. 15/669,945, filed on Aug. 6, 2017.

(51) **LOC (13) Cl.** ..... **03-01**

(52) **U.S. Cl.**  
USPC ..... **D3/224**

(58) **Field of Classification Search**  
 USPC ..... D3/218, 215, 224, 226, 228, 197,  
 D3/240–241, 245, 578, 600, 604, 624,  
 D3/674, 676–681, 901, 904, 911;  
 224/197, 240–241, 245, 578, 600, 604,  
 224/624, 674, 676–681, 901, 904, 911;  
 D29/101.4  
 CPC ... A45C 11/08; A45F 3/14; A45F 5/00; A45F  
 5/02; A45F 5/021; A45F 5/022; A45F  
 2005/00; A45F 2005/008; A45F  
 2005/006; A45F 2200/0516; A45F  
 2200/05  
 See application file for complete search history.

(56) **References Cited**

**U.S. PATENT DOCUMENTS**

2,475,914 A *	7/1949	Peterson .....	A01K 97/06 D3/224
D185,583 S *	6/1959	Stella .....	D3/223

*Primary Examiner* — Catherine R Oliver-Garcia

(74) *Attorney, Agent, or Firm* — K. Karel Lambert;  
Lambert Patent Svs, LLC

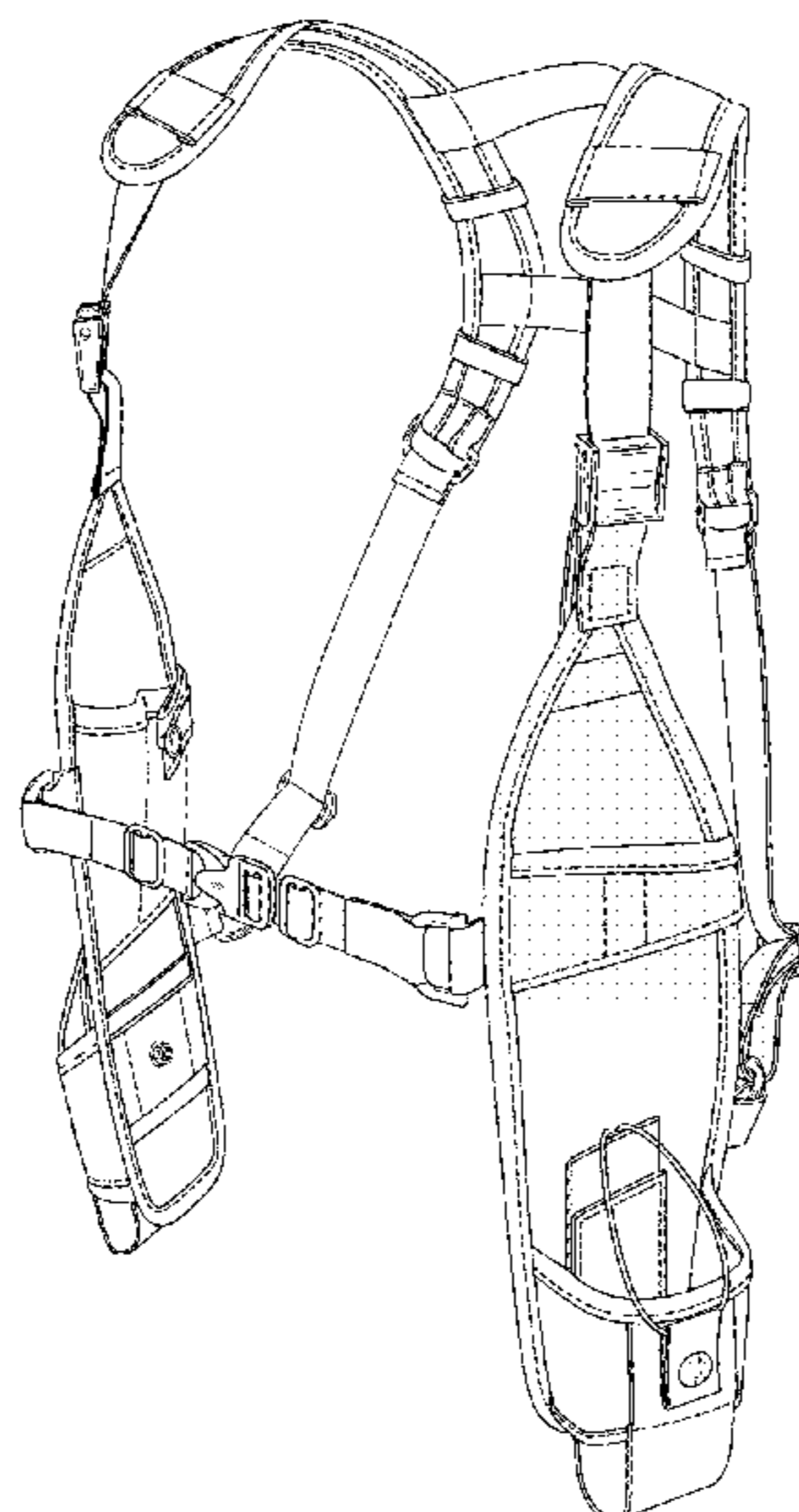
(57) **CLAIM**

The ornamental design for a holster with adjustable pockets and harness, as shown and described.

**DESCRIPTION**

FIG. 1 is a side perspective view of a holster with adjustable pockets and harness showing a first embodiment of my new design in a context of use.  
 FIG. 2 is a top plan view thereof;  
 FIG. 3 is a front elevation view thereof;  
 FIG. 4 is a rear elevation view thereof;  
 FIG. 5 is a right-side elevation view thereof; a left-side elevation view being a mirror image thereof;  
 FIG. 6 is a bottom plan view thereof; and,  
 FIG. 7 is a front perspective view.  
 The broken lines showing the radio, flashlight and human form are for illustrative purposes only and form no part of the claimed design.

**1 Claim, 4 Drawing Sheets**



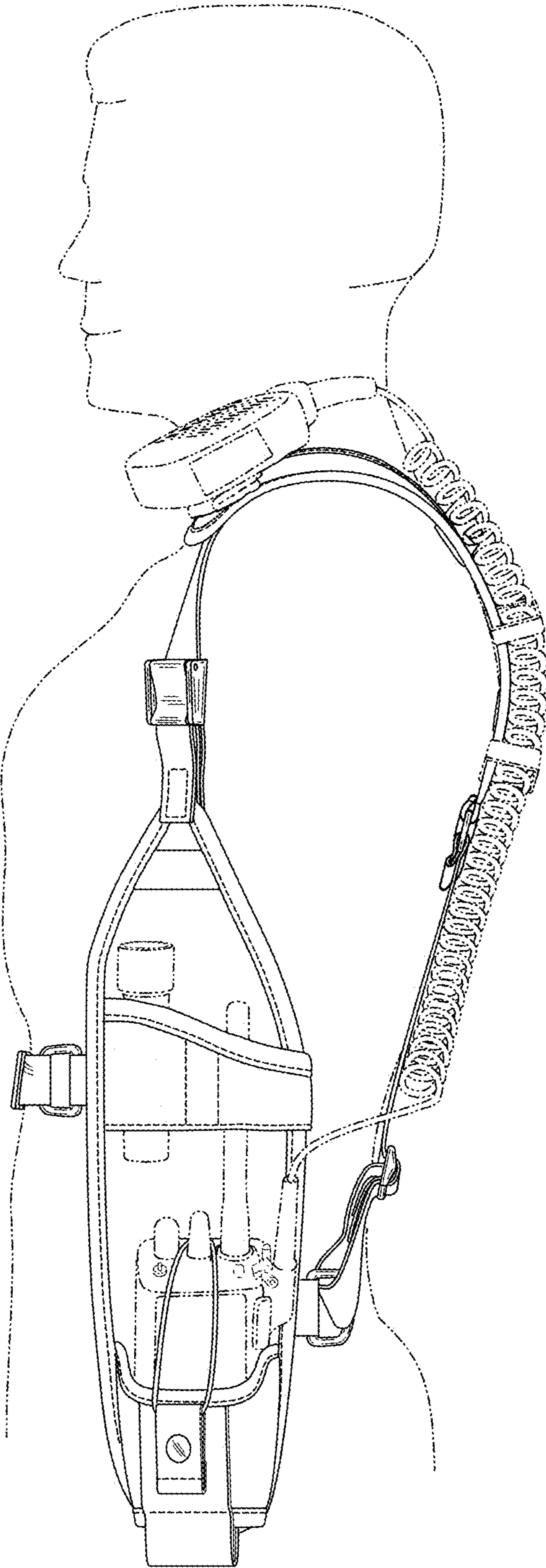


FIG. 1

FIG. 2

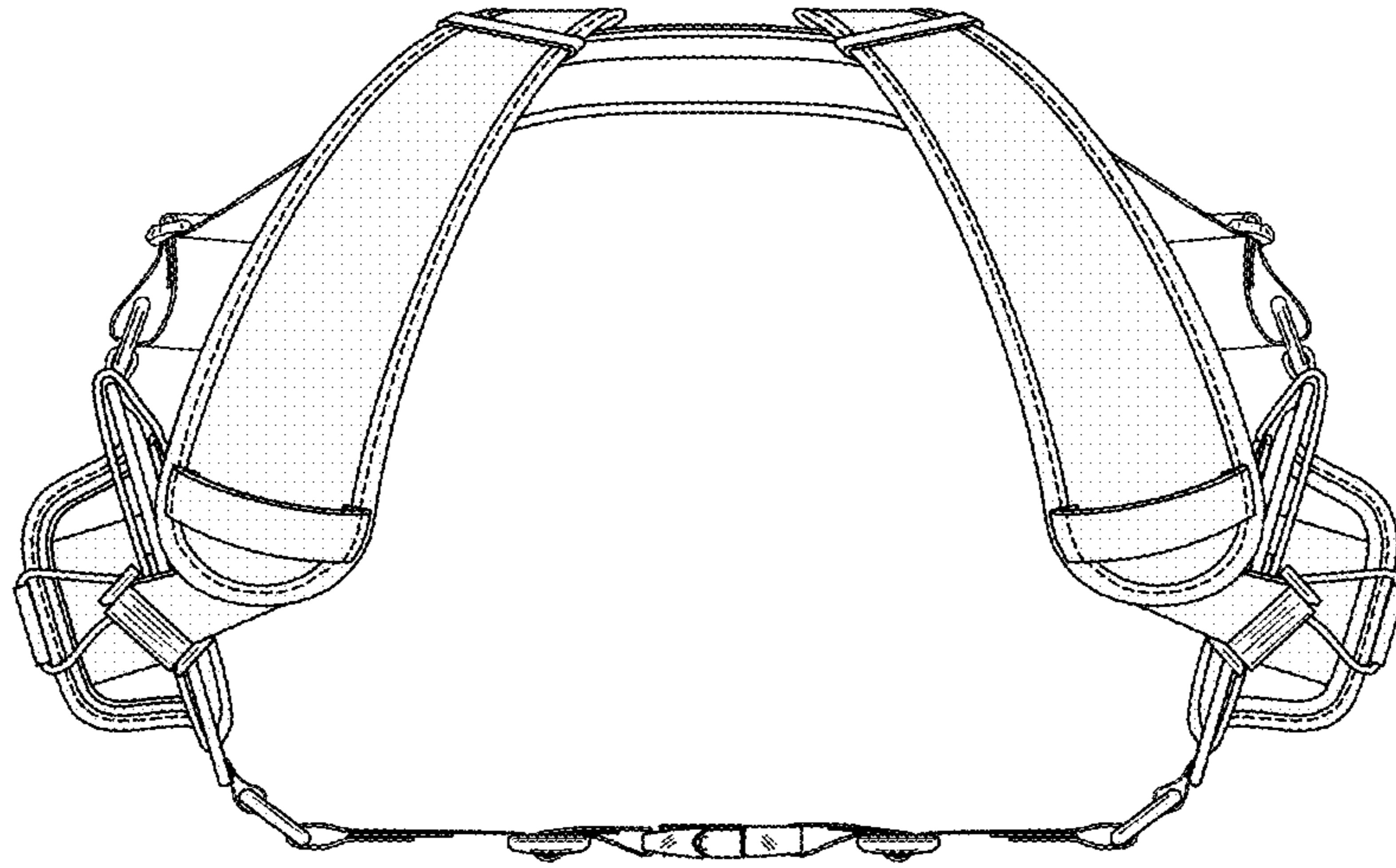


FIG. 3

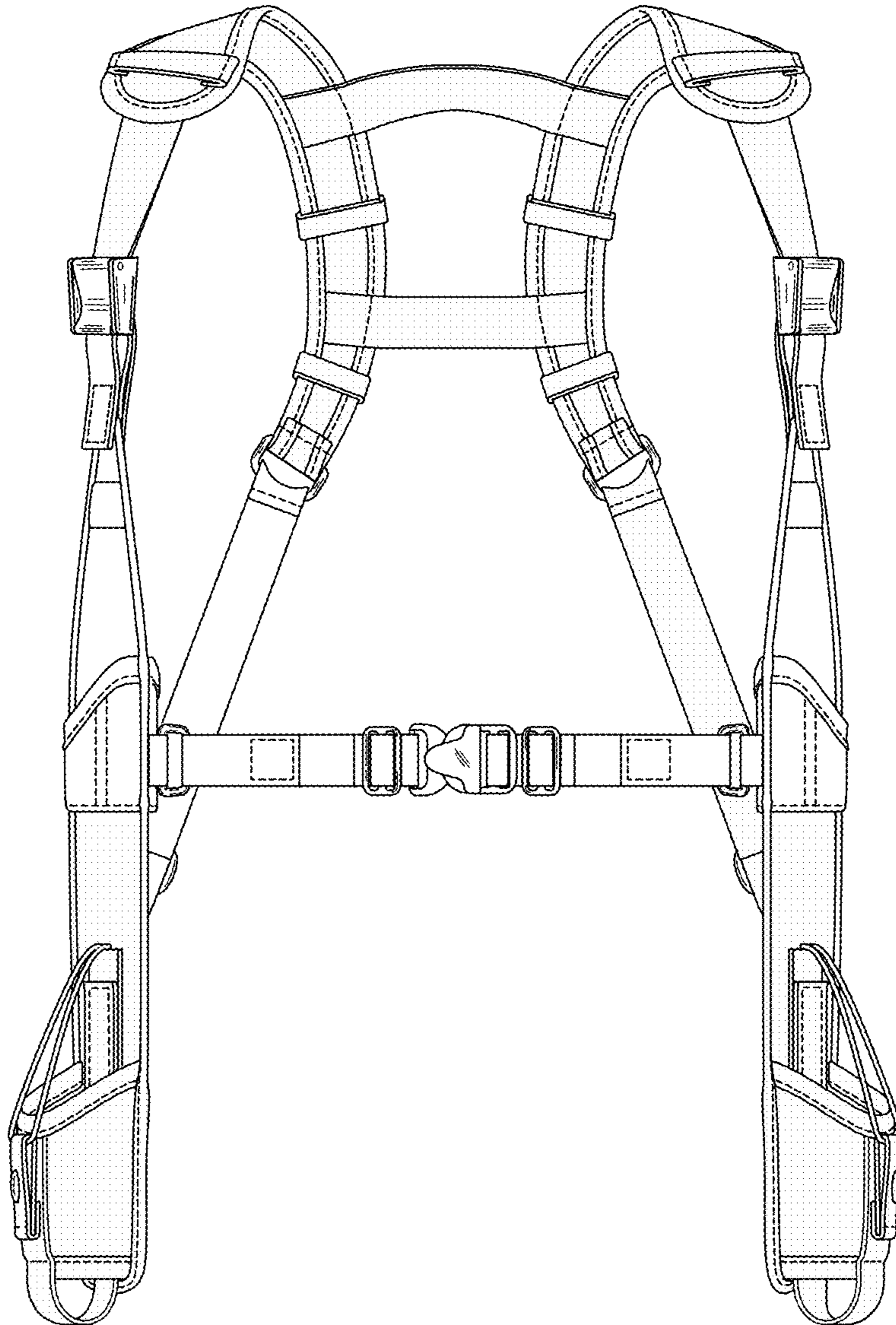




FIG. 5

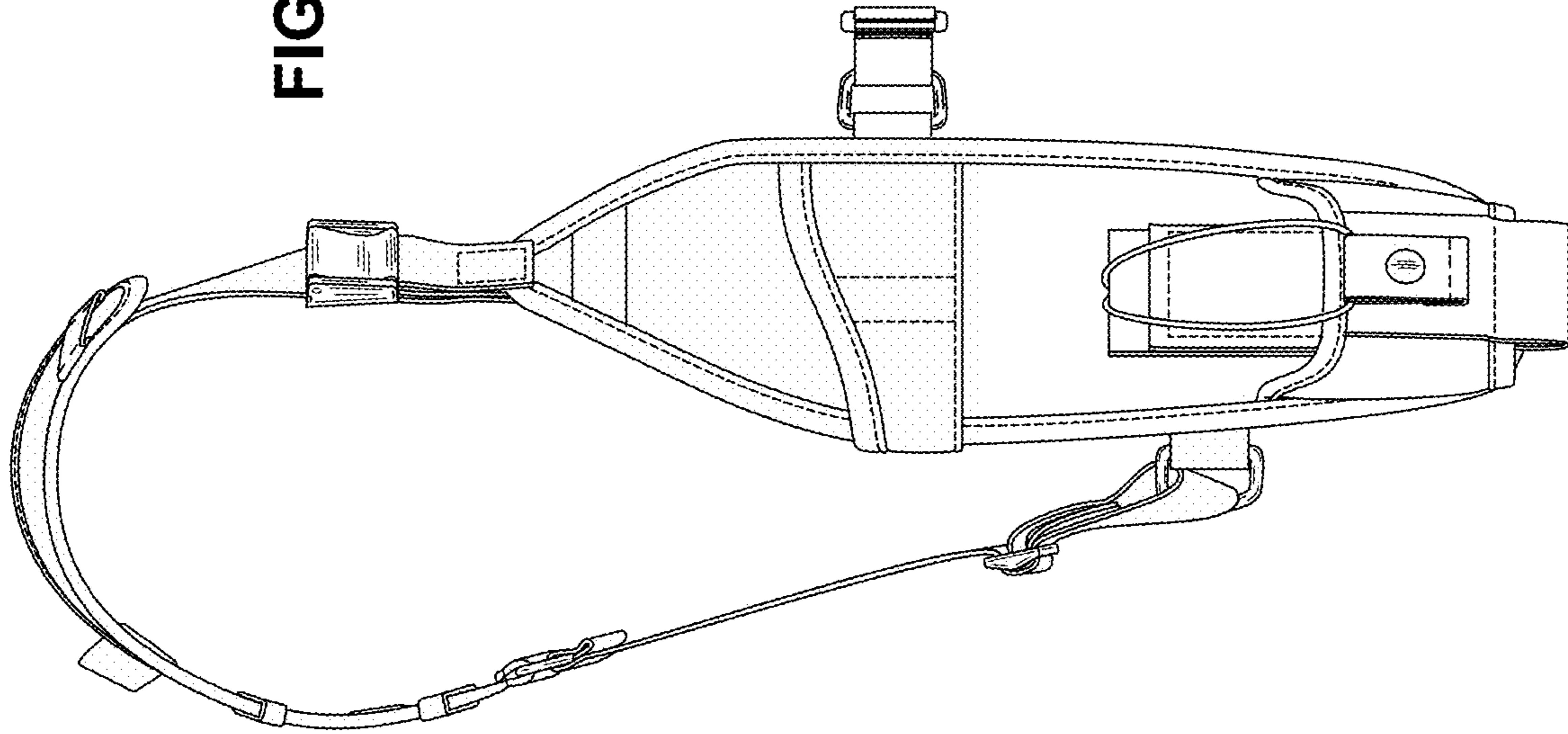
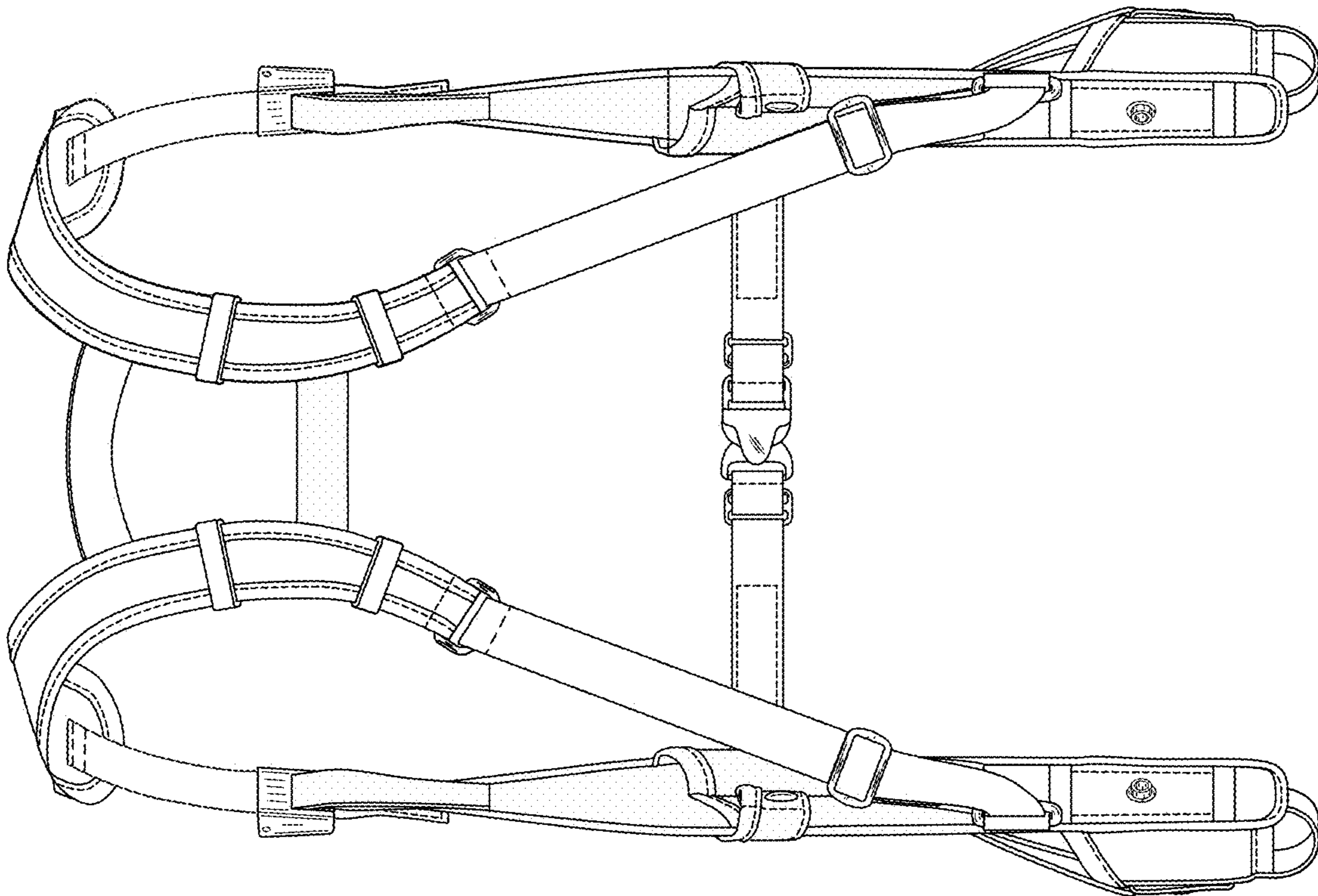


FIG. 4



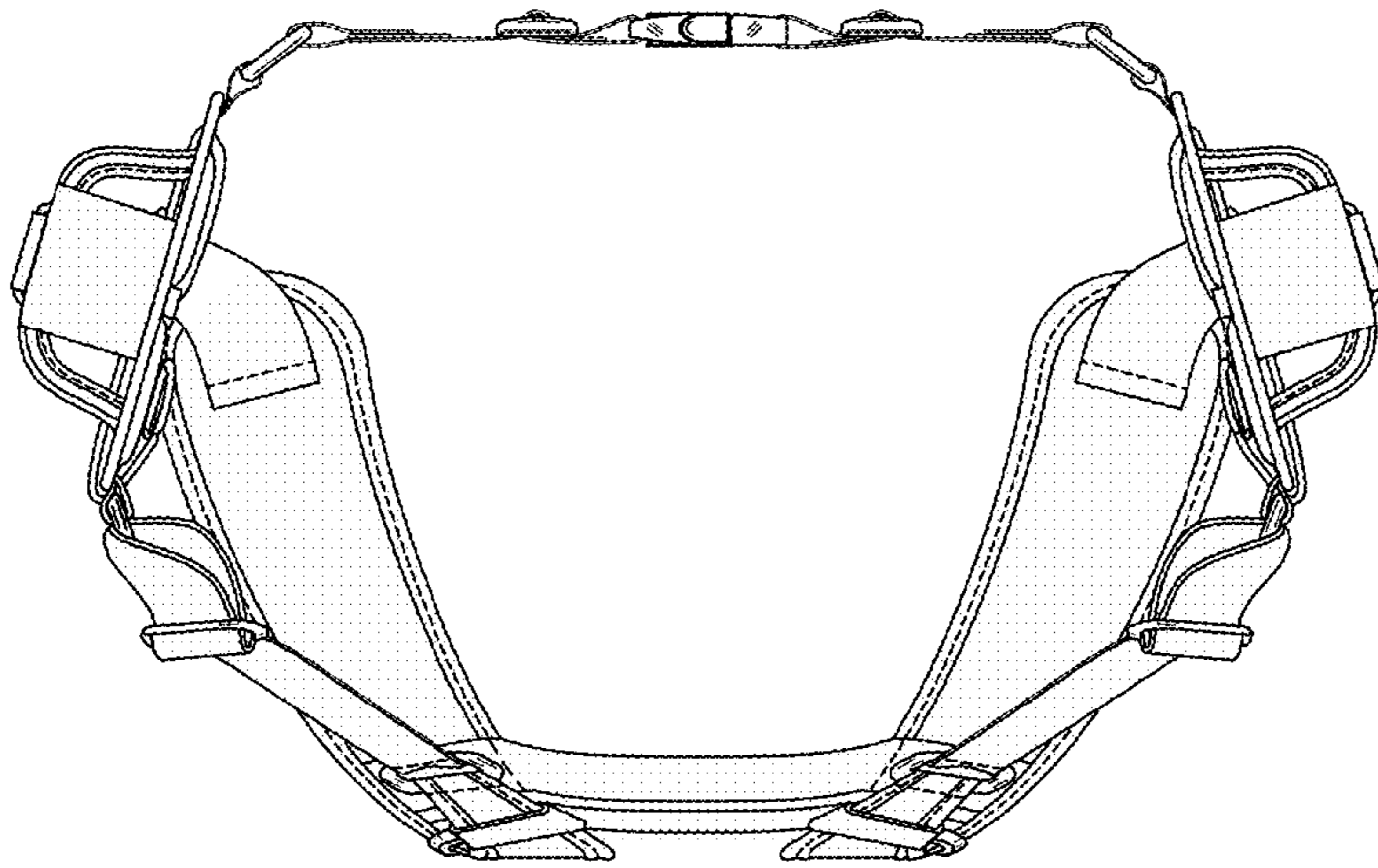


FIG. 6

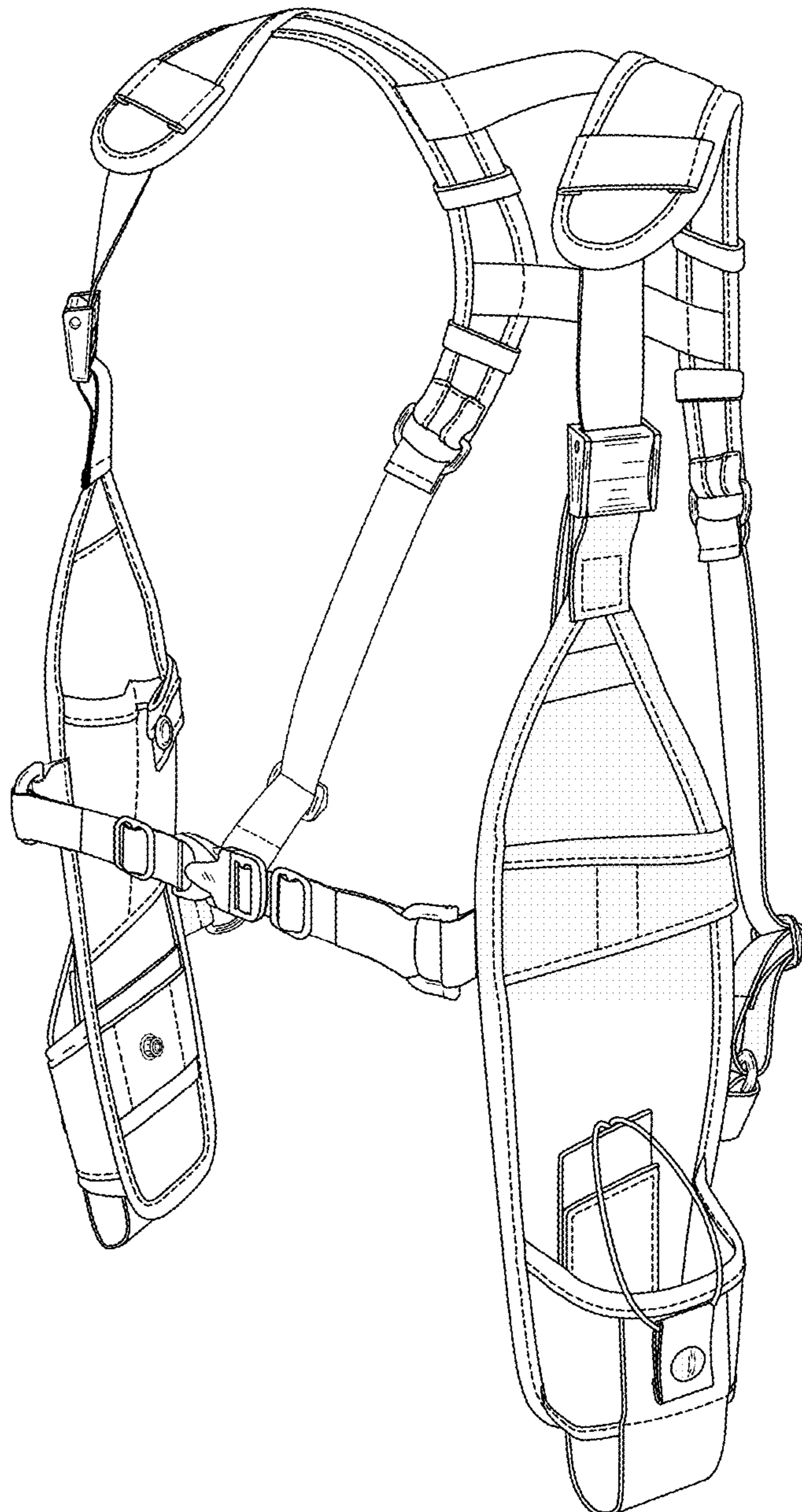


FIG. 7