



US00D909050S

(12) **United States Design Patent** (10) **Patent No.:** **US D909,050 S**
Bloom (45) **Date of Patent:** **** *Feb. 2, 2021**

(54) **BACKPACK WITH ZIPPER AND FINGERPRINT LOCK**
(71) Applicant: **Rachel Bloom**, Kettering, OH (US)
(72) Inventor: **Rachel Bloom**, Kettering, OH (US)
(*) Notice: This patent is subject to a terminal disclaimer.

D742,631 S * 11/2015 Kim D3/217
D748,909 S * 2/2016 Wronski D3/217
D771,373 S * 11/2016 Kim D3/217
D841,318 S * 2/2019 Carter D3/217
D847,494 S * 5/2019 Tang D3/217
D866,956 S * 11/2019 Wu D3/217
D867,750 S * 11/2019 Warren D3/217
D869,149 S * 12/2019 Okungbaiye D3/217
2002/0034321 A1 3/2002 Saito
(Continued)

(**) Term: **15 Years**
(21) Appl. No.: **29/679,322**
(22) Filed: **Feb. 5, 2019**

FOREIGN PATENT DOCUMENTS

CN 101354798 A 1/2009
CN 201806072 U 4/2011
(Continued)

Related U.S. Application Data

(63) Continuation-in-part of application No. 29/671,327, filed on Nov. 26, 2018, and a continuation-in-part of application No. 29/665,248, filed on Oct. 1, 2018.
(51) **LOC (13) Cl.** **03-01**
(52) **U.S. Cl.**
USPC **D3/216; D3/201**
(58) **Field of Classification Search**
USPC D3/201, 215, 216–217, 213–214, D3/232–233, 240–243, 245–246, 273, D3/276, 289, 294, 301, 302, 303, 318
CPC A45C 1/024; A45C 3/06
See application file for complete search history.

Primary Examiner — Holly E Thurman
(74) *Attorney, Agent, or Firm* — Thomas E. Lees, LLC

(57) **CLAIM**

The ornamental design for a backpack with zipper and fingerprint lock.

DESCRIPTION

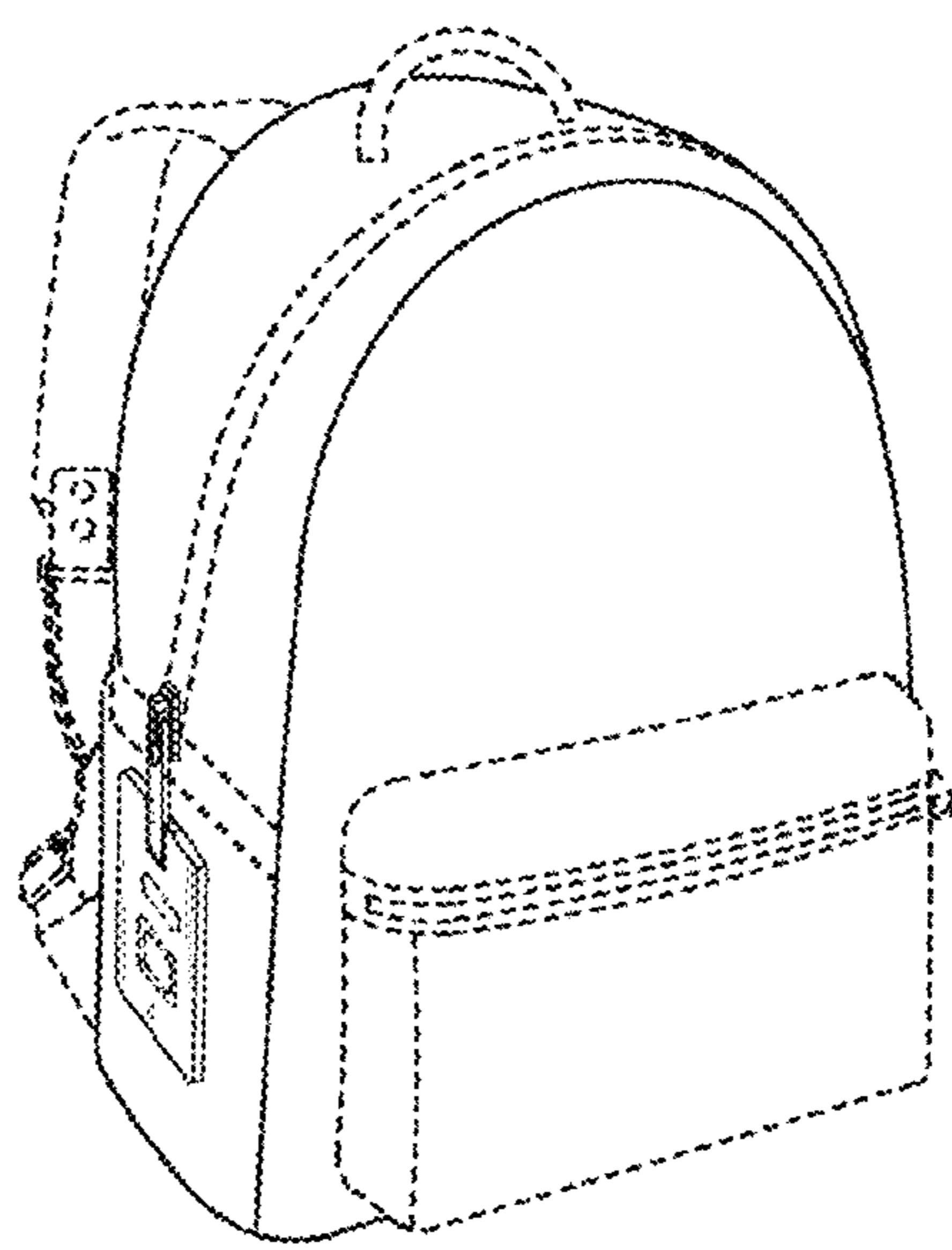
FIG. 1 is a front perspective view of a backpack with zipper and fingerprint lock;
FIG. 2 is a front view of a backpack with zipper and fingerprint lock showing my new design;
FIG. 3 is a back view of a backpack with zipper and fingerprint lock showing my new design;
FIG. 4 is a left side elevation end view of a backpack with zipper and fingerprint lock showing my new design;
FIG. 5 is a right side of a backpack with zipper and fingerprint lock showing my new design;
FIG. 6 is a top view of a backpack with zipper and fingerprint lock showing my new design; and,
FIG. 7 is a bottom view of a backpack with zipper and fingerprint lock showing my new design.
The broken lines shown in the drawings do not form part of the claimed design.

(56) **References Cited**

U.S. PATENT DOCUMENTS

5,138,468 A 8/1992 Baebanell
5,963,657 A 10/1999 Bowker et al.
6,374,652 B1 4/2002 Hwang
6,401,501 B1 6/2002 Kajuch et al.
D469,952 S * 2/2003 Daglow D3/216
6,865,913 B2 3/2005 Yamagishi
7,043,060 B2 5/2006 Quintana
D691,584 S * 10/2013 Nussbaum D14/204
D694,002 S * 11/2013 Bland D29/101.3

1 Claim, 7 Drawing Sheets



(56)

References Cited

U.S. PATENT DOCUMENTS

2004/0025550	A1	2/2004	Yamagashi
2004/0255623	A1	12/2004	Sun et al.
2008/0012686	A1	1/2008	Bonestroo
2009/0226050	A1	9/2009	Hughes
2016/0360351	A1	12/2016	Cabouli
2017/0198497	A1	6/2017	Tsai

FOREIGN PATENT DOCUMENTS

CN	102783781	11/2012
CN	106917550	7/2017
GB	2458889	7/2009
GB	2547913 A	6/2017
GB	2531937	11/2017
WO	WO2007101292	9/2007
WO	WO2015121630	8/2015

* cited by examiner

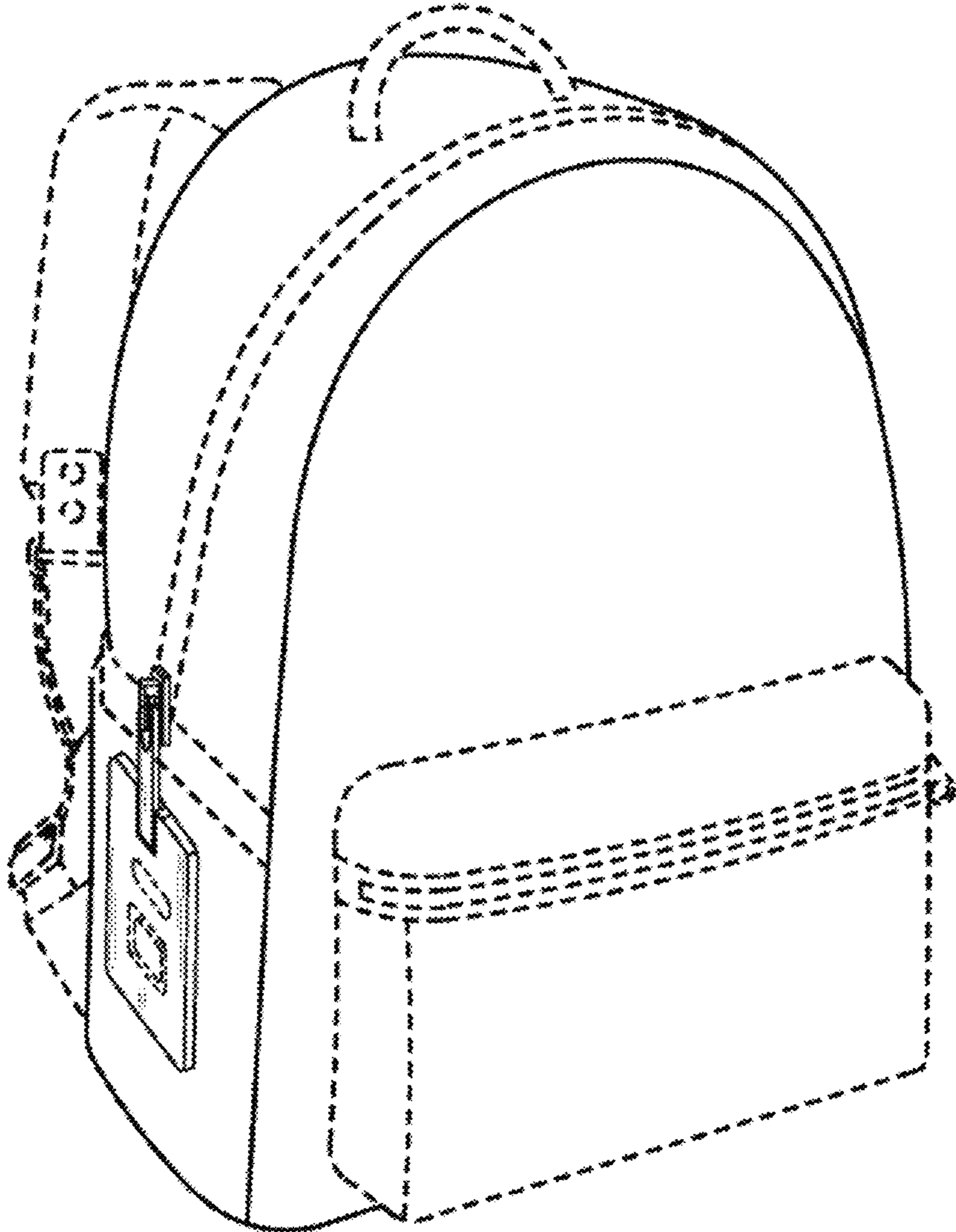


FIG. 1

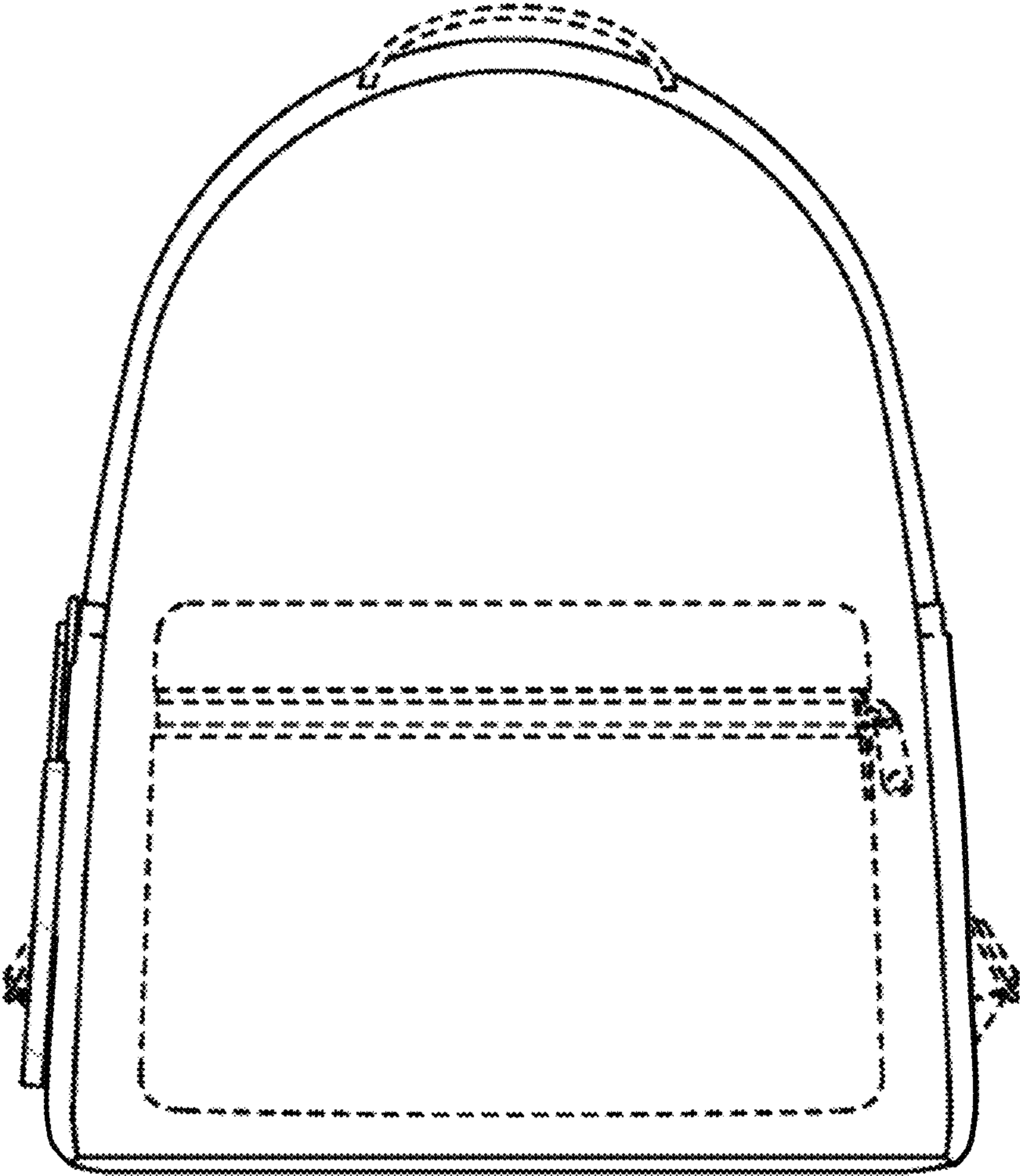


FIG. 2

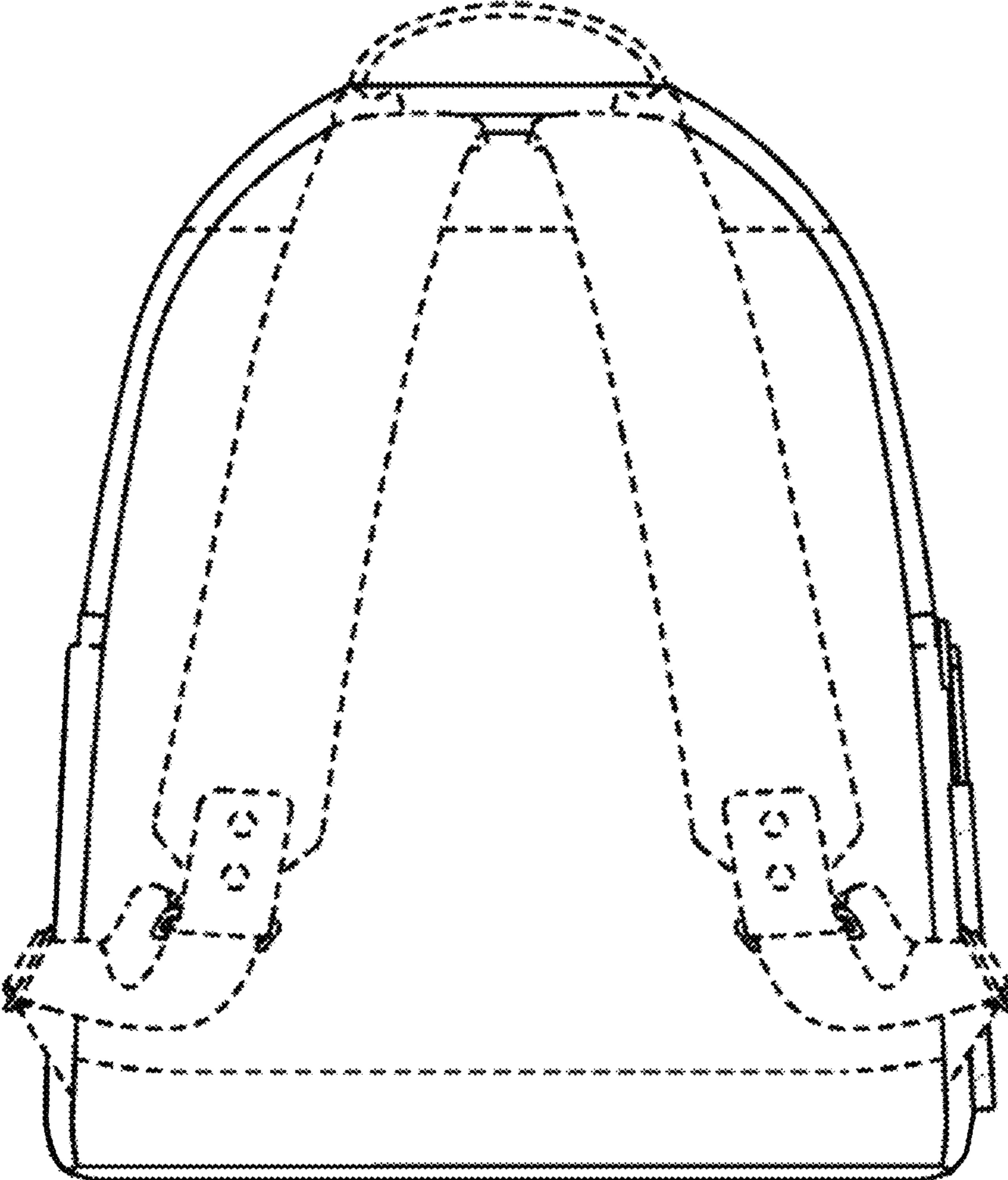


FIG. 3

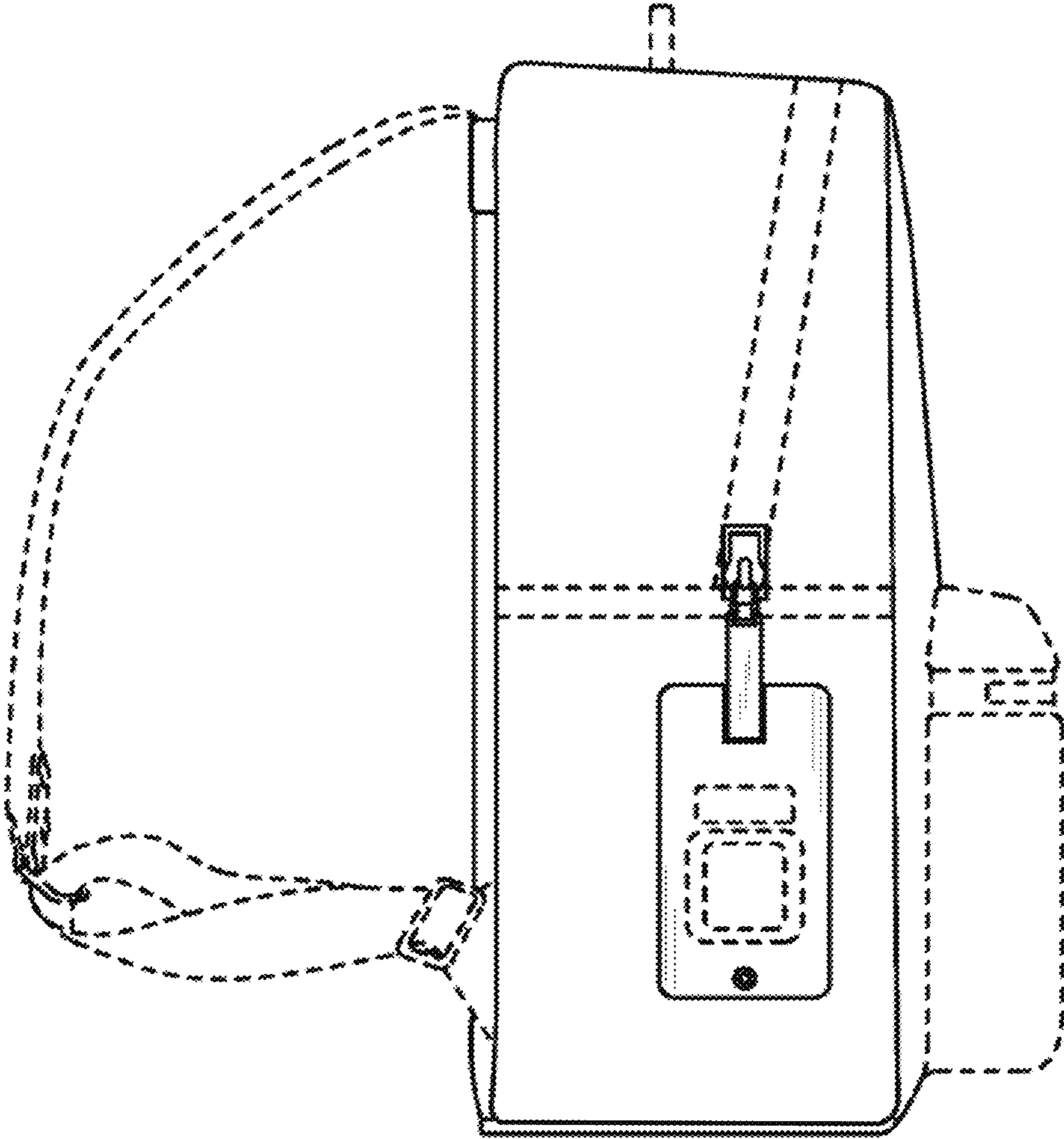


FIG. 4

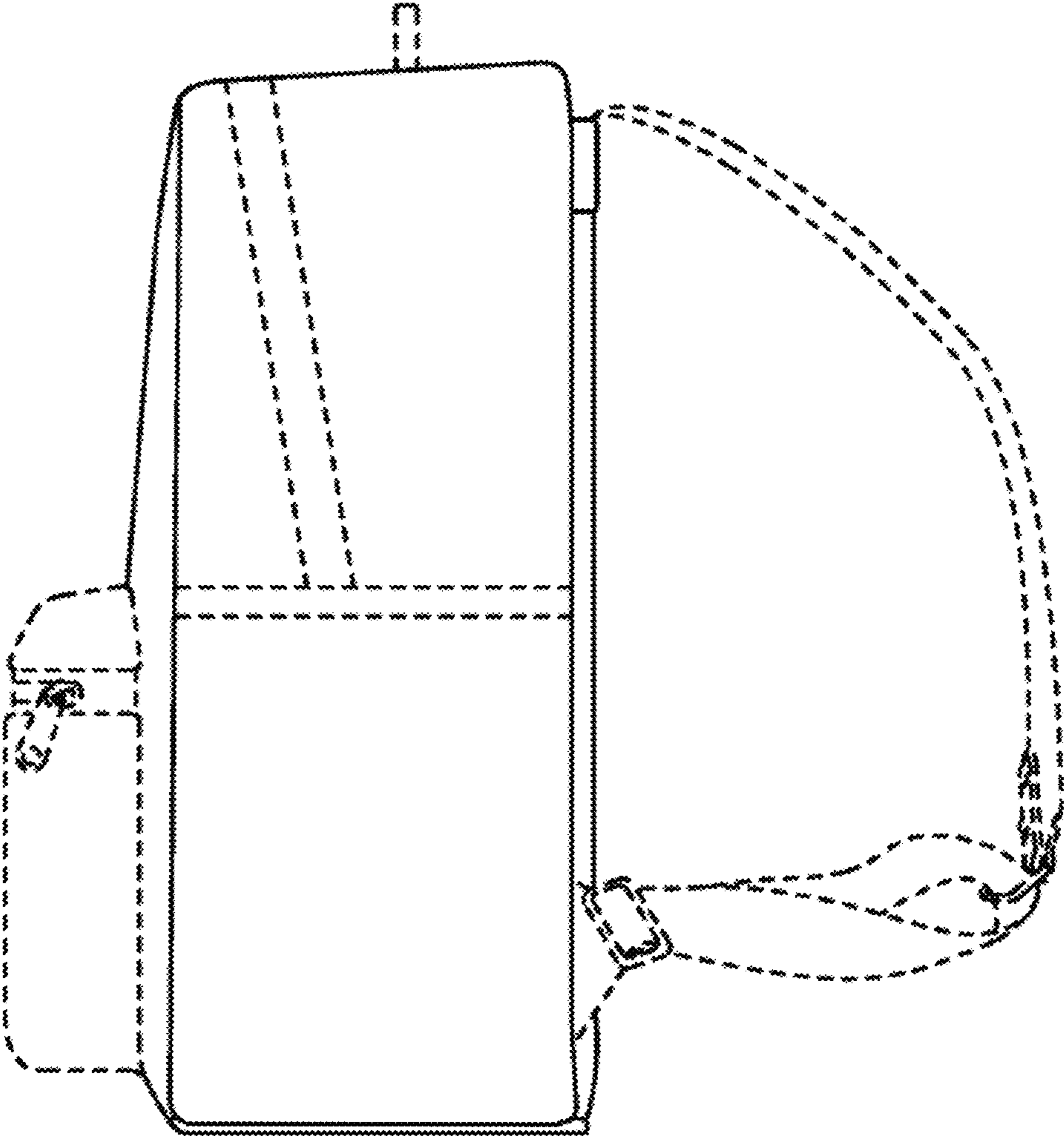


FIG. 5

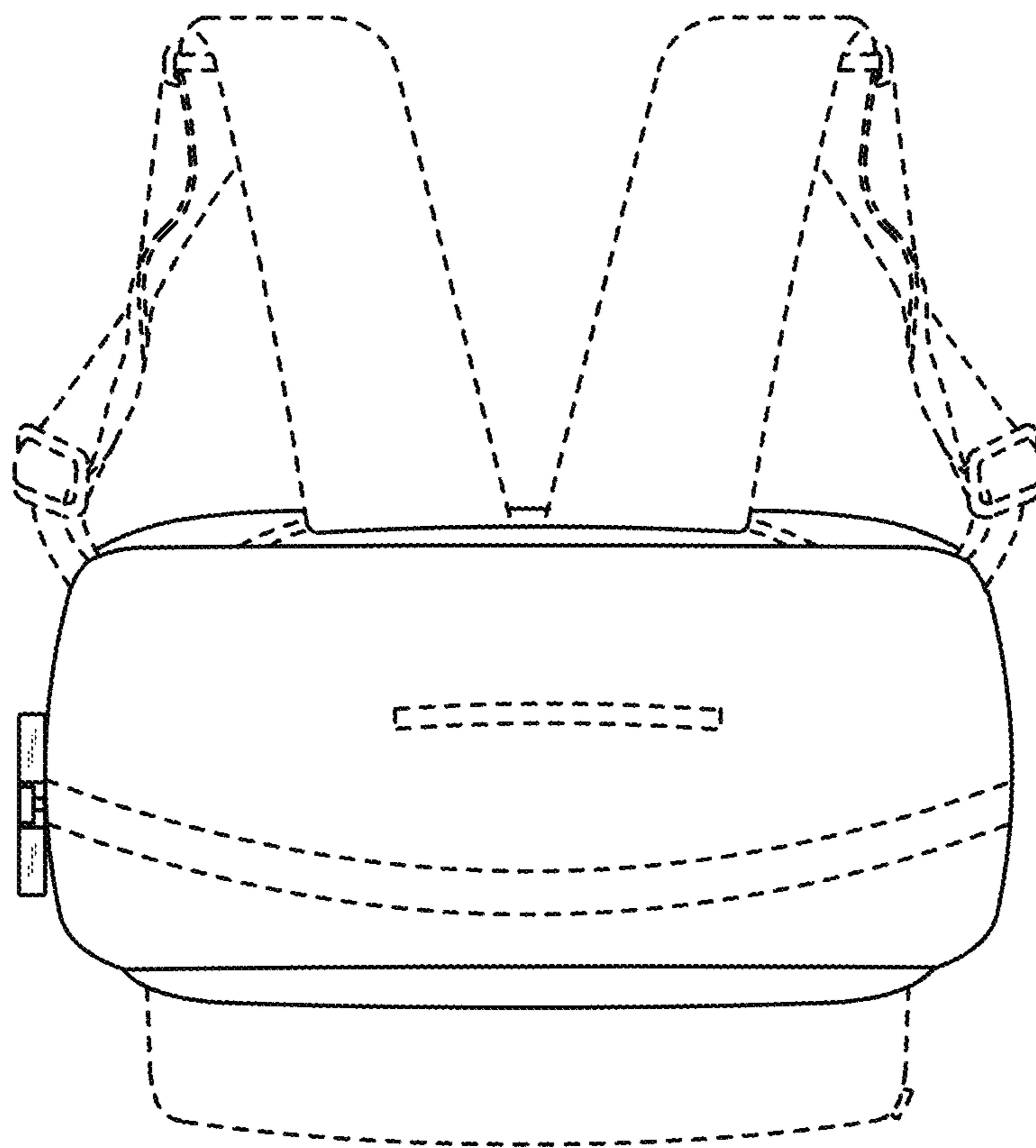


FIG. 6

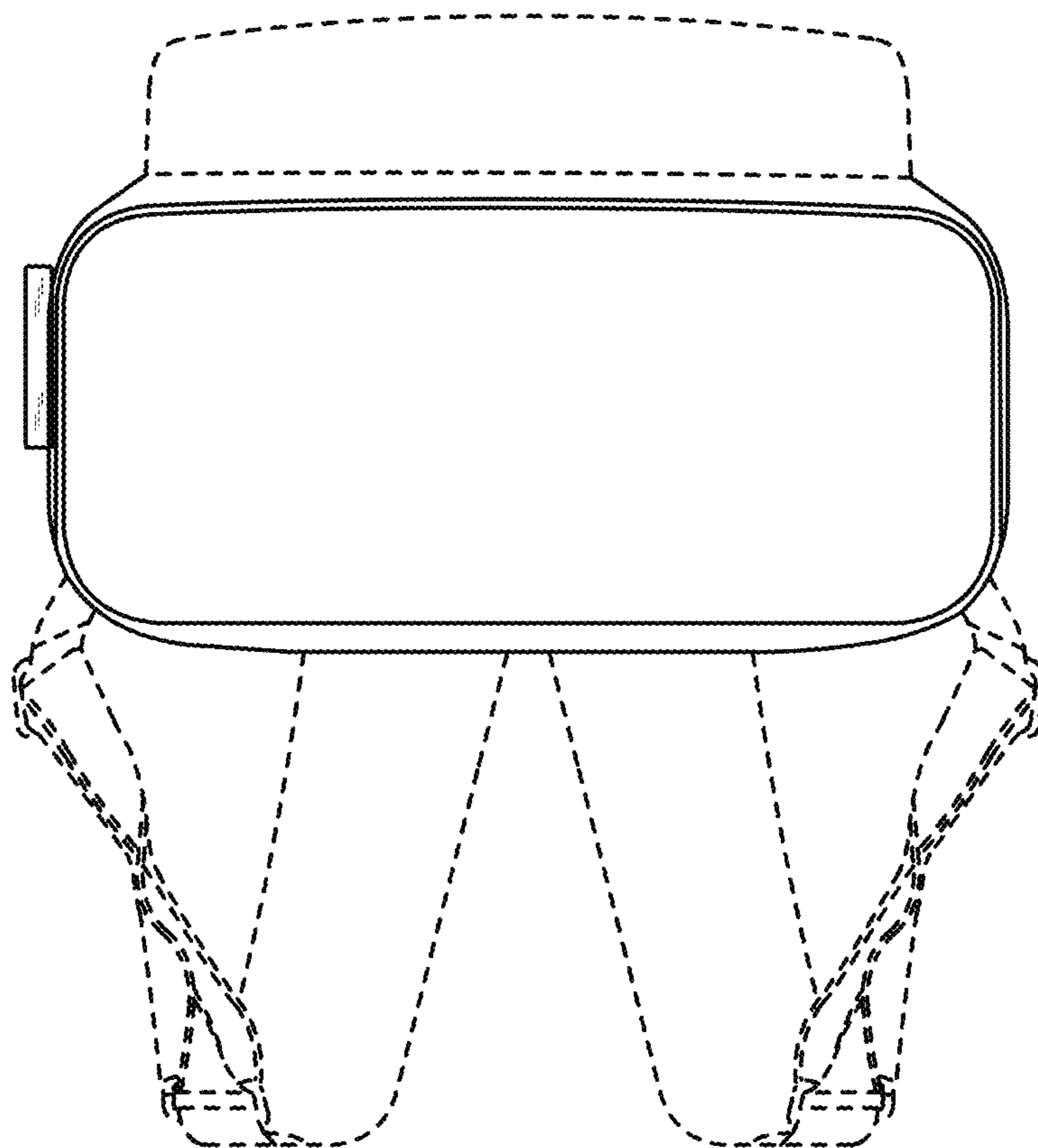


FIG. 7