



US00D909049S

(12) **United States Design Patent** (10) **Patent No.:** **US D909,049 S**  
**Watson** (45) **Date of Patent:** **\*\* Feb. 2, 2021**

(54) **BOTTOM-ENTRY PET CARRYING  
BACKPACK**

FOREIGN PATENT DOCUMENTS

CN 201005216 1/2008  
CN 202535860 11/2012

(71) Applicant: **K9 Sport Sack, LLC**, Orem, UT (US)

(Continued)

(72) Inventor: **Joseph Watson**, Orem, UT (US)

OTHER PUBLICATIONS

(73) Assignee: **K9 Sport Sack, LLC**, Orem, UT (US)

Youtube, "K9 Sport Sack Rover Dog Backpack Carrier Review and Testing", Posted by "Top Dog Tips" on Sep. 8, 2019. (<https://www.youtube.com/watch?v=3ISHSiO9L5M>) (Year: 2019).\*

(\*\*) Term: **15 Years**

(Continued)

(21) Appl. No.: **29/668,775**

*Primary Examiner* — April Rivas

(22) Filed: **Nov. 1, 2018**

(74) *Attorney, Agent, or Firm* — Thorpe North & Western, LLP

(51) **LOC (13) Cl.** ..... **03-01**

(52) **U.S. Cl.**

(57) **CLAIM**

USPC ..... **D3/216; D30/151**

The ornamental design for a bottom-entry pet carrying backpack, as shown and described.

(58) **Field of Classification Search**

**DESCRIPTION**

USPC ..... D3/215, 216, 217, 231, 315, 900, 222,  
D3/272, 273, 294, 903, 289; D30/144,  
D30/151

CPC ..... A45F 3/02; A45F 3/04; A01K 1/0254  
See application file for complete search history.

FIG. 1 is a perspective view of a bottom-entry pet carrying backpack showing the new design.

FIG. 2 is a back view of the bottom-entry pet carrying backpack shown in FIG. 1.

FIG. 3 is a front view of the bottom-entry pet carrying backpack shown in FIG. 1.

FIG. 4 is a side view of the bottom-entry pet carrying backpack shown in FIG. 1.

FIG. 5 is a side view of the bottom-entry pet carrying backpack shown in FIG. 1.

FIG. 6 is a top view of the bottom-entry pet carrying backpack shown in FIG. 1; and,

FIG. 7 is a bottom view of the bottom-entry pet carrying backpack shown in FIG. 1.

The broken lines illustrate stitching and form part of the claimed design.

The dash-dot-dash broken lines illustrate portions of the bottom-entry pet carrying backpack that form no part of the claimed design.

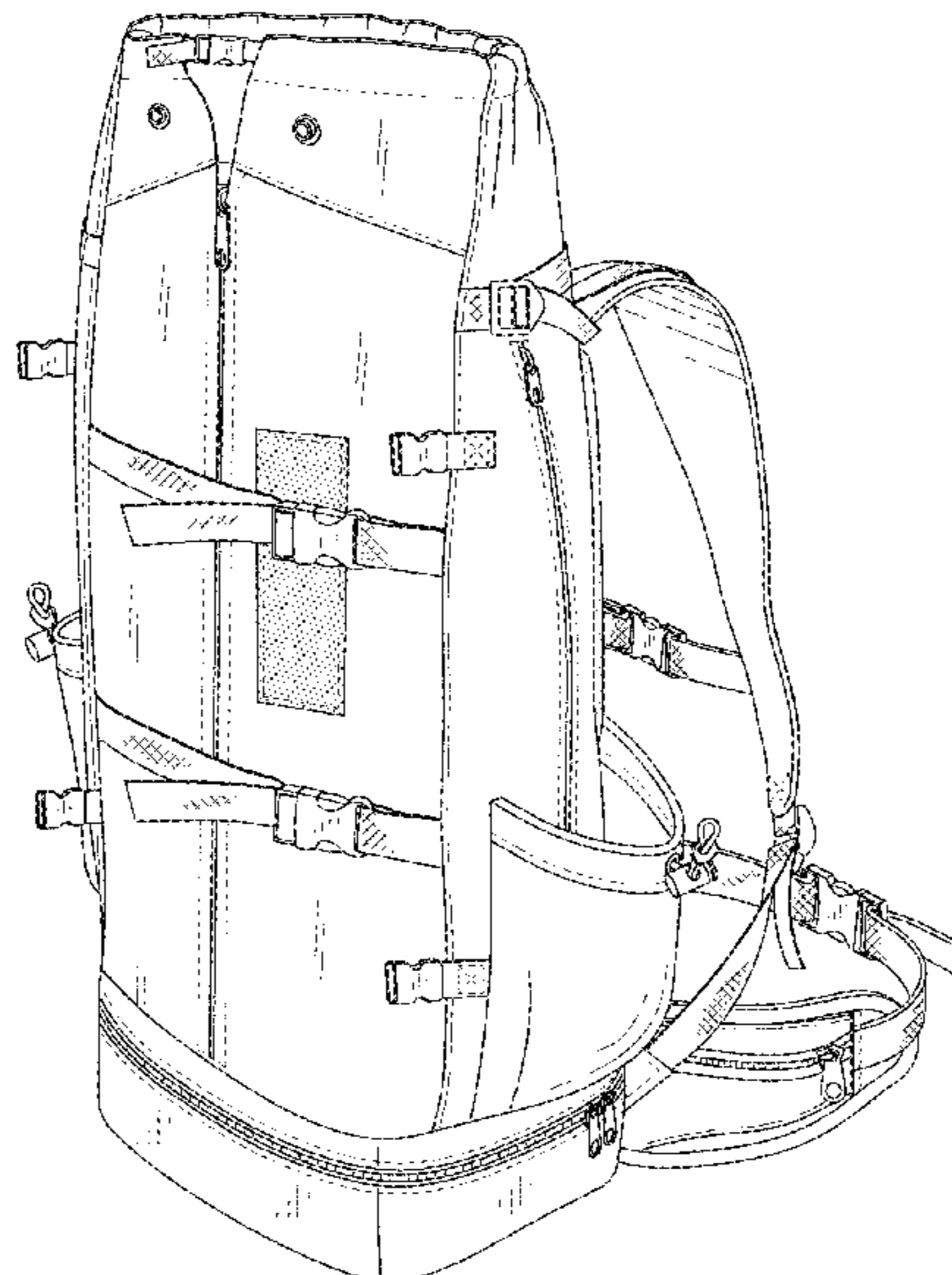
(56) **References Cited**

U.S. PATENT DOCUMENTS

4,018,369 A 7/1977 Jaeger  
4,318,502 A 3/1982 Lowe et al.  
5,176,102 A 1/1993 Tracy  
5,419,281 A 5/1995 Williams et al.  
D383,305 S \* 9/1997 Holstrom ..... D3/216  
D392,798 S 3/1998 Gelb  
5,964,470 A 10/1999 Syendsen et al.  
6,701,871 B1 3/2004 Johnson  
D554,853 S 11/2007 Bihn  
D650,576 S 12/2011 Bertken  
D664,765 S 8/2012 Saia  
D734,942 S 7/2015 Robinson  
D739,653 S 9/2015 Majeau

(Continued)

**1 Claim, 6 Drawing Sheets**



(56)

References Cited

FOREIGN PATENT DOCUMENTS

U.S. PATENT DOCUMENTS

D745,777 S 12/2015 Zwetzig  
 D758,715 S 6/2016 Daniel  
 D771,947 S 11/2016 Tong  
 D778,051 S 2/2017 Johnson  
 D778,595 S \* 2/2017 Zurowski ..... D3/216  
 D779,823 S 2/2017 Barenbrug  
 D780,454 S 3/2017 Zwetzig  
 D784,685 S 4/2017 Newson  
 D796,187 S 9/2017 Bogue  
 D818,262 S \* 5/2018 Schofield ..... D3/217  
 D819,328 S 6/2018 Muhlenkamp  
 D822,378 S 7/2018 Franek  
 D824,660 S 8/2018 Ross  
 D828,112 S 9/2018 Furneaux  
 D829,435 S 10/2018 Viger  
 D858,977 S \* 9/2019 Owens ..... D3/217  
 D876,081 S \* 2/2020 Dumas ..... D3/217  
 D876,826 S \* 3/2020 Watson ..... D3/217  
 10,617,096 B2 \* 4/2020 Watson ..... A01K 1/029  
 2002/0074372 A1 6/2002 Pickett  
 2007/0017947 A1 1/2007 Fenton et al.  
 2008/0149673 A1 6/2008 Slater  
 2008/0216764 A1 9/2008 Porter  
 2014/0060453 A1 3/2014 Shewfelt  
 2017/0172102 A1 6/2017 Rivera  
 2018/0139921 A1 5/2018 Kath  
 2018/0139922 A1 5/2018 Watson  
 2018/0228120 A1 8/2018 Laicheng

JP 05-046264 6/1993  
 JP 2000-287574 10/2000  
 KR 20-0335245 12/2003  
 KR 10-1525981 6/2015  
 WO 97/37529 A1 10/1997  
 WO 2008/153252 A1 12/2008  
 WO WO2016096150 A1 6/2016

OTHER PUBLICATIONS

International Search Report dated Mar. 12, 2018, in corresponding Application No. PCT/US2017/063130.  
 K9 Sport Sack: Because Dogs Just Wanna to Have Fun! posted at [missmollysays.com](https://missmollysays.com), posted on Feb. 26, 2017, online, URL: <https://missmollysays.com/k9-sport-sack-because-dogs-just-wanna-have-fun/> (Year: 2017).  
 K9 Sport Sack, posted at [www.bonesps.com](http://www.bonesps.com), no posting date available, online, URL: <http://www.bonesps.com/collections/vendors?q=K9%20Sport%20Sack> (Year: 2018).  
 International Search Report issued for PCT/US2019/0475621 dated Dec. 4, 2019, 3 pages.  
 Extended European Search Report dated Jun. 17, 2020 in corresponding Application No. EP7874238.3.

\* cited by examiner

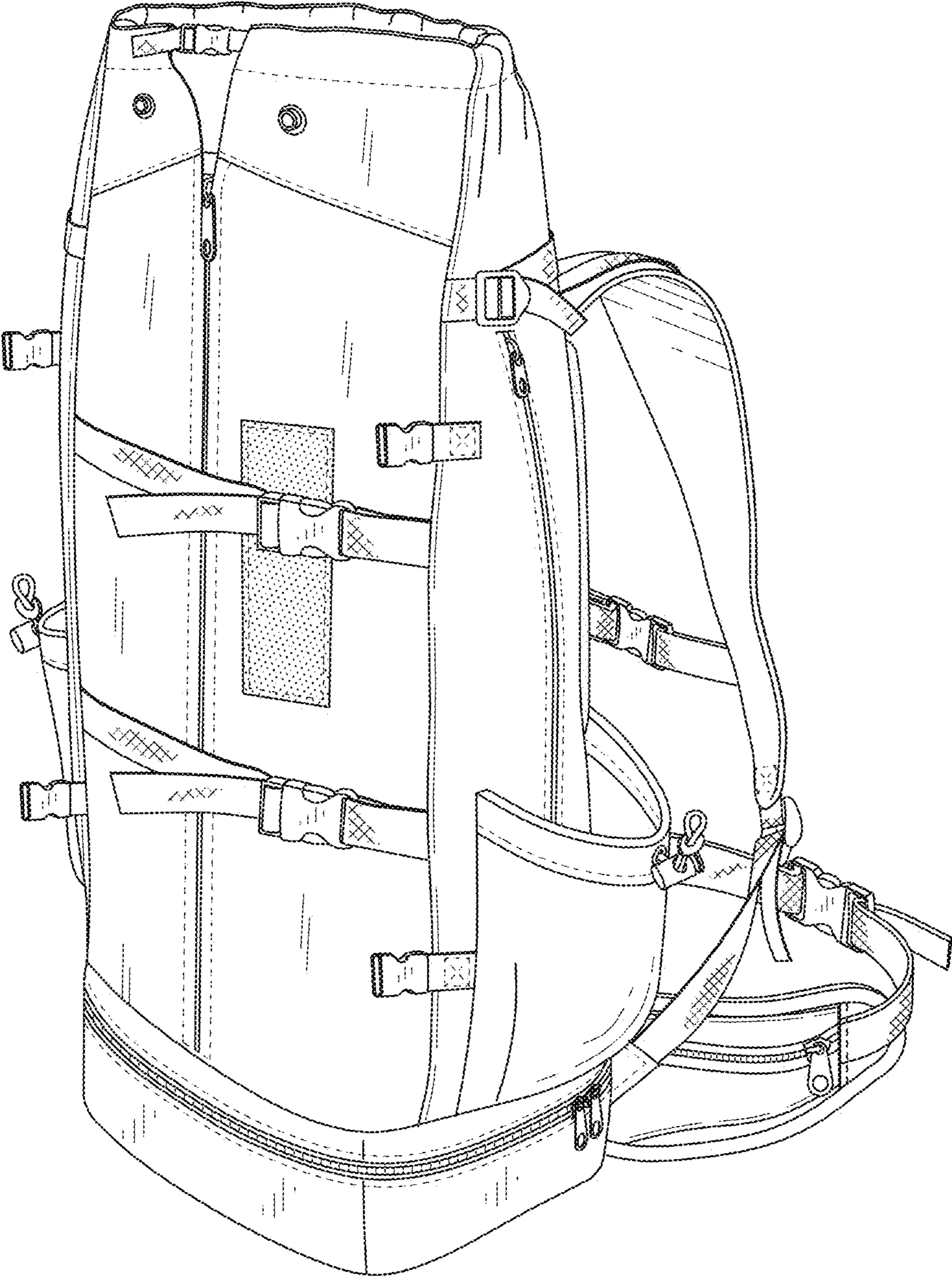


FIG. 1

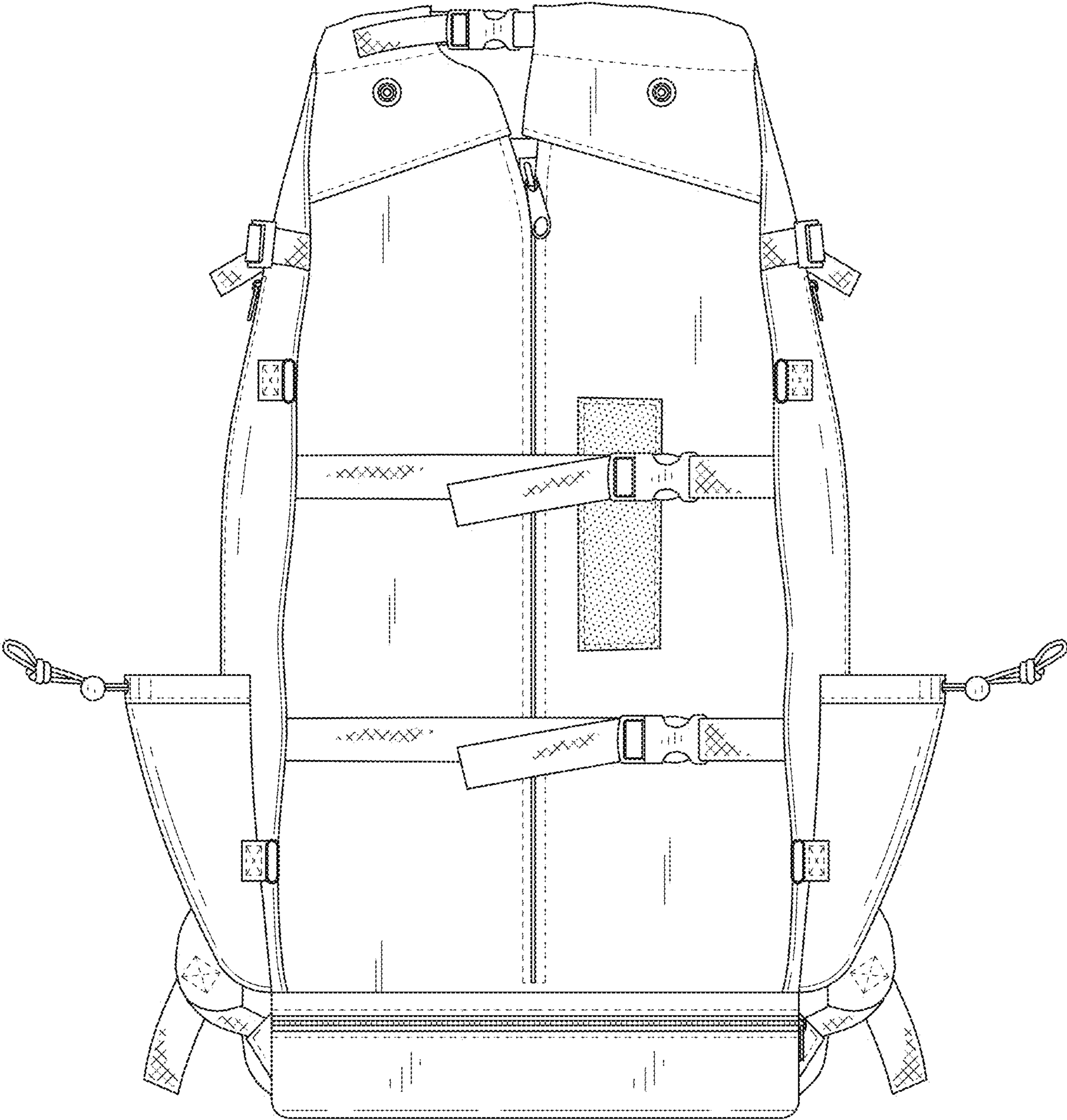


FIG. 2

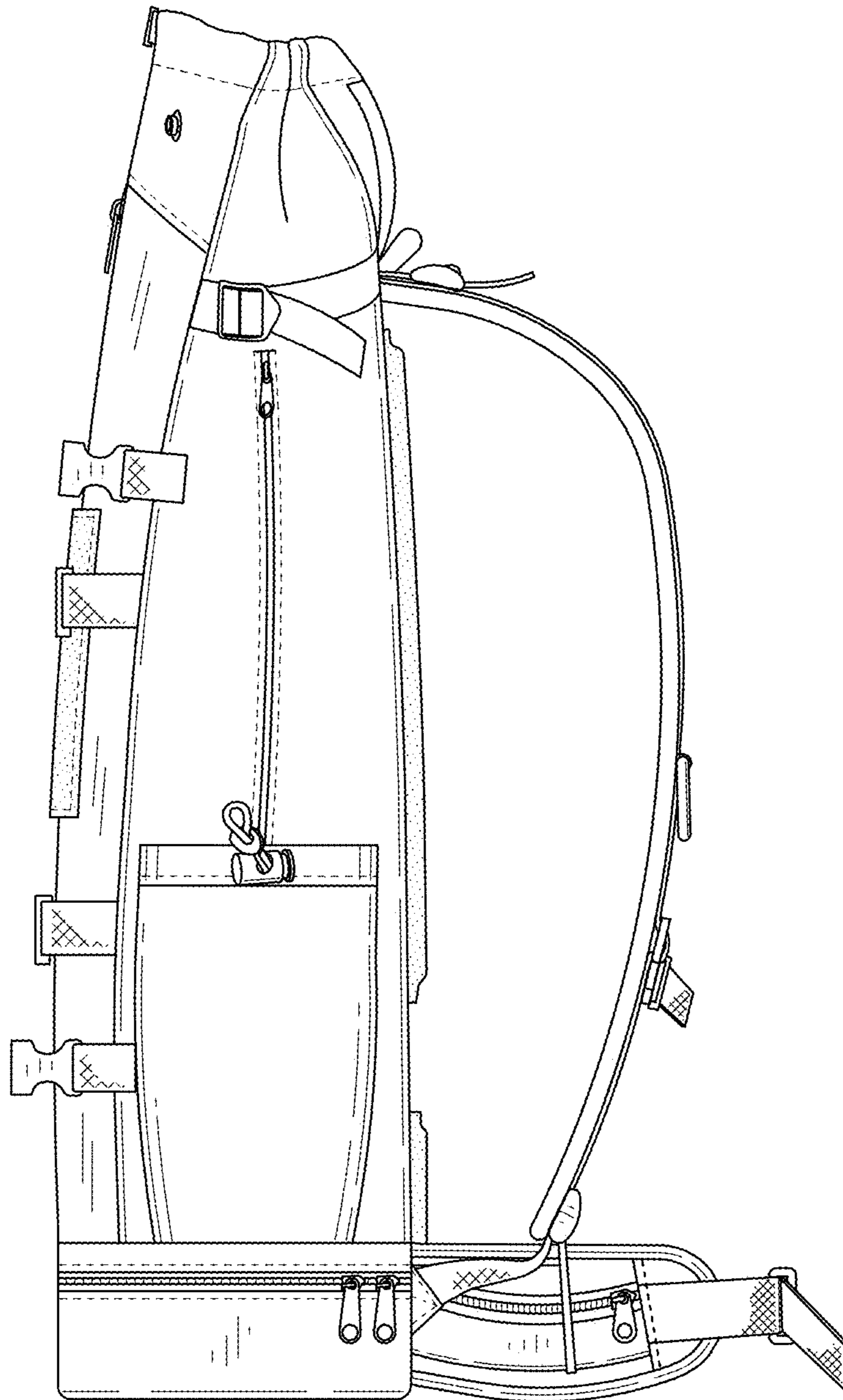


FIG. 3

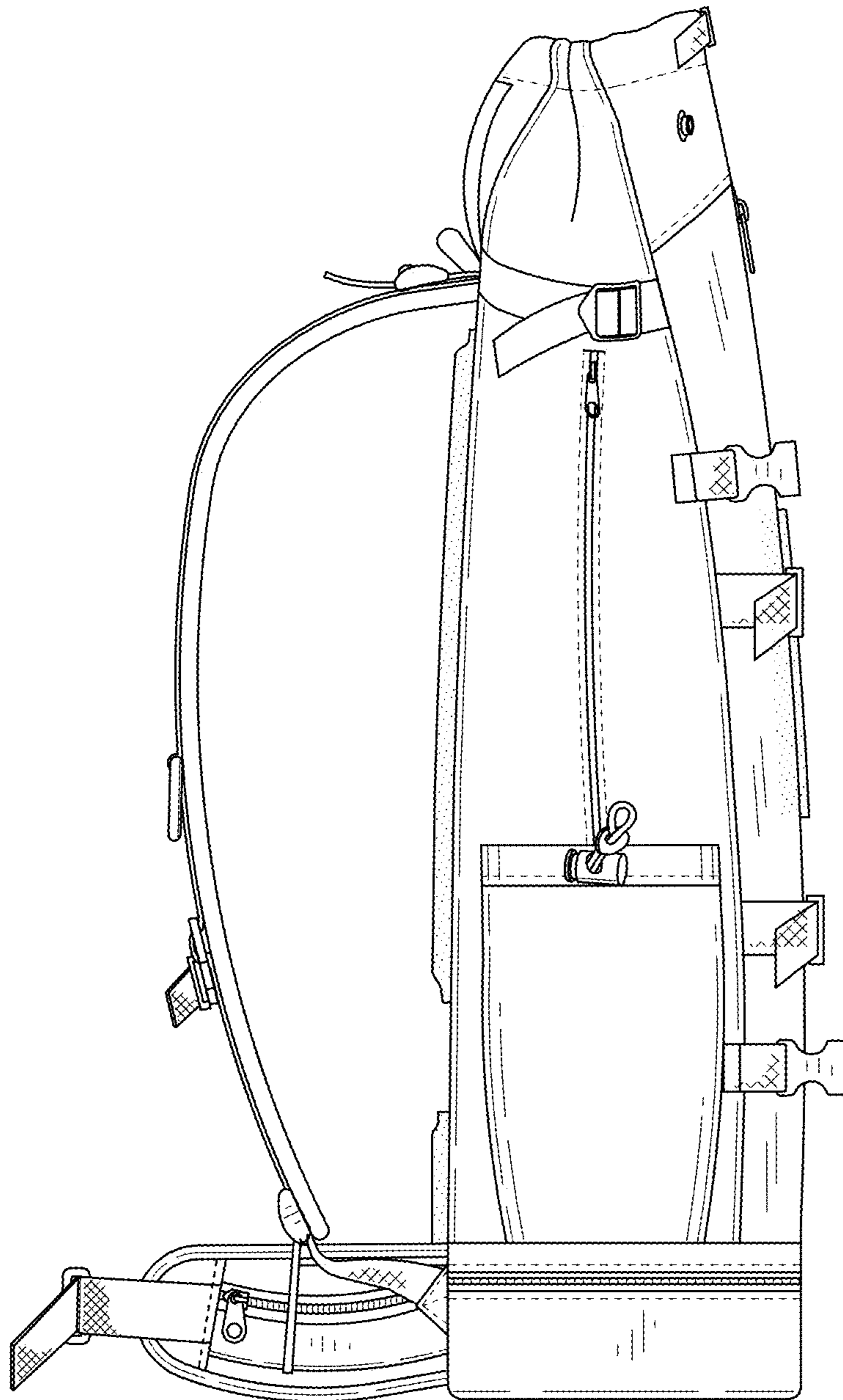


FIG. 4

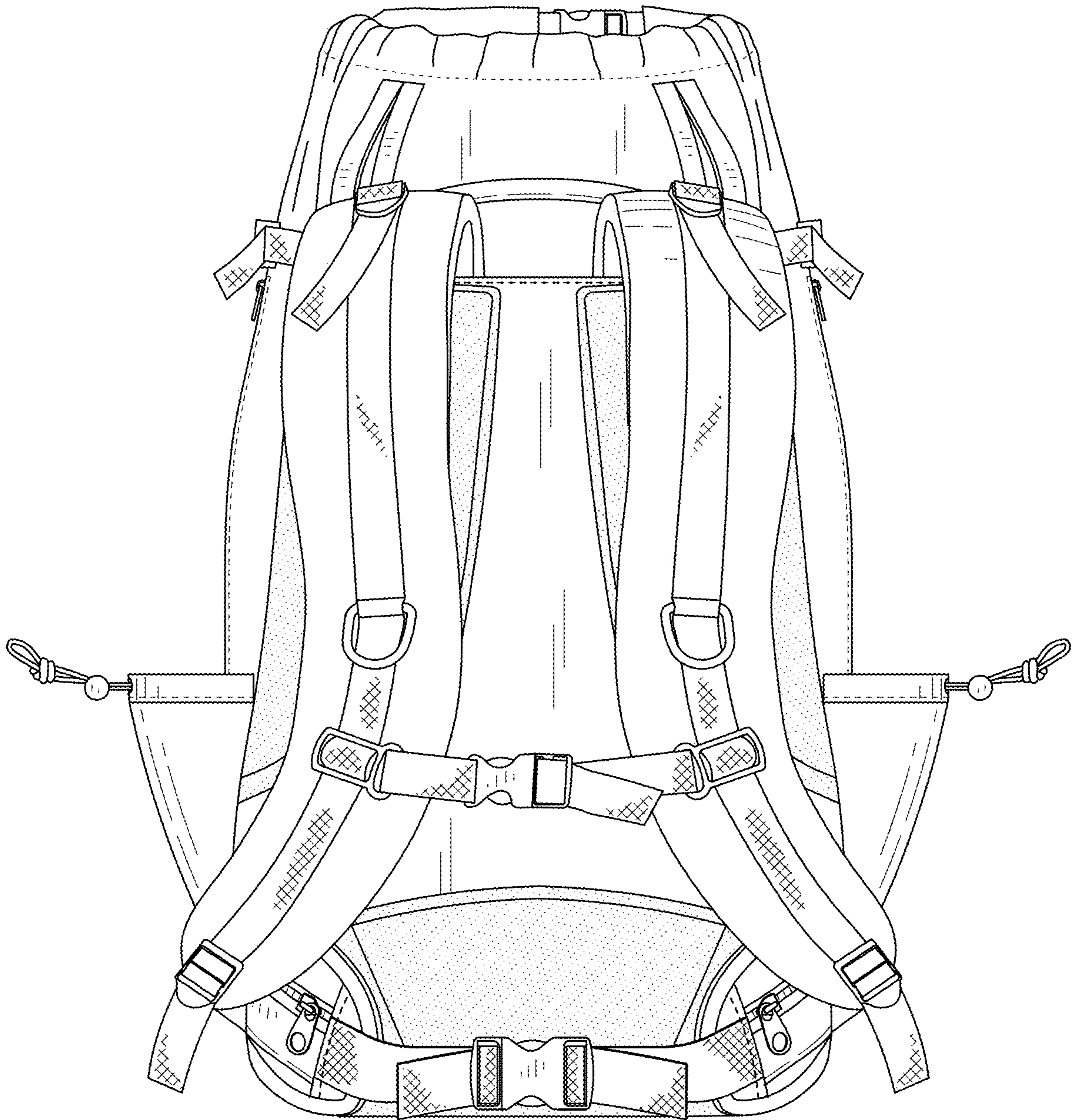


FIG. 5

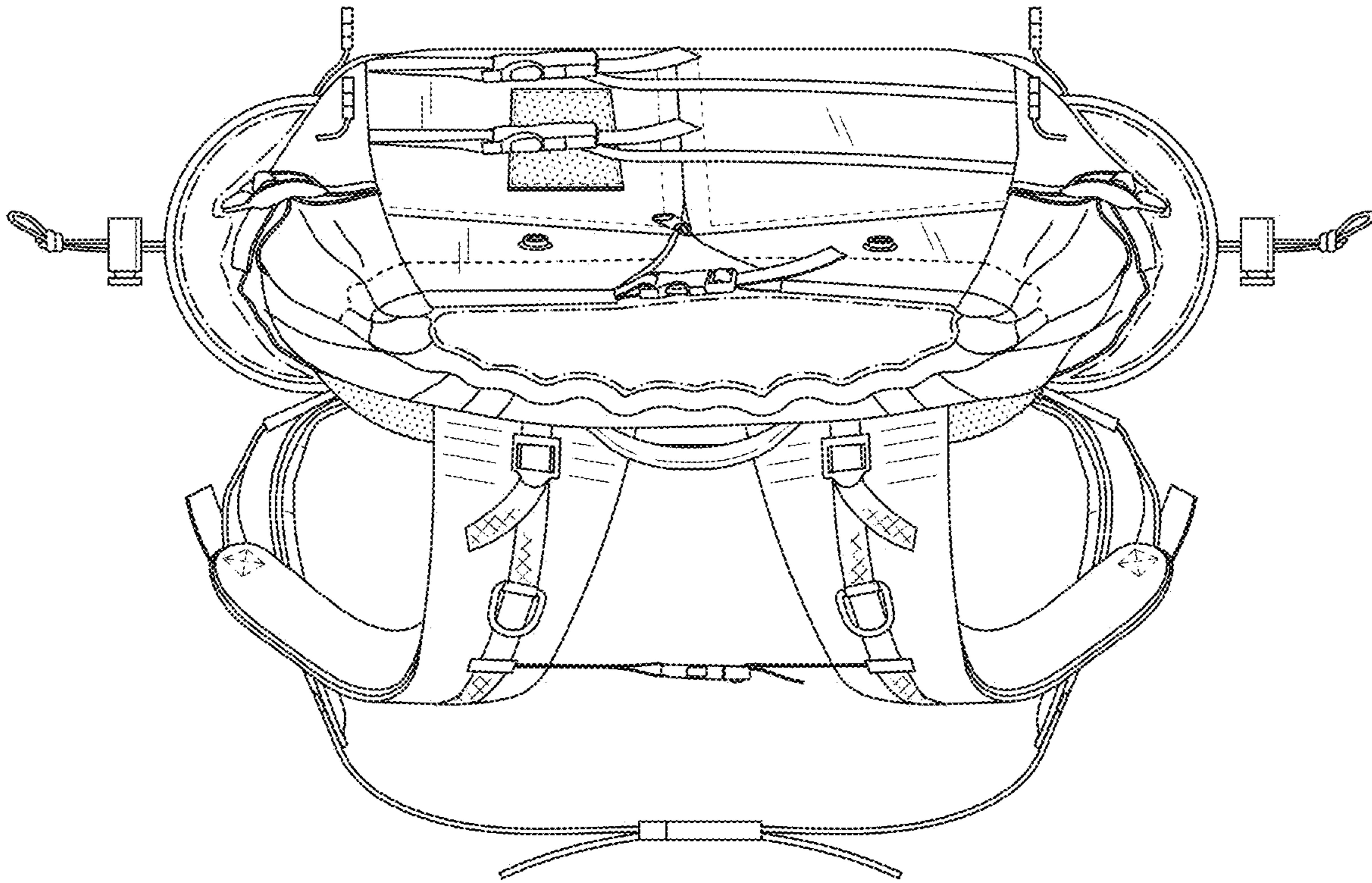


FIG. 6

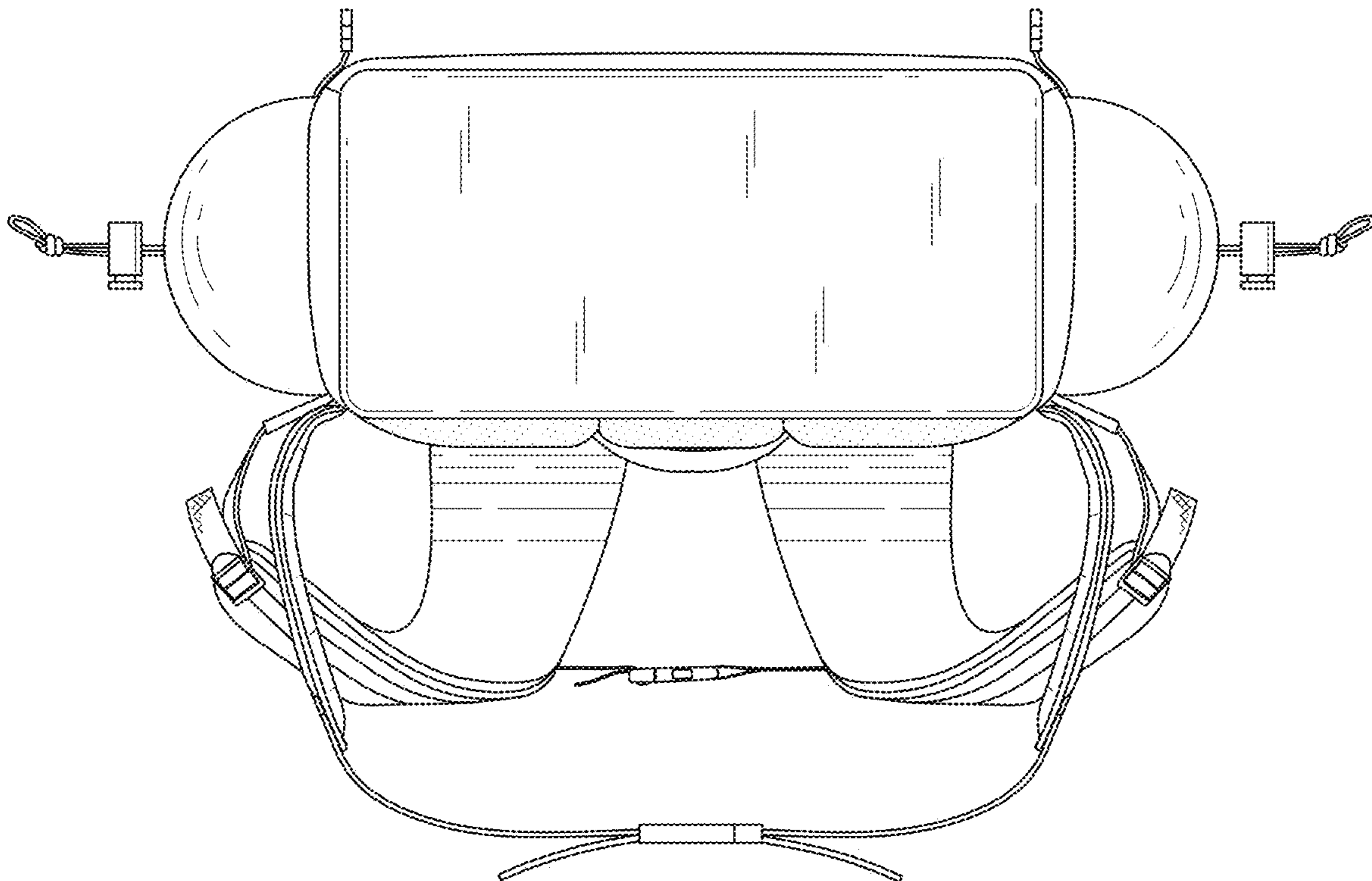


FIG. 7