



US00D909047S

(12) **United States Design Patent** (10) **Patent No.:** **US D909,047 S**  
**Rivera** (45) **Date of Patent:** **\*\* Feb. 2, 2021**

(54) **FIRST AID KIT**  
(71) Applicant: **George Rivera**, Walnut, CA (US)  
(72) Inventor: **George Rivera**, Walnut, CA (US)  
(\*\*) Term: **15 Years**  
(21) Appl. No.: **29/702,516**  
(22) Filed: **Aug. 20, 2019**  
(51) **LOC (13) Cl.** ..... **03-01**  
(52) **U.S. Cl.**  
USPC ..... **D3/203.6**  
(58) **Field of Classification Search**  
USPC ... D3/201, 203.1–203.8, 273, 294, 295, 901,  
D3/903, 905  
CPC . A45C 5/00; A45C 11/00; A61F 17/00; Y10S  
206/803  
See application file for complete search history.

D693,114 S \* 11/2013 Lemanski, Sr. .... D3/203.8  
D723,263 S \* 3/2015 Zhuang ..... D3/203.1  
D740,559 S \* 10/2015 Steele ..... D3/281  
D748,467 S \* 2/2016 Angeloni ..... D9/420  
D762,466 S \* 8/2016 Angeloni ..... D9/420  
D775,463 S \* 1/2017 Shieh ..... D3/215  
D804,806 S \* 12/2017 Stueckemann ..... D3/203.2  
D819,439 S \* 6/2018 Young ..... D9/420  
D831,330 S \* 10/2018 Kim ..... D3/203.1  
D835,901 S \* 12/2018 Kietzmann ..... D3/203.1  
D837,049 S \* 1/2019 Sumiya ..... D9/420  
D853,105 S \* 7/2019 Kietzmann ..... D3/203.1  
D854,814 S \* 7/2019 Kietzmann ..... D3/203.3

(Continued)

*Primary Examiner* — Steven J Czyz  
(74) *Attorney, Agent, or Firm* — Morland C. Fischer

(57) **CLAIM**

The ornamental design for a first aid kit, as shown and described.

**DESCRIPTION**

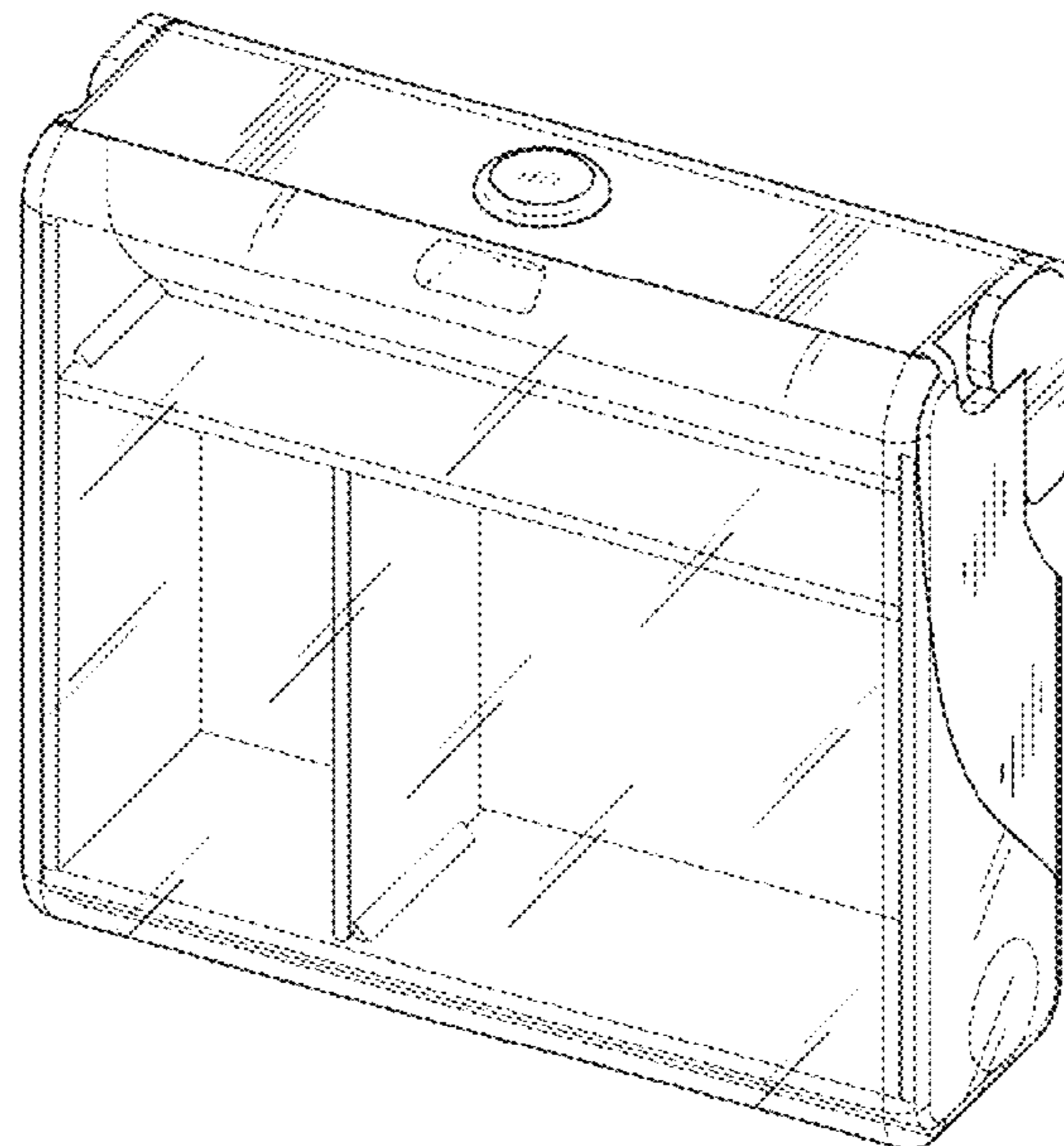
FIG. 1 is a front, top and right side perspective view of a first aid kit shown in a first configuration of use;  
FIG. 2 is a rear, top and left side perspective view of the first aid kit thereof;  
FIG. 3 is a top plan view thereof;  
FIG. 4 is a front elevational view thereof;  
FIG. 5 is a right side elevational view thereof;  
FIG. 6 is a left side elevational view thereof;  
FIG. 7 is a rear elevational view thereof;  
FIG. 8 is a bottom plan view thereof;  
FIG. 9 is a front, top and right side perspective view of the first aid kit shown in a second configuration of use; and,  
FIG. 10 is a front, top and right side perspective view of the first aid kit shown in a third configuration of use.  
The broken lines in the drawings depict portions of the first aid kit that form no part of the claimed design.

**1 Claim, 4 Drawing Sheets**

(56) **References Cited**

**U.S. PATENT DOCUMENTS**

D258,097 S \* 2/1981 Wistrand ..... D3/203.1  
D398,772 S \* 9/1998 Benham ..... D3/203.6  
D404,201 S \* 1/1999 Wennerstrom ..... D3/294  
D477,464 S \* 7/2003 Cang ..... D3/294  
D540,536 S \* 4/2007 Lam ..... D3/203.6  
D560,489 S \* 1/2008 Satnick ..... D3/293  
D579,195 S \* 10/2008 Kagawa ..... D3/203.1  
D589,703 S \* 4/2009 Wenchel ..... D3/273  
D606,393 S \* 12/2009 Easterbrook ..... D3/203.2  
D611,806 S \* 3/2010 Bried ..... D9/420  
D617,987 S \* 6/2010 Wang ..... D3/294  
D644,425 S \* 9/2011 Gilmour ..... D3/203.1  
D644,507 S \* 9/2011 Lee ..... B65D 83/04  
D9/417  
D645,338 S \* 9/2011 Kapur ..... D9/415  
D646,484 S \* 10/2011 Deguglimo ..... D3/281  
D681,937 S \* 5/2013 Peterson ..... D3/203.6  
D690,934 S \* 10/2013 Robinson ..... D3/294  
D691,803 S \* 10/2013 Chen ..... D3/294



(56)

**References Cited**

U.S. PATENT DOCUMENTS

D861,323 S	*	10/2019	Kietzmann .....	D3/203.1
D873,555 S	*	1/2020	Wurm .....	D3/203.1
D882,394 S	*	4/2020	Griffin .....	D9/420
D889,118 S	*	7/2020	Lee .....	D3/203.2

\* cited by examiner

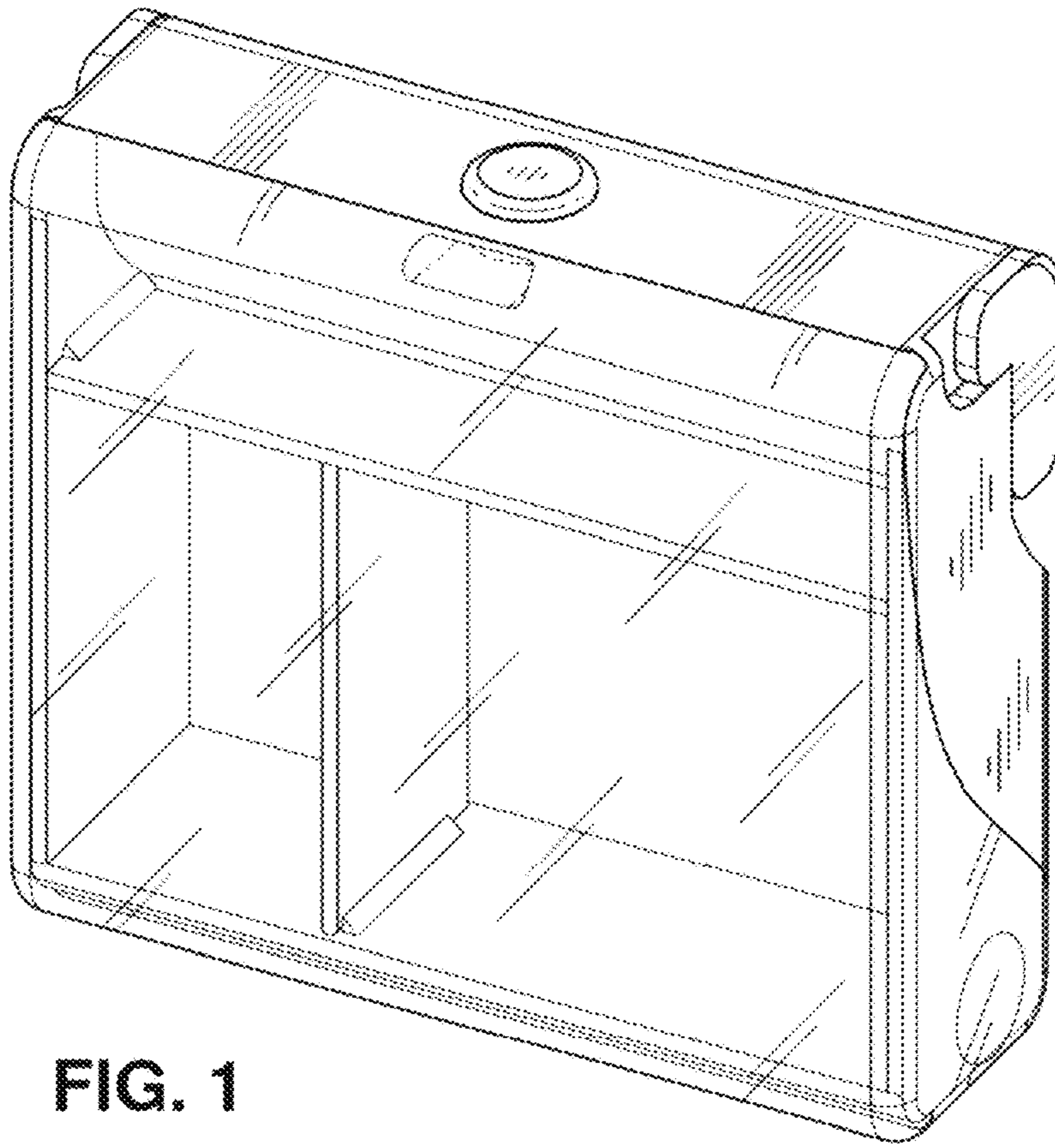


FIG. 1

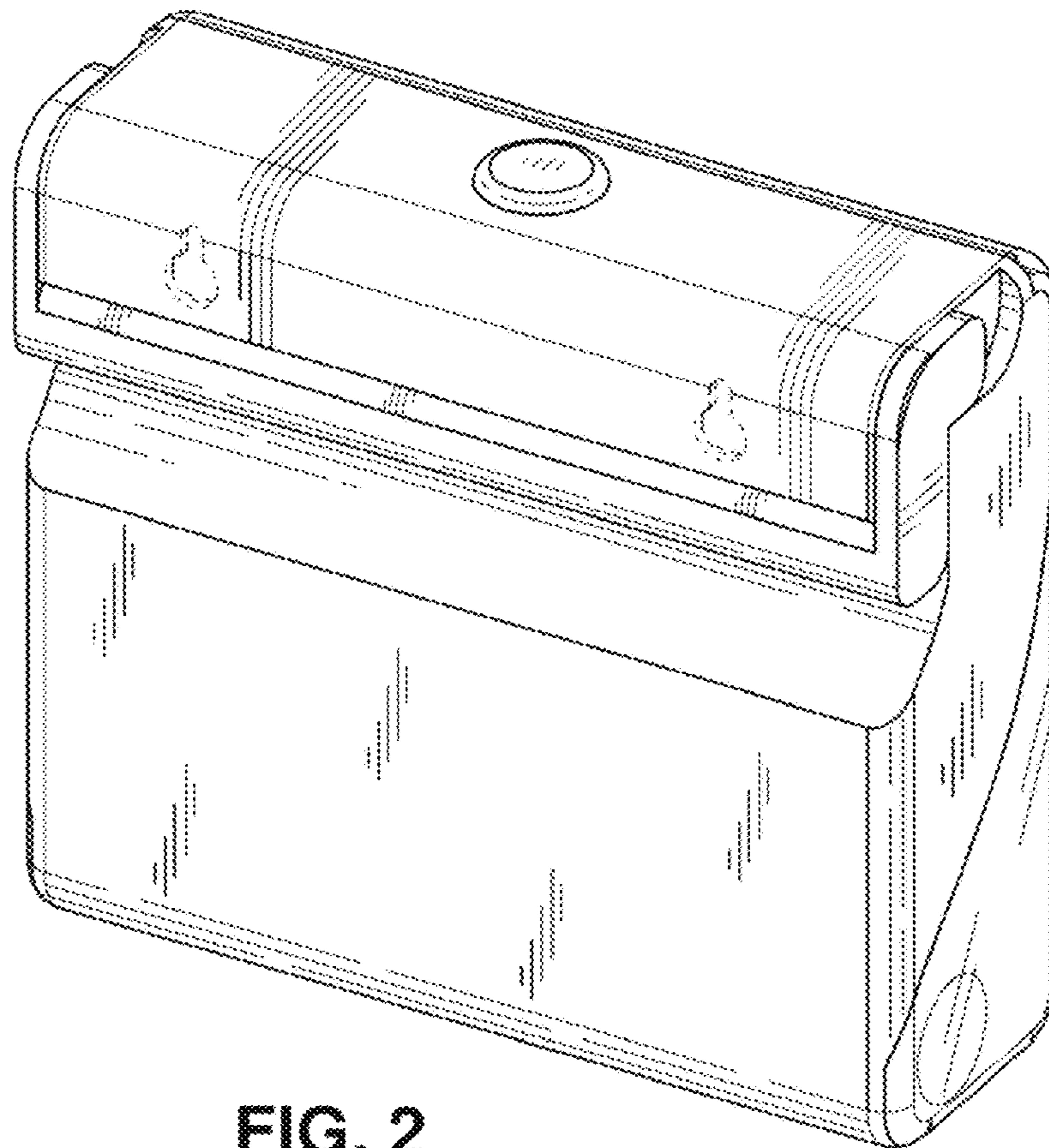
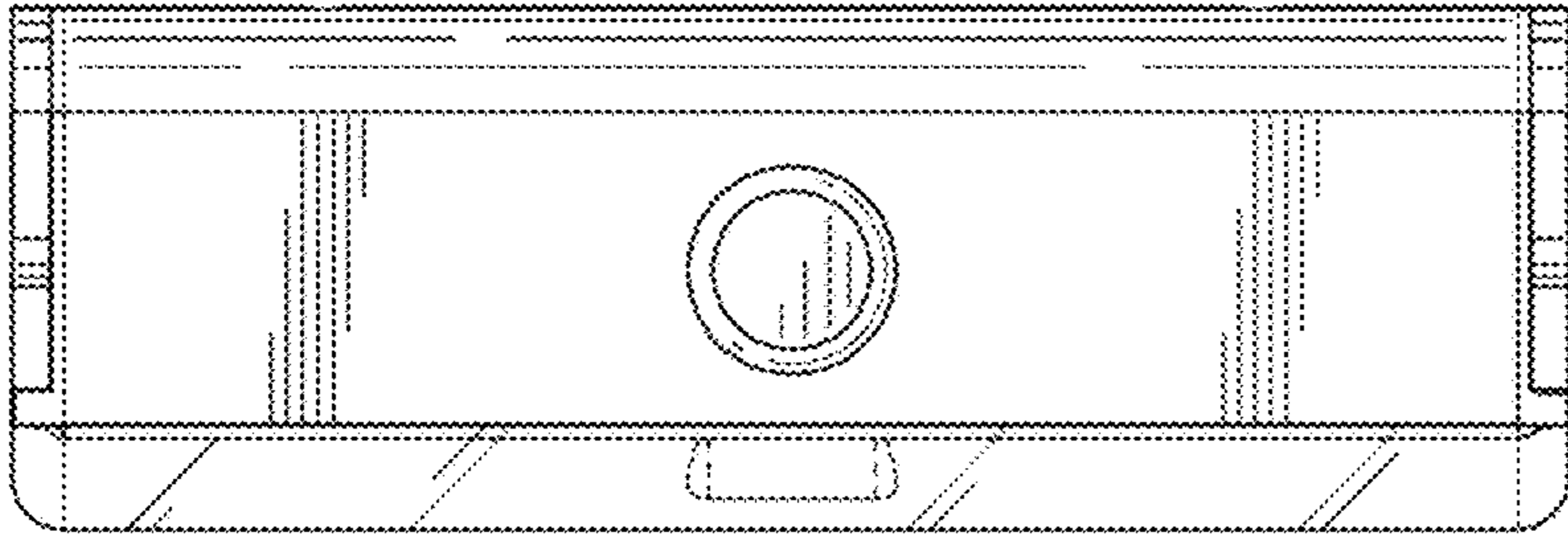
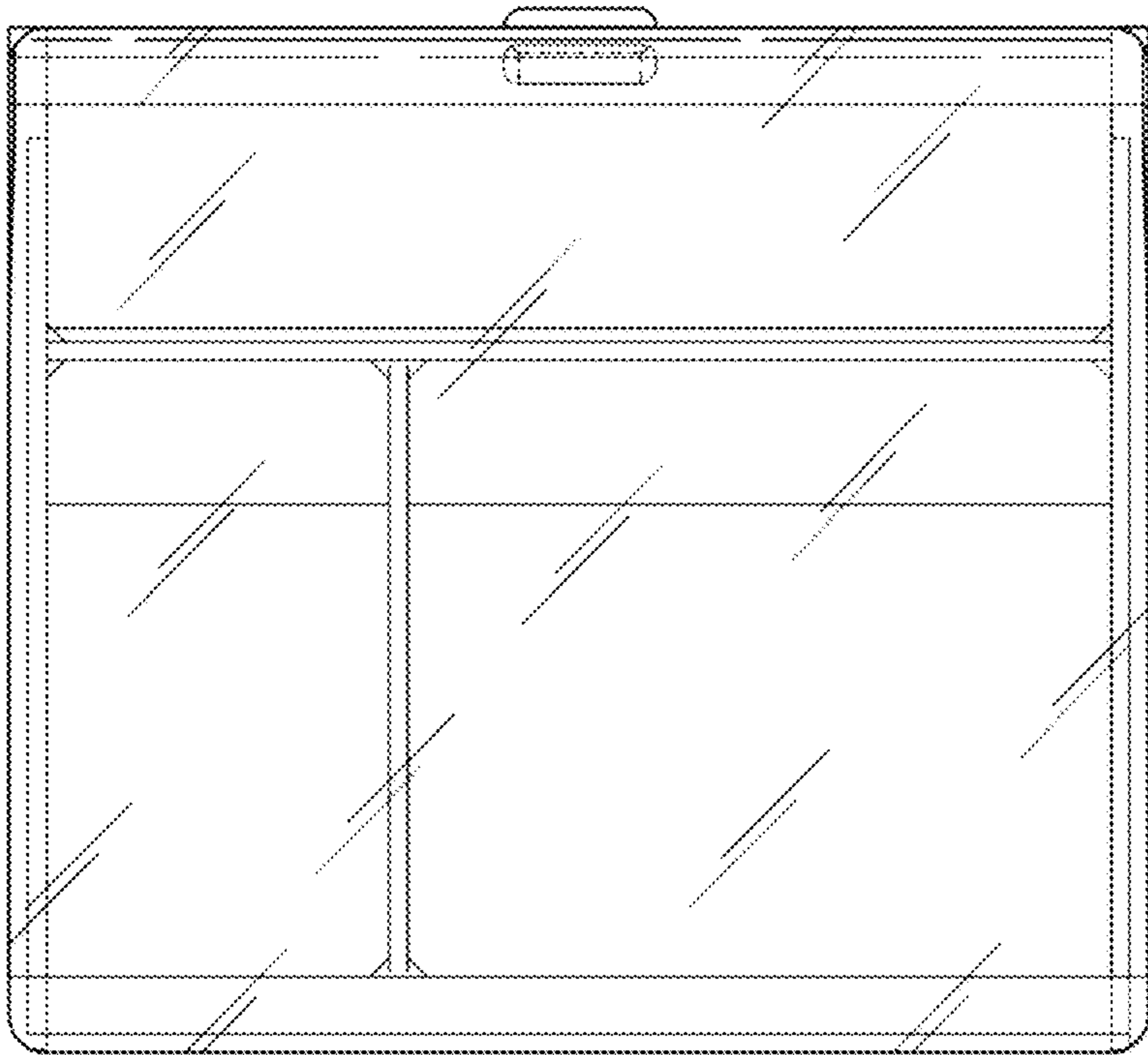


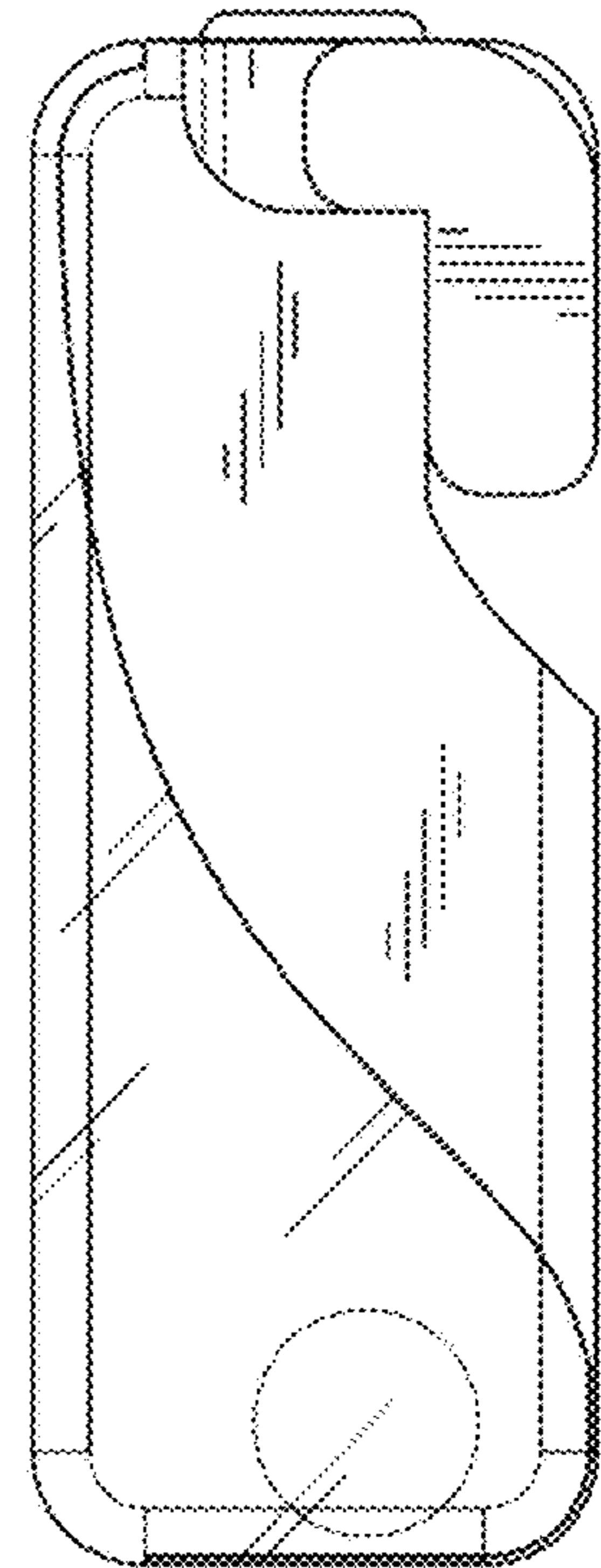
FIG. 2



**FIG. 3**



**FIG. 4**



**FIG. 5**

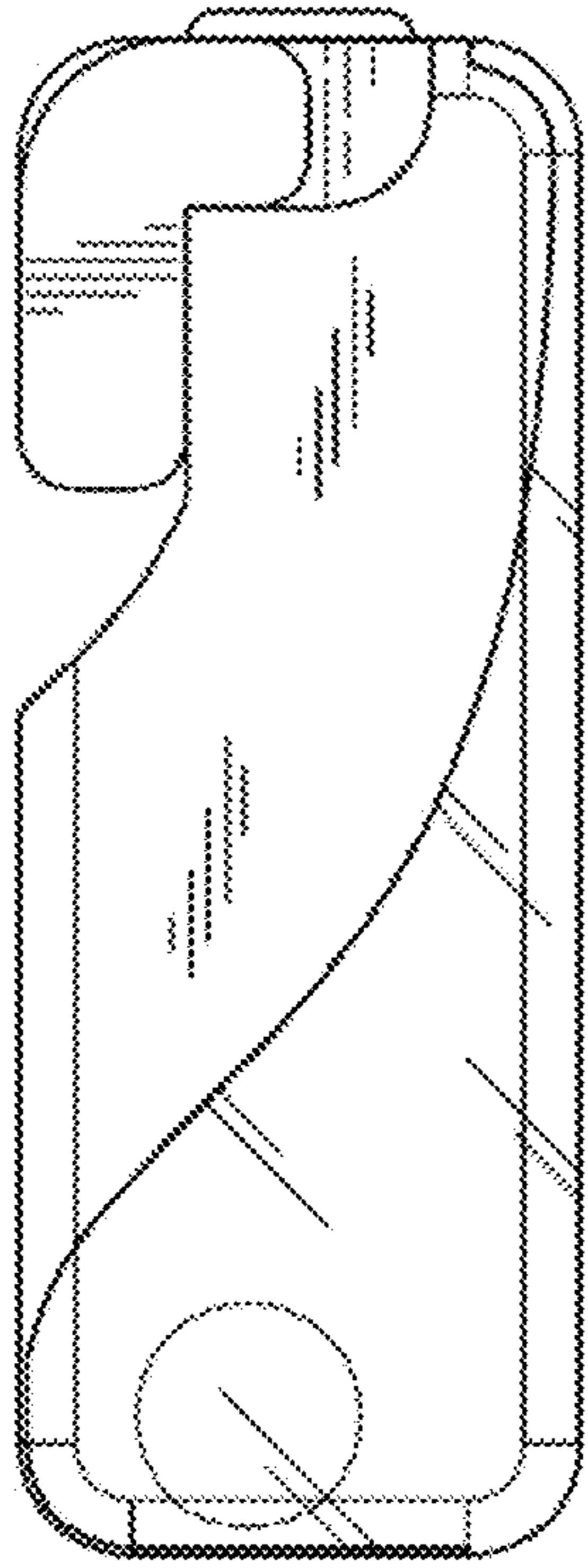


FIG. 6

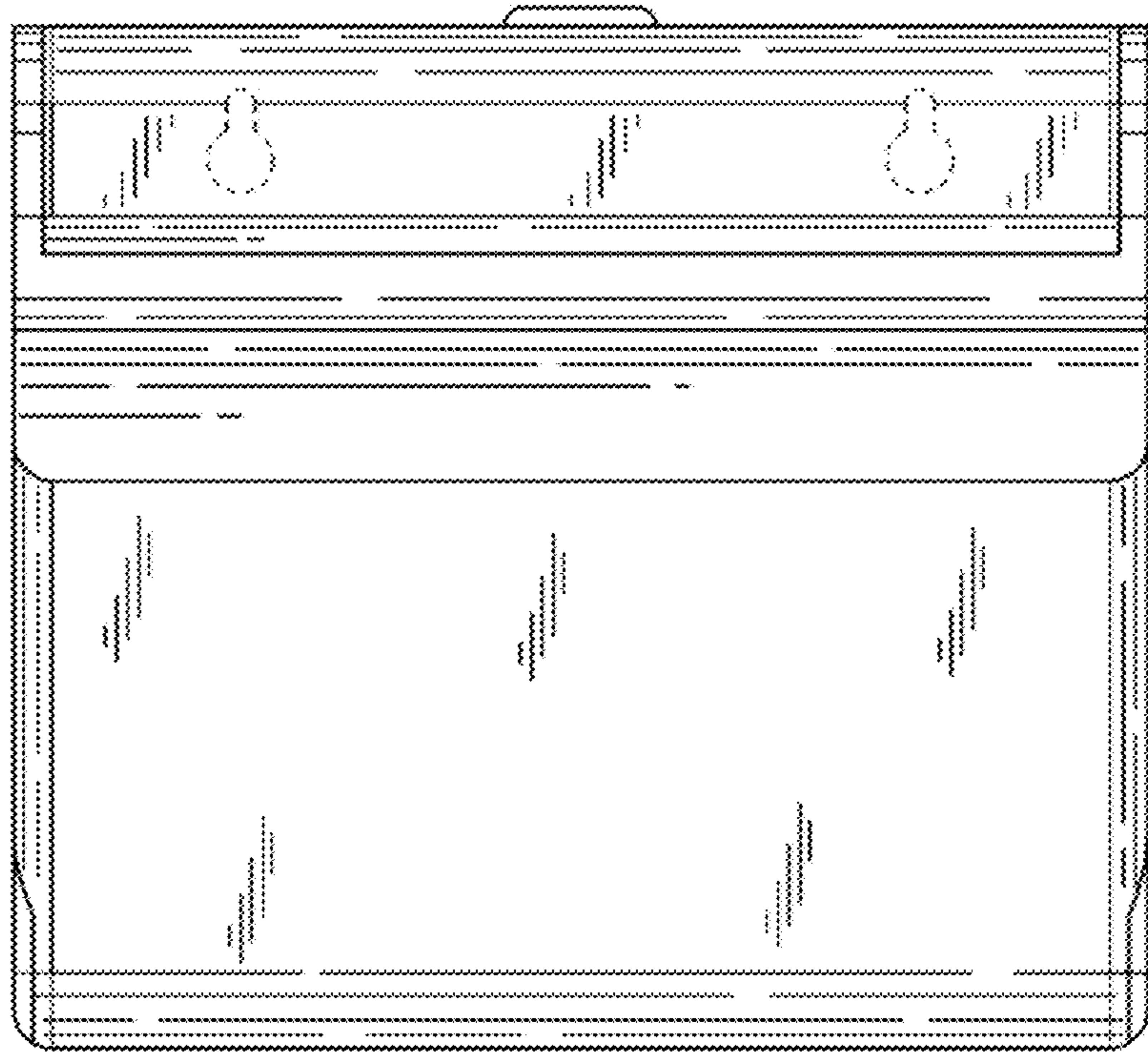


FIG. 7

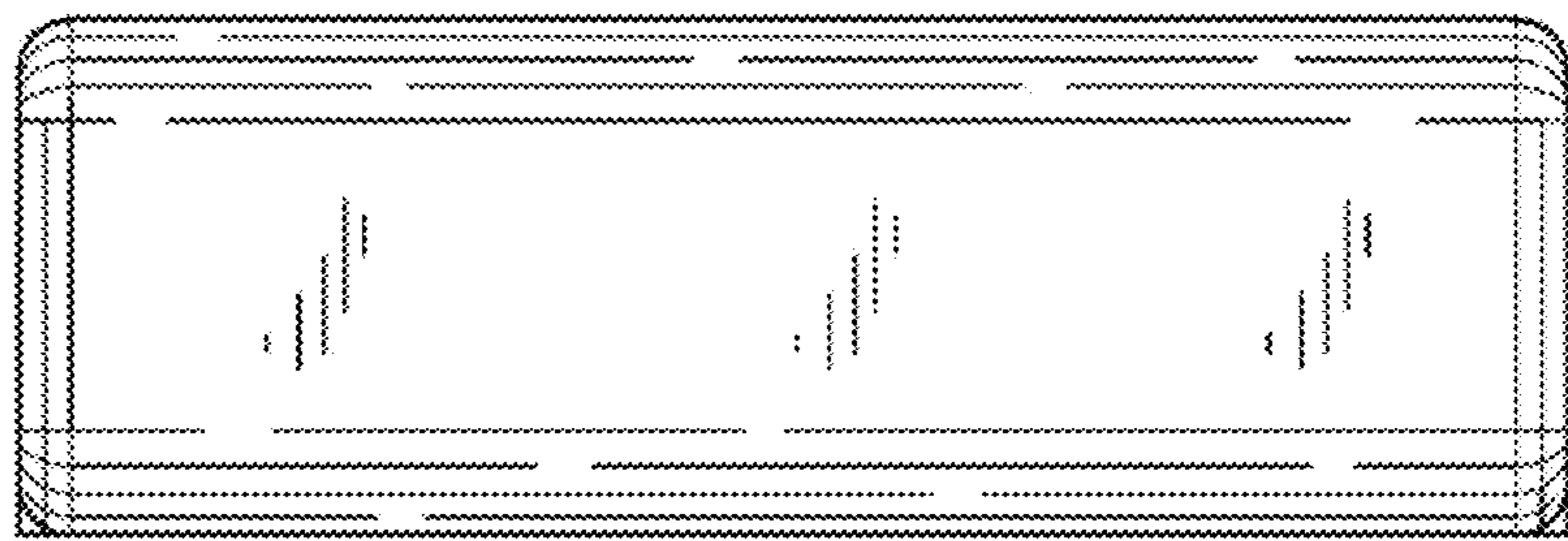


FIG. 8

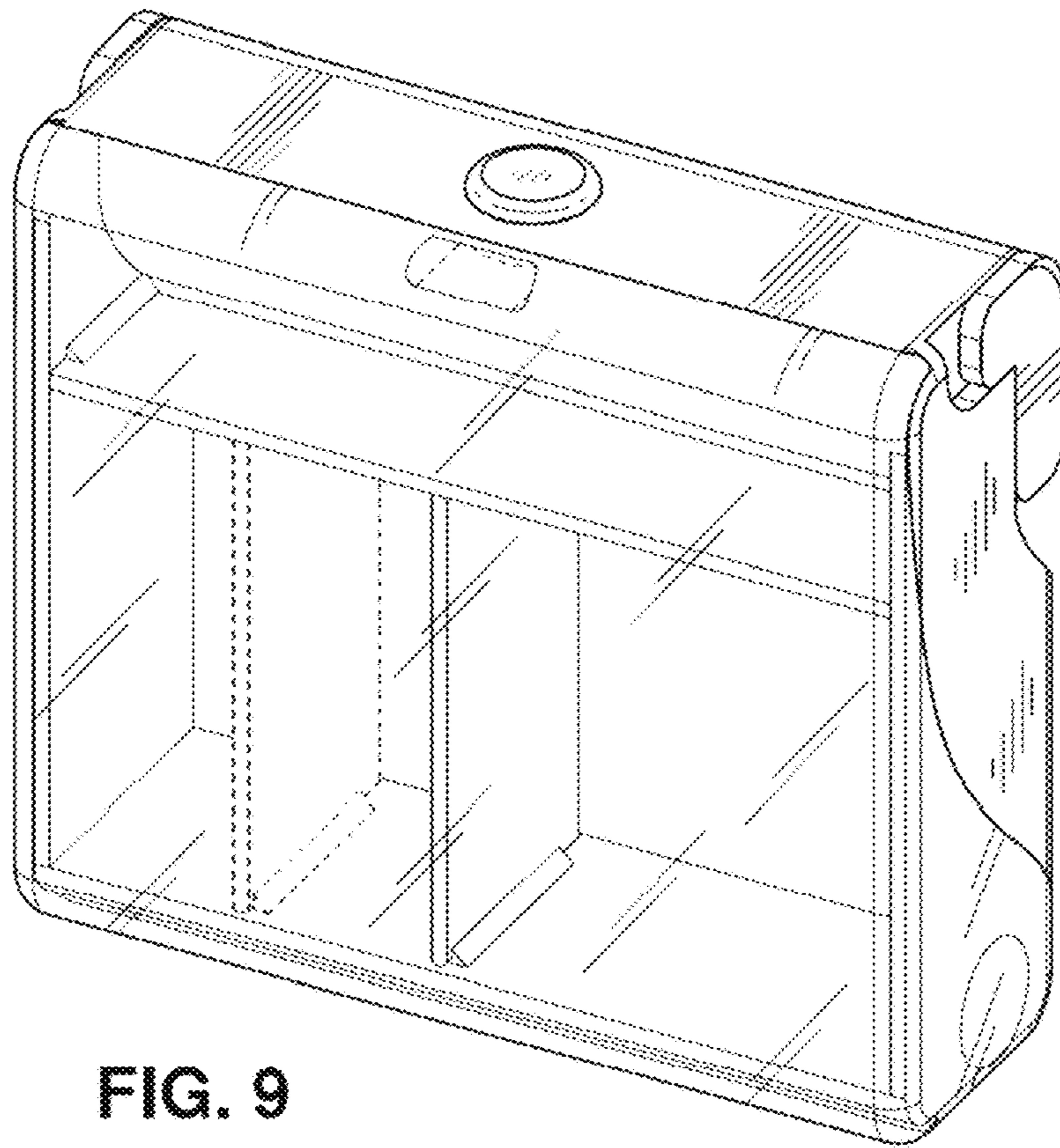


FIG. 9

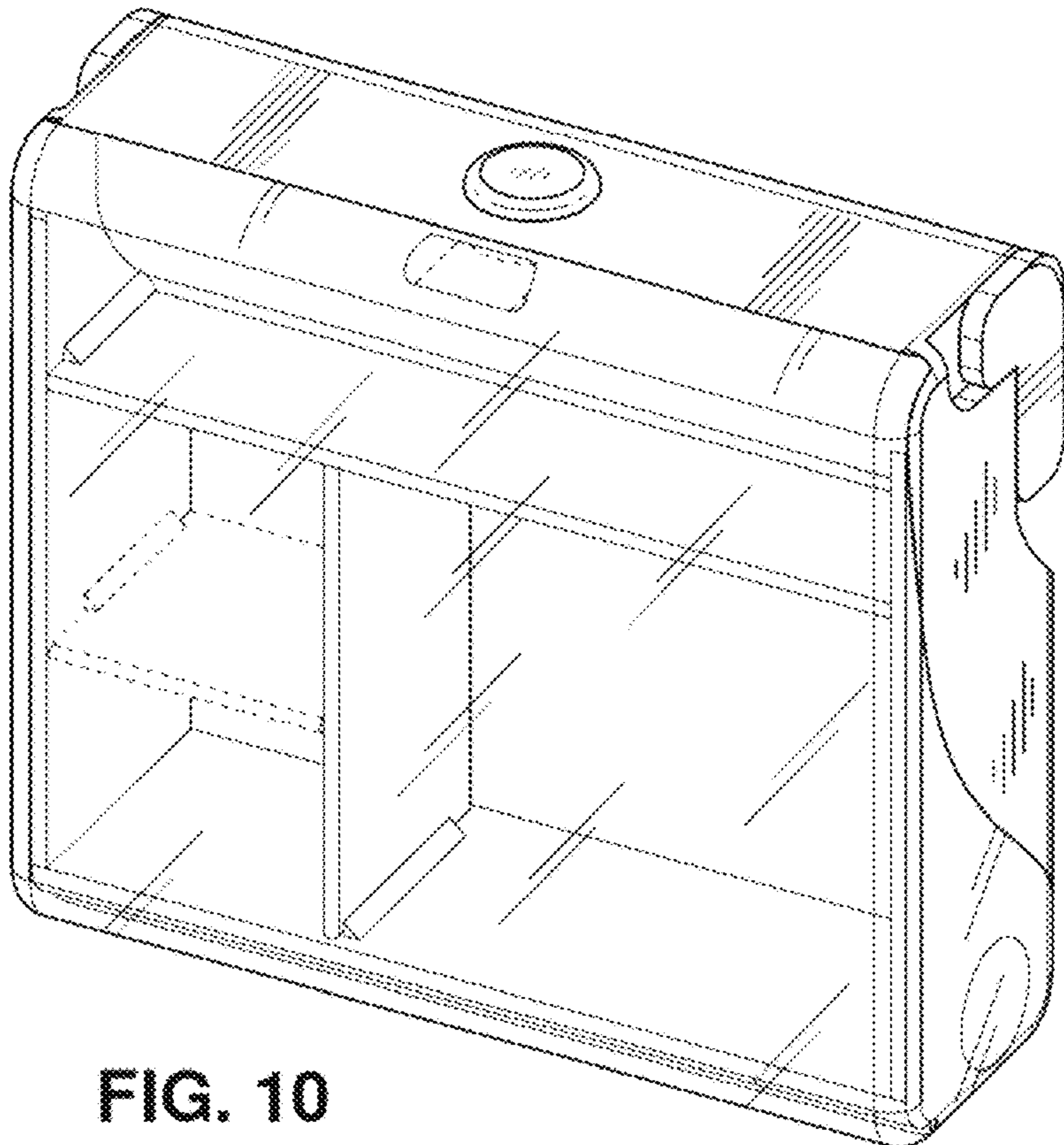


FIG. 10