



US00D909046S

(12) **United States Design Patent**
Chua

(10) **Patent No.:** **US D909,046 S**

(45) **Date of Patent:** **** Feb. 2, 2021**

(54) **MANUAL BREAST PUMP CAPSULE**

(71) Applicant: **Poh Leng Jeffrey Chua**, Singapore
(SG)

(72) Inventor: **Poh Leng Jeffrey Chua**, Singapore
(SG)

(**) Term: **15 Years**

(21) Appl. No.: **29/703,314**

(22) Filed: **Aug. 26, 2019**

(51) **LOC (13) Cl.** **03-01**

(52) **U.S. Cl.**
USPC **D3/203.1**

(58) **Field of Classification Search**
USPC D3/201, 203.1, 203.6, 204, 269, 270,
D3/273; D24/109

(Continued)

(56) **References Cited**

U.S. PATENT DOCUMENTS

D258,626 S * 3/1981 Dembicks D3/204
D285,884 S * 9/1986 Wise D3/269

(Continued)

FOREIGN PATENT DOCUMENTS

CA 184104 9/2019
CN 303890343 A 10/2016
CN 303890427 S 11/2016

OTHER PUBLICATIONS

Chua, Poh Leng, Jeffrey, Design Patent Application entitled "Manual Breast Pump", filed Sep. 15, 2018, U.S. Appl. No. 29/663,465.

(Continued)

Primary Examiner — Steven J Czyz

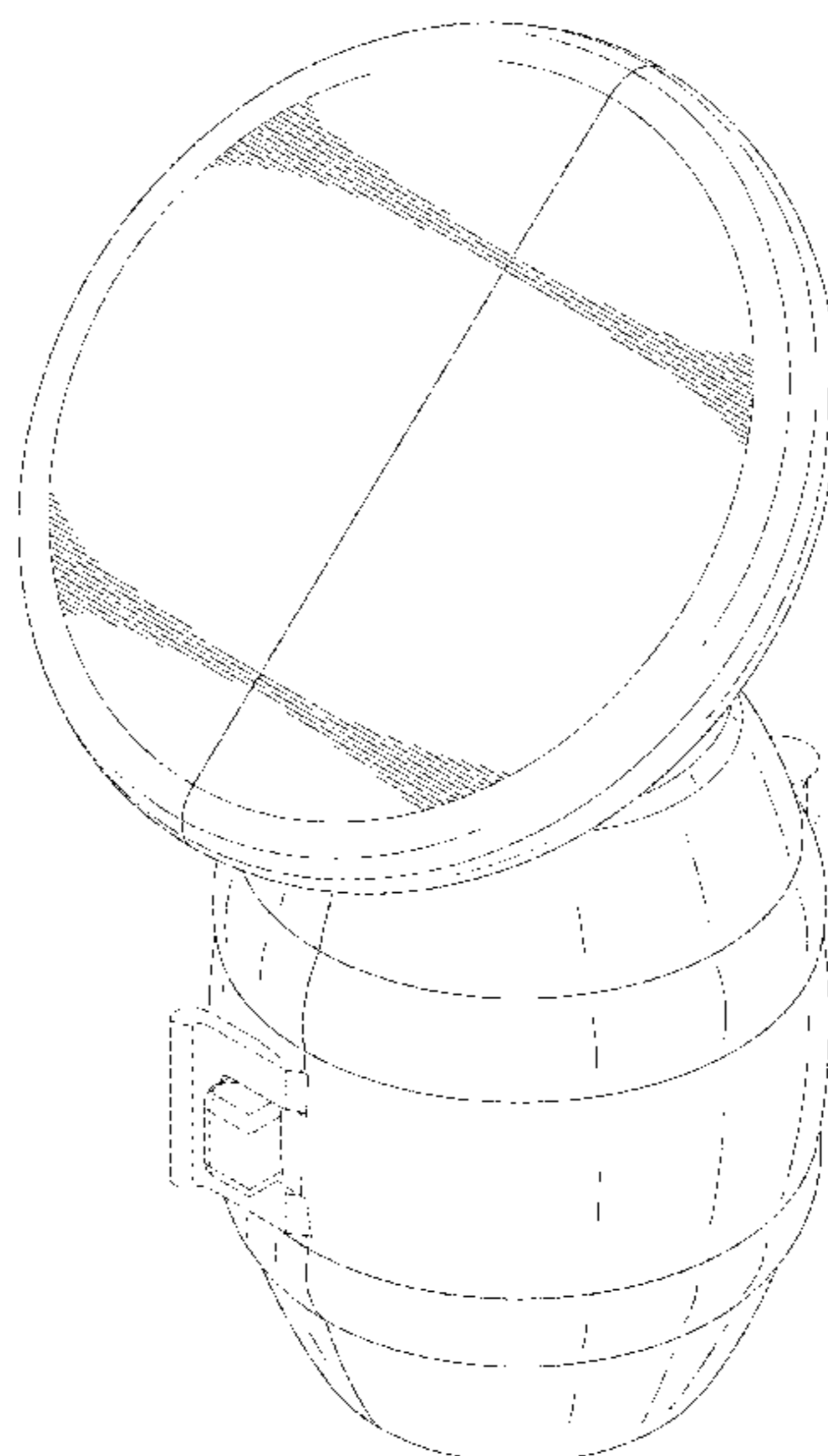
(57) **CLAIM**

The ornamental design for a manual breast pump capsule, as shown and described.

DESCRIPTION

FIG. 1 is an isometric view of a manual breast pump capsule in accordance with my new design;
FIG. 2 is a front elevation view thereof;
FIG. 3 is a back view thereof;
FIG. 4 is a side view thereof;
FIG. 5 is a side view thereof, for the side opposite that of FIG. 4;
FIG. 6 is a top elevation view thereof;
FIG. 7 is a bottom elevation view thereof;
FIG. 8 is a perspective view of the manual breast pump capsule, shown open with environment;
FIG. 9 is an isometric view of a second embodiment of the manual breast pump capsule;
FIG. 10 is a front elevation view thereof;
FIG. 11 is a back view thereof;
FIG. 12 is a side view thereof;
FIG. 13 is a side view thereof, for the side opposite that of FIG. 12;
FIG. 14 is a top elevation view thereof;
FIG. 15 is a bottom elevation view thereof;
FIG. 16 is a perspective view of the manual breast pump capsule, shown open with environment;
FIG. 17 is an isometric view of a third embodiment of the manual breast pump capsule;
FIG. 18 is a front view thereof;
FIG. 19 is a back view thereof;
FIG. 20 is side view thereof;
FIG. 21 is a side view thereof, for the side opposite that of FIG. 20;
FIG. 22 is a top elevation view thereof;
FIG. 23 is a bottom elevation view thereof; and,
FIG. 24 is a perspective view of the manual breast pump capsule, shown open with environment.
The broken lines depict portions of the article and environment that form no part of the claimed design.

1 Claim, 24 Drawing Sheets



(58) **Field of Classification Search**

CPC A45F 2200/05; A45C 5/00; A45C 5/005;
 A45C 5/08; A45C 13/002; A61M 1/062;
 A61M 1/066; A61M 2209/088; A61G
 7/0503

See application file for complete search history.

D874,815 S * 2/2020 Wells D3/203.1
 10,716,882 B2 * 7/2020 Evans A61M 1/064
 10,744,243 B2 * 8/2020 Rigert A61M 1/06

OTHER PUBLICATIONS

Chua, Poh Leng, Jeffrey, Patent Application entitled "Breast Milk Collection and Storage System and Method of Use", filed Aug. 26, 2019, U.S. Appl. No. 16/551,461.

Chua, Poh Leng, Jeffrey, EP Design Patent Application entitled "Capsule for Silicone Breast Pump", filed Sep. 12, 2019, Serial No. 006861837-0001.

Chua, Poh Leng, Jeffrey, EP Design Patent Application entitled "Capsule for Silicone Breast Pump", filed Sep. 12, 2019, Serial No. 006861837-0002.

Chua, Poh Leng, Jeffrey, EP Design Patent Application entitled "Capsule for Silicone Breast Pump", filed Sep. 12, 2019, Serial No. 006861837-0003.

Chua, Poh Leng, Jeffrey, EP Design Patent Application entitled "Strap for Silicone Breast Pump", filed Sep. 12, 2019, Serial No. 006859468-0001.

Chua, Poh Leng, Jeffrey, Patent Application entitled "Manual Breast Pump and Method of Use", filed Sep. 15, 2018, U.S. Appl. No. 16/132,362.

Chua, Poh Leng, Jeffrey, European Design Patent Application entitled "Silicone Breast Pump", filed Sep. 7, 2018, Serial No. 005633328-0002.

Chua, Poh Leng, Jeffrey, Chinese Design Patent Application entitled "Silicone Breast Pump", filed May 4, 2018, Serial No. 201830197234.9.

Babytree: Manual Breast Pump Listing; Retrieved from URL: http://www.babytree.com/commnity/club201400/topic_201912410.html (published on May 28, 2014).

Funny Baby: Eight Yuan poly cost-effective full silicone natural breast pump; retrieved from URL: <http://product.800400.net/detail/7816236.html> (published on Dec. 18, 2014).

* cited by examiner

(56) **References Cited**

U.S. PATENT DOCUMENTS

5,370,622 A * 12/1994 Livingston A45C 11/22
 224/247
 5,776,098 A * 7/1998 Silver A61M 1/06
 604/74
 D408,625 S * 4/1999 Barker D3/203.1
 D427,425 S * 7/2000 Stahl D3/203.1
 D457,307 S * 5/2002 Pukall D3/216
 6,702,167 B2 * 3/2004 Annis A45C 15/00
 224/576
 D583,985 S * 12/2008 Warden D26/109
 D679,904 S * 4/2013 Allan D3/203.1
 D702,040 S * 4/2014 Bozzi D3/203.1
 8,845,604 B2 * 9/2014 Croizat A61M 1/0088
 604/319
 D730,048 S * 5/2015 Muller D3/269
 D731,180 S * 6/2015 Neuhaus D3/273
 D783,803 S * 4/2017 Rigert D24/109
 D808,006 S * 1/2018 Zhang D24/109
 D810,925 S * 2/2018 Zhang D24/109
 10,016,566 B2 * 7/2018 Zhang A61M 1/062
 D826,545 S * 8/2018 Brothers D3/201
 D826,546 S * 8/2018 Brothers D3/201
 10,264,862 B2 * 4/2019 Makuyana A47D 9/005
 D847,490 S * 5/2019 Pernefeldt D3/204
 D871,566 S * 12/2019 Zhang D24/109
 D874,126 S * 2/2020 Peters D3/201

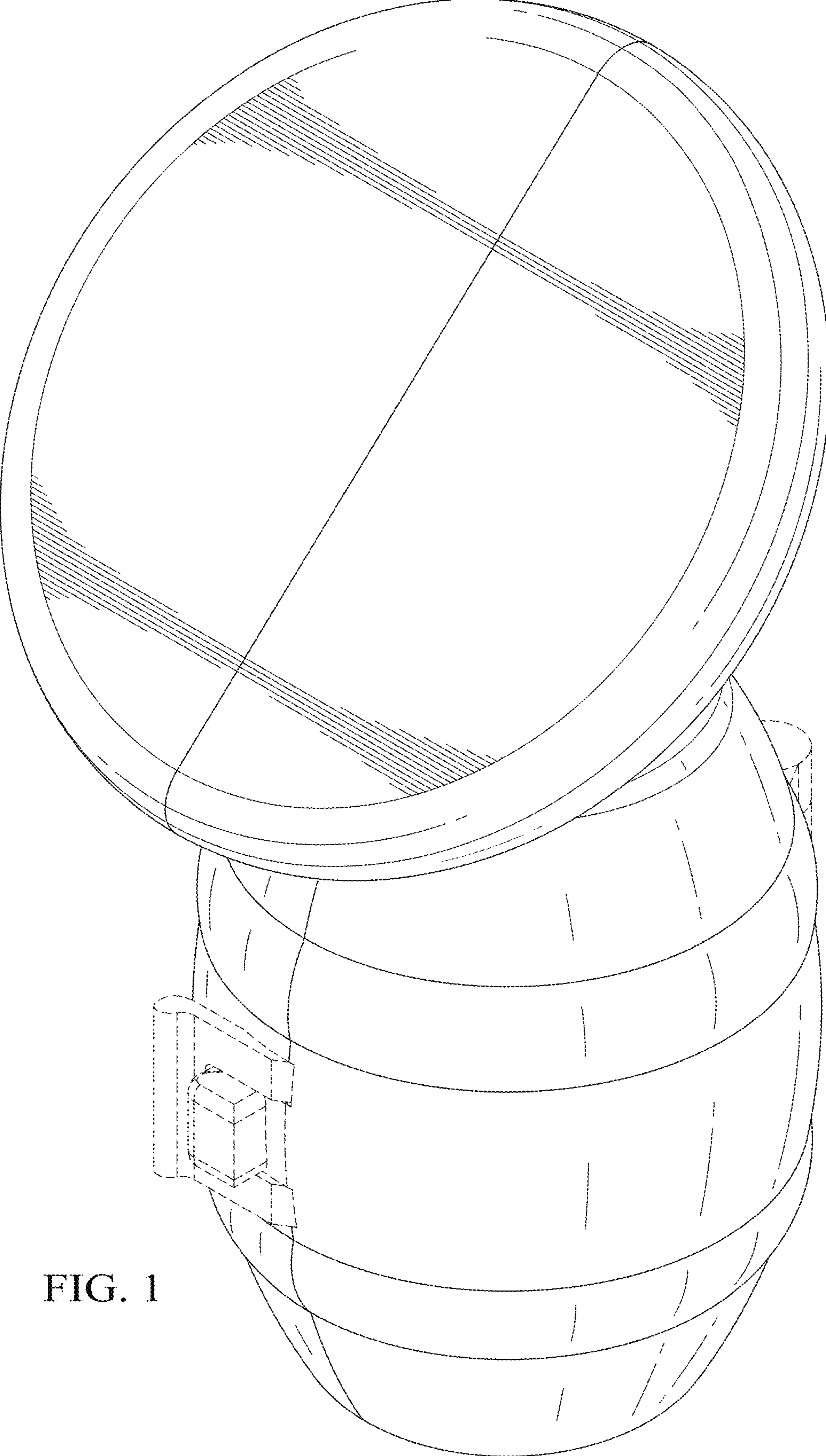


FIG. 1

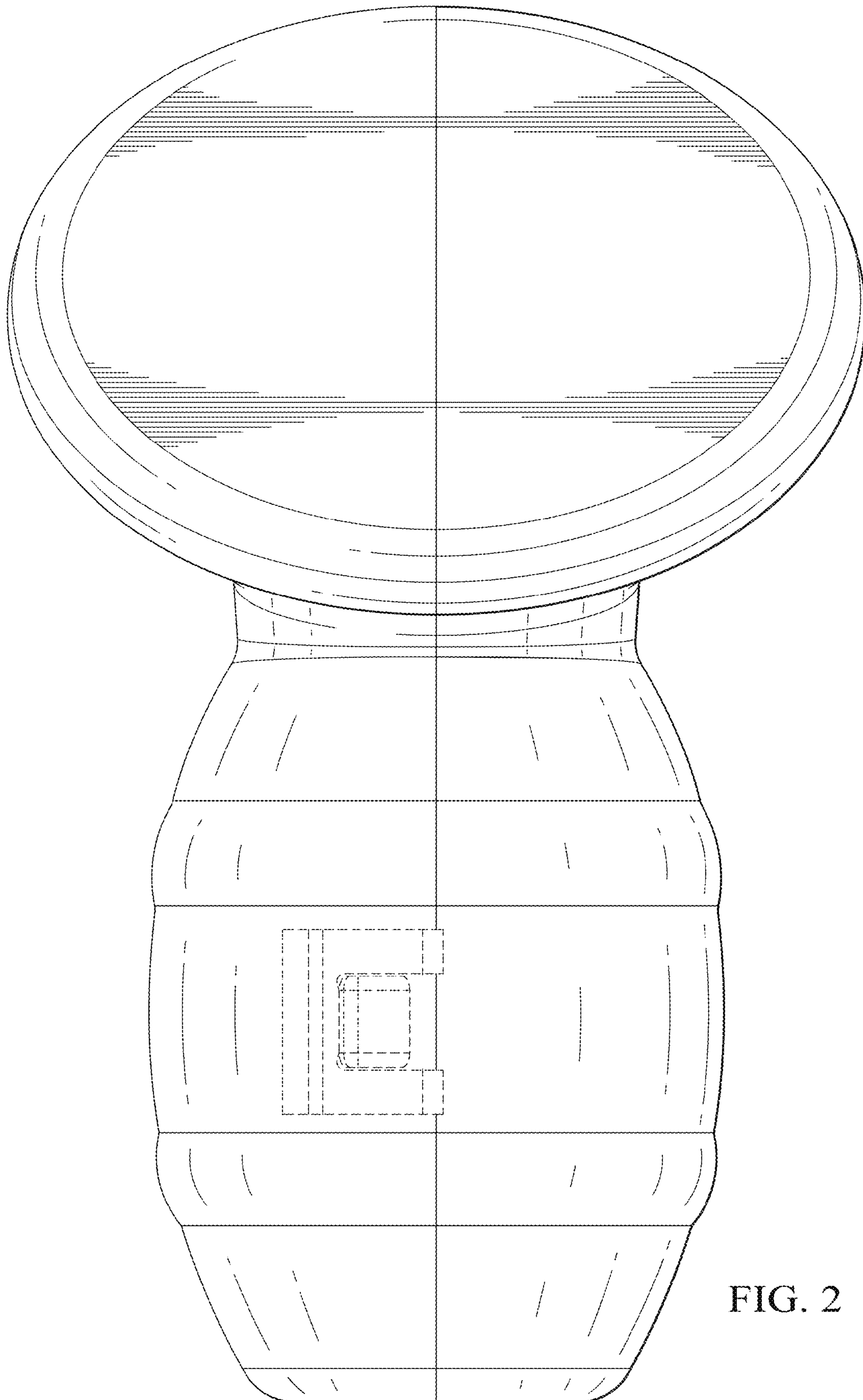


FIG. 2

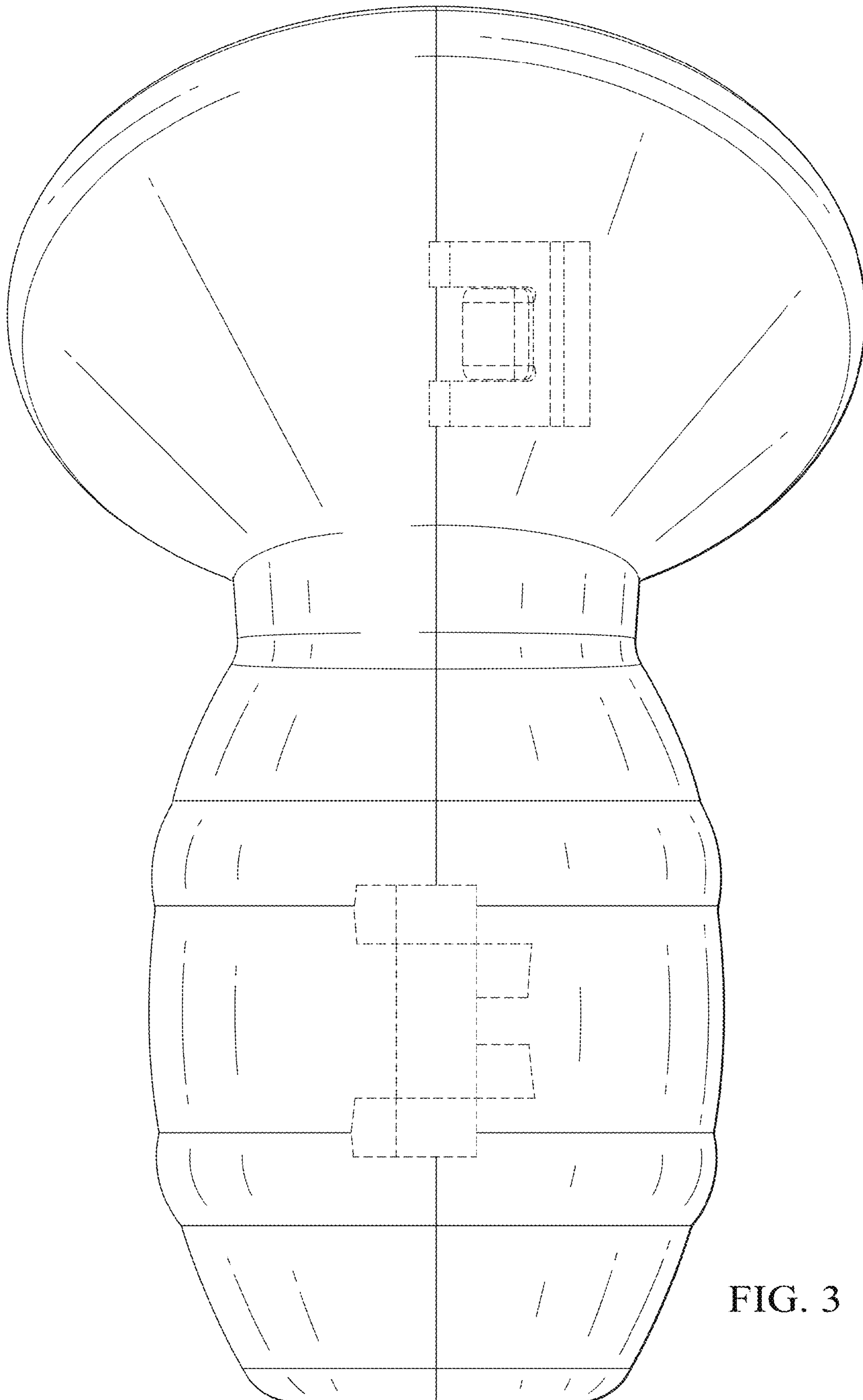


FIG. 3

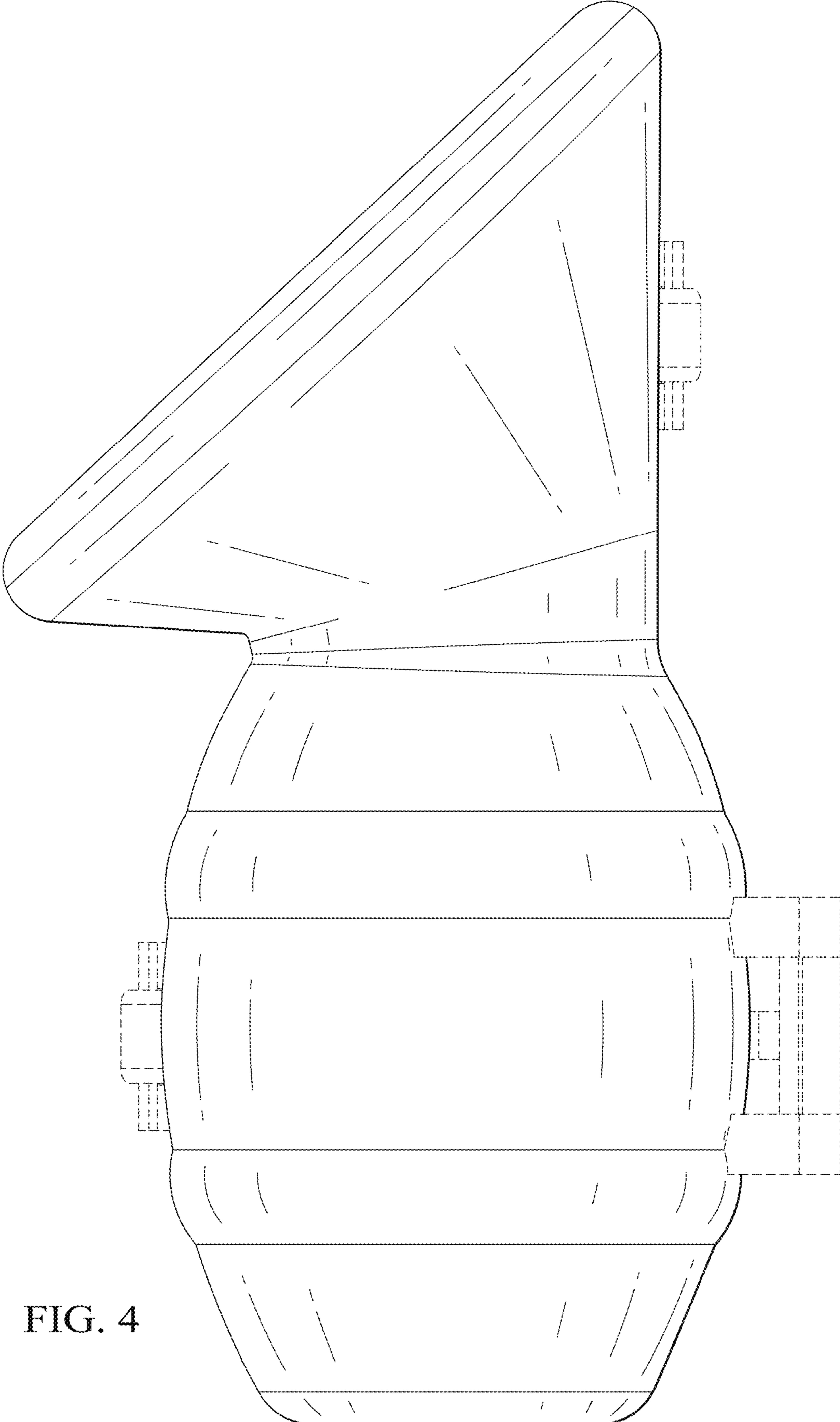


FIG. 4

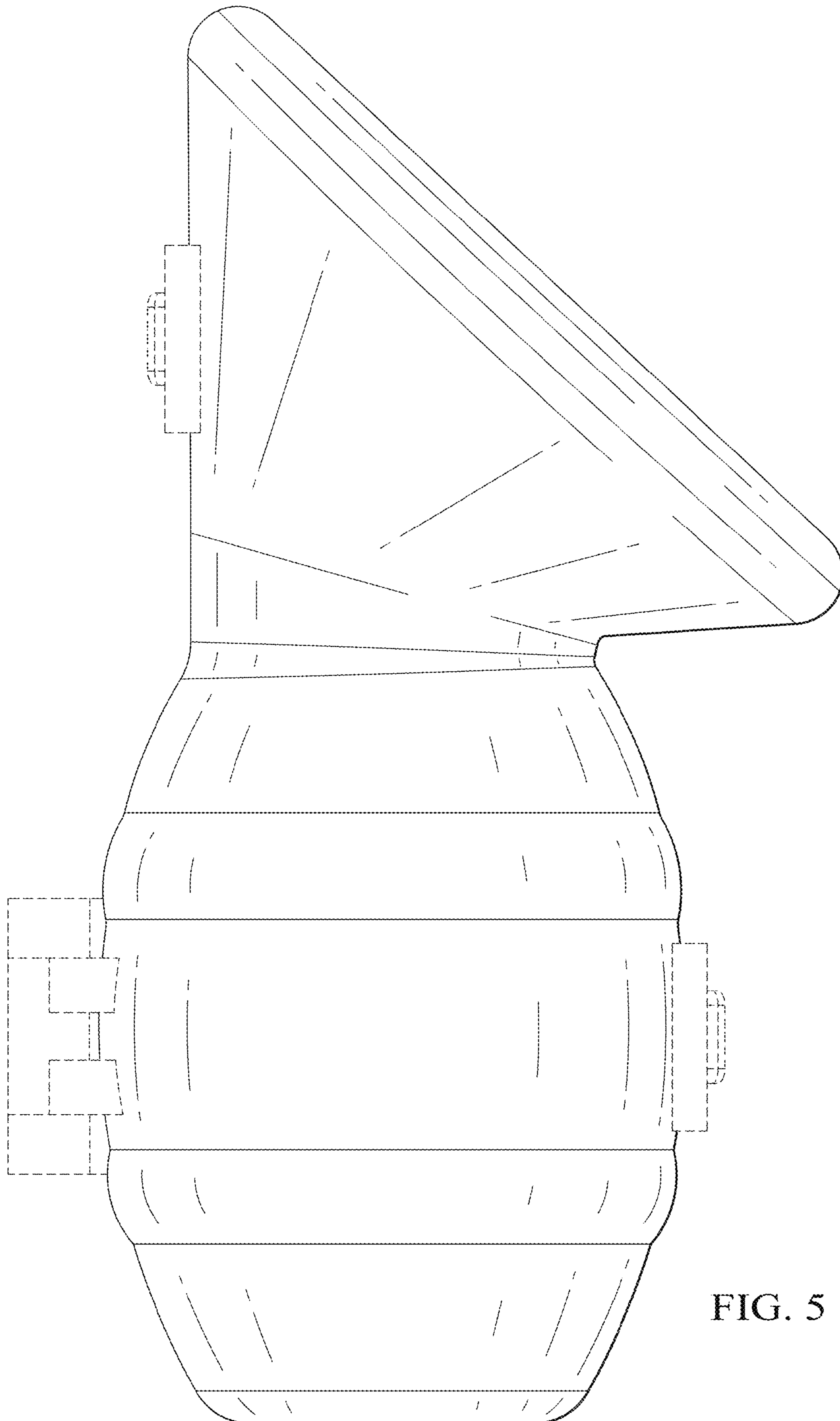


FIG. 5

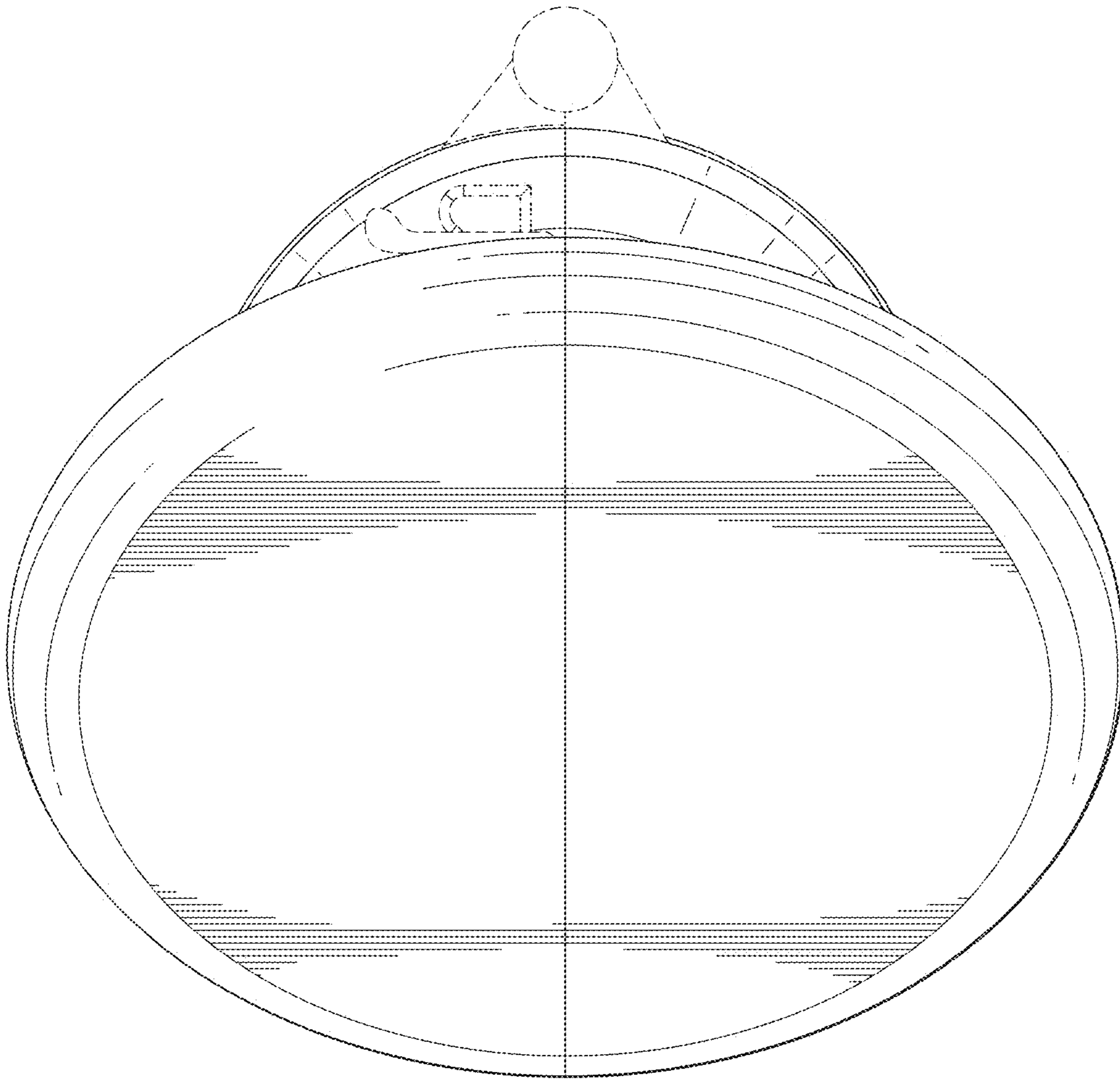


FIG. 6

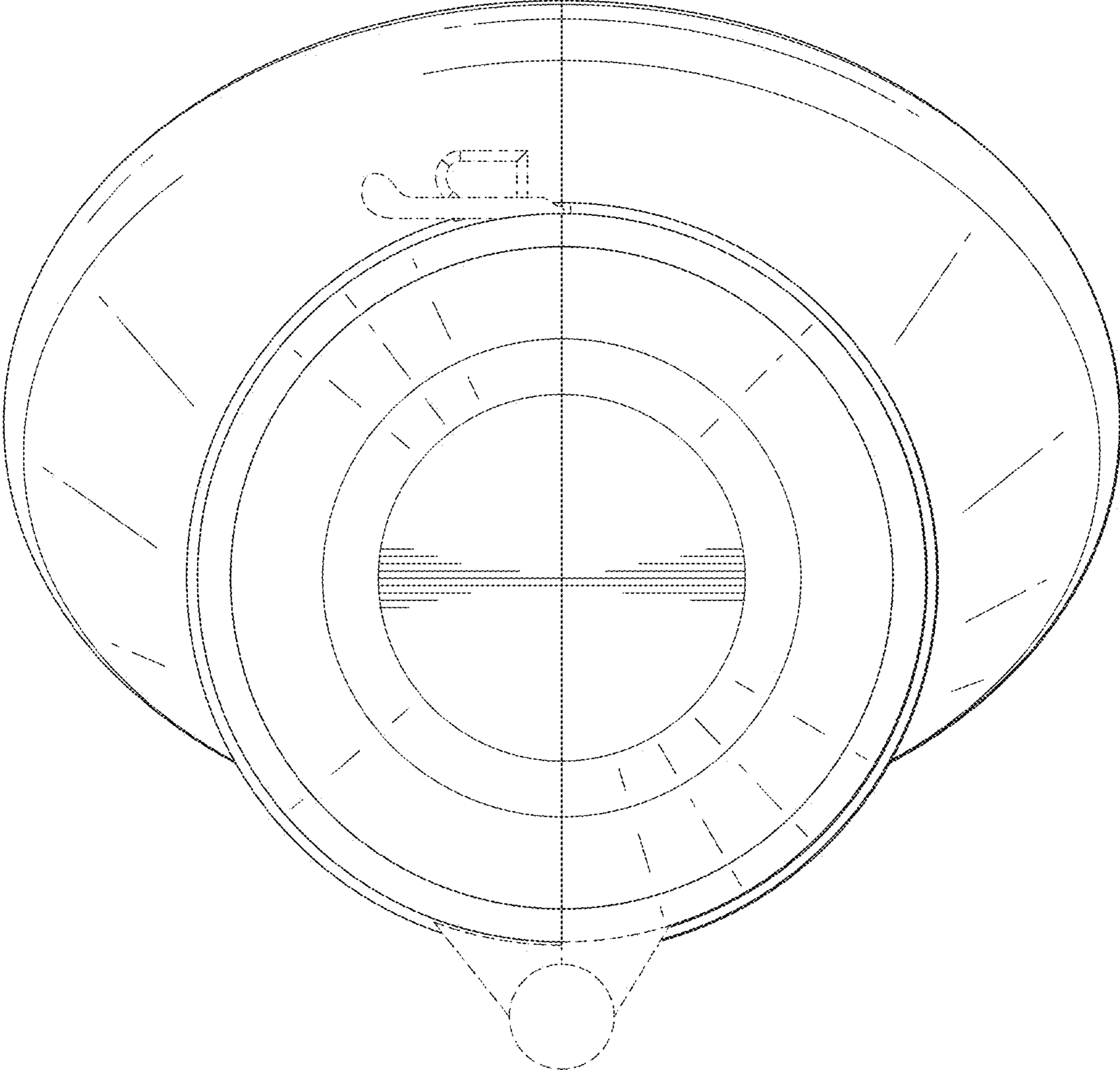


FIG. 7

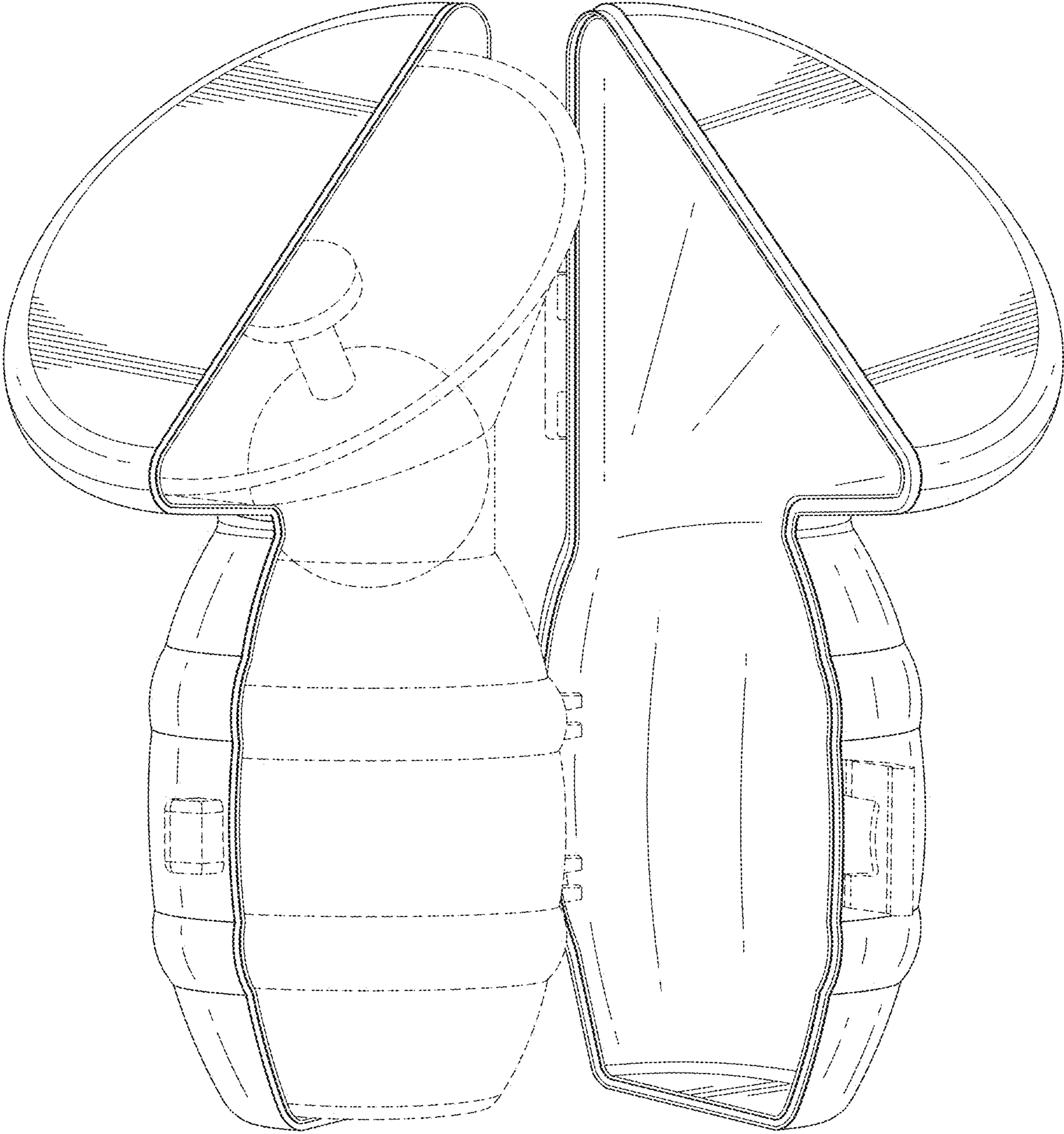


FIG. 8

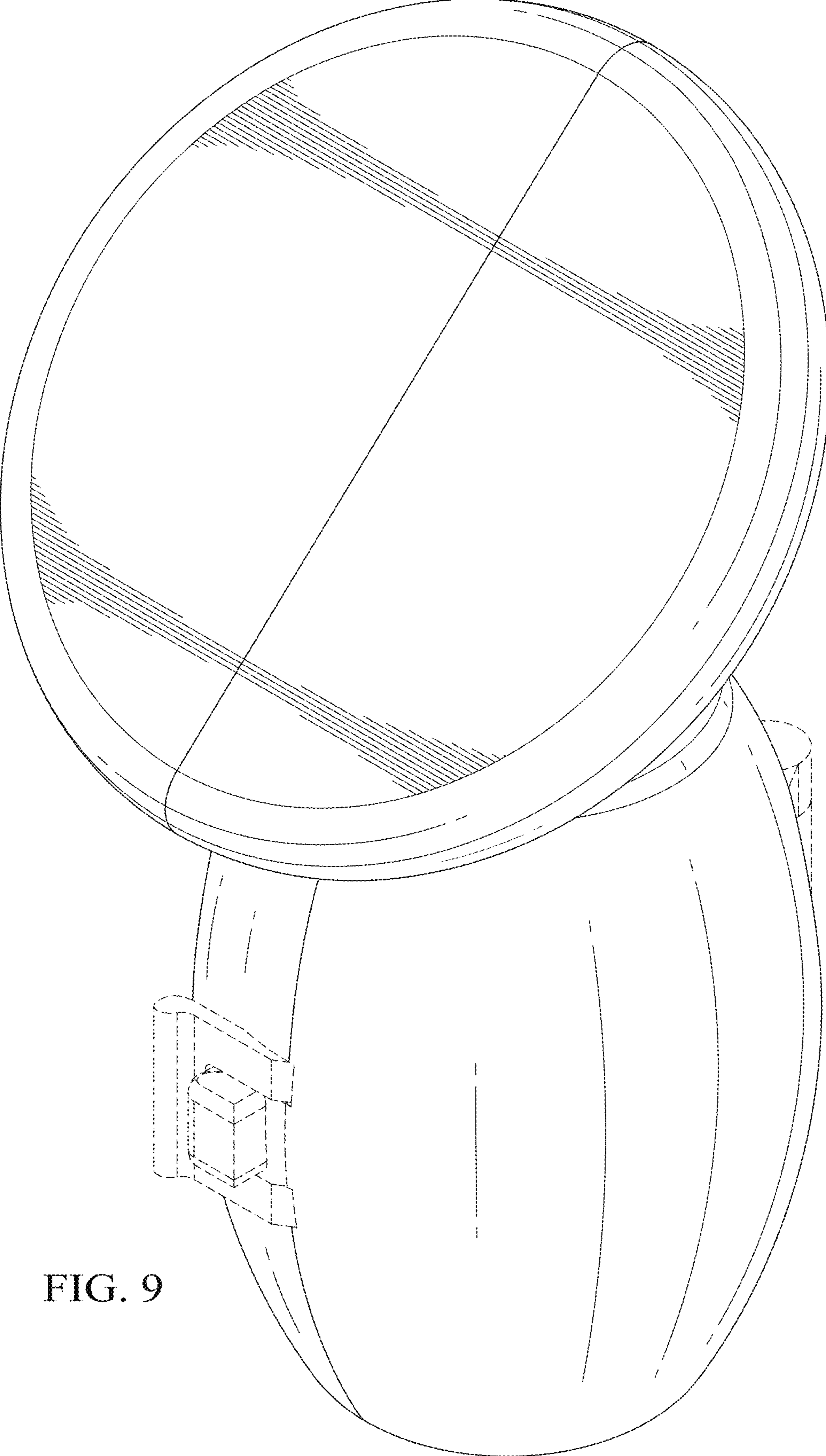


FIG. 9

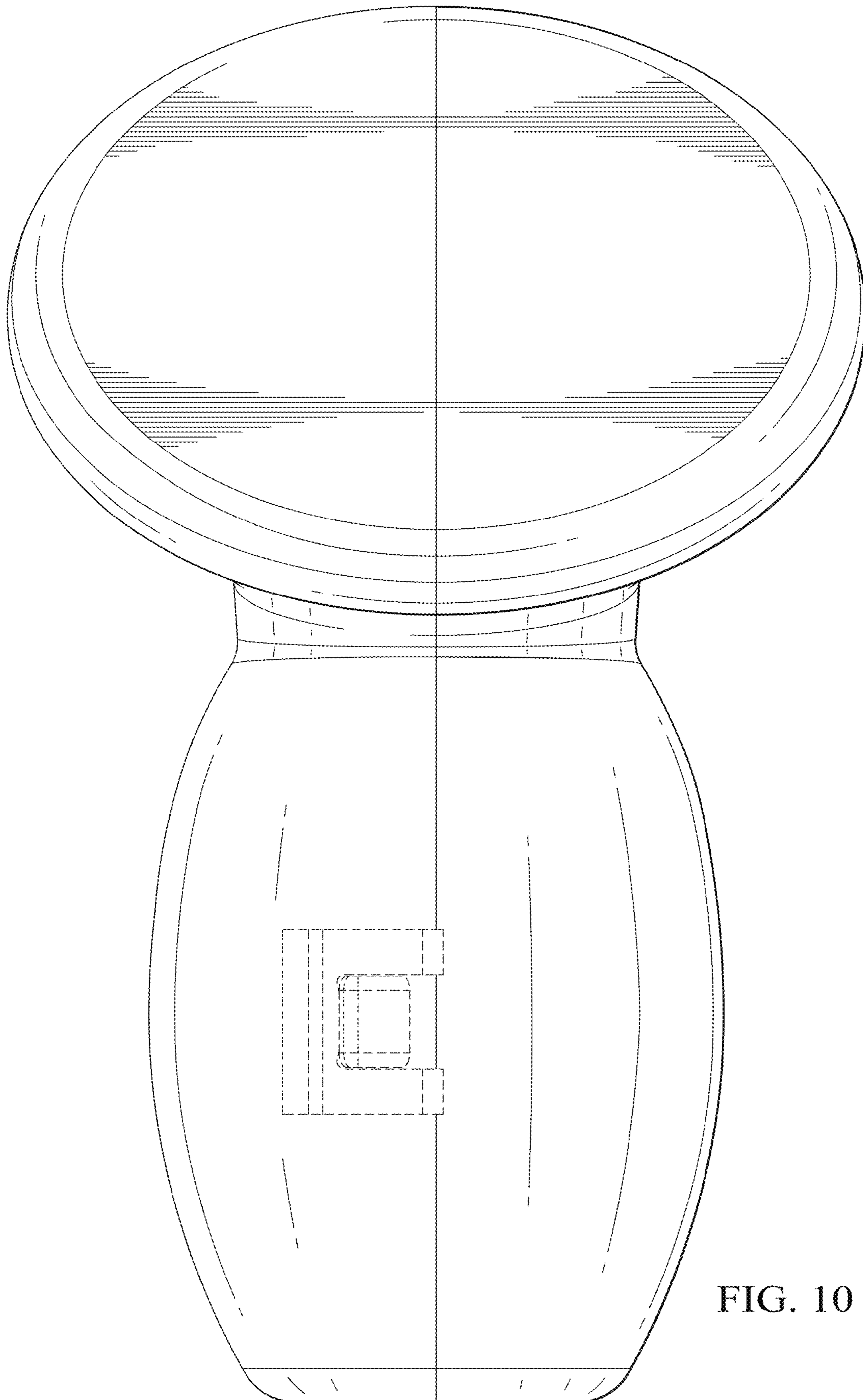


FIG. 10

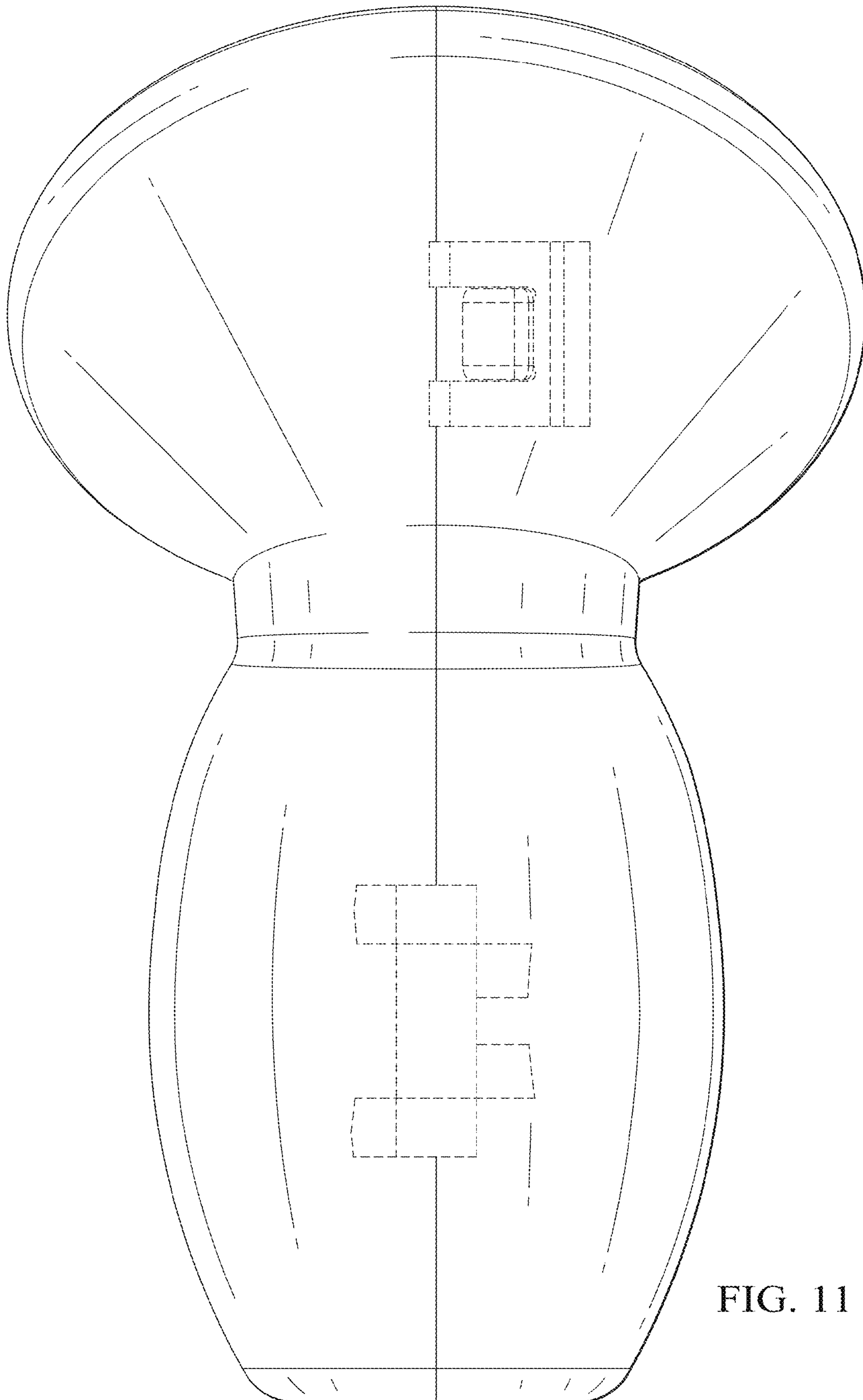


FIG. 11

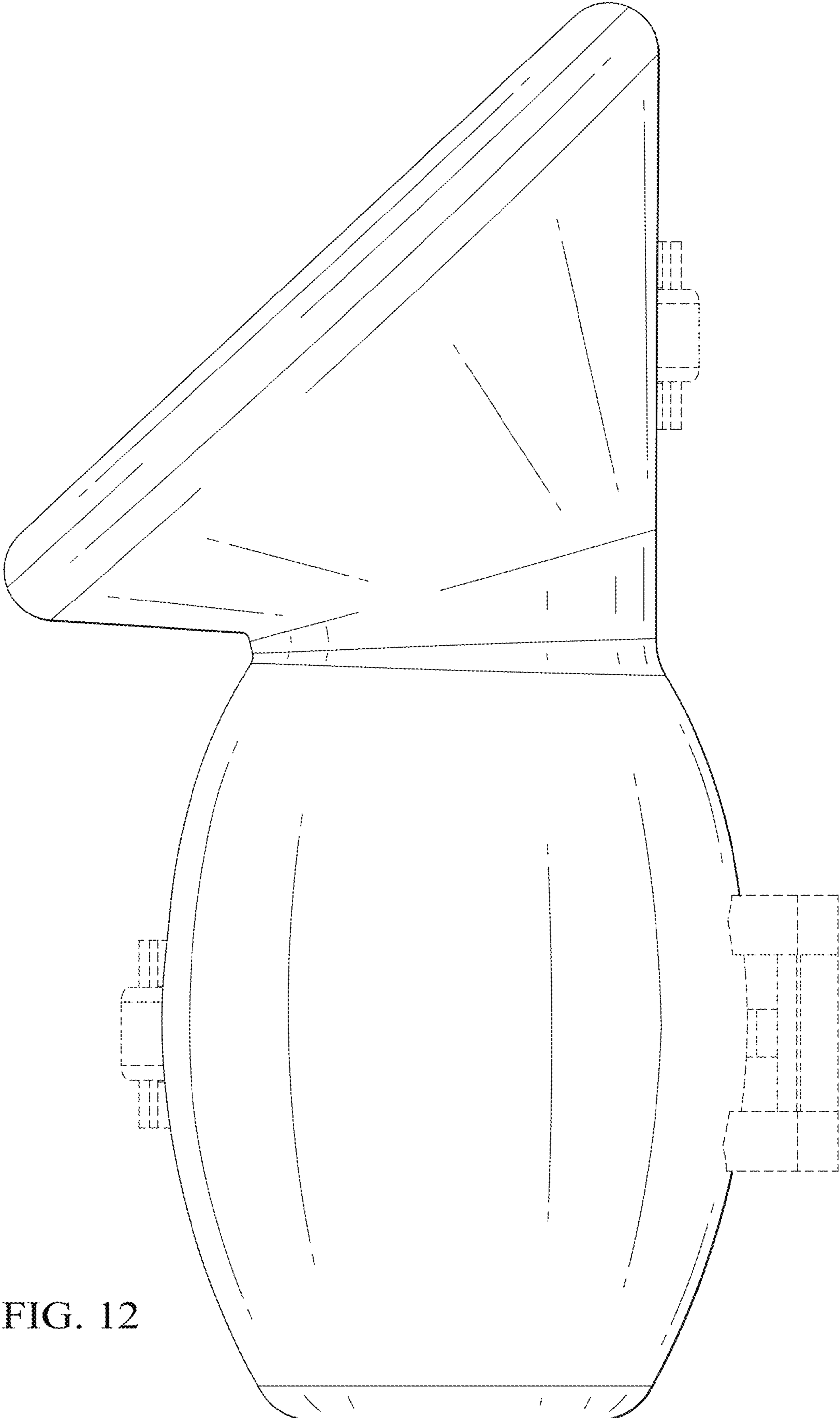


FIG. 12

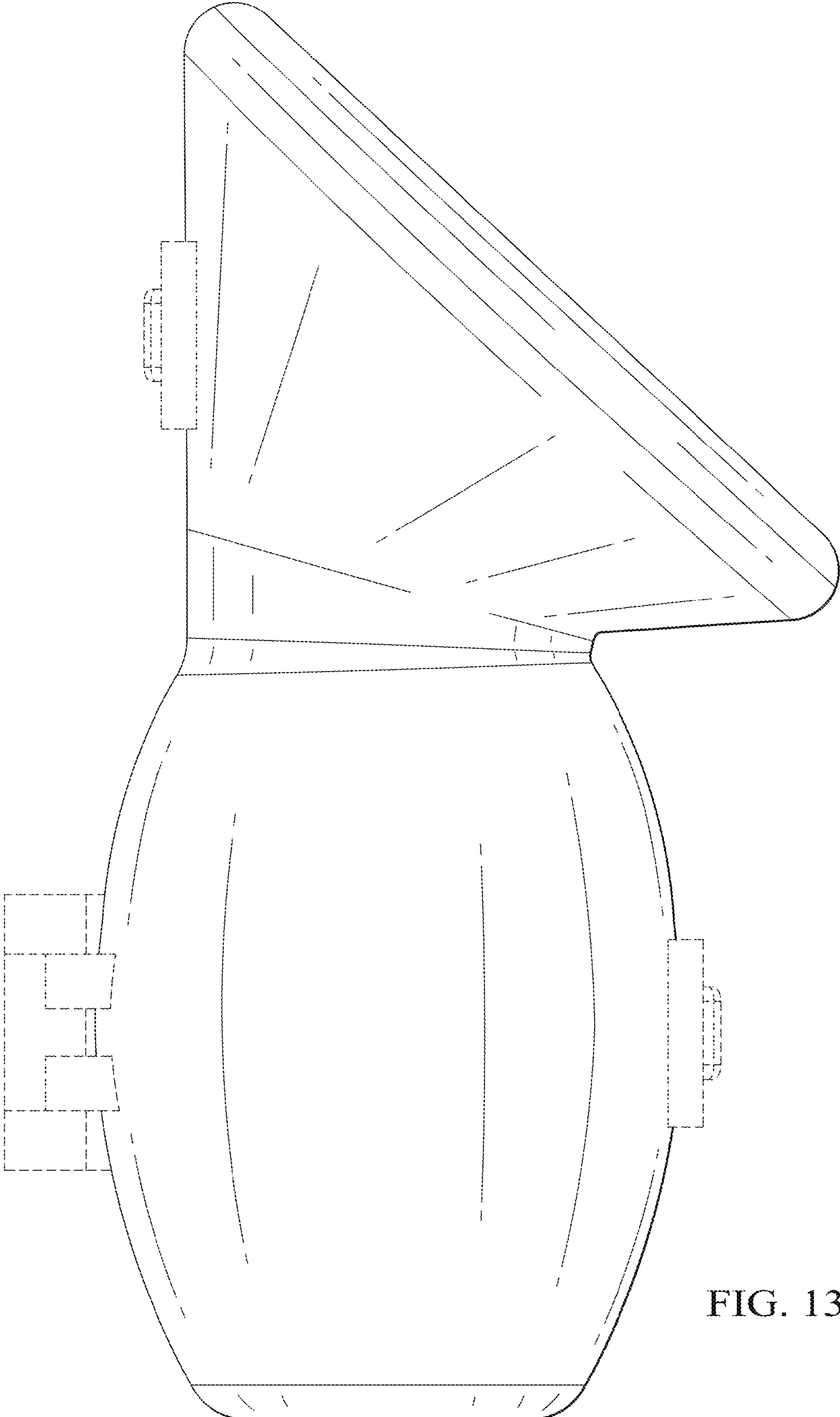


FIG. 13

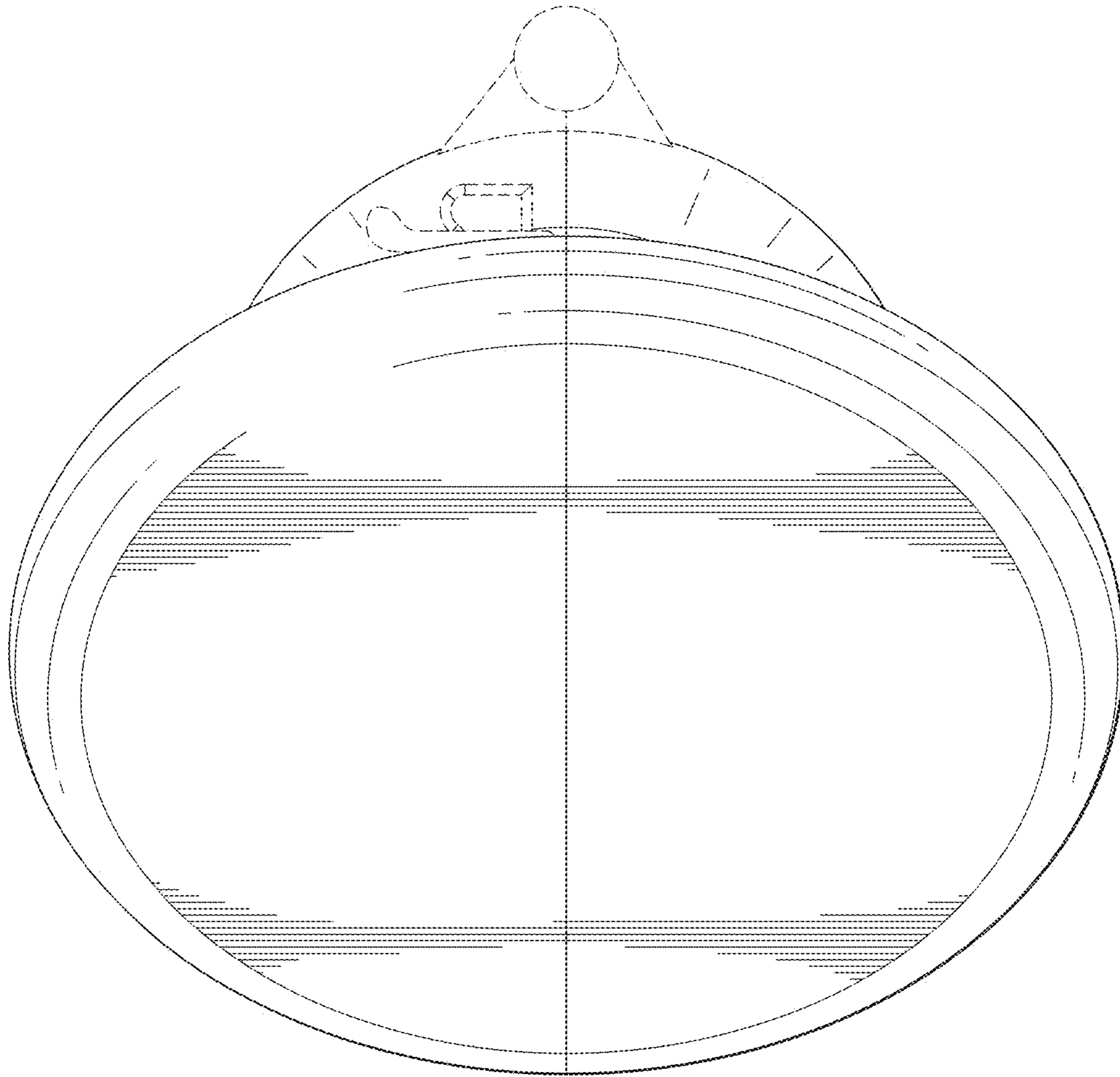


FIG. 14

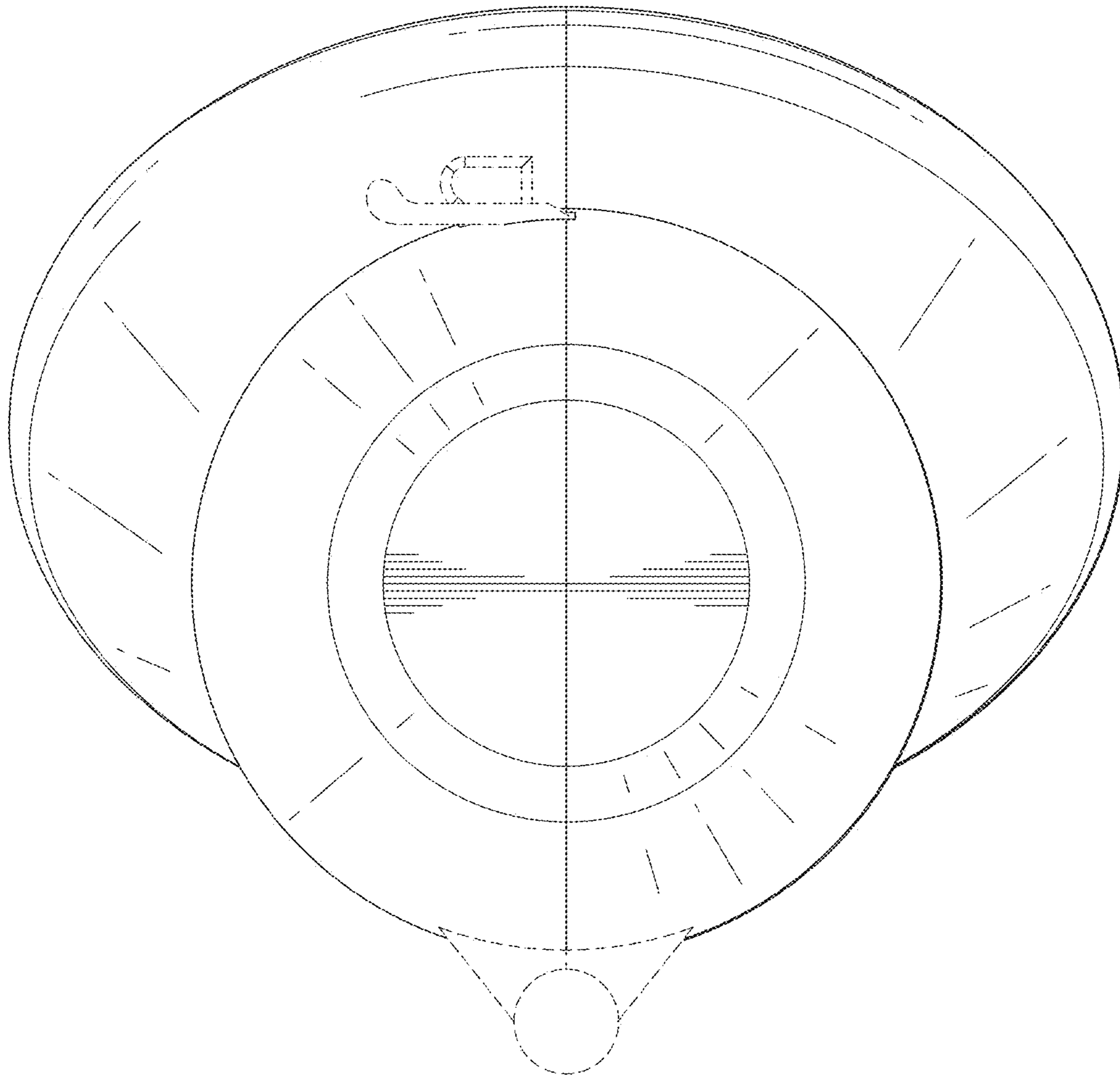


FIG. 15

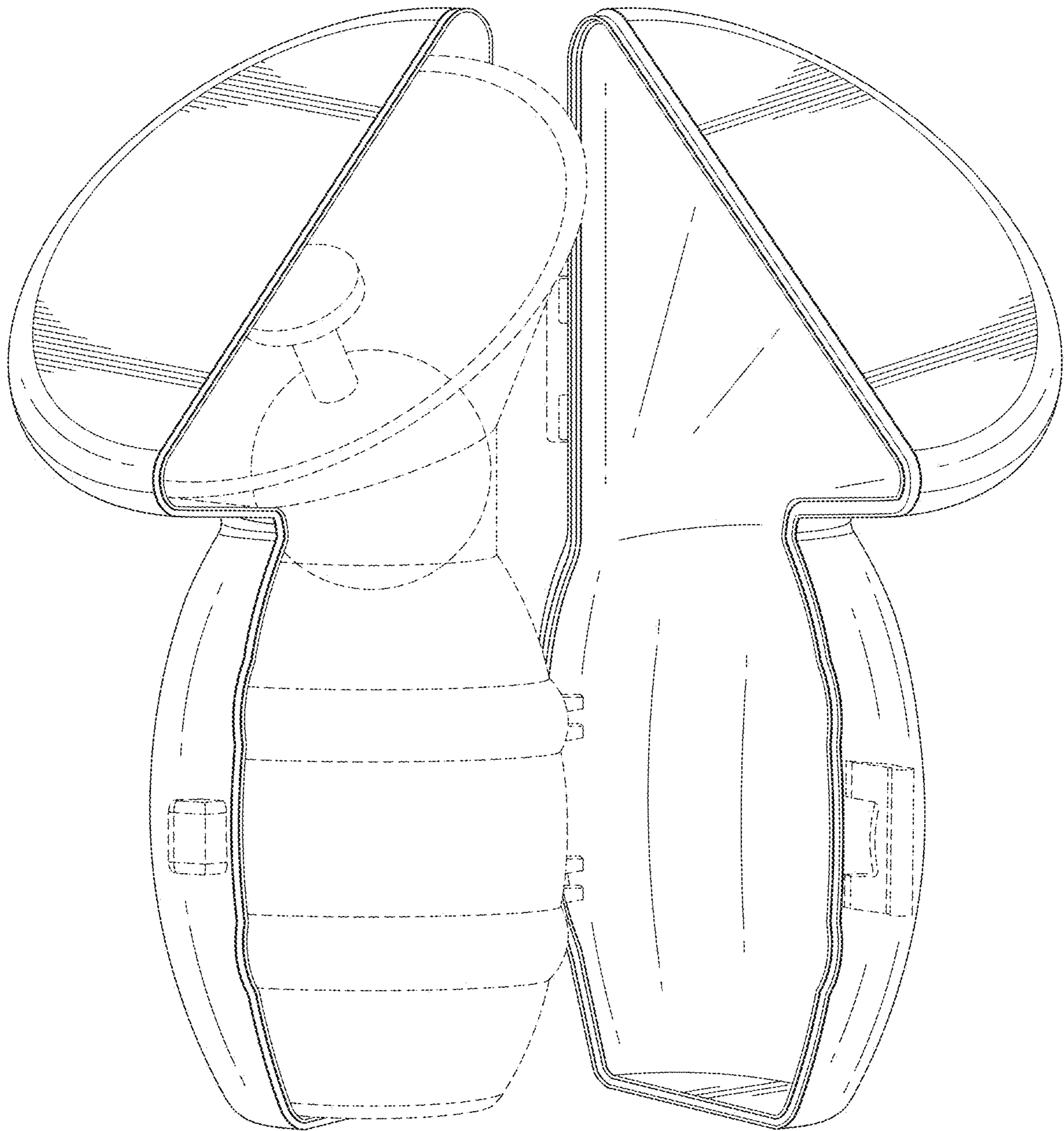


FIG. 16

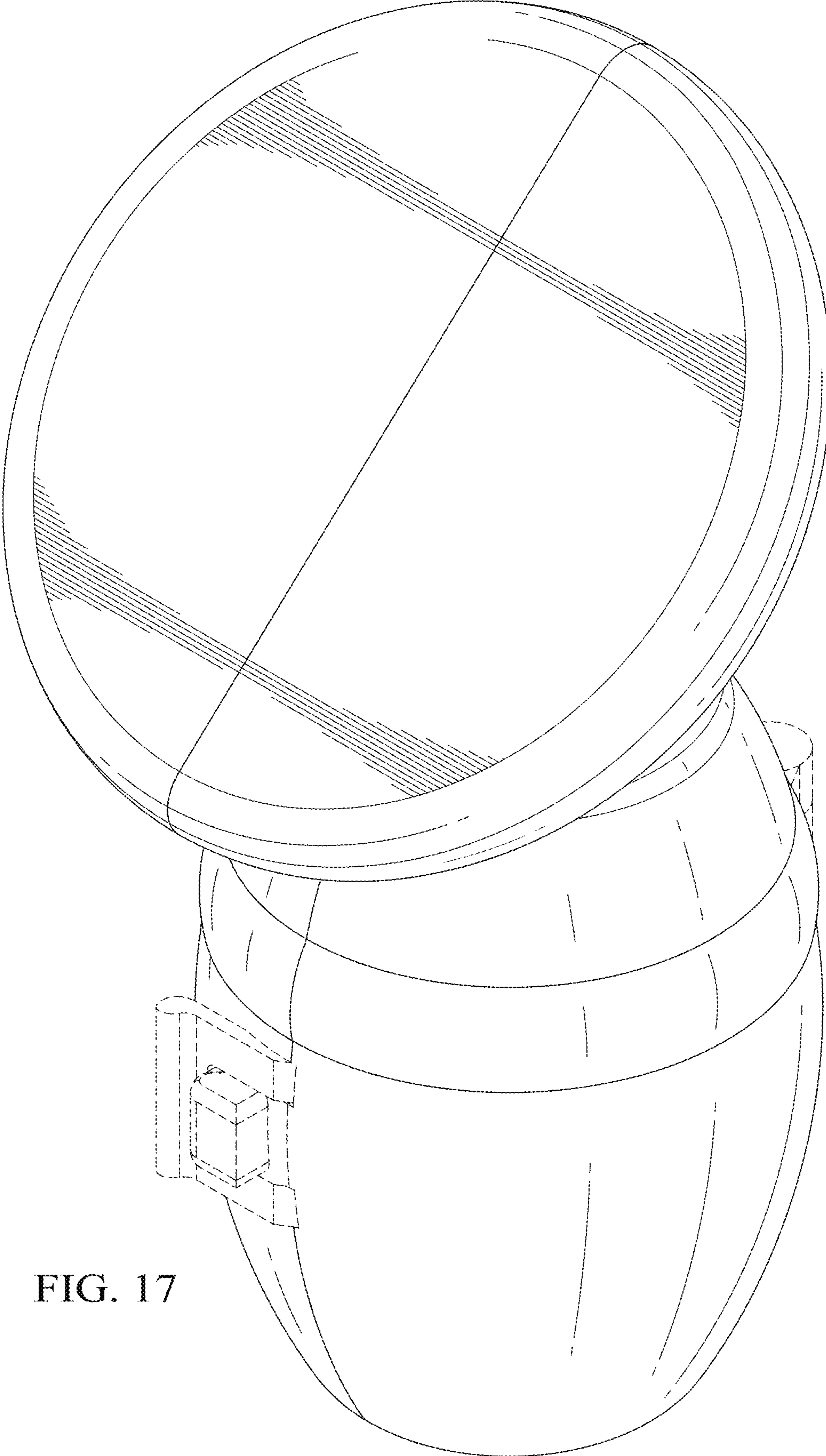


FIG. 17

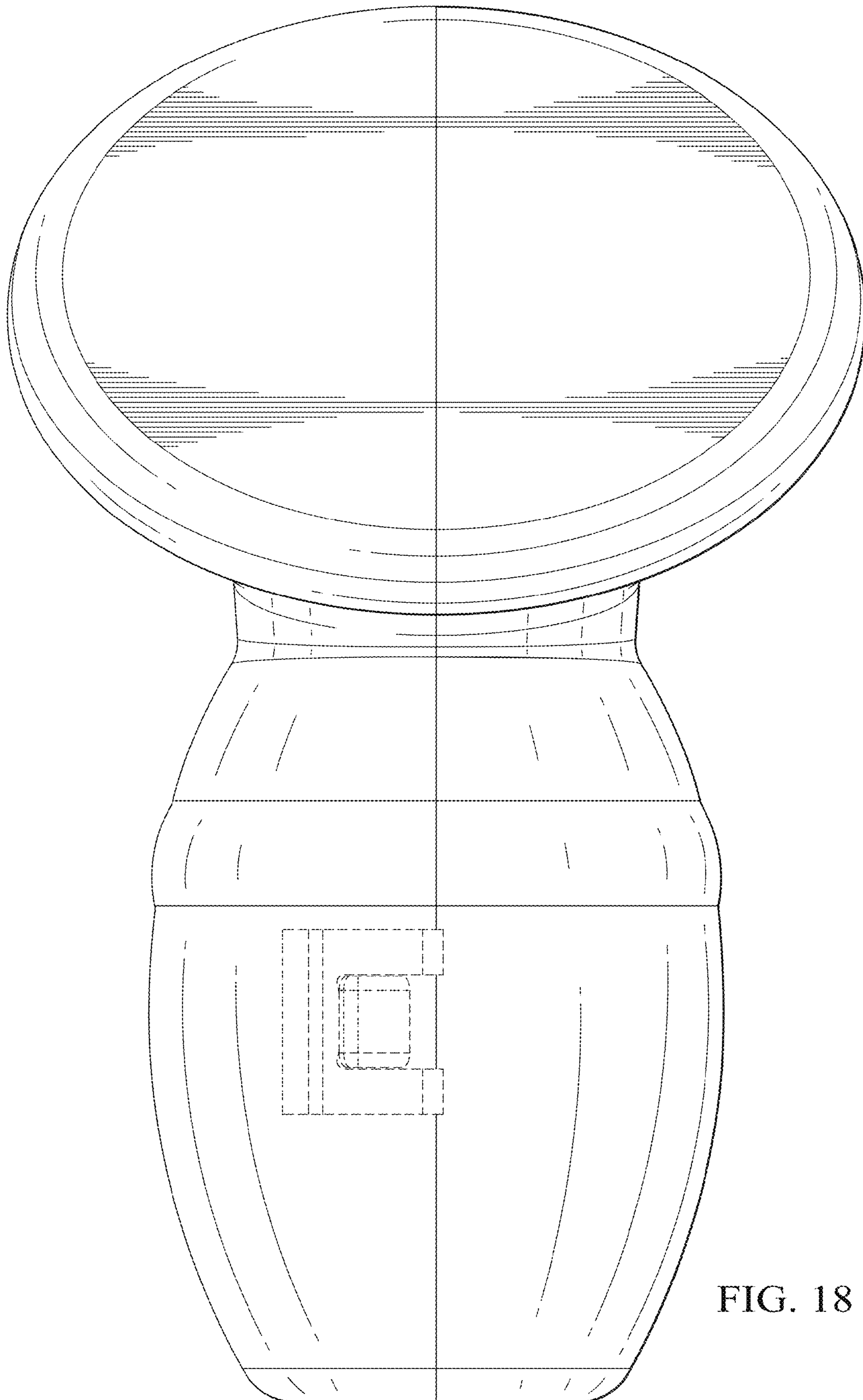


FIG. 18

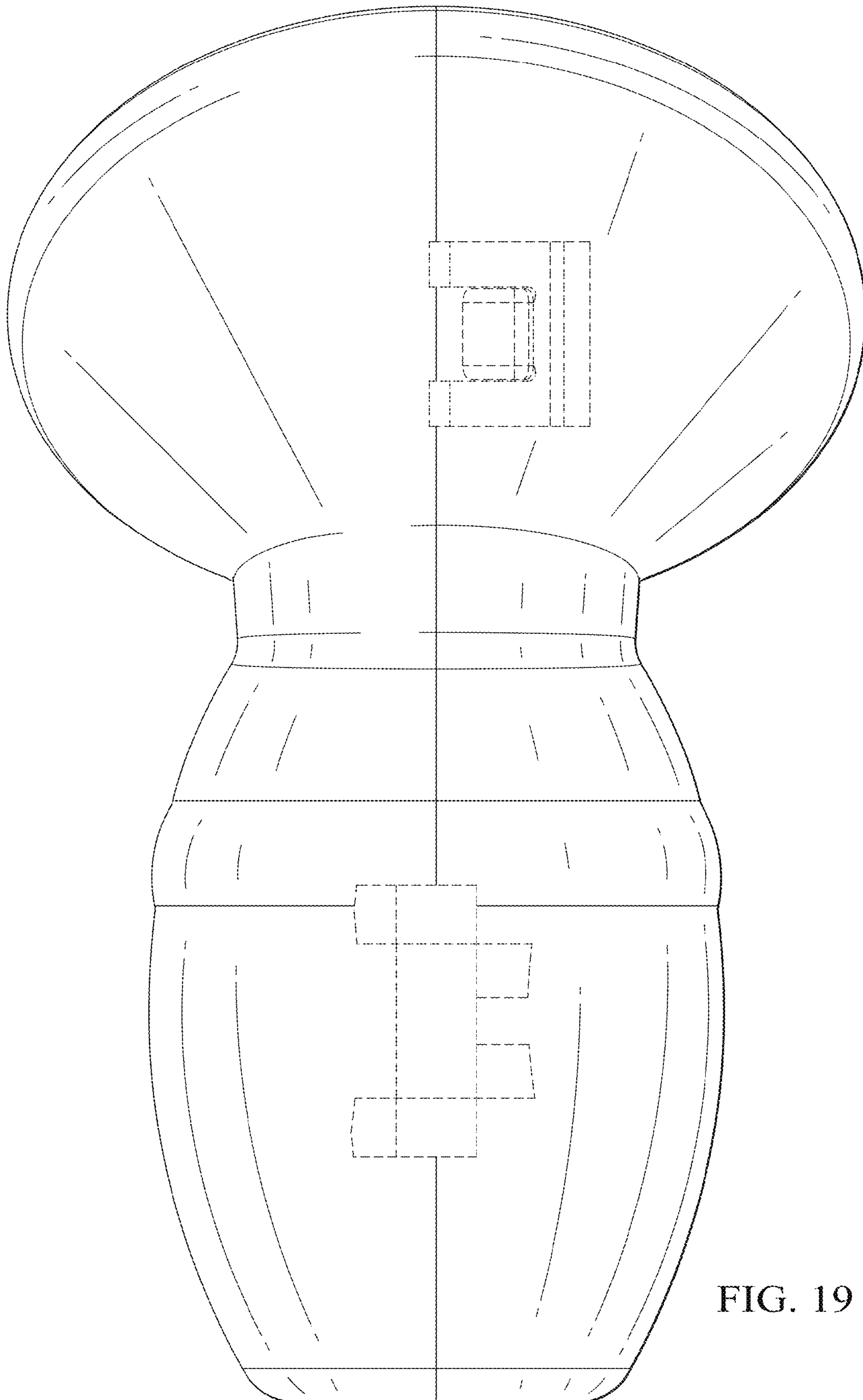


FIG. 19

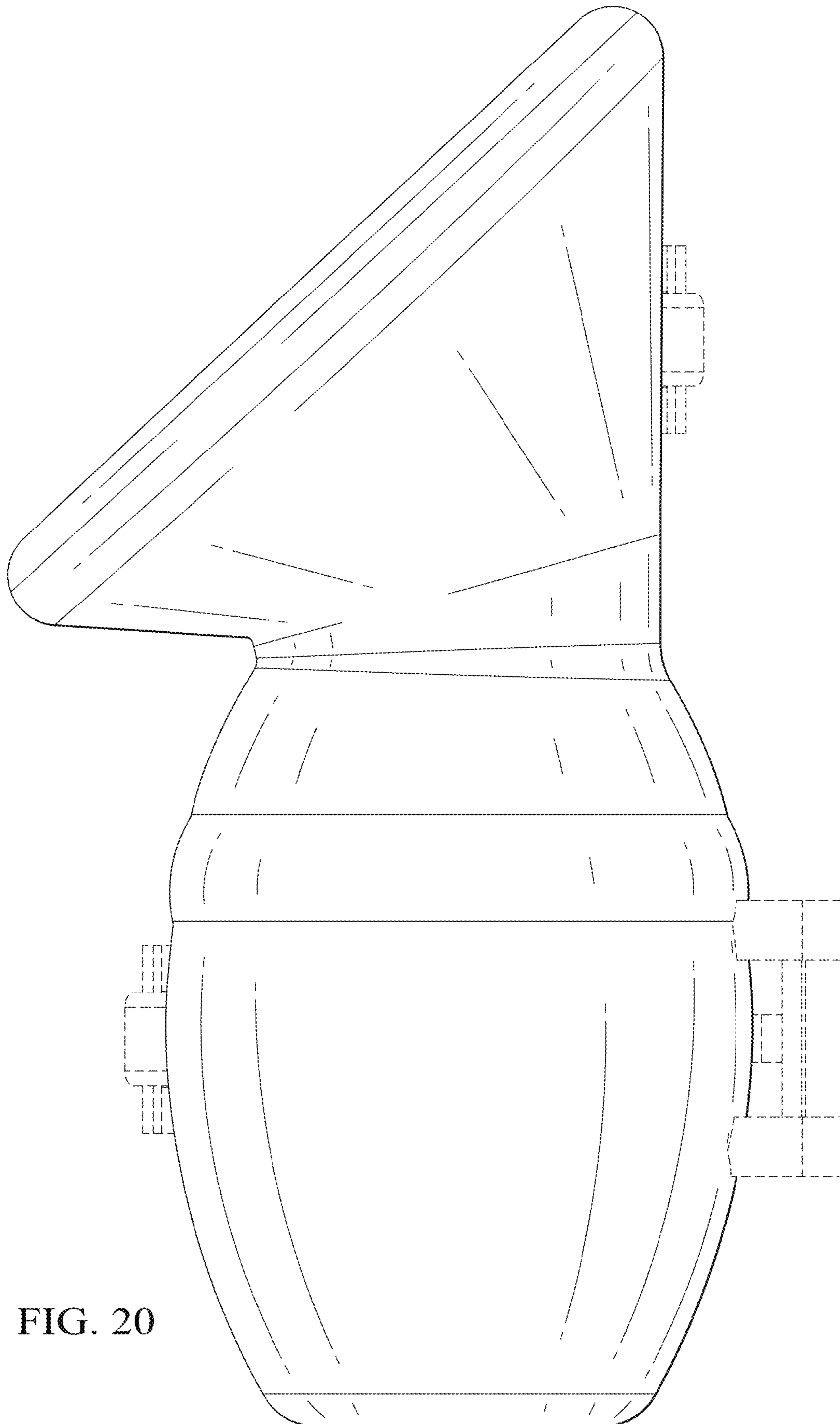


FIG. 20

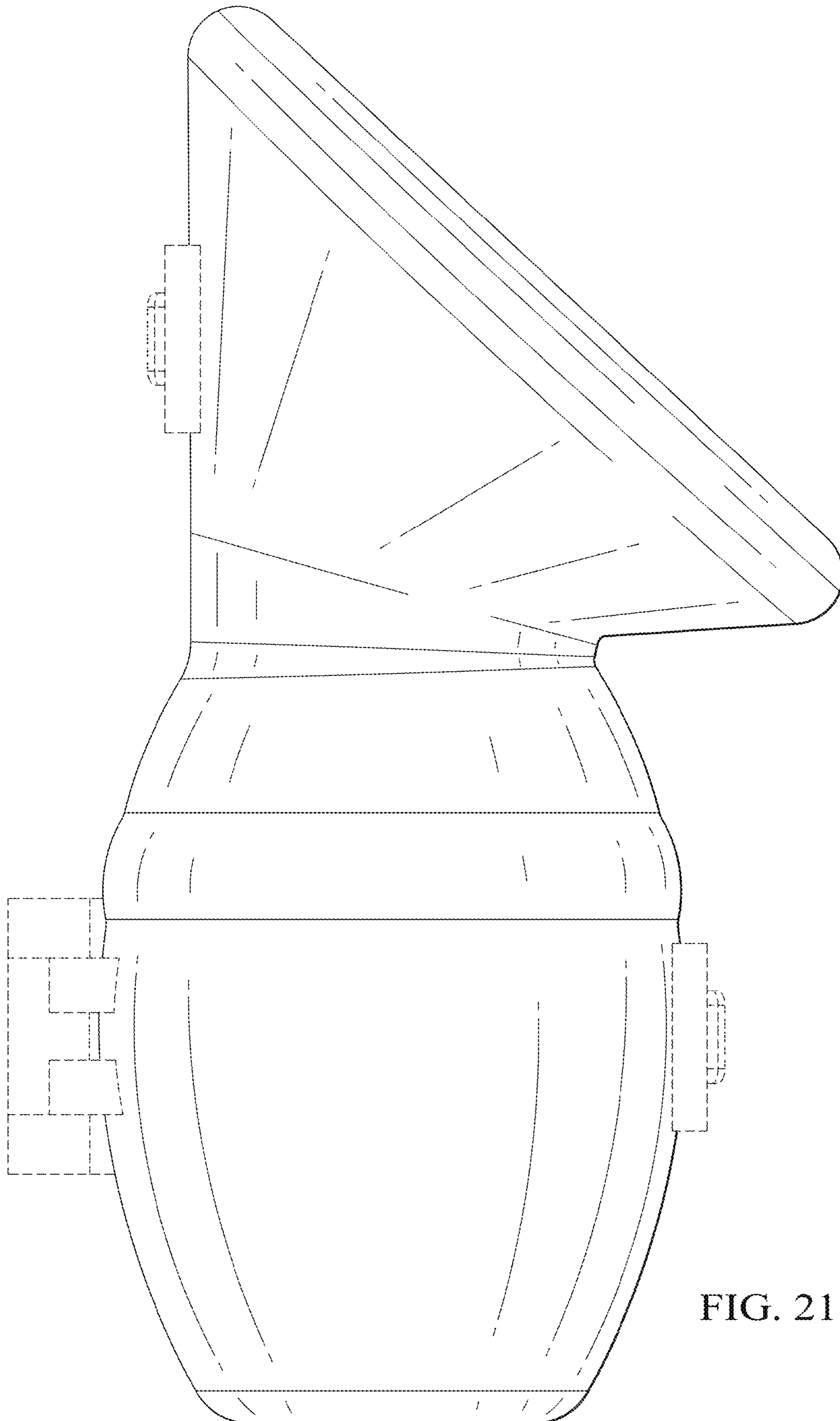


FIG. 21

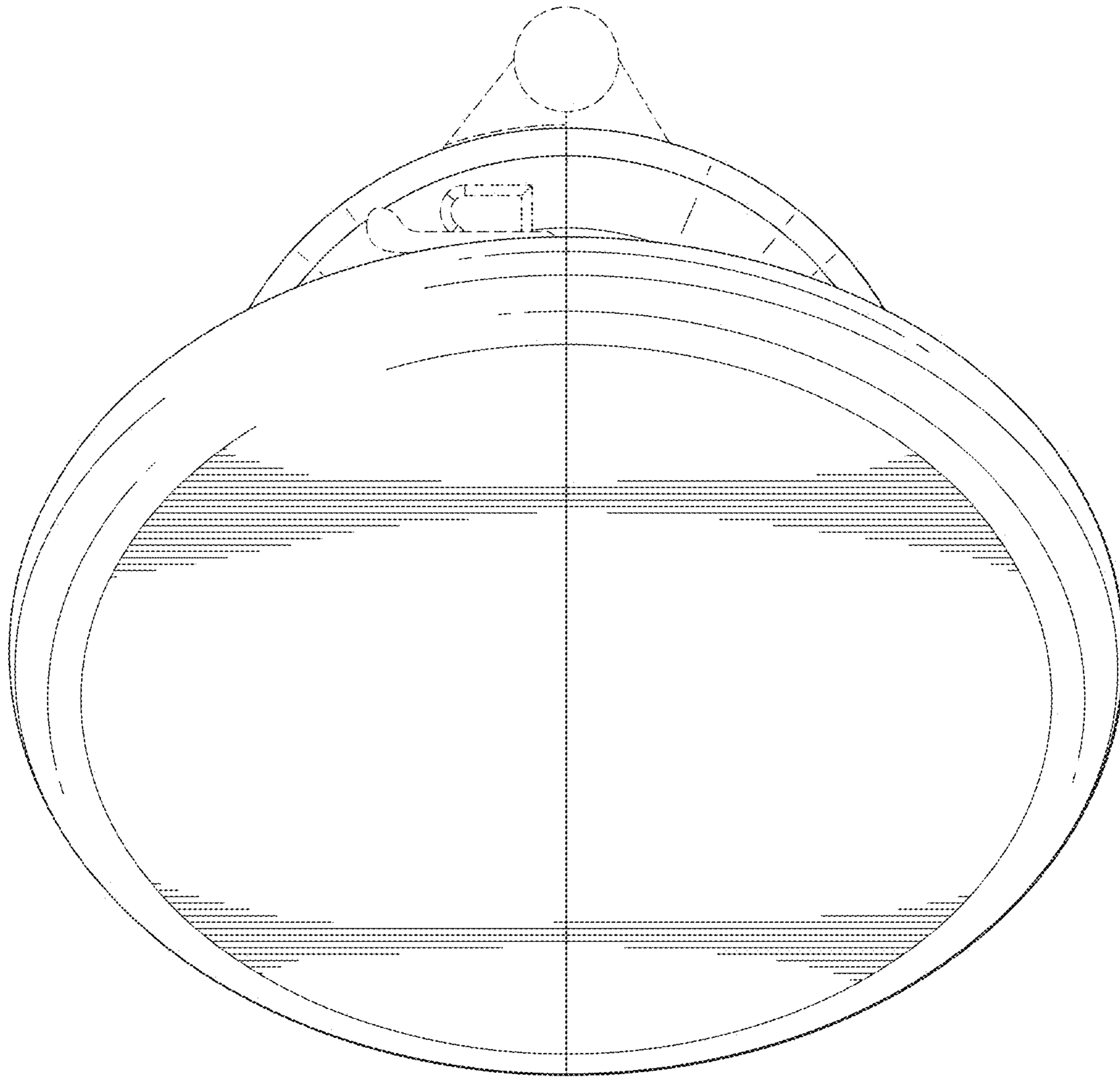


FIG. 22

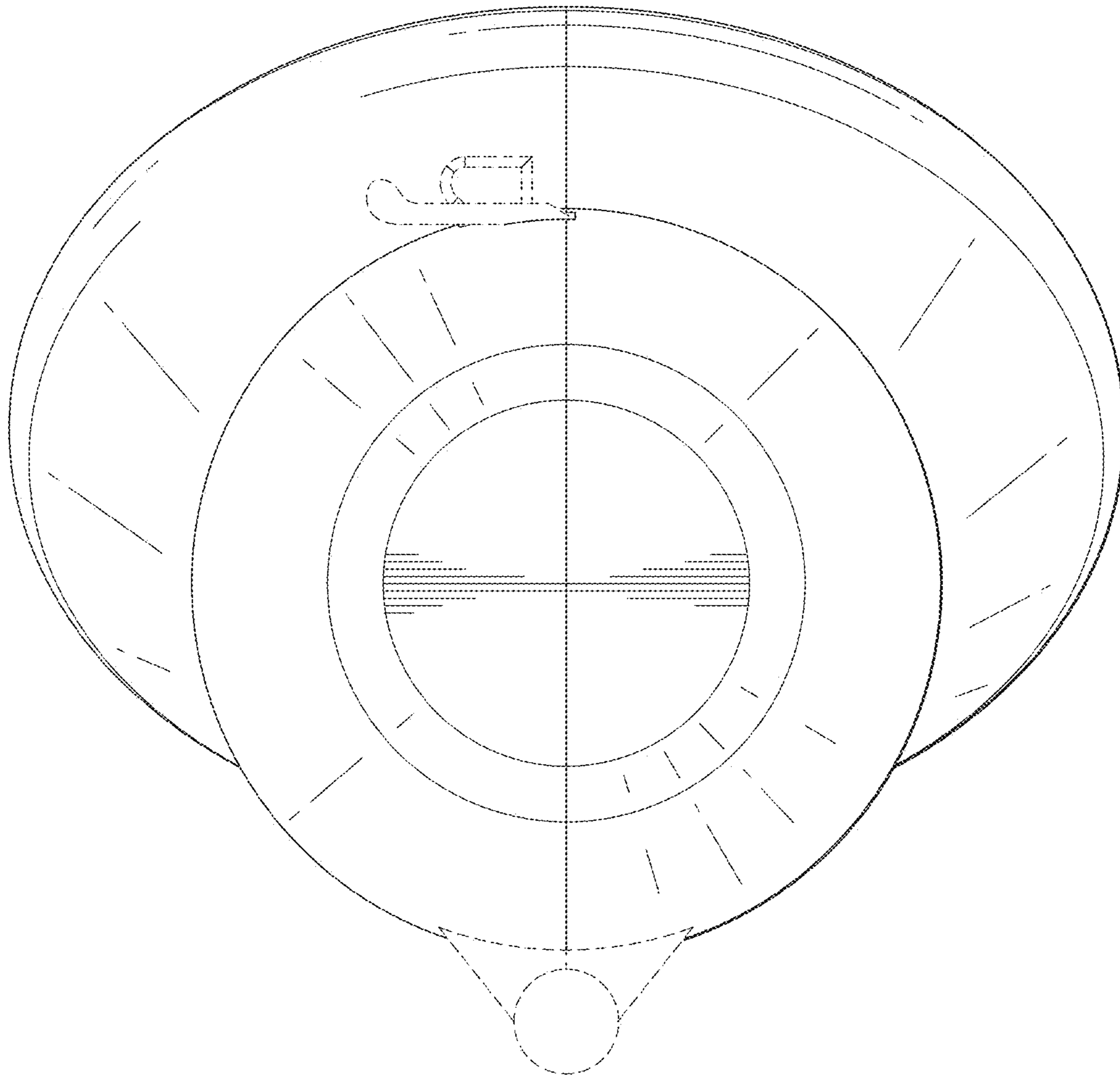


FIG. 23

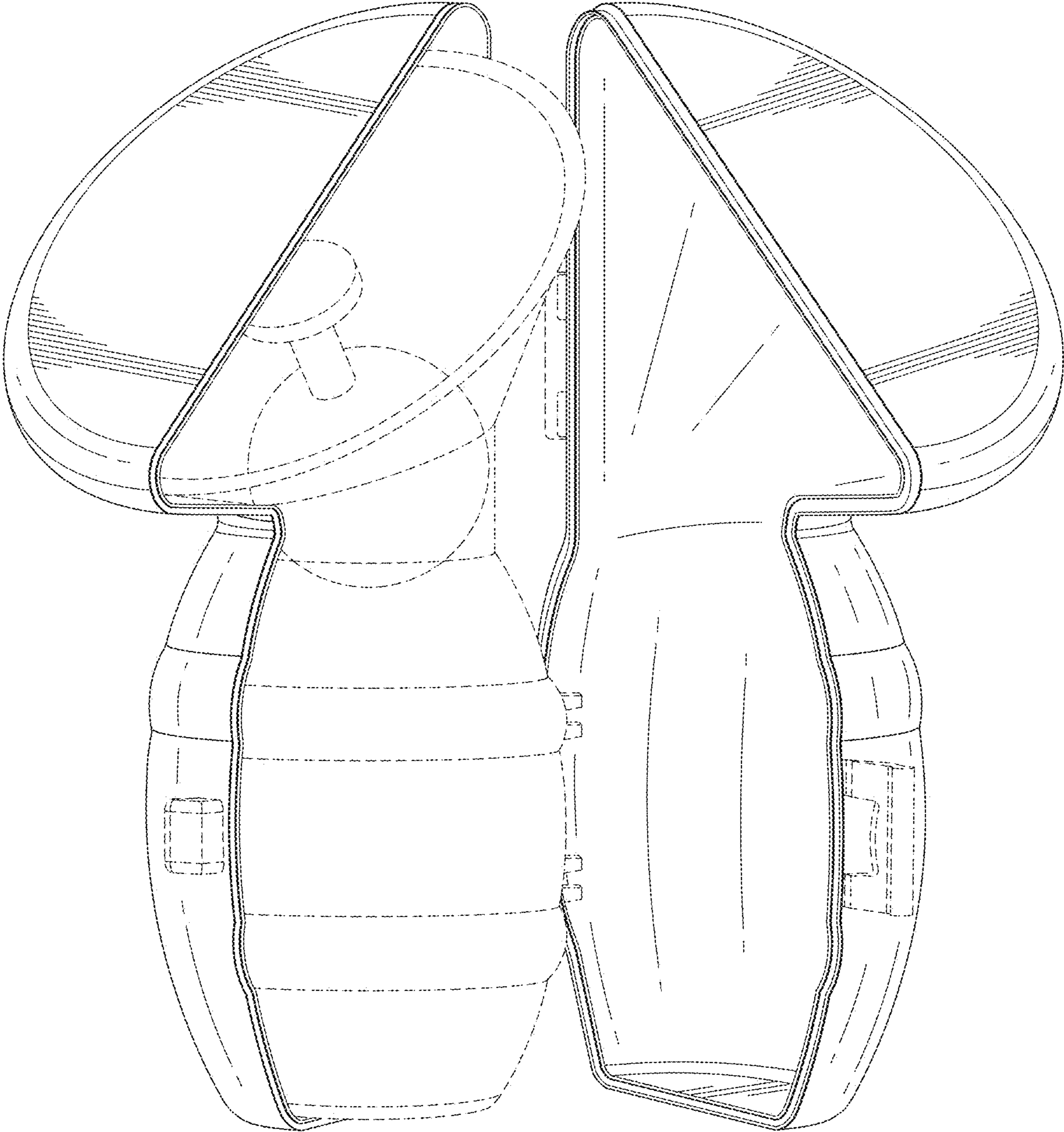


FIG. 24