



US00D909044S

(12) **United States Design Patent** (10) **Patent No.:** **US D909,044 S**
Davidson (45) **Date of Patent:** **** Feb. 2, 2021**

(54) **CHILDCARE APPLIANCE**
(71) Applicant: **BooginHead LLC**, Issaquah, WA (US)
(72) Inventor: **Sari Davidson**, Bellevue, WA (US)
(73) Assignee: **BooginHead, LLC**, Issaquah, WA (US)
(**) Term: **15 Years**

(21) Appl. No.: **29/700,896**
(22) Filed: **Aug. 6, 2019**
(51) **LOC (13) Cl.** **09-02**
(52) **U.S. Cl.**
USPC **D3/202**
(58) **Field of Classification Search**
USPC D8/349, 350-353, 355, 363, 373-377;
D3/202, 229, 215; D7/372
CPC A45F 5/00; A45F 5/021; A45F 2005/006;
A45F 2005/008; A45F 2005/0583; A45F
3/14; A45F 2005/142
See application file for complete search history.

(56) **References Cited**

U.S. PATENT DOCUMENTS

5,622,292	A *	4/1997	Dorney	A45F 3/14 224/148.6
7,032,248	B1	4/2006	Gutilla		
7,086,121	B2	8/2006	Lippincott		
D535,550	S *	1/2007	Silberman	D8/356
D536,882	S *	2/2007	Sheley	D6/323
D580,257	S *	11/2008	Squyres	D8/349
D580,744	S *	11/2008	Shaha	D8/367
7,640,598	B1	1/2010	Mallik		
8,118,268	B2	2/2012	Mabry		
D669,261	S *	10/2012	Tepper	A45F 5/00 D3/229
8,460,053	B2	6/2013	Fair et al.		
9,162,813	B2	10/2015	Noble		
D764,787	S *	8/2016	Montminy	D3/202
D776,488	S *	1/2017	Brashears	D7/620
D858,197	S *	9/2019	Smiedt	D7/510

D876,816	S *	3/2020	Lane	D3/202
D880,852	S *	4/2020	Gigliotti	D3/229
2007/0061939	A1	3/2007	Rose		
2008/0134432	A1	6/2008	Brandon		
2011/0258748	A1	10/2011	Rosenbaum		
2015/0150312	A1	6/2015	LaHann		

OTHER PUBLICATIONS

<https://www.amazon.com/Lil-Sidekick-Teethers-Pacifiers-Strollers/dp/B0004E5YMM>, accessed Aug. 7, 2019.

* cited by examiner

Primary Examiner — Mark A Goodwin
Assistant Examiner — Benjamin M Weeks

(74) *Attorney, Agent, or Firm* — Æon Law; Adam L. K. Philipp; Jonathan E. Olson

(57) **CLAIM**

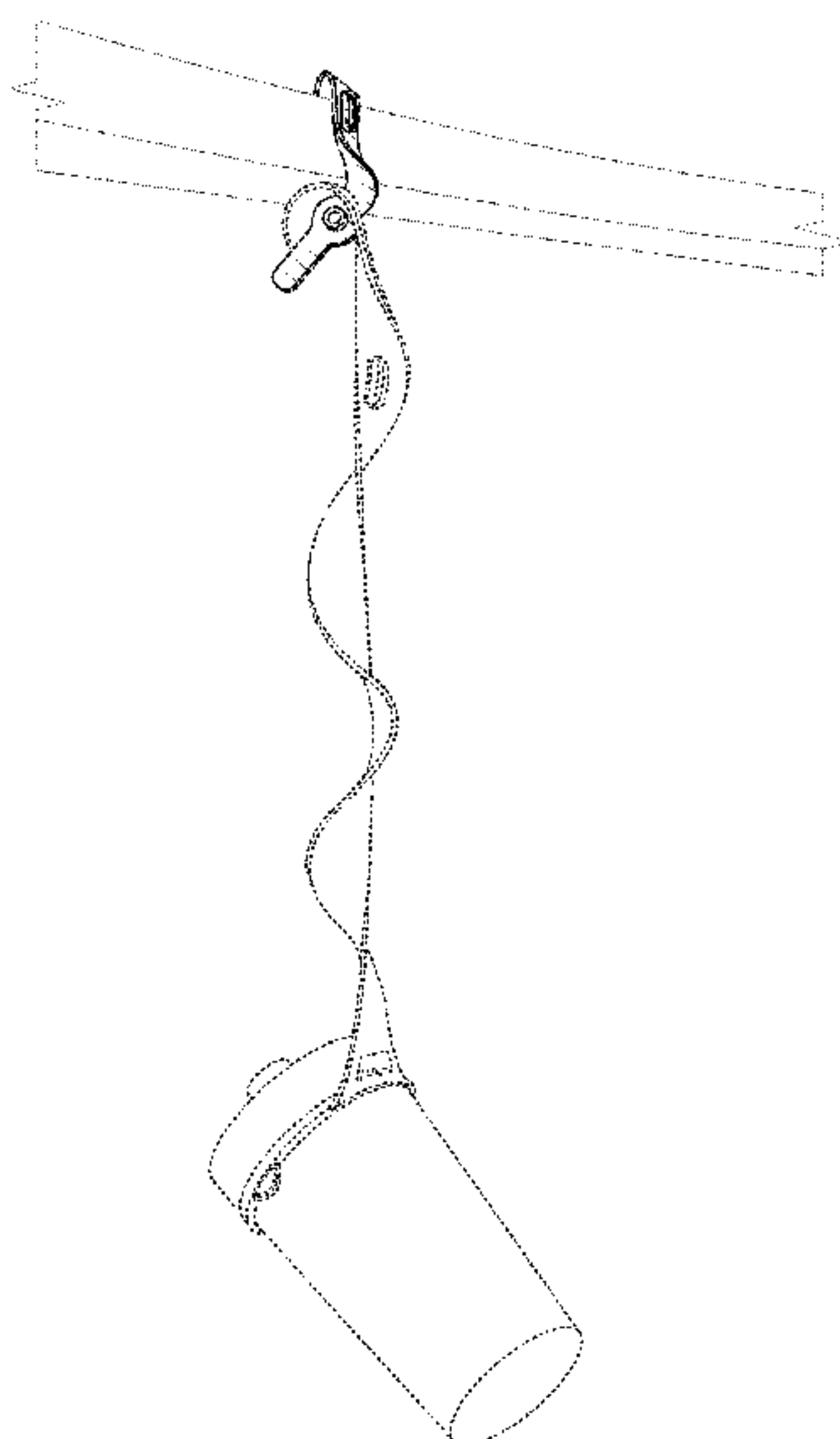
The ornamental design for a childcare appliance, as shown and described.

DESCRIPTION

FIG. 1 is a front elevation view of a childcare appliance, in an extended condition;
FIG. 2 is a front perspective view thereof, not extended;
FIG. 3 is a front elevation view thereof;
FIG. 4 is a front elevation view thereof, in a package;
FIG. 5 is a rear elevation view thereof;
FIG. 6 is a left-side elevation view thereof;
FIG. 7 is a right-side elevation view thereof;
FIG. 8 is a top view thereof; and,
FIG. 9 is a bottom view thereof.

The broken lines showing of a cup, surface mount, surface mounting in FIG. 1 and package shown in FIG. 4 are for environmental purposes only and form no part of the claimed design. The broken line surface of the childcare appliance shown in FIG. 1-9 form no part of the claimed design.

1 Claim, 7 Drawing Sheets



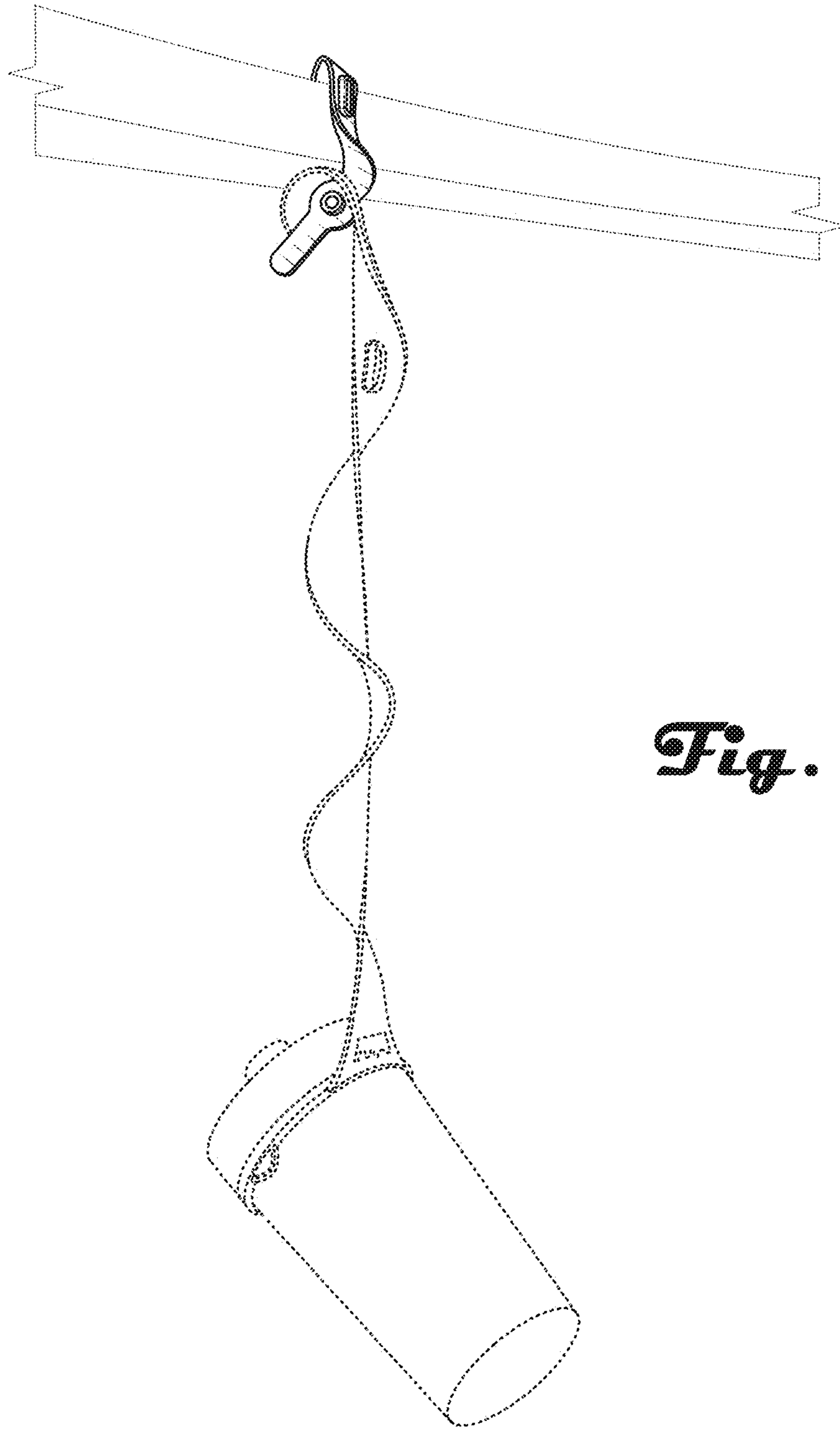


Fig. 1

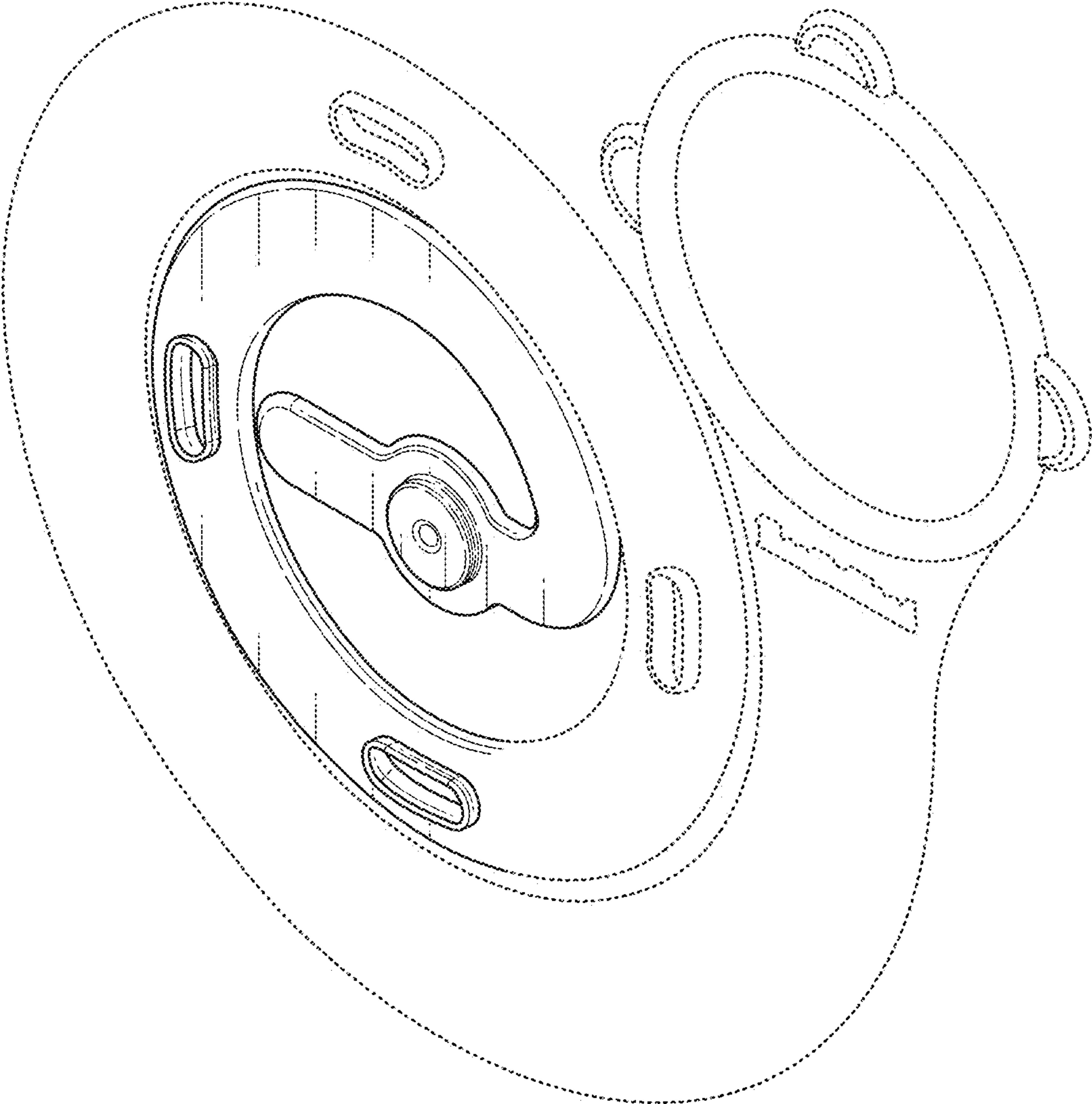


Fig. 2

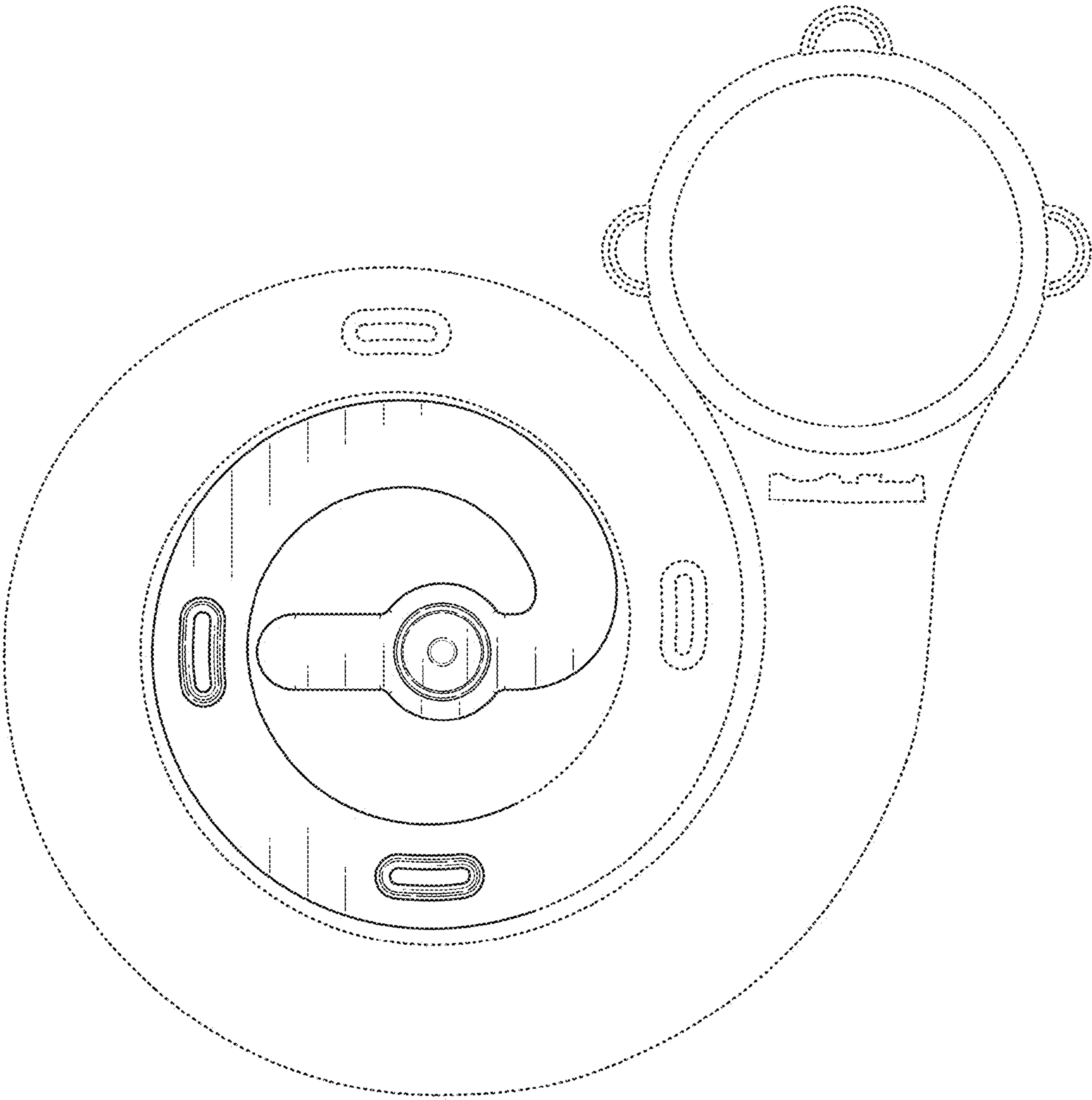


Fig. 3

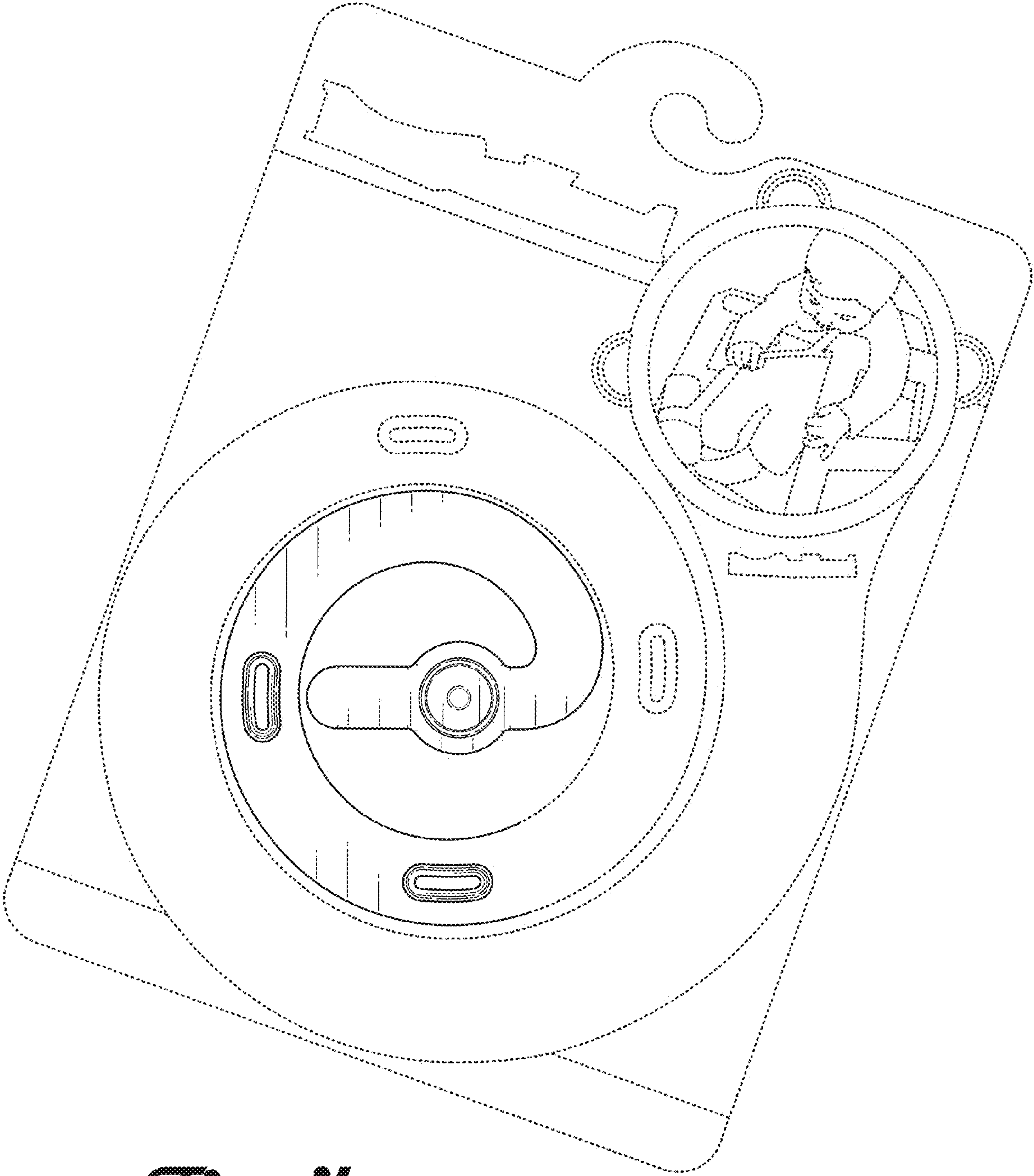


Fig. 4

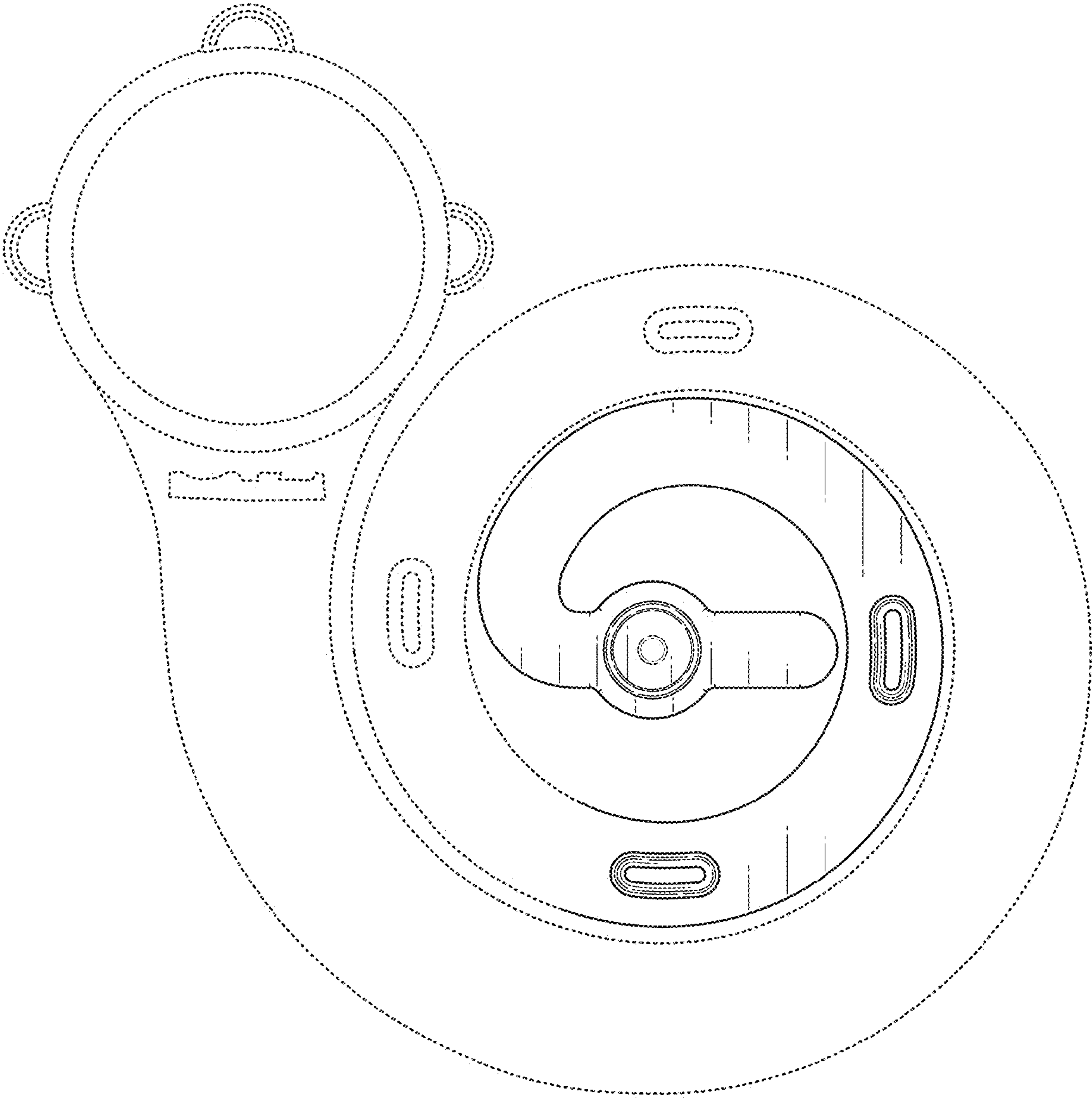


Fig. 5

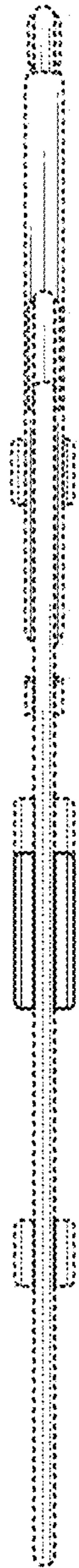


Fig. 6

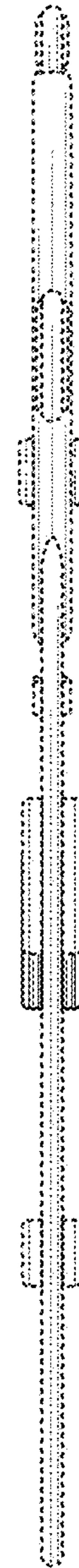


Fig. 7

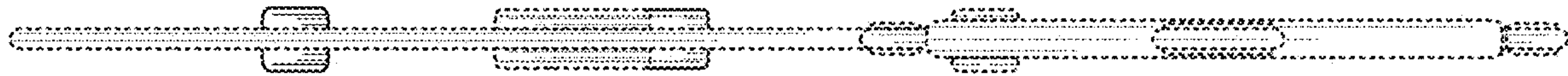


Fig. 8

Fig. 9

